

Katalog części zamiennych opryskiwacz samobieżny

HERKULES



KUJAWSKA FABRYKA MASZYN ROLNICZYCH sp. z o.o.

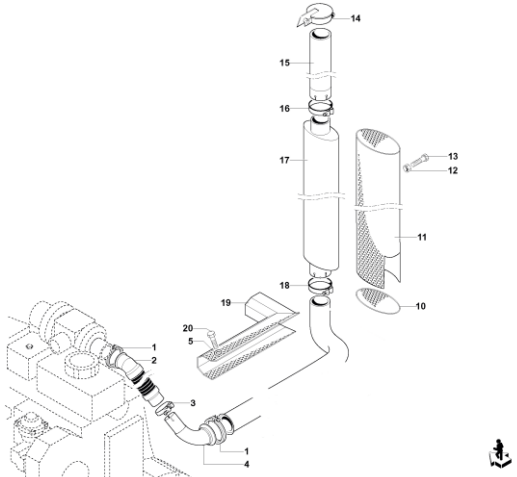
ul. Kolejowa 54 87-880 Brześć Kujawski

tel.054/2521027

fax 054/2521054

Numer porządkowy

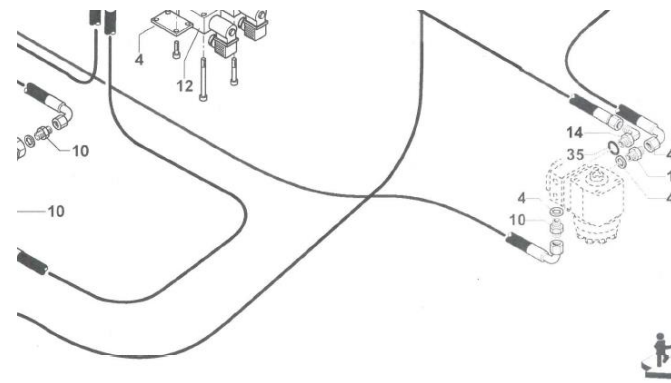
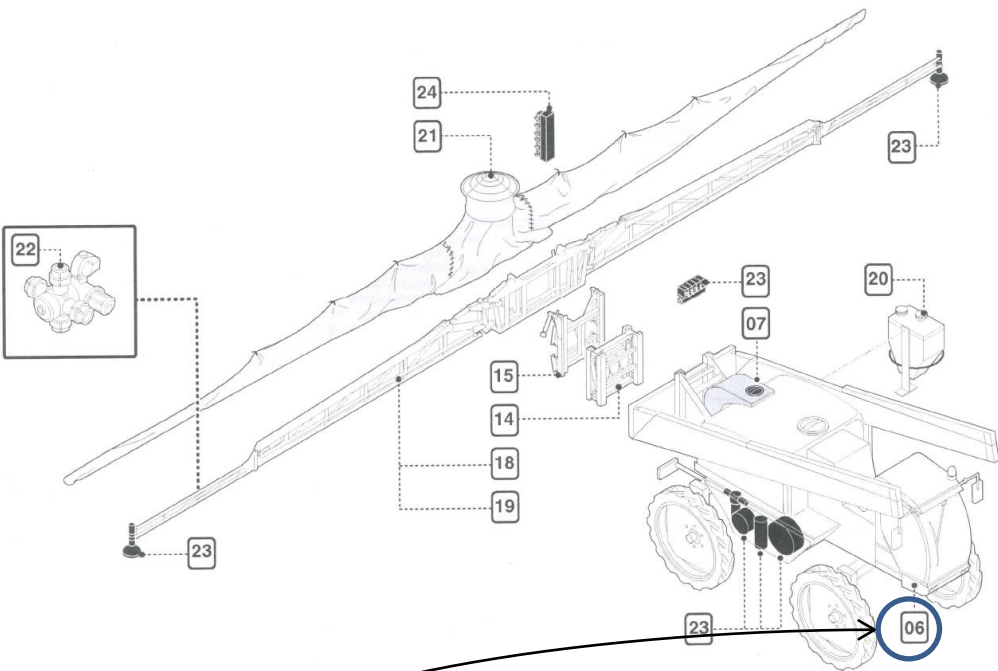
Numer katalogowy



| | |
|----|--------------|
| 1 | BG007922 |
| 2 | BG001962 |
| 3 | BB50145114 |
| 4 | BG021091 |
| 5 | BB50121006 |
| 6 | BB50121010 |
| 7 | BB50111357 |
| 8 | BB50101010 |
| 9 | BG014383 |
| 10 | BG005257 |
| 11 | BG005869 |
| 12 | BB50101008 |
| 13 | BB50111341 |
| 14 | BBJD11313 |
| 15 | BB2050204004 |
| 16 | BB50145119 |
| 17 | BBJD10303 |
| 18 | BB50145120 |
| 19 | BG005064 |
| 20 | BB50111327 |
| 21 | - |

01.03.01

Numer rysunku



- 41 BB50111339
- 42 BB50121108
- 43 BG002934
- 46 BB50201111
- 47 VV001814
- 49 BB50112034
- 52 BB50201119
- 54 BB50112054
- 55 BB50121012
- 56 BB50111069

06 15 05 06 00

06 15 05 06 00

| | |
|--|-----------------------------------|
| 01.17.01- Układ kierowniczy typu Classic z ręcznym rozstawem kół | 01.47.01- Układ hydrauliczny pom |
| 01.18.01- Hydrauliczna regulacja rozstawu kół z kabiny | 01.48.01- Układ hydrauliczny zawr |
| 01.19.01- Siłownik podnoszenia równoległoboku | 01.49.01- System hydrauliczny tur |
| 01.20.01- Układ hydrauliczny Gr2 (z wahaczem typu Classic) | 01.50.01- Układ hydrauliczny pom |
| 01.21.01- Kabina | 01.51.01- Układ hydrauliczny podr |
| 01.22.01- Układ elektryczny kabiny | 01.52.01- Układ hydrauliczny podr |
| 01.23.01- Tablica rozdzielcza | 01.53.01- Układ hydrauliczny podr |
| 01.24.01- Lampa oświetleniowa | 01.54.01- Siłownik unoszenie rozw |
| 01.25.01- Siłownik podnoszenia schodów | 01.55.01- Bęben węża (manualny) |
| 01.26.01- Rama | 01.56.01- Układ hydrauliczny bębn |
| 01.27.01- Osłony | 01.57.01- Układ elektryczny II |
| 01.28.01- Pokrywa silnika | |
| 01.29.01- Mocowanie silnika z pompom | |
| 01.30.01- Układ chłodzenia silnika | |

06.Opryskiwacz samojezdny –główne elementy

07.Wyposażenie opryskiwacza

20.Rozwadniacz boczny

15.Belka środkowa

24. Elementy układu hydraulicznego

23.Pompa POLY 2400

18.Belka

22.Głowica opryskiwacza

06-.Opryskiwaacz samojezdny –główne elementy

| | |
|---|---|
| 06 02 04 03 - Filtr powietrza | 06 15 03 03 01 –Oś przednia |
| 06 02 03 03 03- Siłownik zawieszenia przód | 06 15 03 04 01 –Oś tylna |
| 06 02 03 06 01- System zawieszenia tył | 06 15 03 05 00 –Koło |
| 06 02 03 07 00- Siłownik podnoszenia maszyny | 06 15 03 06 01 –Siłownik regulacji wysokości |
| 06 02 11 01 03- Kabina | 06 15 03 07 01 –Oś przednia (4RM) |
| 06 11 05 11 00- Siłownik podnoszenia schodów | 06 15 04 01 00 –Układ napędowy przód |
| 06 12 03 07 02- Siłownik podnoszenia | 06 15 04 02 00 –Układ napędowy tył |
| 06 12 05 11 01 –Siłownik podnoszenia równoległoboku | 06 15 04 04 00 - Układ napędowy tył (4RM) |
| 06 13 05 01 01 - Zbiornik oleju | 06 15 04 05 00 –Układ napędowy kół przednich |
| 06 14 11 05 00 - Tablica rozdzielcza | 06 15 04 06 00 –Układ hydrauliczny (4RM) |
| 06 15 01 01 01 –Rama | 06 15 04 07 00 –Układ hydrauliczny hamulca |
| 06 15 01 02 01 -Ostony | 06 15 05 02 01 –Chłodnica oleju |
| 06 15 01 03 01 –Podnoszenie równoległoboku | 06 15 05 03 00 –Układ hydrauliczny równoległoboku |
| 06 15 02 01 01 –Mocowanie silnika z pompom | 06 15 05 04 00 –Rozdzielacz elektrohydrauliczny |
| 06 15 02 02 01 –Układ chłodzenia silnika | 06 15 05 05 00 –Instalacja hydrauliczna pompy |
| 06 15 02 03 00 –Układ wydechowy | 06 15 05 06 00 –Układ hydrauliczny wspomagania kierownicy |
| 06 15 02 04 00 –Sprężarka klimatyzacji | 06 15 12 01 01 –Układ elektryczny 1 |
| 06 15 02 05 00 –Zbiornik paliwa | 06 15 12 01 01 –Układ elektryczny 2 |
| 06 15 02 06 01 –Ostona silnika | 06 15 12 03 00 –Układ elektryczny 3 |
| 06 15 03 01 01 –Układ zawieszenia przód | |
| 06 15 03 02 00 –Układ kierowniczy | |

07. Wyposażenie opryskiwacza

| | |
|------------------------------------|--|
| 07 01 03 01 03 –Wskaźnik cieczy | 07 10 01 –Kolektor z zaworem odprowadzającym ciśnienie |
| 07 02 01 –Płóczki zbiornika | 07 11 01 -Sekcje zaworu |
| 07 04 14 01 –Zbiornik główny | 07 12 01 0-Filtr zaworu |
| 07 04 06 01 –Zbiornik czystej wody | 07 13 01 -Zawór główny z regulatorem |
| 07 04 06 04 –Zbiornik mycia rąk | 07 14 01 -Przepływomierz turbinkowy |
| 07 04 01 01 –Pompa samozasysająca | 07 15 01 -Zawór przeciwwrotny ARAG |
| 07 05 03 01 –Filtr 2” | 07 16 01 --Sekcje dodatkowe |
| 07 08 01 –Mieszadło zbiornika | 07 17 01 -Licznik tankowania |
| 07 09 01 -Zawór główny | |

03. Rozwadniacz boczny

| | |
|--|--|
| 20.01.01- Układ cieczowy rozwadniacza | 20.09.01 Układ myjący zbiornik rozwadniacza |
| 20.02.01- Zbiornik rozwadniacza z osprzętem | 20.10.01 Wskaźnik poziomoci cieczy rozwadniacza |
| 20.03.01- Pokrywa rozwadniacza | 20.11.01 Spryskiwacz rozwadniacza |
| 20.04.01- Zespół zaworów rozwadniacza | 20.12.01 Wąż rozwadniacza I zawór pięciodrożny -spryskiwacz |
| 20.05.01- Mieszadło obrotowe rozwadniacza kpl. | 20.13.01 Wąż rozwadniacza II zawór pięciodrożny –rozwadniacz |
| 20.06.01 - Mieszadło wewnętrzne rozwadniacza | 20.14.01 Wąż rozwadniacza III regulator ciśnienia – zespół zaworów górnych |
| 20.07.01 - Króciec spustowy rozwadniacza | 20.15.01 Wąż rozwadniacza IV zawór – układ myjący zbiornik |
| 20.08.01 Ssawka rozwadniacza | |

04. Pompa

| | |
|--------------------------|--|
| 04.01.01-Pompa Poly 2400 | |
|--------------------------|--|

18. Belka

| | |
|------------------|--|
| 18.01.01 - Belka | |
|------------------|--|

24. Elementy układu hydraulicznego

| | |
|--|-----------------------------------|
| 24.01.01- Rozdzielacz elektrohydrauliczny (ARON) | 24.02.01-Zamek zwrotny bliźniaczy |
|--|-----------------------------------|

22. Osprzęt rurki

| | |
|--|------------------------|
| 08.01.01. Głowica opryskiwacza „KRUKOWIAK” | 08.02.01-Osprzęt rurki |
|--|------------------------|

Opis symboli



-Numer katalogowy zespołu

2RS-dwa koła skrętne

4RS-cztery koła skrętne

AFT-po roku

ALT-wysokość od podłoża

ANT-przód

BFR-przed rokiem

AVP-bęben na wąż na błotniku

BNA-rama bez amortyzacji

CAR-rozstaw

CER-zawias

Dx-prawa części

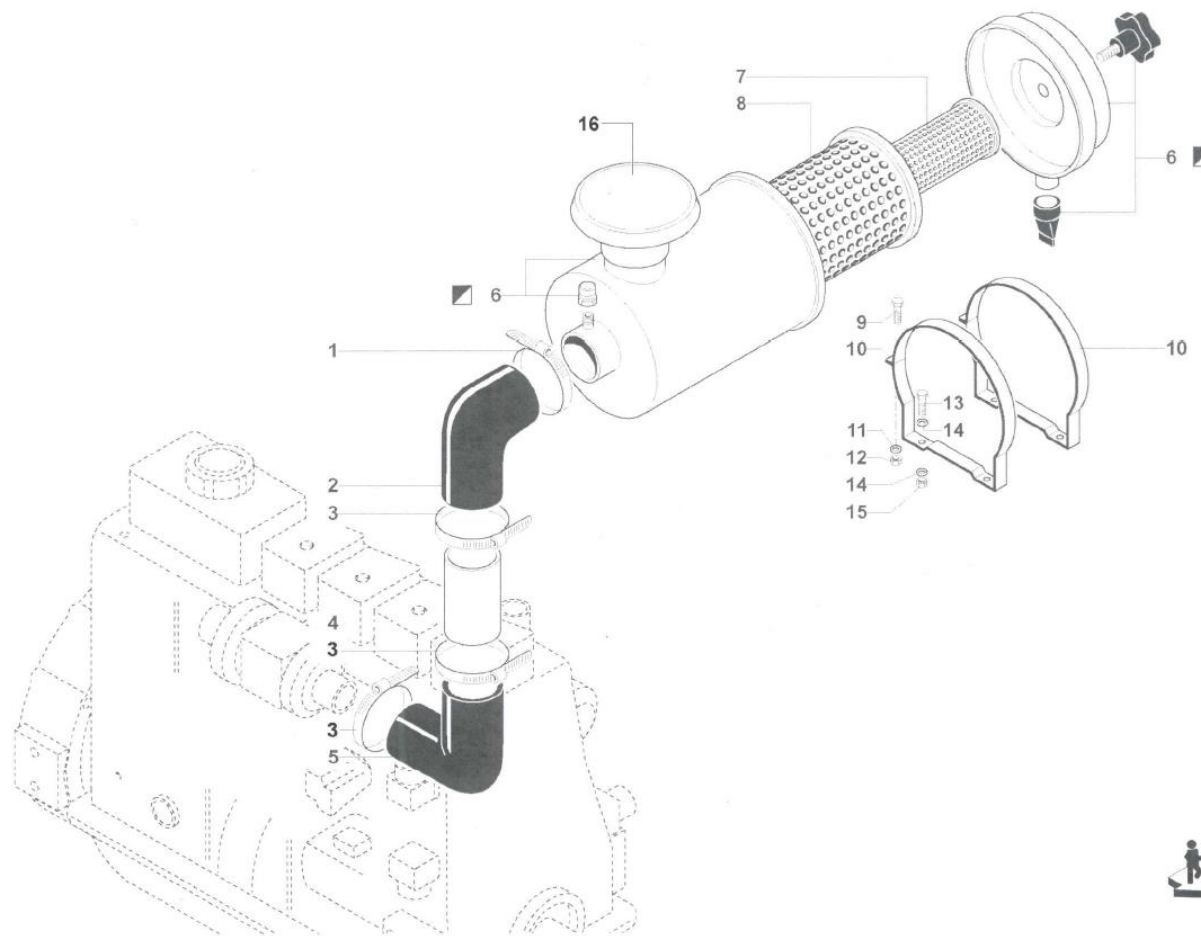
Sx-lewa części

KAA-wersja z rękawem powietrznym

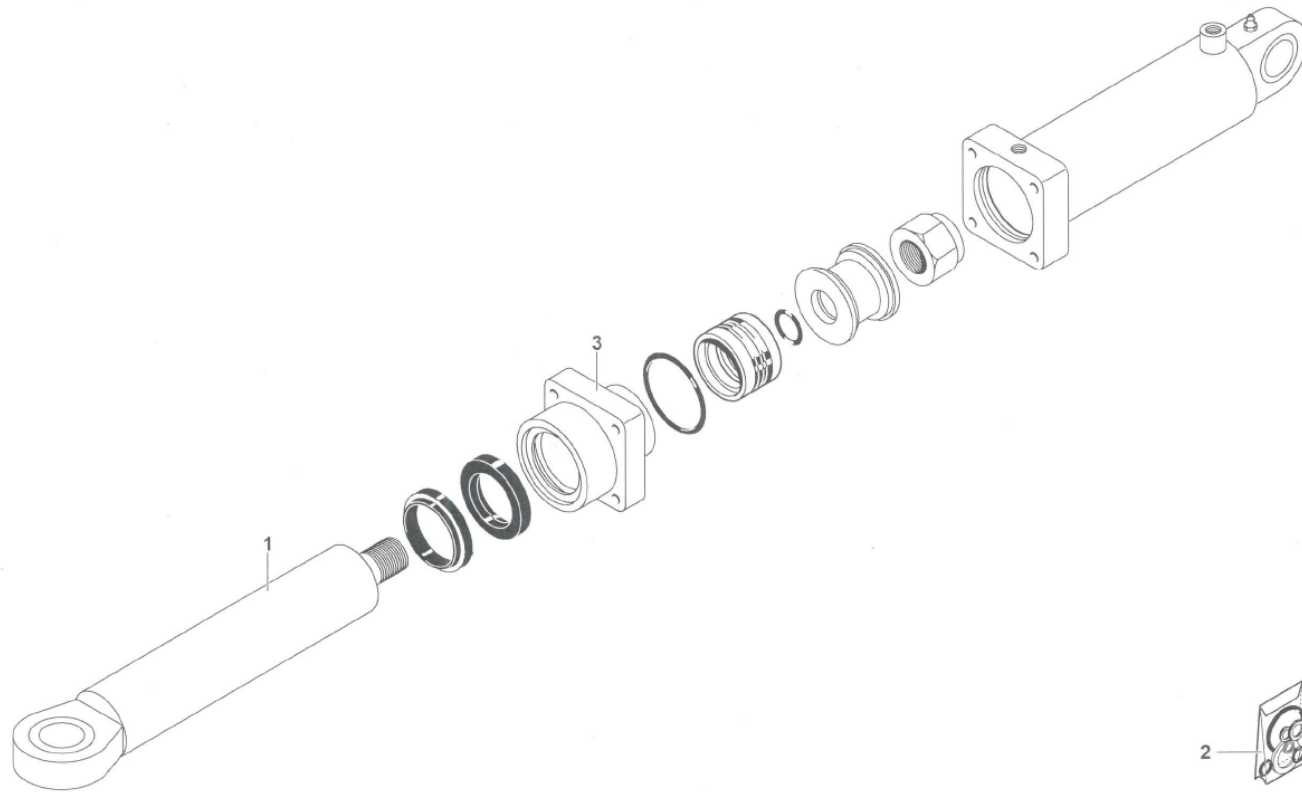
RCA –regulacja z kabiny

RMA –regulacja ręczna

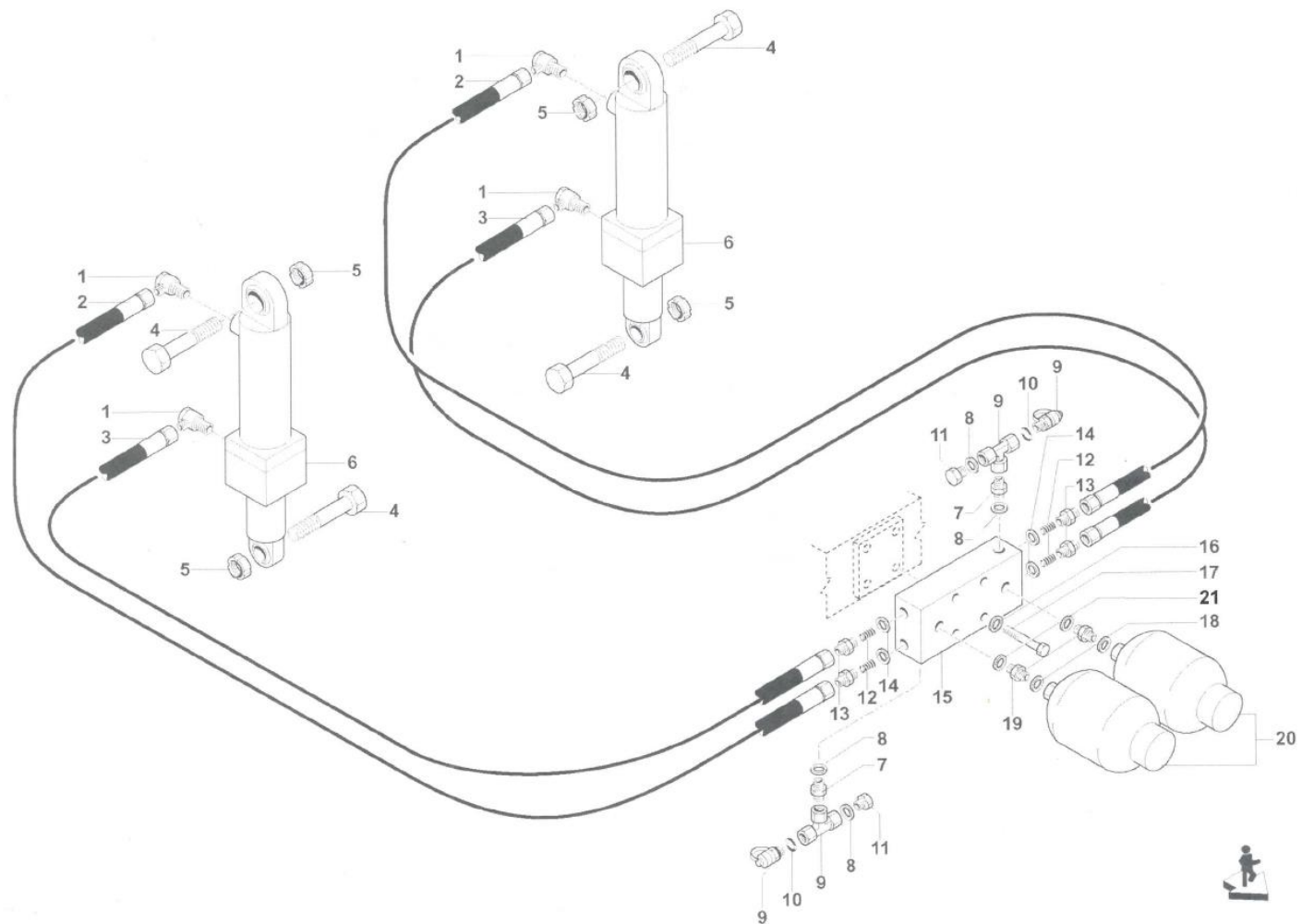
PST -tył



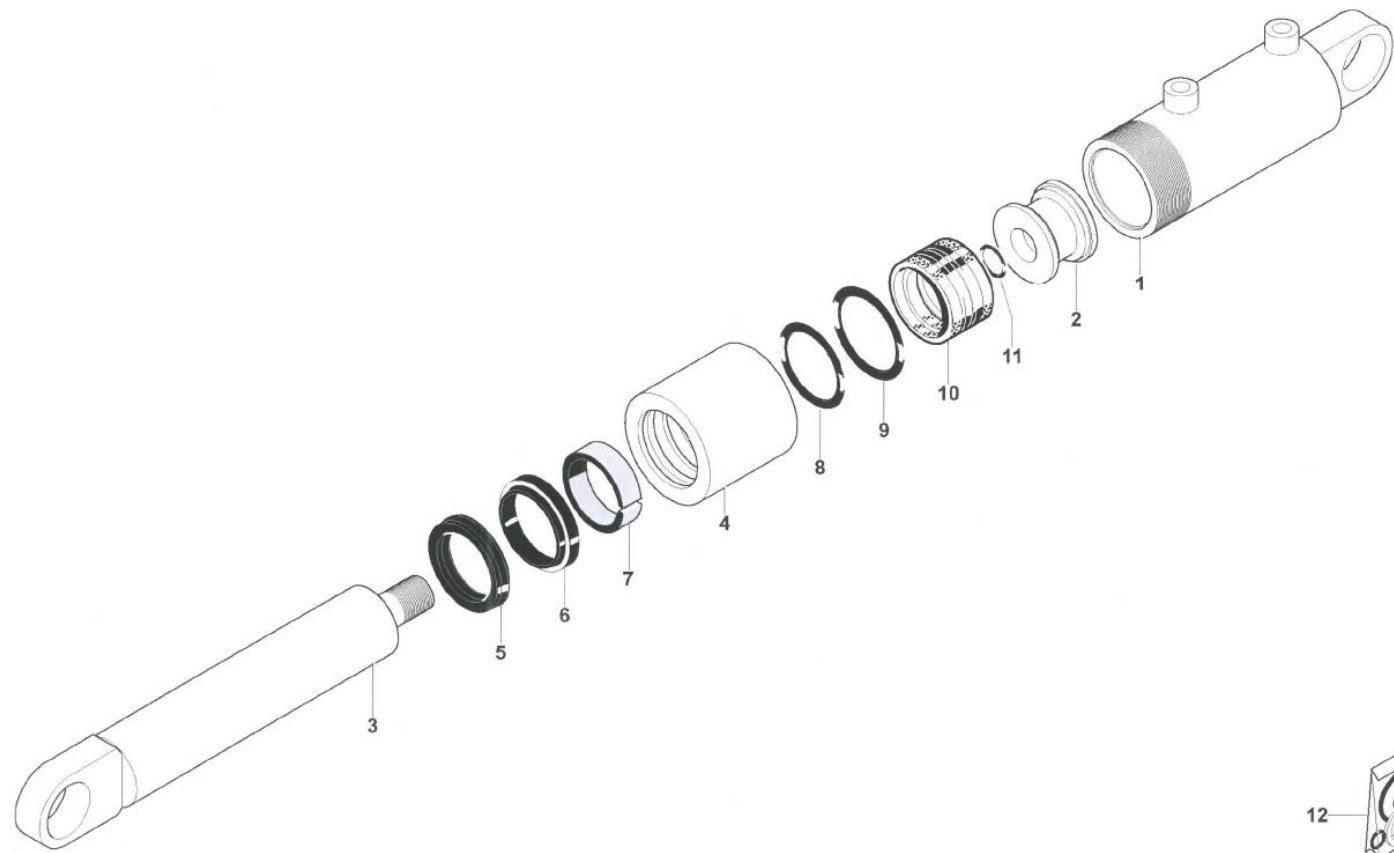
- 1 BB50145062/2
- 2 BG008641
- 3 BB50145062
- 4 BG018703
- 5 BB41810107
- 6 BG022608
- 7 BG026745
- 8 BG026746
- 9 BB50111345
- 10 BG022610
- 11 BB50121008
- 12 BB50101008
- 13 BB50111356
- 14 BB50121010
- 15 BB50101010
- 16 BG022609



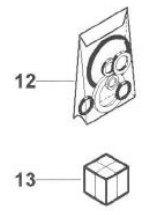
| | | |
|---|----------|-----|
| 1 | VV000524 | |
| 2 | VV001659 | OLD |
| 2 | BG028087 | NEW |
| 3 | BG028095 | |



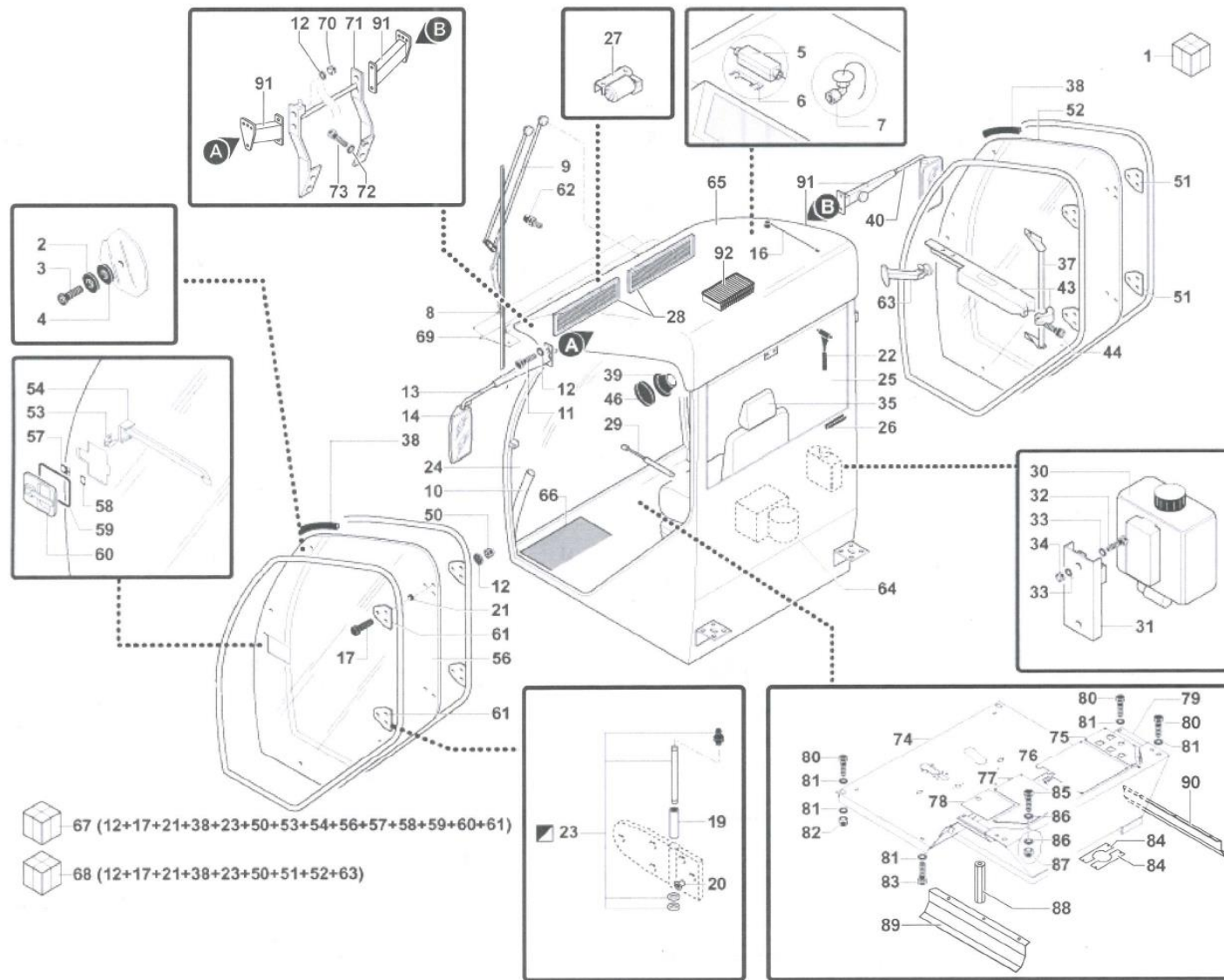
- 1 BG003986
- 2 BB5163153062
- 3 BG001861
- 4 BG000573
- 5 BB50149325
- 6 VV000525
- 7 BB50223002
- 8 BB50243113
- 9 BB30937021
- 10 BB50201111
- 11 BB50229202
- 12 BB30940601
- 13 BB50223003
- 14 BB50243117
- 15 BB30940610
- 16 BB50121008
- 17 BB50111035
- 18 BB50243118
- 19 BB50223234
- 20 BB30940610/2
- 21 BB50243121





| | | |
|----|------------|--|
| 1 | VV000922 | |
| 2 | VV000923 | |
| 3 | VV000921 | |
| 4 | VV000924 | |
| 5 | BB50212024 | |
| 6 | BB50205085 | |
| 7 | BB50215018 | |
| 8 | BB50201235 | |
| 9 | BB50201846 | |
| 10 | BB50207027 | |
| 11 | BB50201221 | |
| 12 | VV001658 | |
| 13 | VV000525 | |



33209908100 55



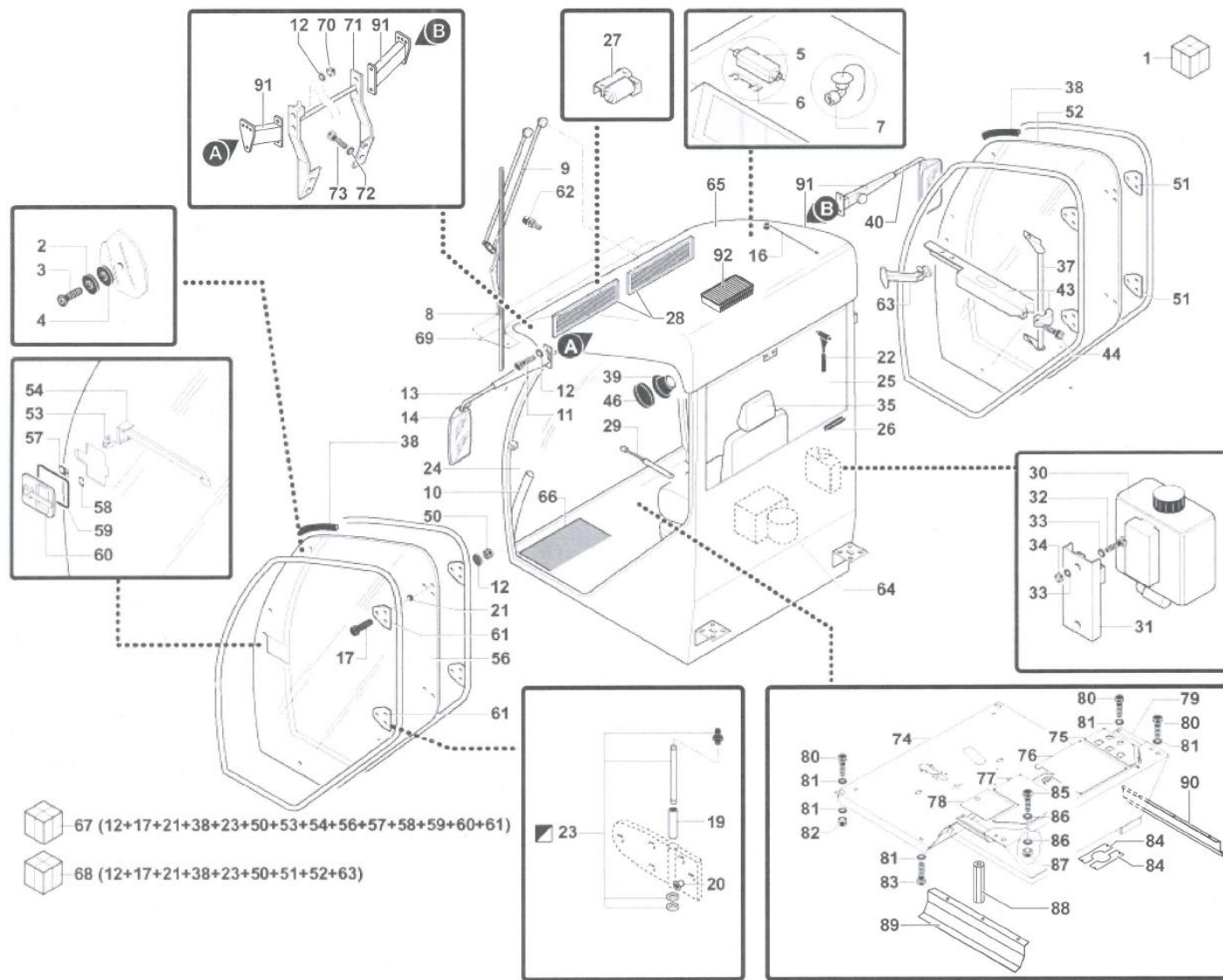
-  67 (12+17+21+38+23+50+53+54+56+57+58+59+60+61)
-  68 (12+17+21+38+23+50+51+52+63)


| | |
|----|------------|
| 1 | BG018728 |
| 2 | FG-2000165 |
| 3 | BB50112056 |
| 4 | FG-2008800 |
| 5 | BB50316011 |
| 6 | BB50399955 |
| 7 | BB20216113 |
| 8 | BG029319 |
| 9 | BG029320 |
| 10 | FG-2003043 |
| 11 | BB50111344 |
| 12 | BB50121008 |
| 13 | BG021188 |
| 14 | BG009893 |
| 15 | FG-2008043 |
| 16 | FG-2000606 |
| 17 | FG-2001504 |
| 18 | FG-2002319 |
| 19 | FG-3100096 |
| 20 | FG-3102461 |
| 21 | FG-3101866 |
| 22 | FG-2004516 |
| 23 | FG-2006008 |
| 24 | BG016333 |
| 24 | BG028208 |
| 25 | BG016332 |
| 26 | FG-2010100 |
| 27 | FG-2000077 |
| 28 | BG020471 |
| 29 | BG028916 |
| 30 | BG003990 |
| 31 | BG003992 |
| 32 | BB50111317 |
| 33 | BB50121005 |
| 34 | BB50101005 |
| 35 | BB40608000 |
| 35 | BB40609000 |
| 36 | BG008719 |
| 37 | BG009108 |
| 38 | FG-2010120 |
| 39 | FG-2000607 |
| 40 | BG009893 |
| 41 | BG009891 |
| 42 | BG016330 |
| 43 | BG006143 |
| 44 | BB50112037 |
| 45 | BG011267 |
| 46 | FG-2000608 |
| 47 | BG011268 |
| 48 | FG-2002317 |

Forg.
Ped.

Ped.

SMC
SPN

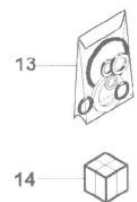
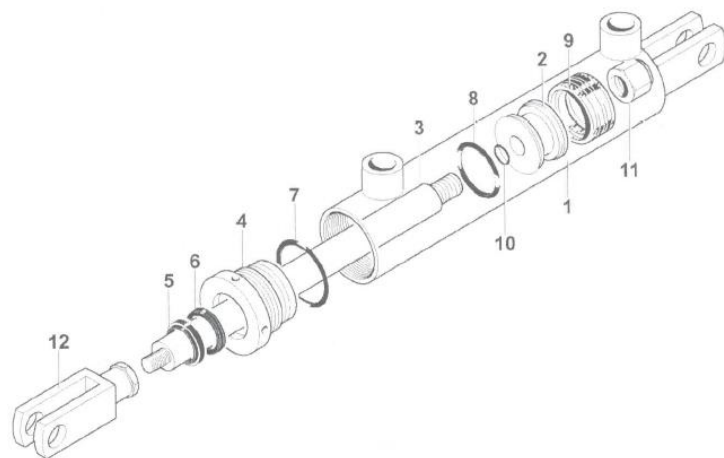


 67 (12+17+21+38+23+50+53+54+56+57+58+59+60+61)

 68 (12+17+21+38+23+50+51+52+63)

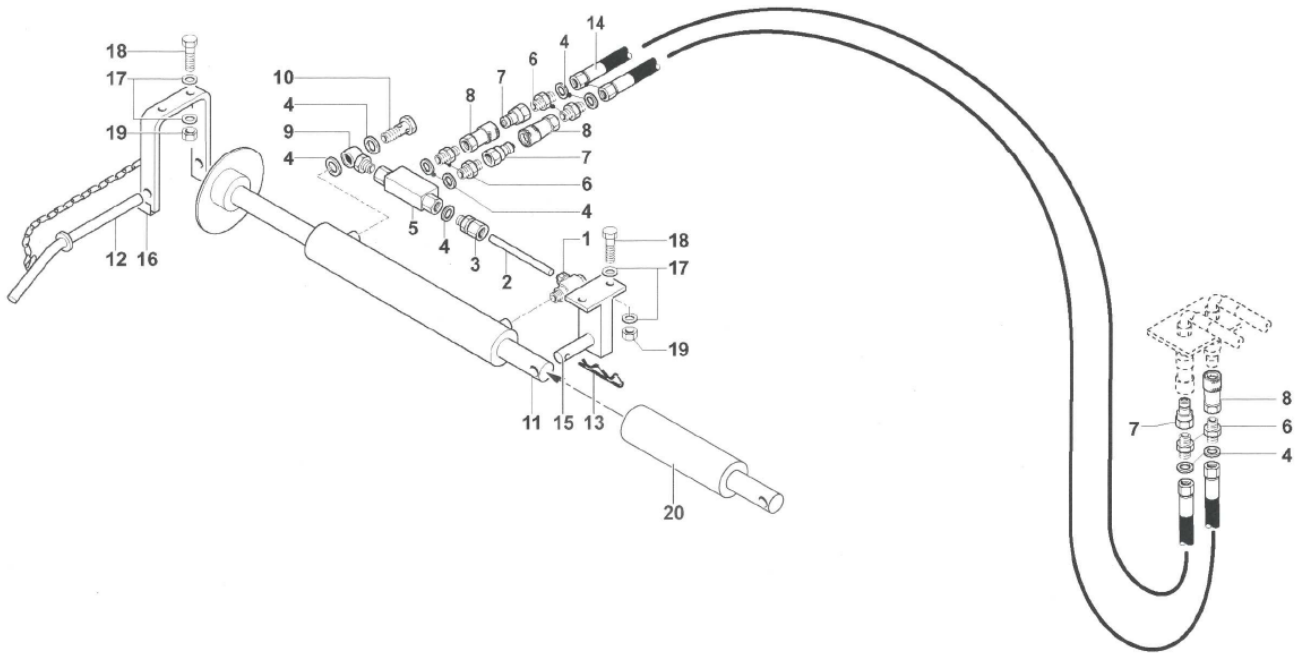
| | | |
|----|------------|---------------------|
| 49 | FG-2002311 | |
| 50 | BB50101008 | |
| 51 | FG-3112416 | Dx Forg. Ped. |
| 52 | BG016331 | |
| 52 | BG027826 | |
| 53 | FG-2005611 | |
| 54 | FG-2005536 | |
| 55 | BG016330 | Sx Forg. Ped. |
| 56 | BG015713 | |
| 56 | BG026564 | |
| 57 | FG-3103048 | |
| 58 | FG-3103049 | |
| 59 | FG-3103047 | |
| 60 | FG-2005590 | |
| 61 | FG-3112416 | |
| 62 | BG015663 | |
| 63 | BG010016 | |
| 64 | BG013537 | |
| 65 | FG-3112275 | |
| 66 | BB40704552 | |
| 67 | BG014007 | Sx Dx |
| 68 | BG017033 | |
| 69 | BG016896 | |
| 70 | BB50101008 | |
| 71 | BG016897 | |
| 72 | BB50121012 | |
| 73 | BB50111370 | |
| 74 | BG026112 | |
| 75 | VV001193 | |
| 76 | VV001192 | |
| 77 | VV001194 | |
| 78 | VV001195 | |
| 79 | BG016584 | |
| 80 | BB50111357 | |
| 81 | BB50121010 | |
| 82 | BB50101010 | |
| 83 | BB50111355 | |
| 84 | BG002275 | |
| 85 | BB50111037 | |
| 86 | BB50121008 | |
| 87 | BB50101008 | |
| 88 | BG003946 | |
| 89 | VV002212 | |
| 90 | VV002211 | |
| 91 | BG021189 | |
| 92 | BG026357 | |

VER 2011



| | |
|----|------------|
| 1 | BG013230 |
| 2 | BG013234 |
| 3 | BG013231 |
| 4 | BG013235 |
| 5 | BB50212000 |
| 6 | BG013249 |
| 7 | BB50201213 |
| 8 | BG013248 |
| 9 | BG013250 |
| 10 | BB50201012 |
| 11 | BB50103210 |
| 12 | BB50162014 |
| 13 | BG013247 |
| 14 | BG013229 |

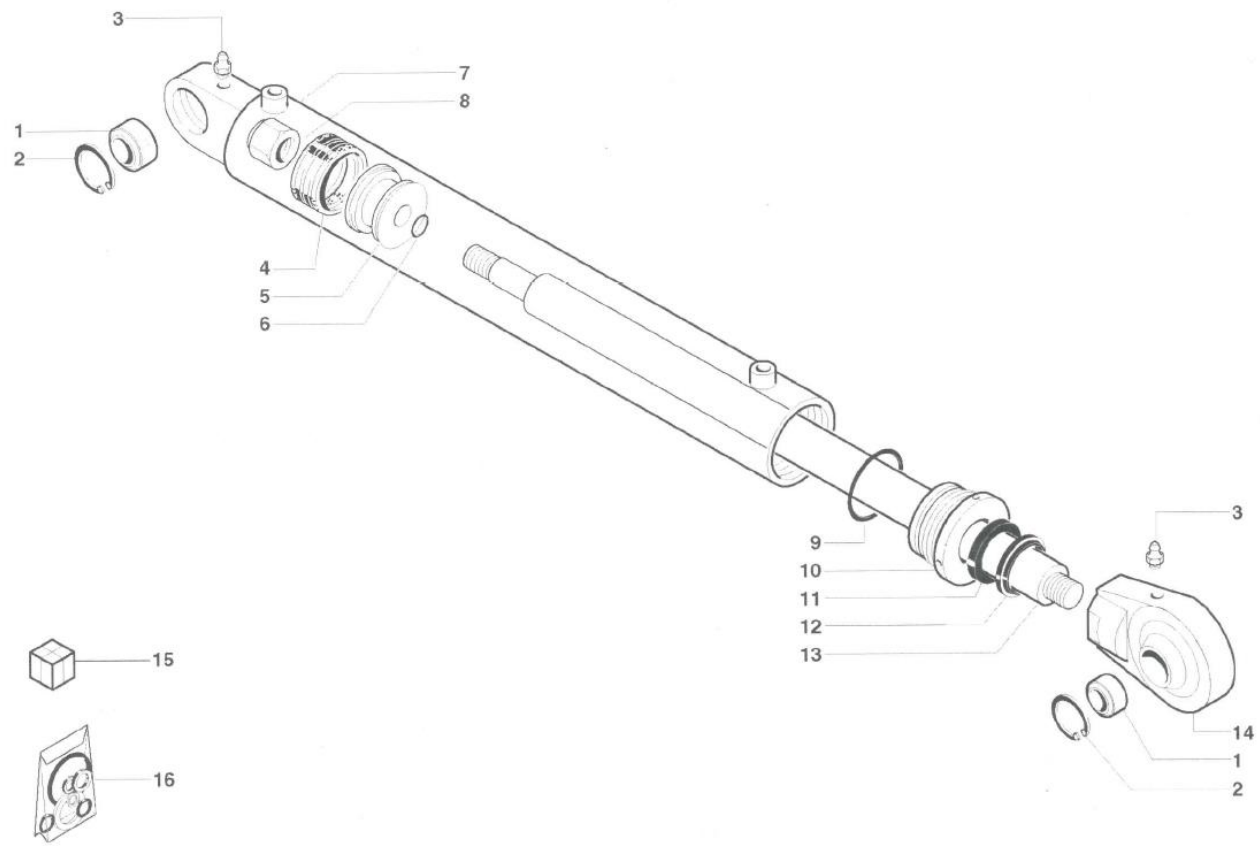
06 11 05 11 00



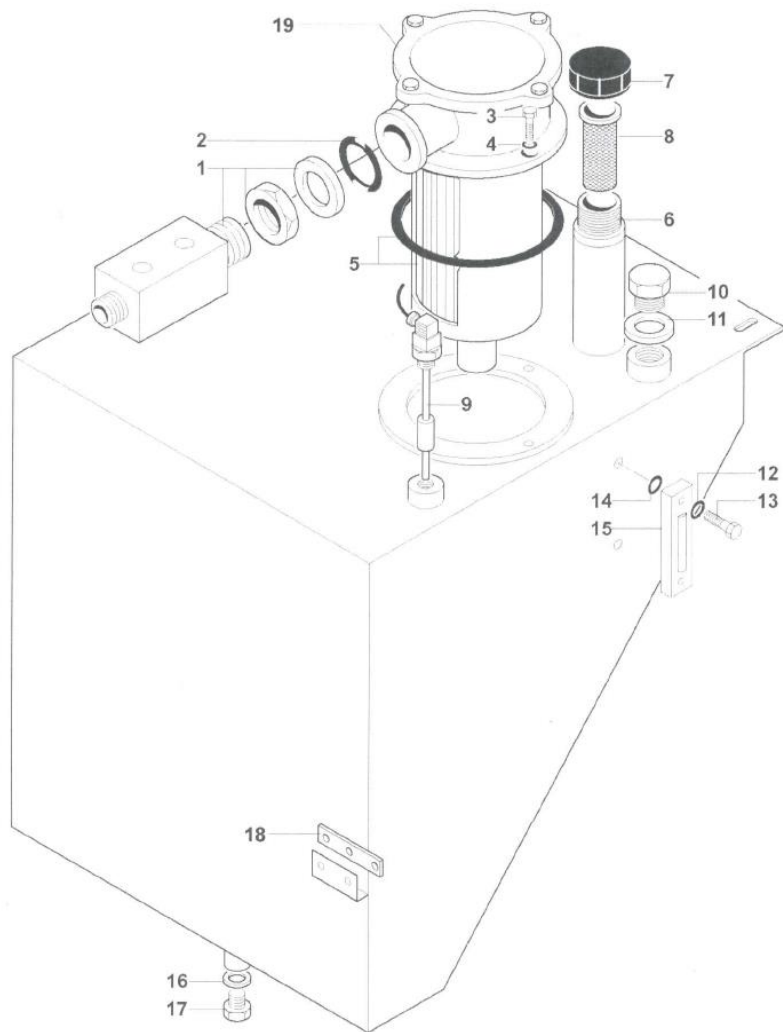
- | | |
|----|---|
| 1 | BG003986 |
| 2 | BB2050902002 |
| 3 | BB50254002 |
| 4 | BB50243113 |
| 5 | BB30942200 |
| 6 | BB50223002 |
| 7 | BG001324 |
| 8 | BG001327 |
| 9 | BB50286002 |
| 10 | BB50232102 |
| 11 | BG003019 |
| 12 | BG009224 |
| 13 | BB50131010 |
| 14 |  |
| 15 | BG009222 |
| 16 | BG009223 |
| 17 | BB50121008 |
| 18 | BB50111340 |
| 19 | BB50101008 |
| 20 | BG024295 |



36813601400 517

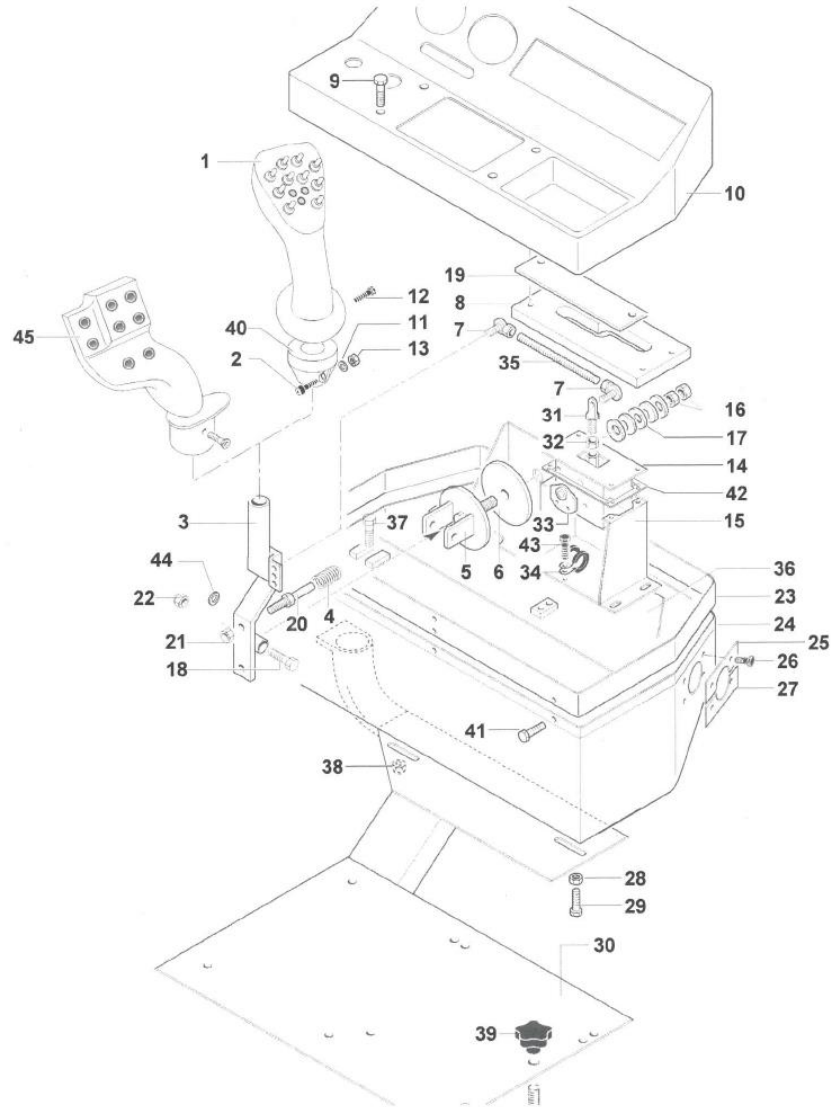


| | |
|----|----------------|
| 1 | BB41253030 |
| 2 | BB50136047 |
| 3 | BB50144001 |
| 4 | BB50207023 |
| 5 | BB50219155/1 |
| 6 | BB50201118 |
| 7 | BB2051106001 |
| 8 | BB50101220 |
| 9 | BB50201832 |
| 10 | BB2943506000 |
| 11 | BB50205048 |
| 12 | BB50218002 |
| 13 | BB2051106002 |
| 14 | BB41253030V |
| 15 | BB2051106000 |
| 16 | BB2501607010/1 |

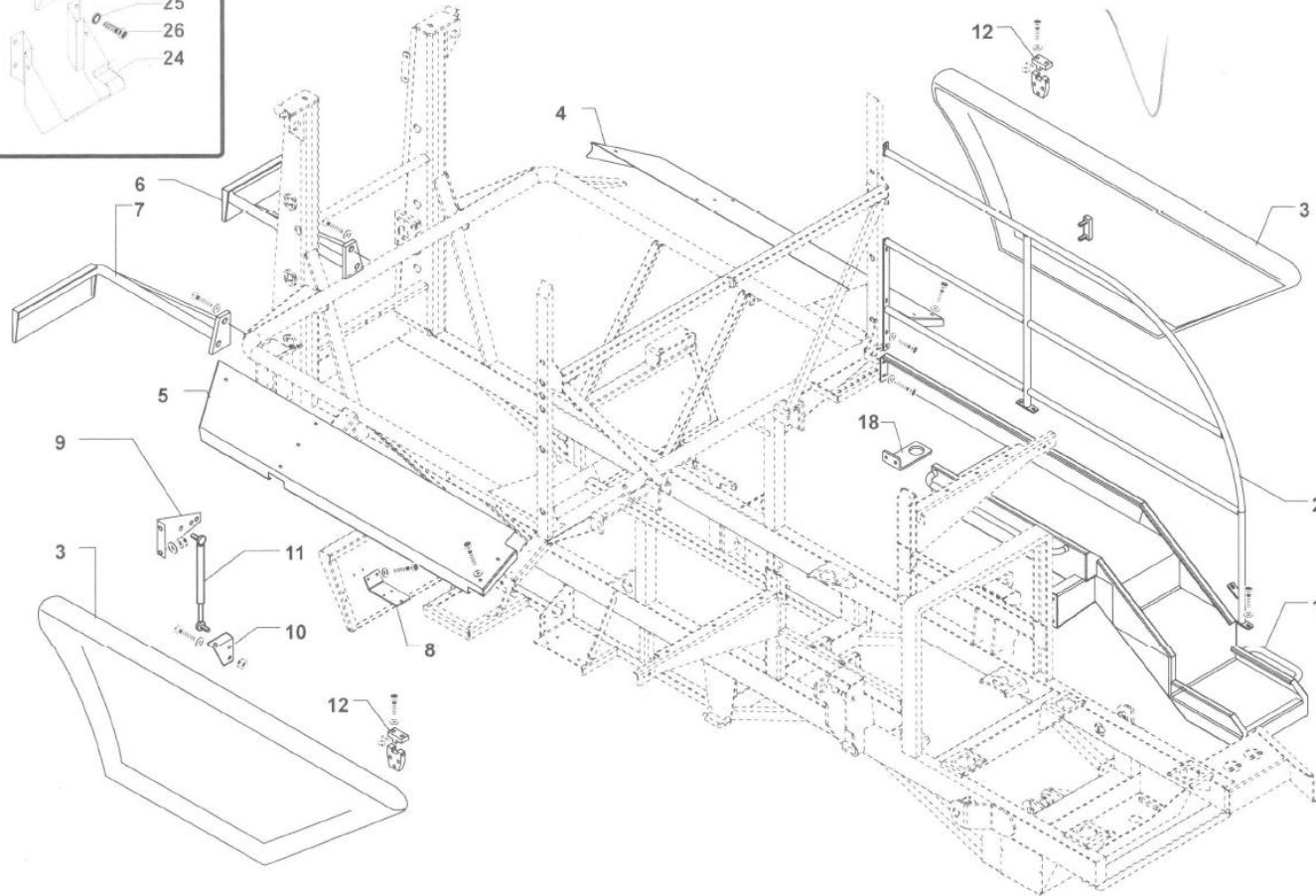
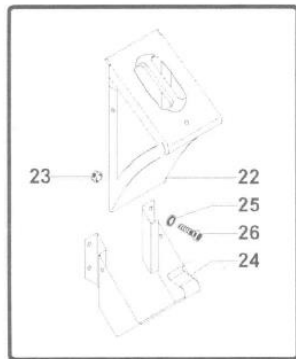


| | |
|----|------------|
| 1 | BG014323 |
| 2 | BB50201222 |
| 3 | BB50111355 |
| 4 | BB50121010 |
| 5 | BG017923 |
| 6 | BG012267 |
| 7 | BB41902100 |
| 8 | BB41902102 |
| 9 | BB50357000 |
| 10 | BB50229207 |
| 11 | BB50243142 |
| 12 | BB50200183 |
| 13 | BB42001001 |
| 14 | BB50201116 |
| 15 | BB42001000 |
| 16 | BB50243121 |
| 17 | BB50229204 |
| 18 | BG021242 |
| 19 | BG012015 |

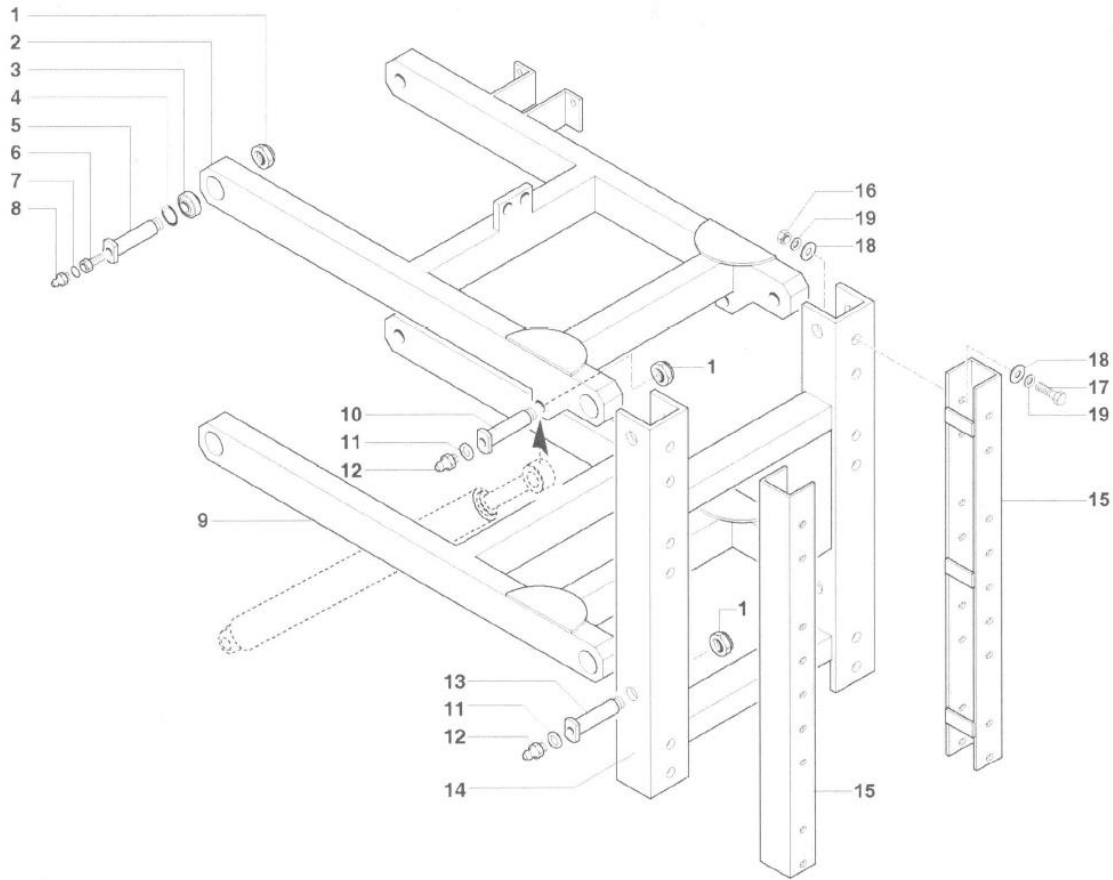




| | |
|----|-------------|
| 1 | VV001240 |
| 2 | BB50112038 |
| 3 | BG006394 |
| 4 | BB50143020 |
| 5 | BG006389 |
| 6 | BG006392 |
| 7 | BB41235006 |
| 8 | BG006046 |
| 9 | BG003228 |
| 10 | BG022384 |
| 11 | BB50121006 |
| 12 | BB50113210 |
| 13 | BB50101106 |
| 14 | BG023286 |
| 15 | BG006393 |
| 16 | BB50103210 |
| 17 | GG911634920 |
| 18 | BB50111050 |
| 19 | BG005385 |
| 20 | BG006395 |
| 21 | BB50103210 |
| 22 | BB50101010 |
| 23 | BG022496 |
| 24 | BG022385 |
| 25 | BG000059 |
| 26 | BB50114215 |
| 27 | BG000060 |
| 28 | BB50121110 |
| 29 | BB50111355 |
| 30 | BG022392 |
| 31 | BG008474 |
| 32 | BB50103206 |
| 33 | BG008462 |
| 34 | BB50145219 |
| 35 | BG005117 |
| 36 | BG008996 |
| 37 | BB50111357 |
| 38 | BB50155004 |
| 39 | BB50155206 |
| 40 | VV003621 |
| 41 | BG004570 |
| 42 | BG023492 |
| 43 | BB50113229 |
| 44 | BG021372 |
| 45 | BG022611 |

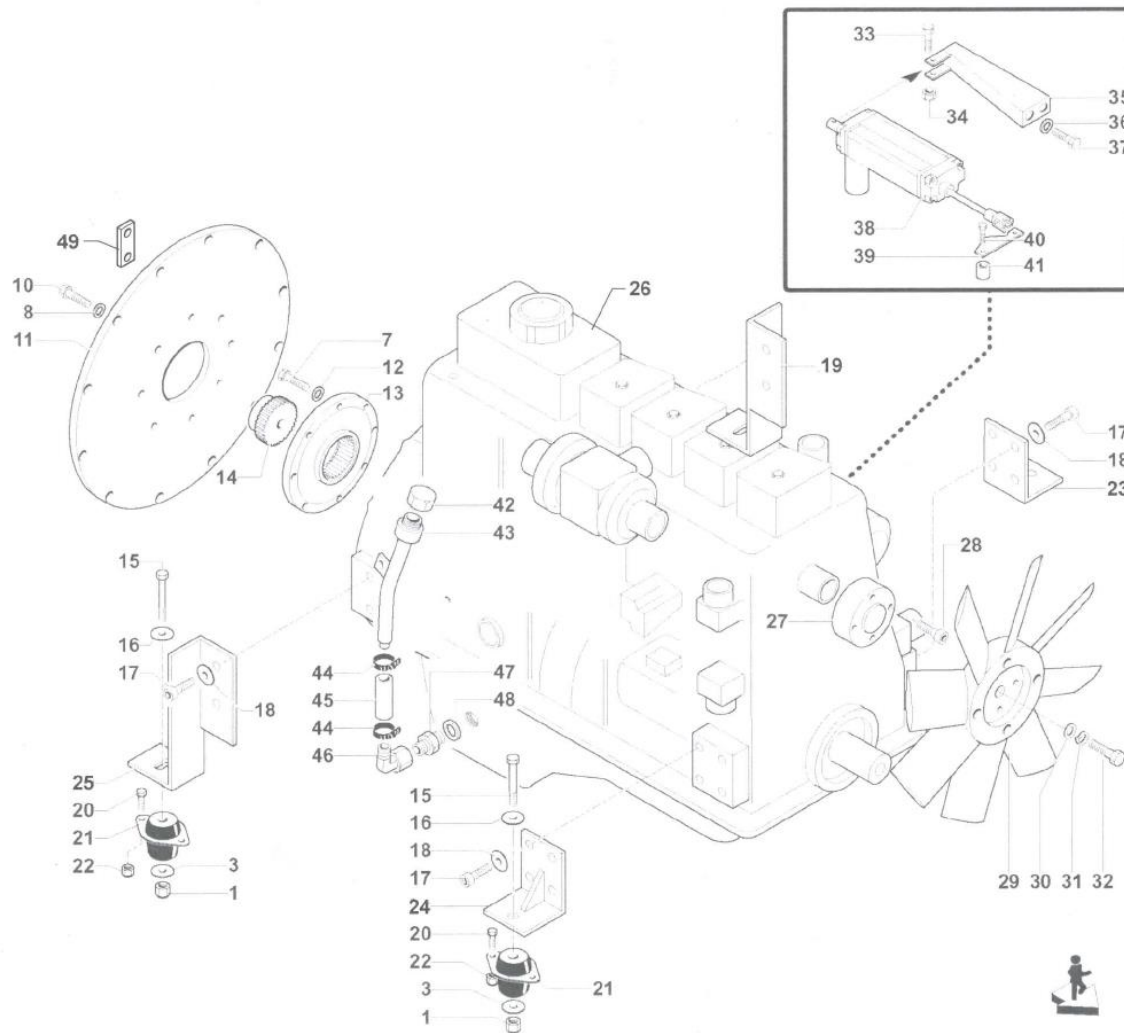


| | | |
|----|--------------|----|
| 1 | BG025104 | |
| 2 | BG025105 | |
| 3 | BG015067 | Dx |
| 3 | BG015050 | Sx |
| 4 | BG025108 | |
| 5 | BG025107 | |
| 6 | BG001791 | |
| 7 | BG001789 | |
| 8 | BG027109 | |
| 9 | BB2050101304 | |
| 10 | VV0011858 | |
| 11 | BB201150070 | |
| 12 | BB20216044 | |
| 13 | GG920100101 | |
| 14 | GG905400008 | |
| 15 | GG920100102 | |
| 16 | GG907108017Z | |
| 17 | GG900108025Z | |
| 18 | BG023203 | |

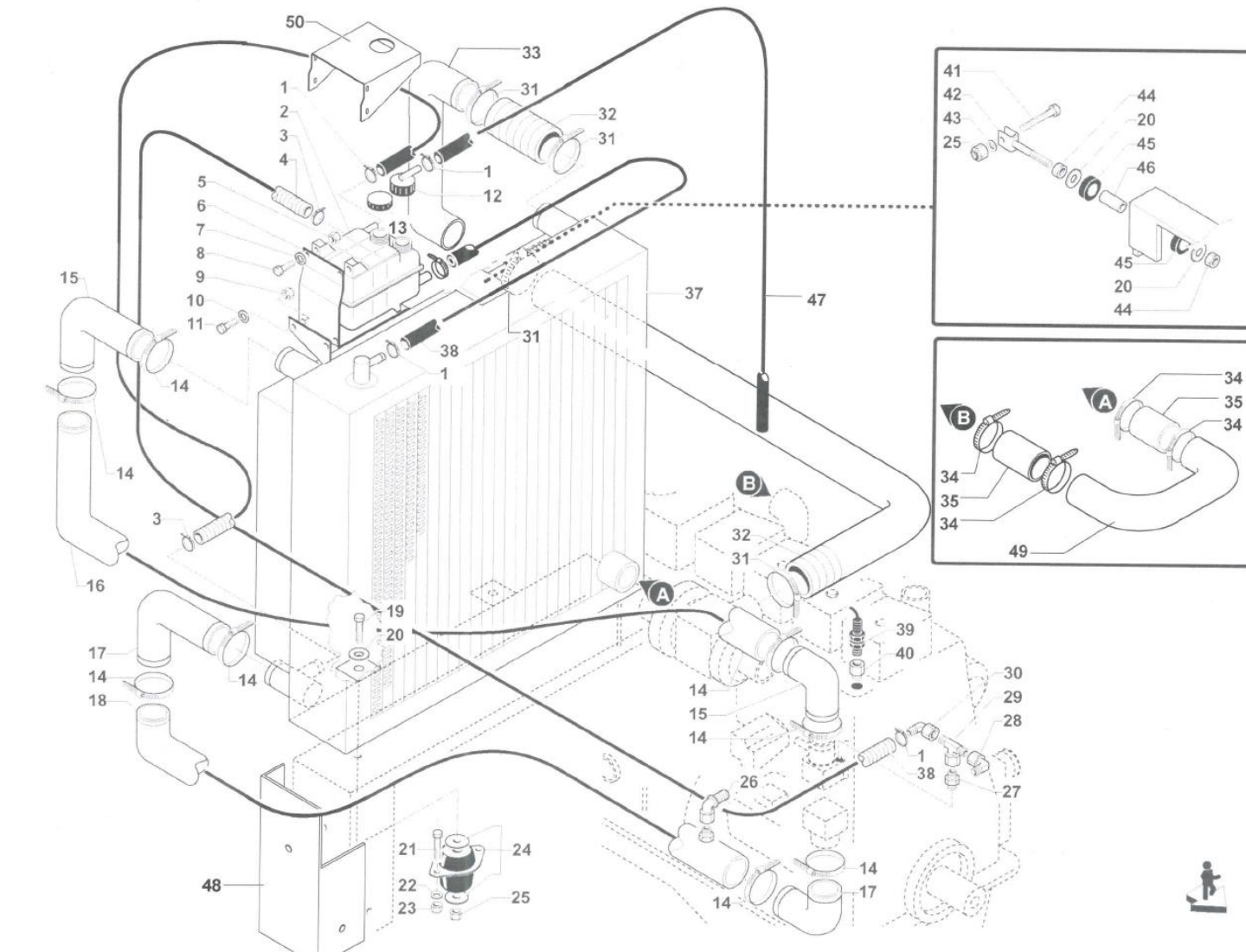


| | | |
|----|--------------|-----|
| 1 | BB50149325 | |
| 2 | BB2050102005 | |
| 3 | BB41251030 | |
| 4 | BB50135055 | |
| 5 | BB2050100011 | |
| 6 | BB20108102 | |
| 7 | BB50243108 | |
| 8 | BB50144003 | |
| 9 | BB2050102007 | |
| 10 | BB2050100012 | |
| 11 | BB50243110 | |
| 12 | BB50144007 | |
| 13 | BB2050100021 | |
| 14 | BB2050102004 | |
| 15 | BG002686 | BNA |
| 16 | GG905400012 | |
| 17 | GG900312040Z | |
| 18 | GG907112036Z | |
| 19 | GG907012025Z | |

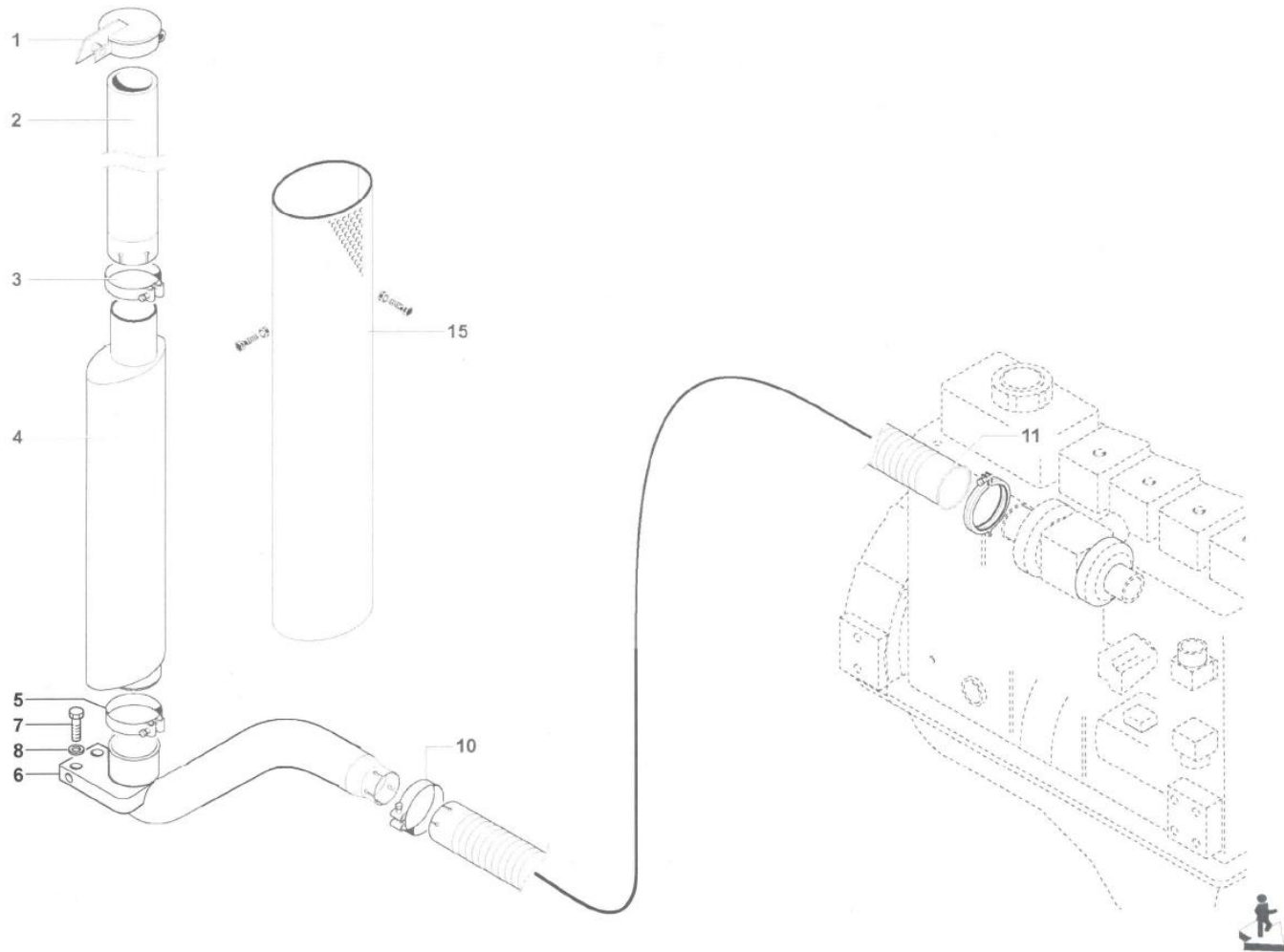




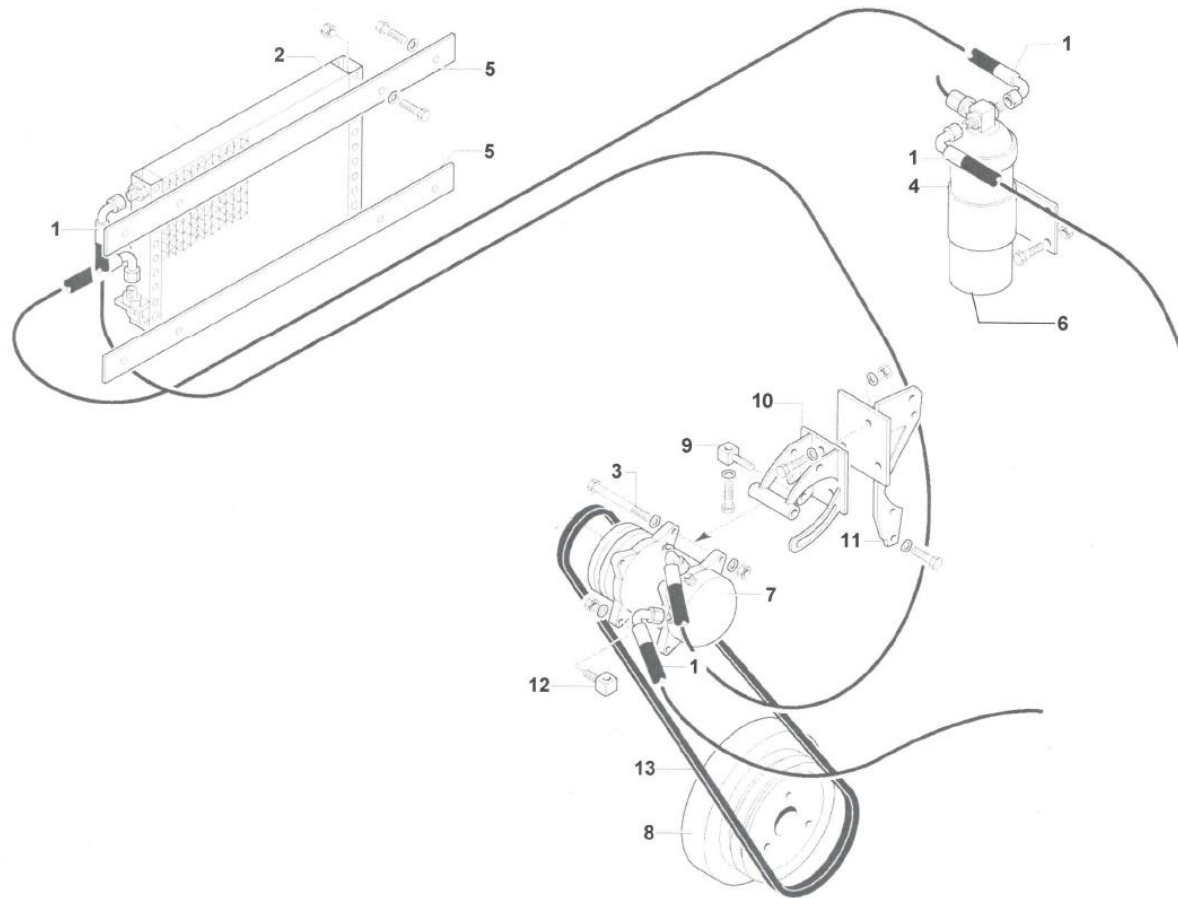
| | |
|----|--------------|
| 1 | BB50101012 |
| 3 | BB50121012 |
| 7 | BB50111359 |
| 8 | BB50124010 |
| 10 | BB50111357 |
| 11 | BB32802451 |
| 12 | BG004129 |
| 13 | BB32802452 |
| 14 | BB32802453 |
| 15 | BB50111073 |
| 16 | BB50121112 |
| 17 | BB50112092 |
| 18 | BB50124012 |
| 19 | BG001248 |
| 20 | BB50111357 |
| 21 | BBF4576957 |
| 22 | BB50101010 |
| 23 | BG015046 |
| 24 | BG015045 |
| 25 | BG001249 |
| 26 | BG021139 |
| 27 | BG015094 |
| 28 | BB50112075 |
| 29 | BB41501000 |
| 30 | BB2911550006 |
| 31 | BB50124014 |
| 32 | BB50111385 |
| 33 | BB50111343 |
| 34 | BB50101008 |
| 35 | BG006310 |
| 36 | BB50121008 |
| 37 | BB50111339 |
| 38 | BG015963 |
| 39 | BG006324 |
| 40 | BB50111020 |
| 41 | BG005751 |
| 42 | BG009488 |
| 43 | BG009068 |
| 44 | BB50145052 |
| 45 | BB519000000 |
| 46 | BG000551 |
| 47 | BB50223228 |
| 48 | BB50243122 |



- 1 BB50145002
- 2 BG011511
- 3 BB50145052
- 4 BB50900725
- 5 BB50101006
- 6 BG027423
- 7 BB50121006
- 8 BB50111327
- 9 BB50101008
- 10 BB50121008
- 11 BB50111339
- 12 BG011512
- 13 BG011513
- 14 BB50145056
- 15 BB41810303
- 16 BG015794
- 17 BB41810104/1
- 18 BG015793
- 19 BB50111071
- 20 BB50121112
- 21 BB50101010
- 22 BB50121010
- 23 BB50111356
- 24 BB42401005
- 25 BB50101012
- 26 BG002894
- 27 BG008334
- 28 BG002898
- 29 BB50279942
- 30 BG000310
- 31 BB50145058
- 32 BG005013
- 33 BG022434
- 34 BB50145059
- 35 BB50900776
- 36 BG015796
- 37 BG013543
- 38 BB50900008
- 39 BG011103
- 40 BG005729
- 41 BB50111064
- 42 BG016062
- 43 BB50121012
- 44 BB50103212
- 45 BBF741569
- 46 BBF741571
- 47 BB2501504005
- 48 BG015797
- 49 BG015796
- 50 BG027424

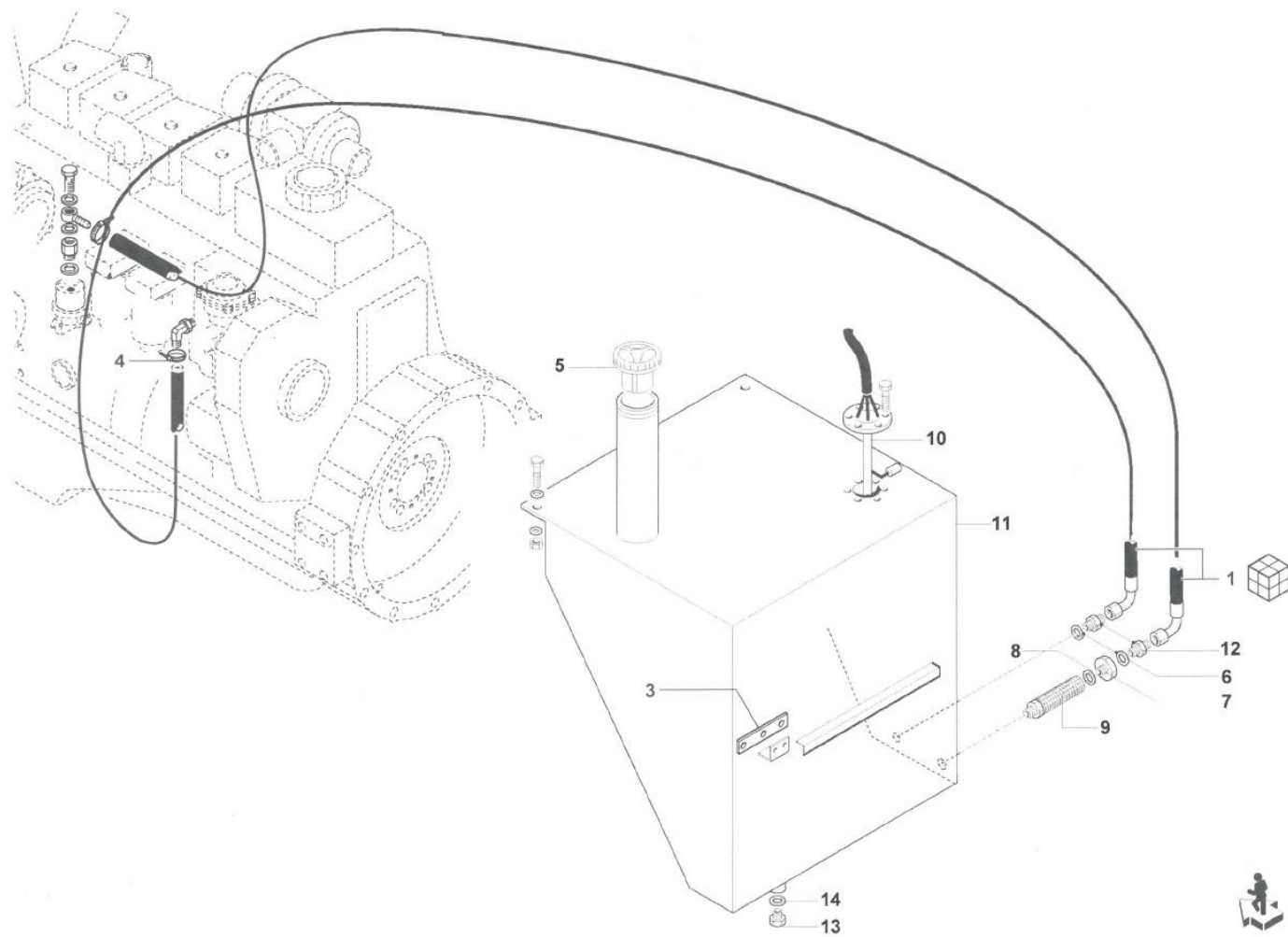


- 1 BBJDJ1313
- 2 BG001633
- 3 BB50145119
- 4 BBJDJ0303
- 5 BB50145120
- 6 BG015048
- 9 BB50101010
- 10 BB50145115
- 11 BG015575
- 15 BG017226



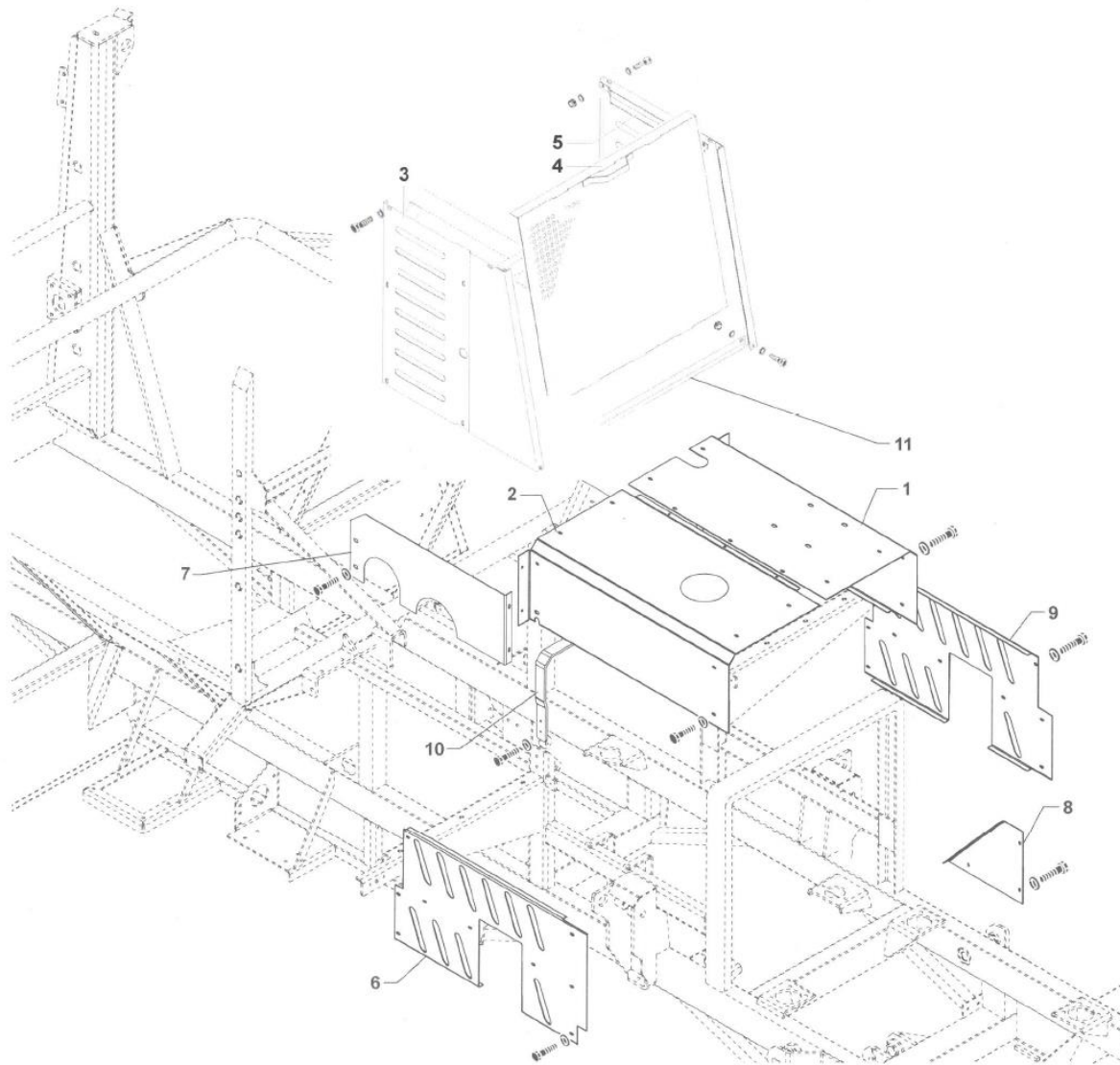
- 1 BB40704401
- 2 BG001387
- 3 BB50111058
- 4 BG003468
- 5 VV001655
- 6 BB20216112
- 7 BB20216108/2
- 8 BG001486
- 9 BB2060200049
- 10 BG003414
- 11 BG001938
- 12 BB2060200050
- 13 BG001796



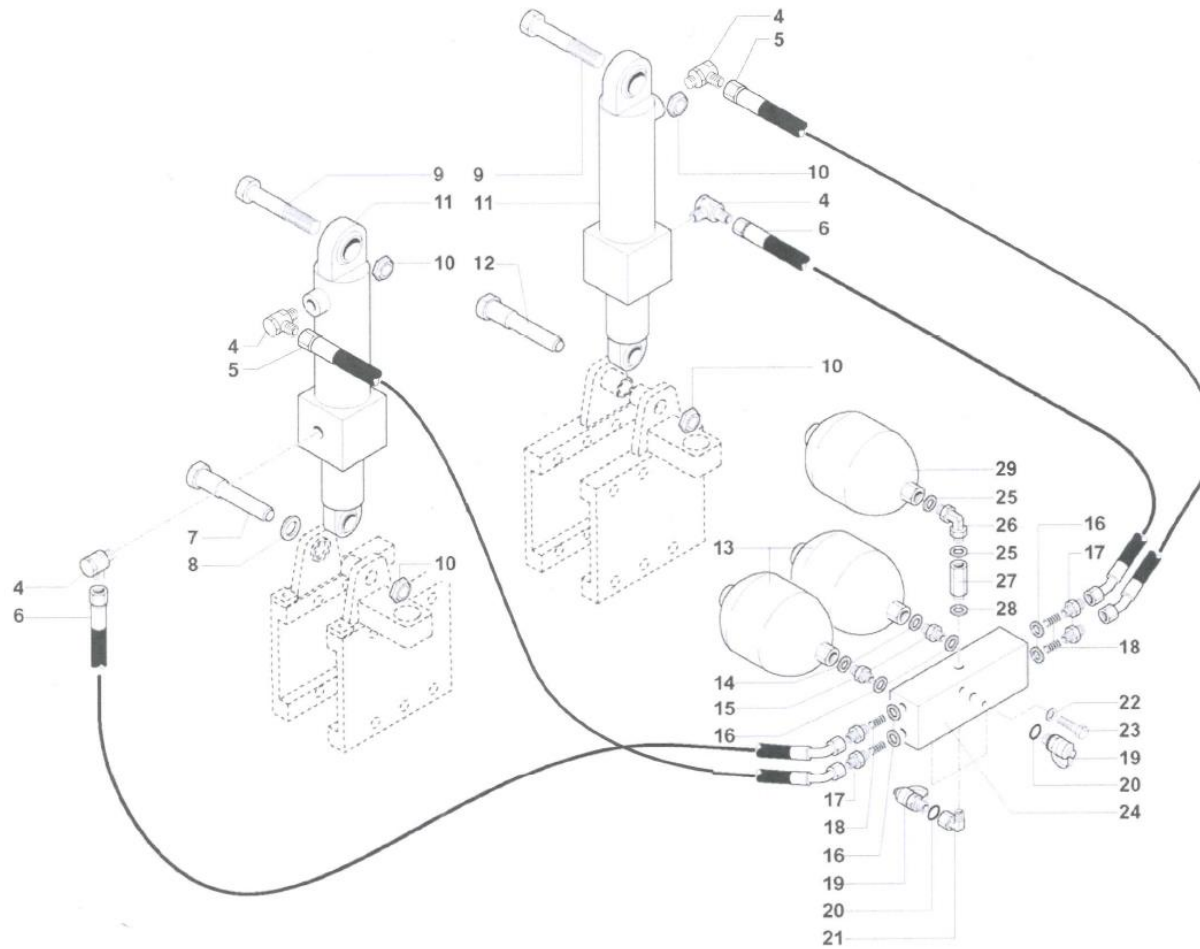


- 1 BG022419
- 3 BG021242
- 4 BB50145004
- 5 BB41908000
- 6 BB50243013
- 7 BB40407400/A
- 8 BB50243133
- 9 BB32319300
- 10 BB50357100
- 11 BG012266
- 12 BB50223002
- 13 BB50229204
- 14 BB50243121

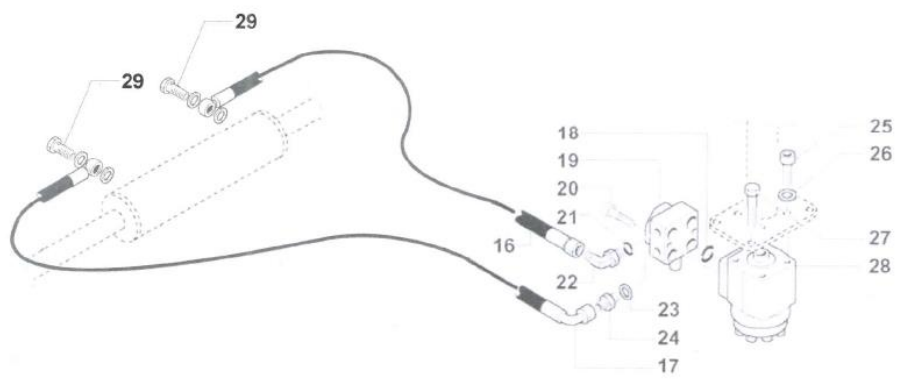






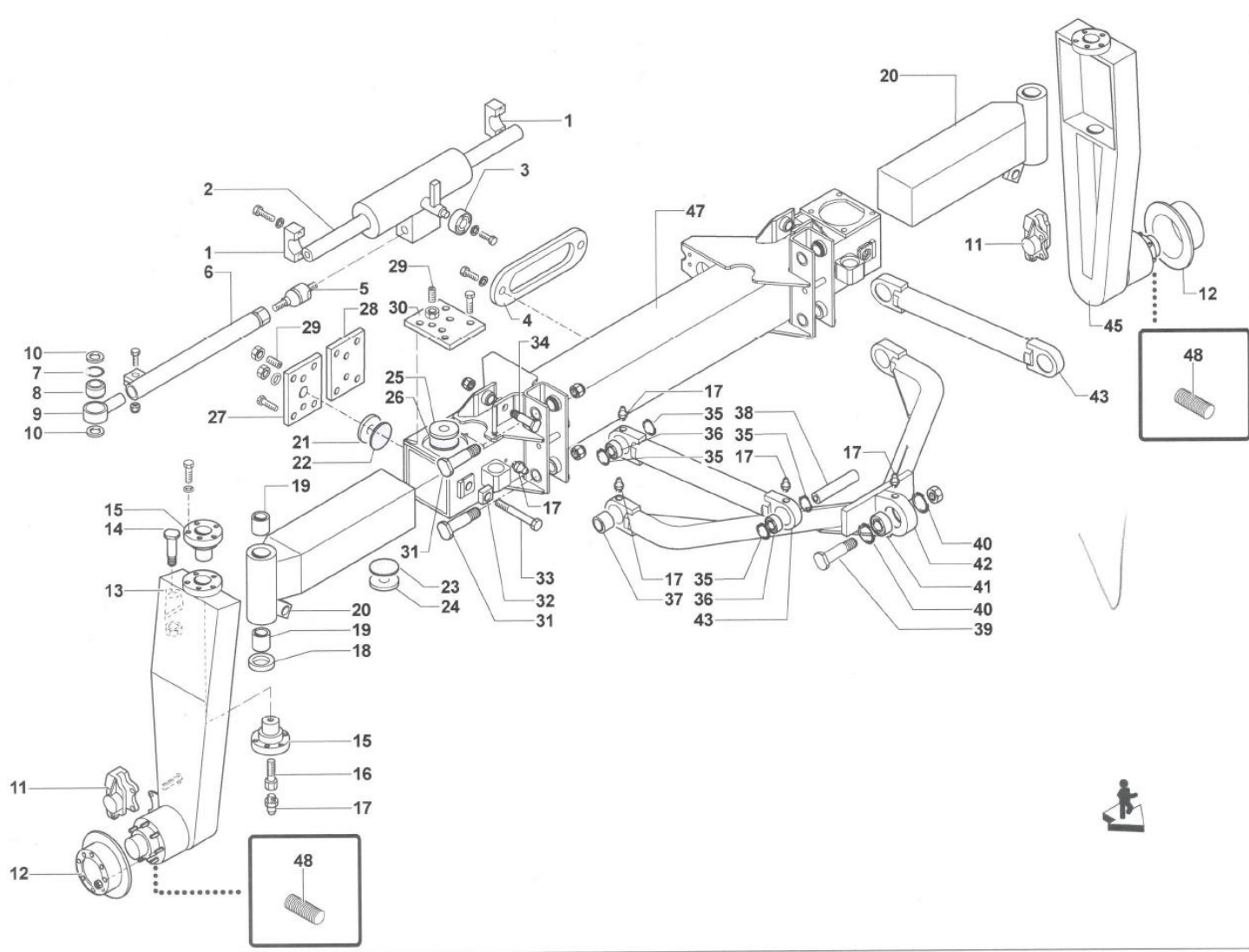
- 1 BG025111
- 2 BG025112
- 3 BG015923
- 4 BG015925
- 5 BG015924
- 6 BG025113
- 7 BG025115
- 8 BG025116
- 9 BG025114
- 10 BG025117
- 11 BG016454



- 4 BG003986
- 5 VV001546
- 6 VV001545
- 7 BG014102
- 8 BG015012
- 9 BG000573
- 10 BB50149325
- 11 BB2051102000
- 11 VV000524
- 12 BB2050601001
- 13 BB30940620/2
- 14 BB50243118
- 15 BB50223229
- 16 BB50243117
- 17 BB50223003
- 18 BB30940601
- 19 BB30937021
- 20 BB50201111
- 21 BB50279702
- 22 BB50121008
- 23 BB50111037
- 24 BG023481
- 25 BB50201119
- 26 BB50273404
- 27 BB50226008
- 28 BB50243121
- 29 BB30940656



- 16 
- 17 
- 18 BB50201119
- 19 BB30606001
- 20 BB50112076
- 21 BB50201113
- 22 BB50272106
- 23 BB50243117
- 24 BB50223202
- 25 BB50112073
- 26 BB50121010
- 27 BB50111357
- 28 BB30606000
- 29 BB50232103

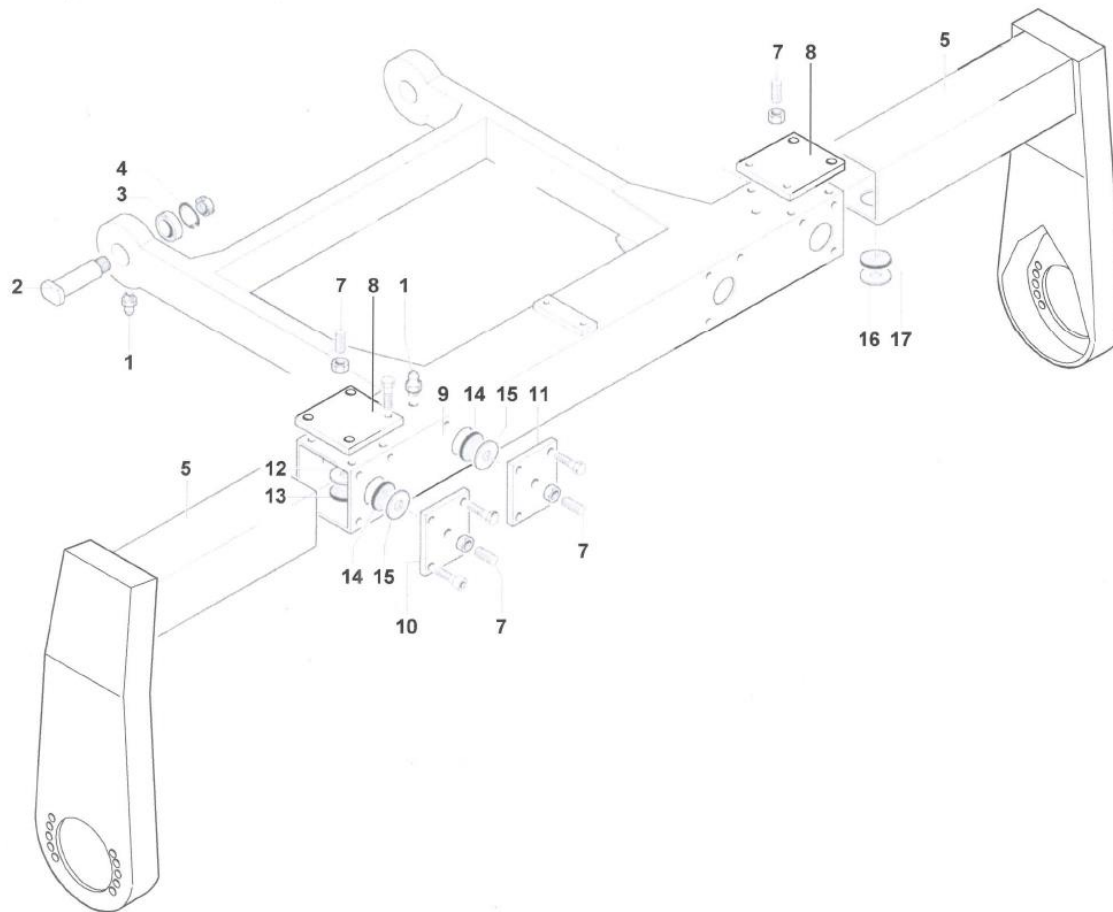


- | | |
|----|----------------|
| 1 | BB2050500036 |
| 2 | BG022126 |
| 3 | BB32608505 |
| 4 | BG025002 |
| 5 | BB2300203003 |
| 6 | BG024999 |
| 7 | BB50136047 |
| 8 | BB412510025 |
| 9 | BG025094 |
| 10 | BG021892 |
| 11 | BG022636 |
| 12 | GG393000095 |
| 13 | BG025096 |
| 14 | BG004931 |
| 15 | BB0M20280030 |
| 16 | BG010581 |
| 17 | BB50144007 |
| 18 | BB0M20120204 |
| 19 | BB0M20430008 |
| 20 | BG025097 |
| 21 | BG005886 |
| 22 | BG006048 |
| 23 | BG001178 |
| 24 | BG001187 |
| 25 | BG001179 |
| 26 | BG001183 |
| 27 | BG021078 |
| 28 | BG008249 |
| 29 | BG005441 |
| 30 | BG025098 |
| 31 | BG025100 |
| 32 | BG003402 |
| 33 | BG003832 |
| 34 | BG004927 |
| 35 | BB50136055 |
| 36 | BB41251030 |
| 37 | BB32701029 |
| 38 | BG025101 |
| 39 | BB205050501010 |
| 40 | BB50136068 |
| 41 | BB41251040 |
| 42 | BG024987 |
| 43 | BG024988 |
| 45 | BG025099 |
| 45 | BG027303 |
| 47 | BG024986 |
| 48 | BG028745 |
| 48 | BBPH002627968M |
| 48 | BG028129 |

H = 1500
H = 1800

H = 1500
H = 1800

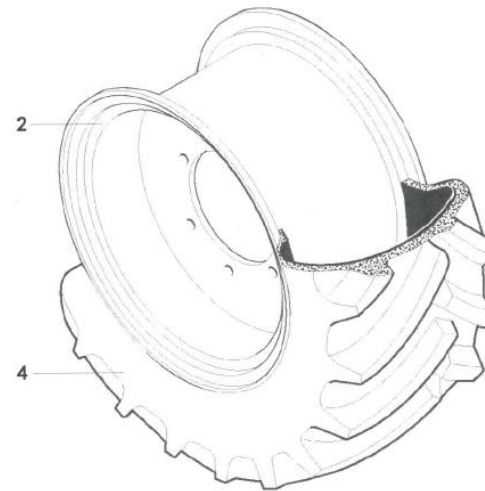
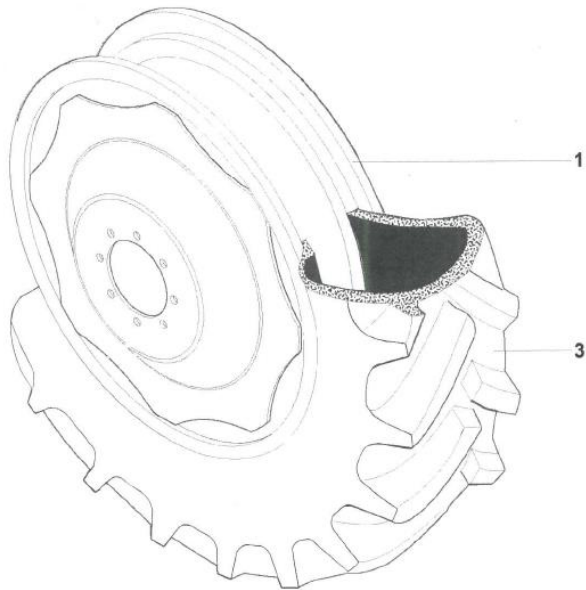
M18x1,5x65
M20x1,5x70



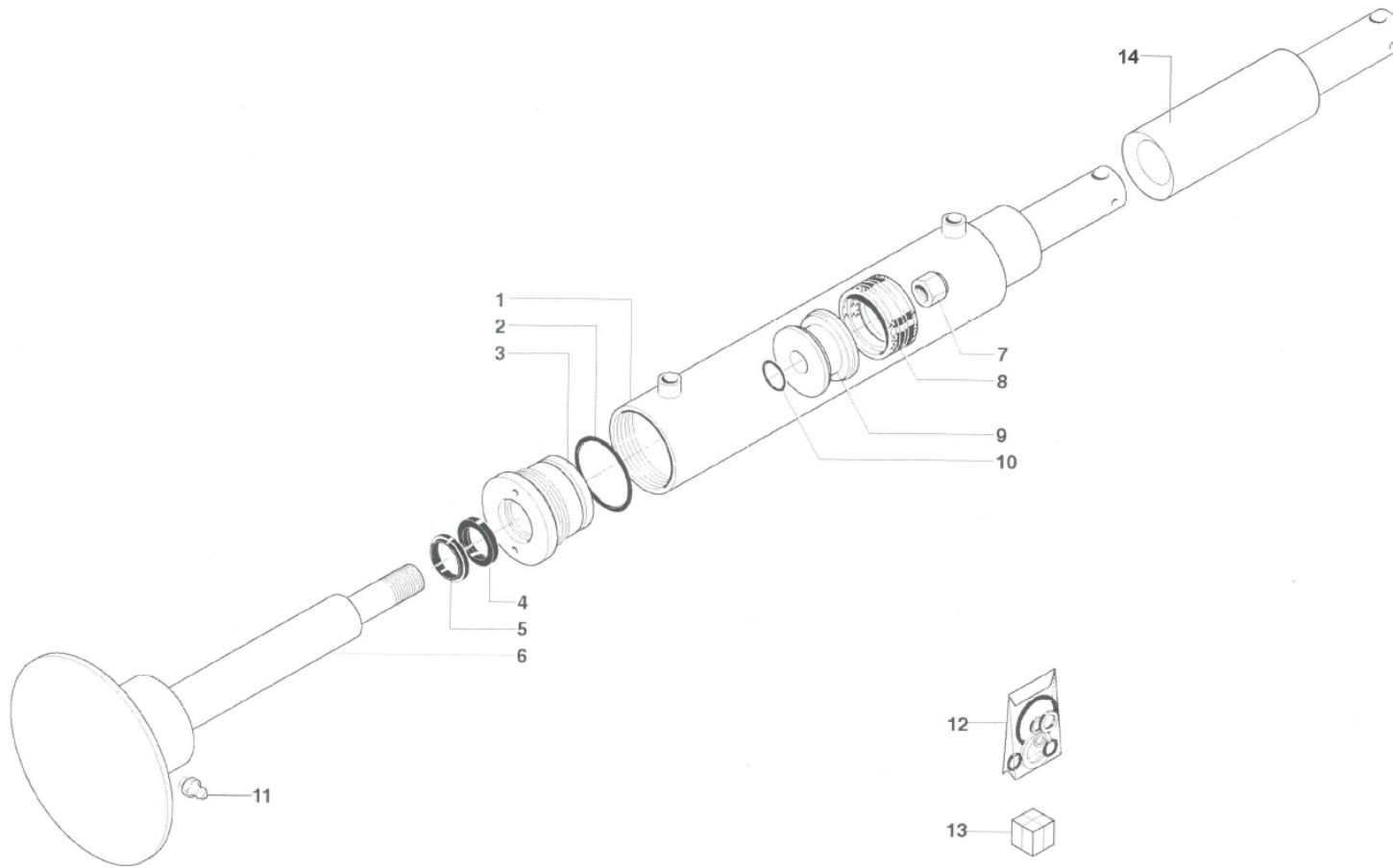
V

- 1 BB50144007
- 2 BG003369
- 3 BG003376
- 4 BG5016075
- 5 BG025103
- 5 BG027306
- 7 BG005441
- 8 BG021074
- 9 BG025102
- 10 BG021078
- 11 BG008249
- 12 BG001179
- 13 BG001183
- 14 BG006048
- 15 BG005886
- 16 BG001178
- 17 BG001187

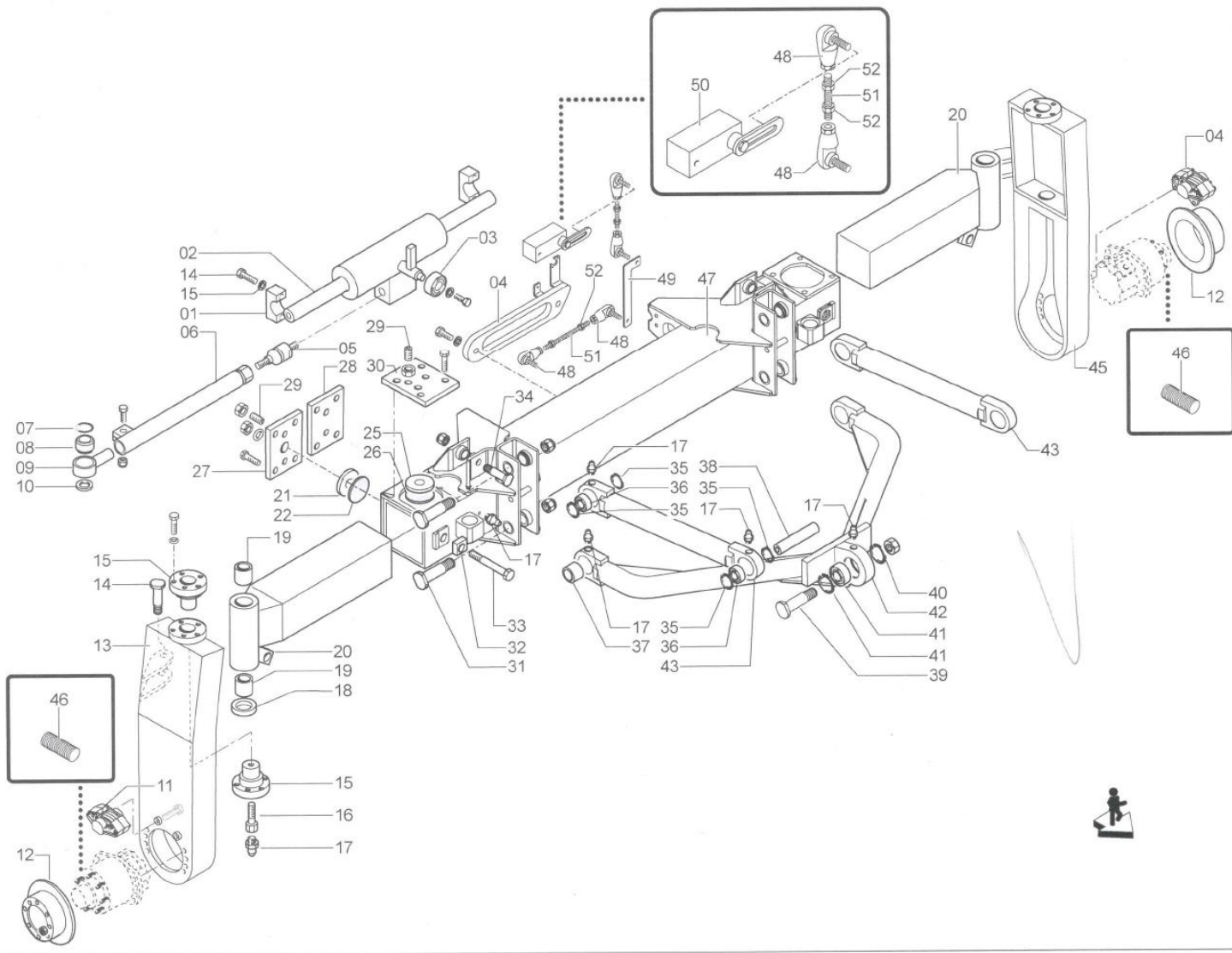
H = 1500
H = 1800



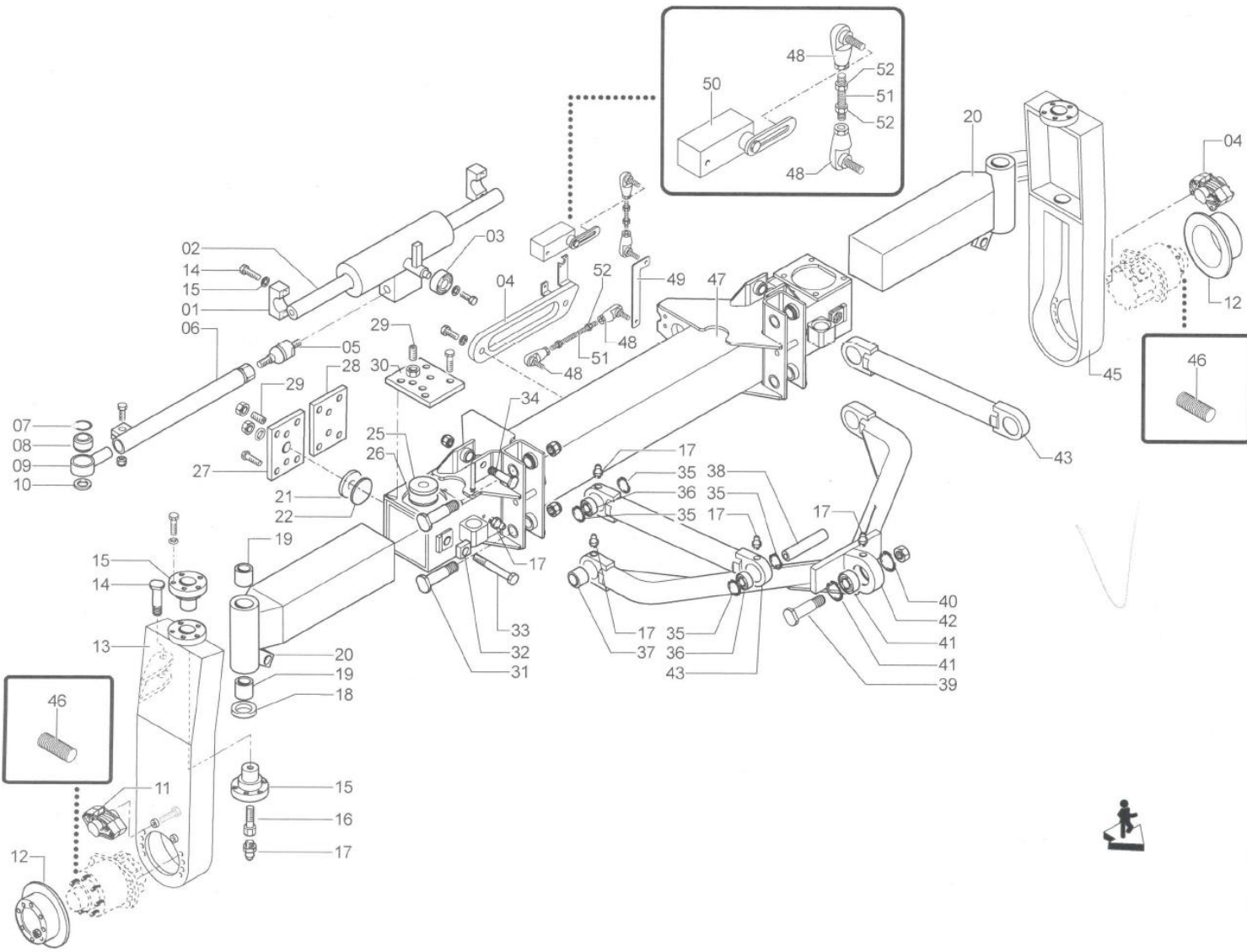
| | | |
|---|----------|------------|
| 1 | BG022163 | |
| 2 | BG022162 | |
| 3 | BG022169 | |
| 4 | BG022168 | 270/95 R44 |
| 1 | BG023728 | |
| 2 | BG023726 | |
| 3 | BG023729 | |
| 4 | BG023727 | 320/90 R54 |
| 1 | BG024542 | |
| 2 | BG024540 | |
| 3 | BG024543 | |
| 4 | BG024541 | 300/95 R46 |



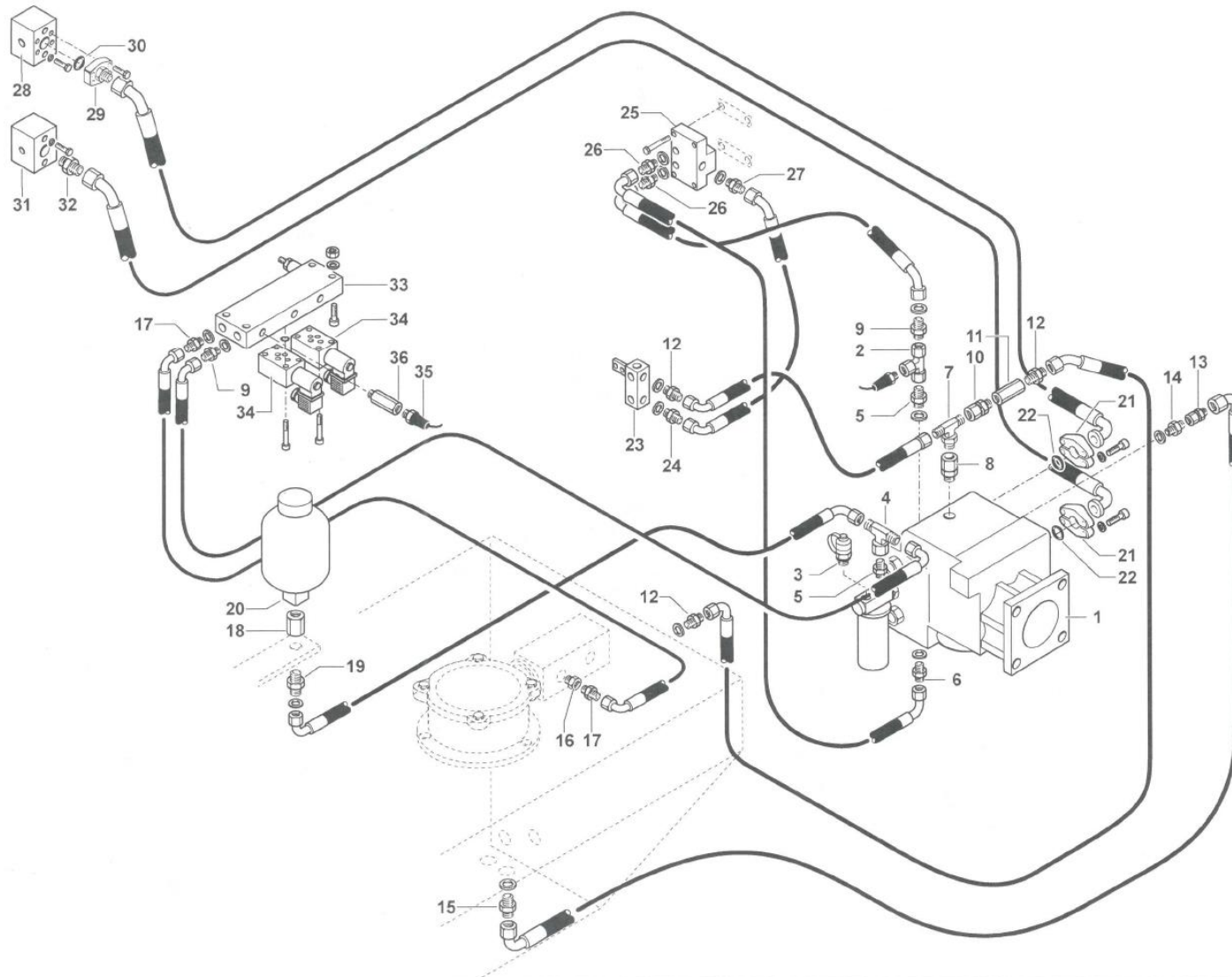
| | | |
|----|--------------|----------|
| 1 | BB2051104151 | |
| 2 | BB50201832 | |
| 3 | BB2944006000 | |
| 4 | BB50205055 | |
| 5 | BB50518005 | |
| 6 | BG006975 | ALT 1200 |
| 6 | BB2051104152 | |
| 7 | BB50101224 | |
| 8 | BB50207023 | |
| 9 | BB5021955/2 | |
| 10 | BB50201120 | |
| 11 | BB50144007 | |
| 12 | BB2061605010 | ALT 1200 |
| 13 | BG003019 | STD |
| 14 | BG024295 | ALT +150 |
| 14 | BG027781 | |



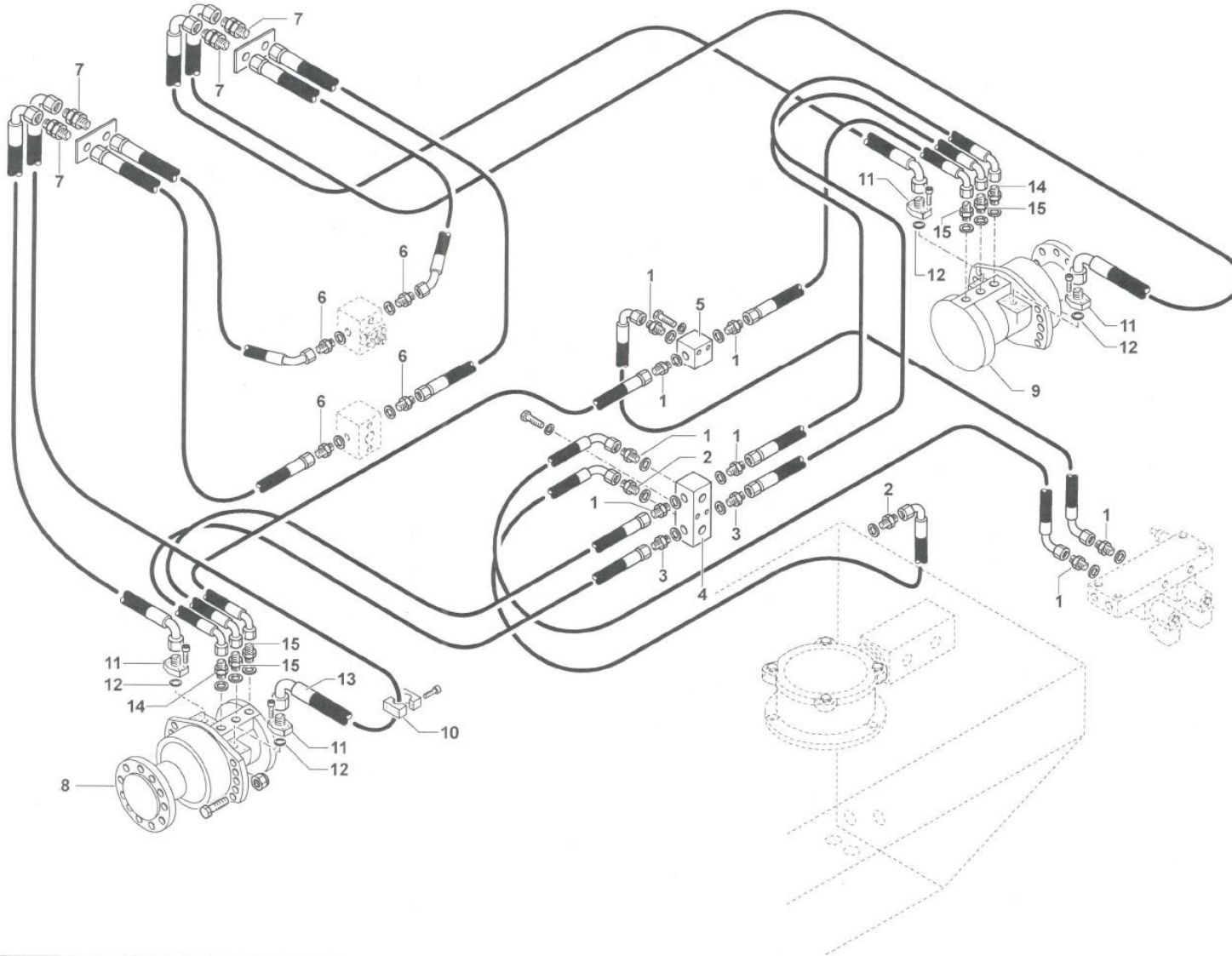
| | | |
|----|----------------|------------------------------------|
| 1 | BB2050500036 | |
| 2 | BG022636 | |
| 3 | BB32608505 | |
| 4 | BG027086 | |
| 5 | BB2300203003 | |
| 6 | BG024999 | |
| 7 | BB50136047 | |
| 8 | BB412510025 | |
| 9 | BG025094 | |
| 10 | BG021892 | |
| 11 | BG022636 | |
| 12 | GG393000095 | |
| 13 | BG025444 | |
| 13 | | H = 1500 H = 1800 |
| 14 | BG004931 | |
| 15 | BB0M20280030 | |
| 16 | BG010581 | |
| 17 | BB50144007 | |
| 18 | BB0M20120204 | |
| 19 | BB0M20430008 | |
| 20 | BG025097 | |
| 21 | BG005886 | |
| 22 | BG006048 | |
| 25 | BG001179 | |
| 26 | BG001183 | |
| 27 | BG021078 | |
| 28 | BG008249 | |
| 29 | BG005441 | |
| 30 | BG025098 | |
| 31 | BG025100 | |
| 32 | BG003402 | |
| 33 | BG003832 | |
| 34 | BG004927 | |
| 35 | BB50136055 | |
| 36 | BB41251030 | |
| 37 | BB32701029 | |
| 38 | BG025101 | |
| 39 | BB205050501010 | |
| 40 | BB50136068 | |
| 41 | BB41251040 | |
| 42 | BG024987 | |
| 43 | BG024988 | |
| 45 | BG025443 | |
| 45 | BG028113 | |
| 46 | BG028745 | |
| 46 | BG028129 | |
| 47 | BG024986 | |
| 48 | BB41235006 | |
| 49 | BG027090 | |
| 50 | BG009050 | |
| | | H = 1500 H = 1800 M20x1,5x70 |



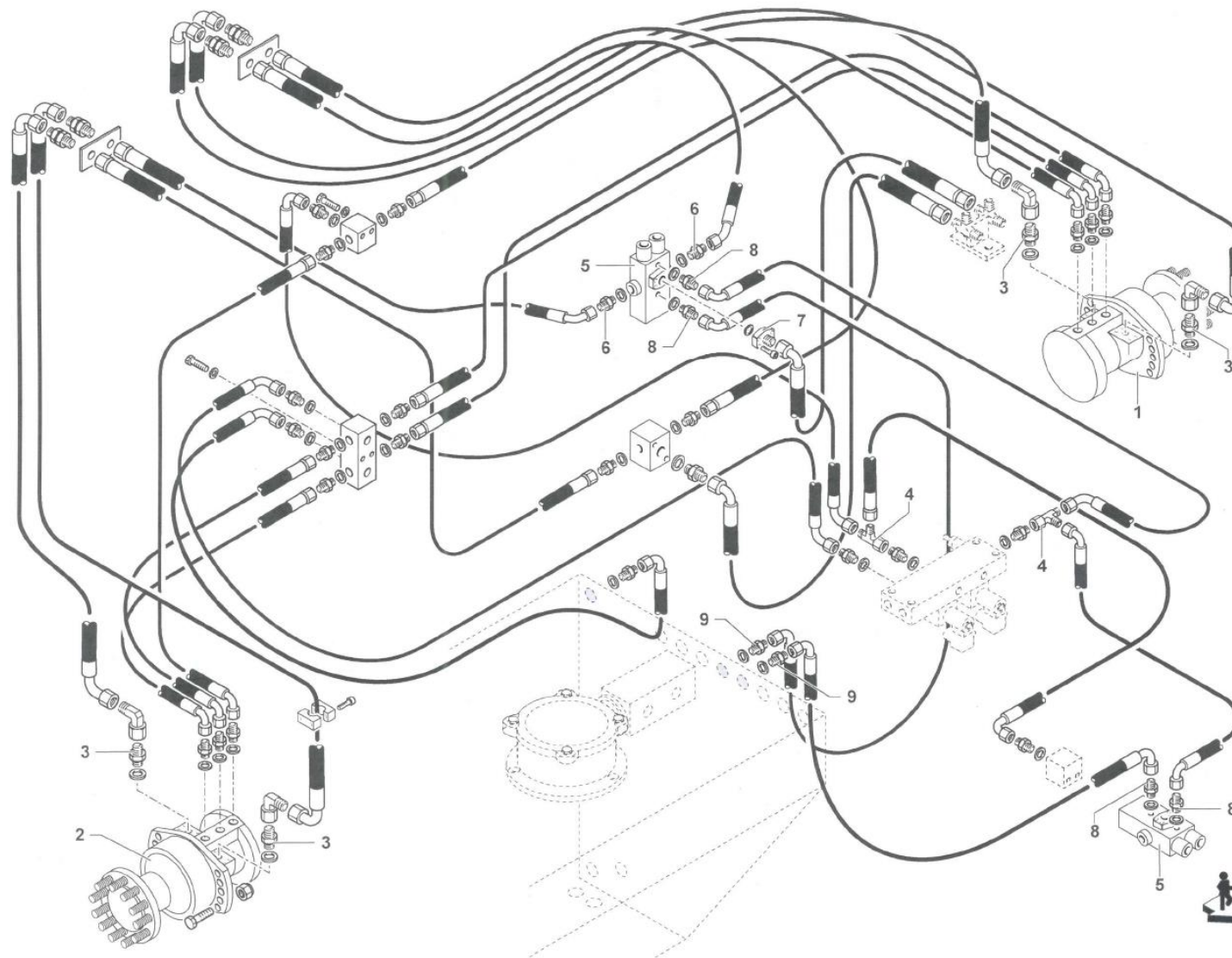
| | |
|-----------|--------------|
| 51 | BB2050901003 |
| 52 | BB20503208 |
| | |



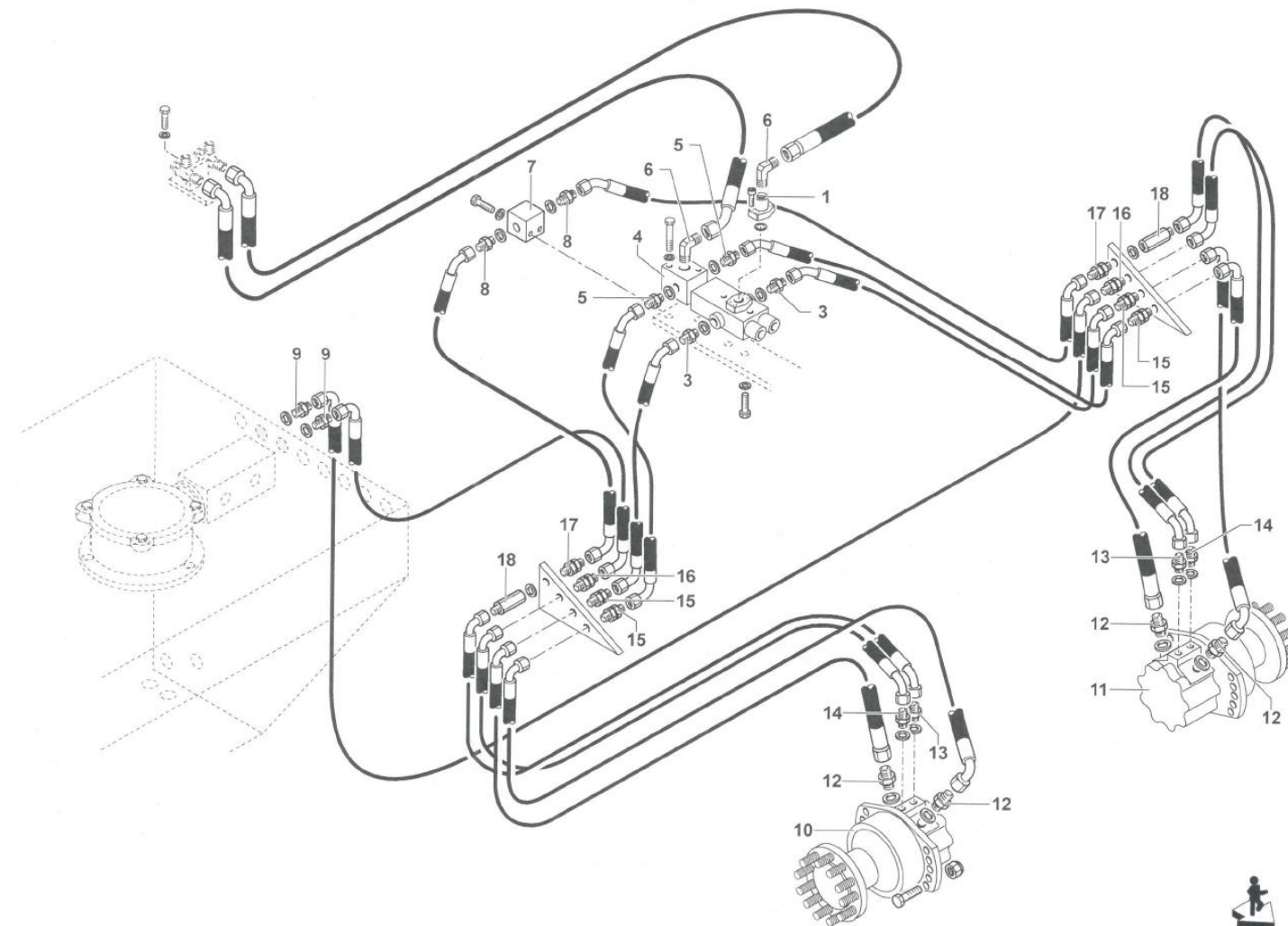
| | |
|----|---------------|
| 1 | BG021971 |
| 2 | BB50239201 |
| 3 | BB30937032 |
| 4 | BB50279941 |
| 5 | BB50223403 |
| 6 | BB50223405 |
| 7 | BB50179944 |
| 8 | BB50223418 |
| 9 | BB50223202 |
| 10 | BB50227006 |
| 11 | BB309060100 |
| 12 | BB50223006 |
| 13 | BG007010 |
| 14 | BB50223422 |
| 15 | BB50272120 |
| 16 | BG023483 |
| 17 | BB50223003 |
| 18 | BB50224042 |
| 19 | BB502338603 |
| 20 | BB45301002/15 |
| 21 | BB50221020 |
| 22 | BB50201222 |
| 23 | BG022600 |
| 24 | BB50223208 |
| 25 | BG022388 |
| 26 | BG001378 |
| 27 | BB50223231 |
| 28 | BB2050700401 |
| 29 | BB50242925 |
| 30 | BB50201219 |
| 31 | BB2050700001 |
| 32 | BB50254023 |
| 33 | BB3092700013 |
| 34 | BB30943050 |
| 35 | BG004425 |
| 36 | BG006992 |



- | | |
|----|--------------|
| 1 | BB50223002 |
| 2 | BB50223004 |
| 3 | BB50223204 |
| 4 | BB2050702001 |
| 5 | BG002382 |
| 6 | BB50254022 |
| 7 | BB50238606 |
| 8 | BG021817 |
| 9 | BG021816 |
| 10 | BB50146132 |
| 11 | BB50242923 |
| 12 | BB50201214 |
| 13 | BB50259408 |
| 14 | BB50223231 |
| 15 | BG002005 |

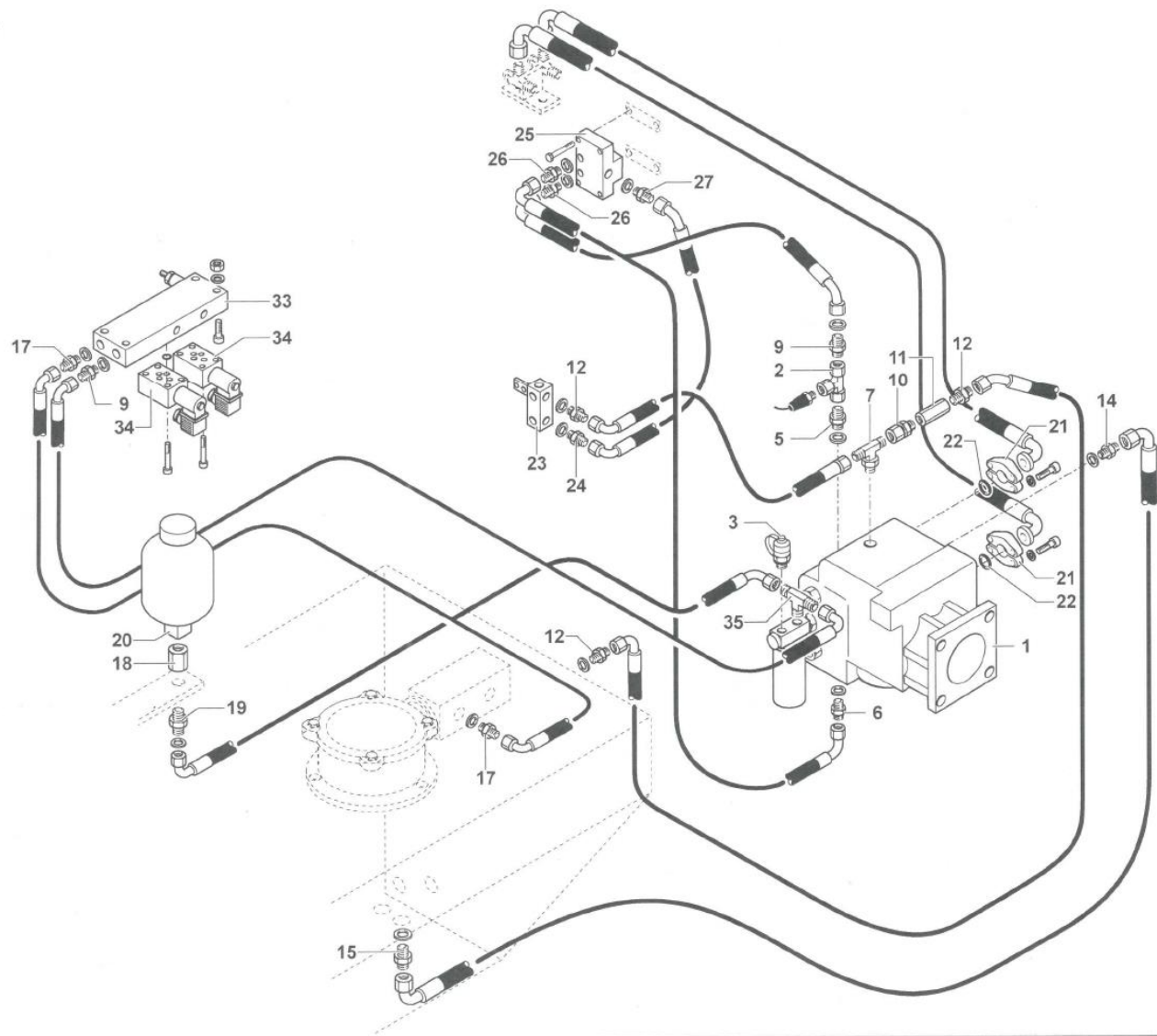


| | |
|---|--------------|
| 1 | BG025311 |
| 2 | BG025310 |
| 3 | BB50254047 |
| 4 | BB50279931 |
| 5 | BB30710501/1 |
| 6 | BB50254047 |
| 7 | BB50242925 |
| 8 | BB50223224 |
| 9 | BB50223202 |

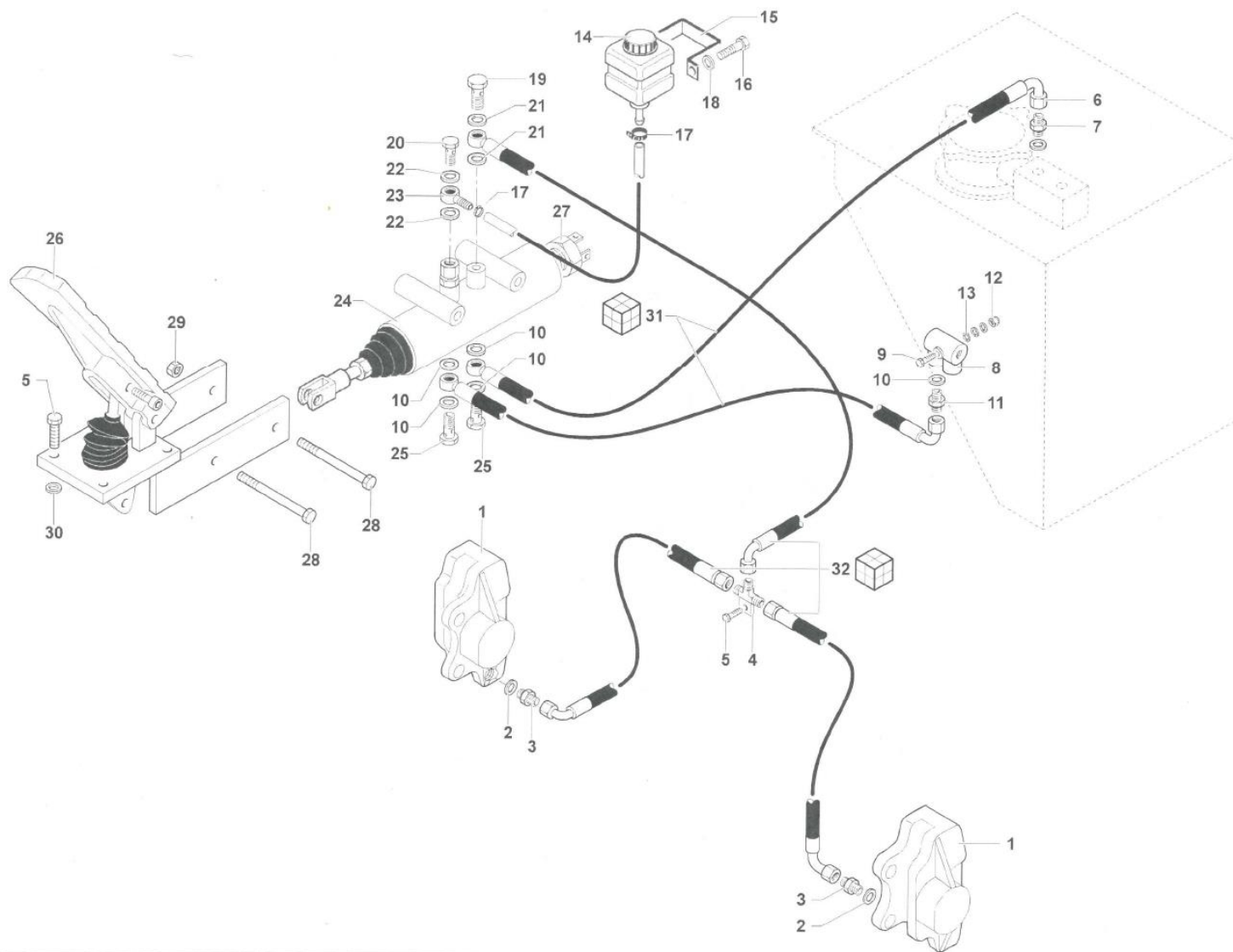


- 1 BG026658
- 3 BB50254047
- 4 BB2050700001
- 5 BB50254022
- 6 BG026656
- 7 BG002382
- 8 BB50223002
- 9 BB50223003
- 10 BG014919
- 11 BG014920
- 12 BB50254047
- 13 BG002005
- 14 BB50223229
- 15 BB50238606
- 16 BB50238603
- 17 BB50238602
- 18 BB50226000

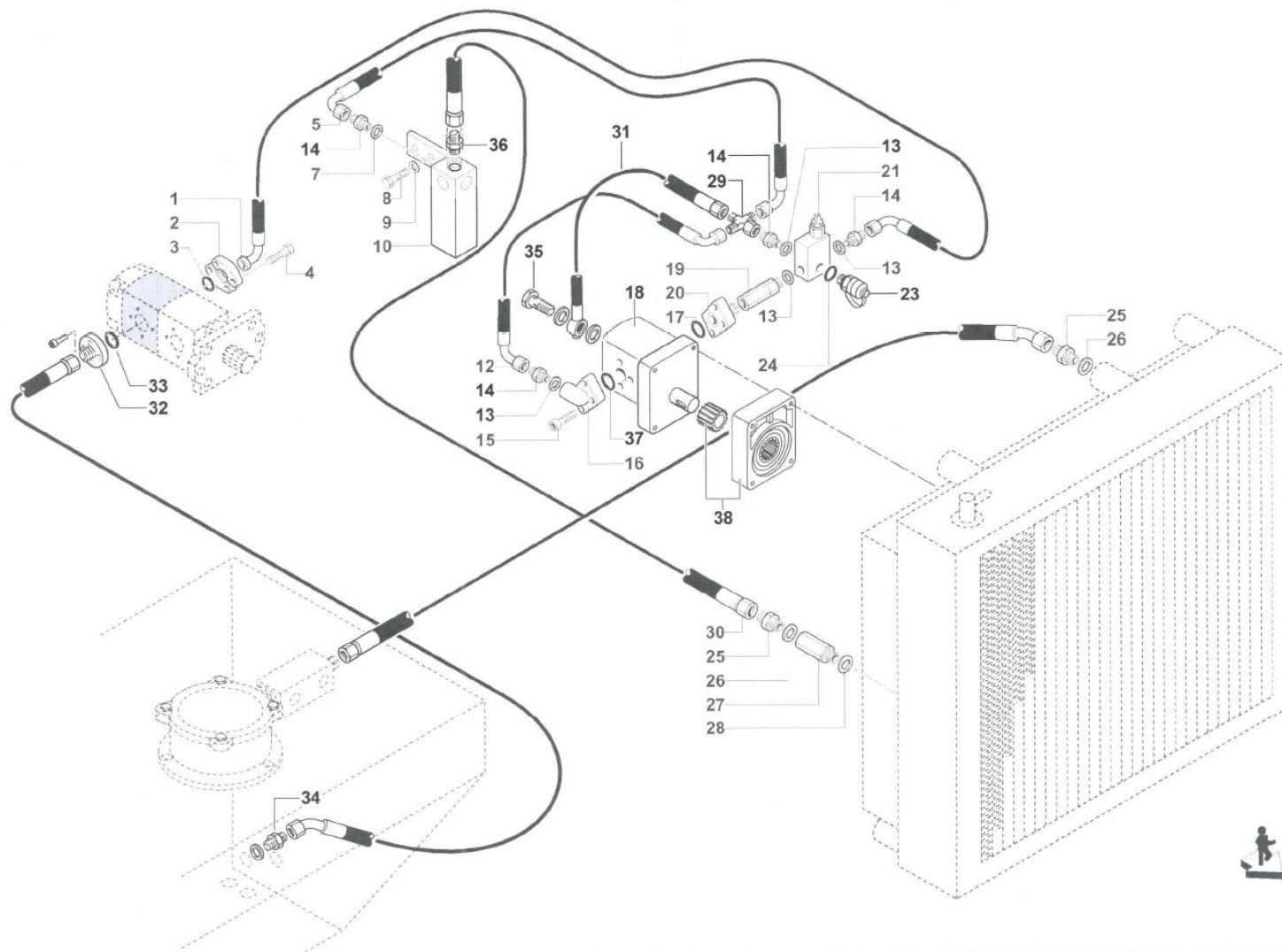






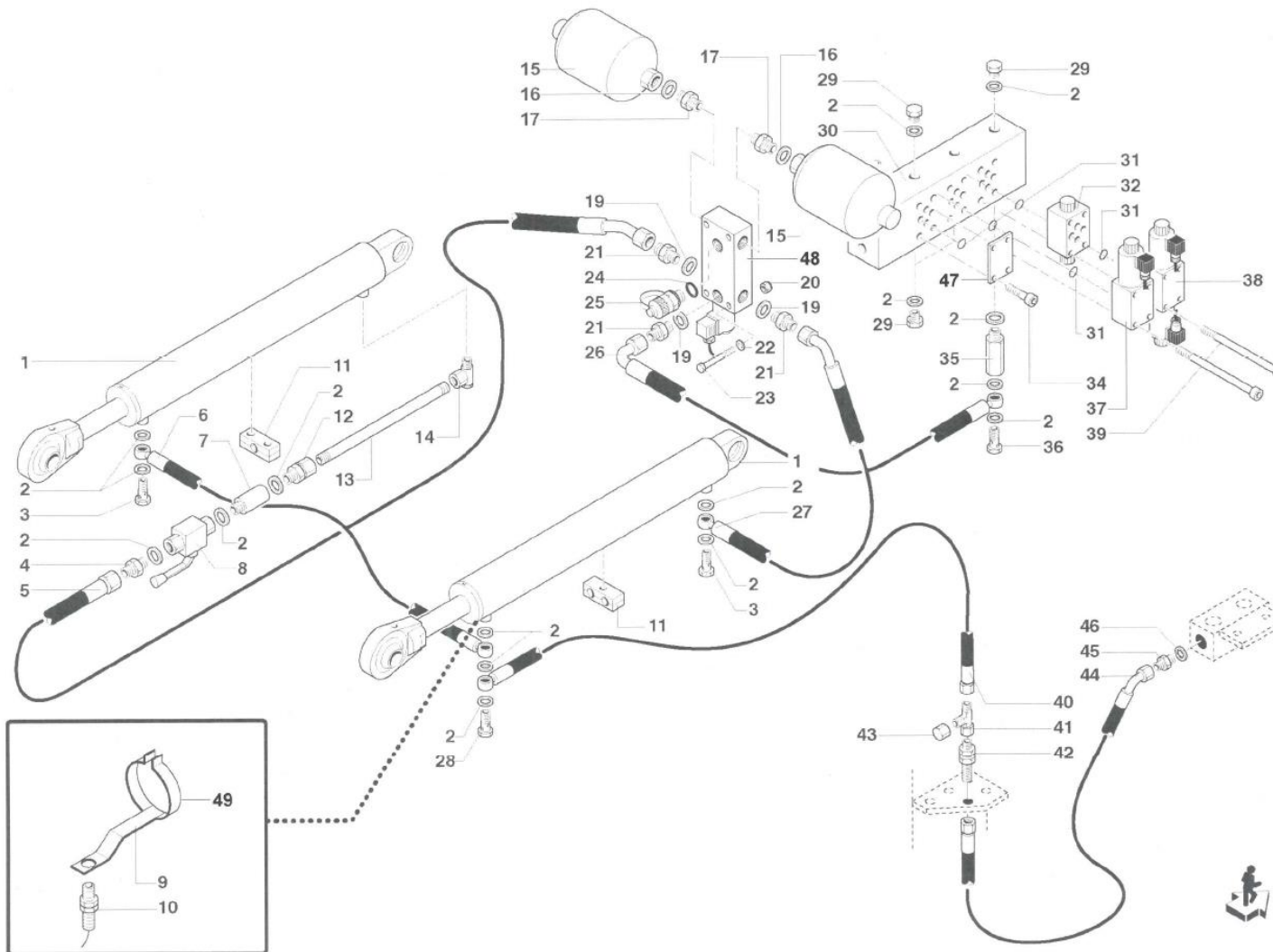
| | |
|----|---------------|
| 1 | BG021971 |
| 2 | BB50239201 |
| 3 | BB30937032 |
| 4 | BB50279941 |
| 5 | BB50223403 |
| 6 | BB50223405 |
| 7 | BB50179944 |
| 9 | BB50223202 |
| 10 | BB50227006 |
| 11 | BB309060100 |
| 12 | BB50223006 |
| 14 | BB50223422 |
| 15 | BB50272120 |
| 17 | BB50223003 |
| 18 | BB50224042 |
| 19 | BB502338603 |
| 20 | BB45301002/15 |
| 21 | BB50221020 |
| 22 | BB50201222 |
| 23 | BG022600 |
| 24 | BB50223208 |
| 25 | BG022388 |
| 26 | BG001378 |
| 27 | BB50223231 |
| 33 | BB3092700013 |
| 34 | BB30943050 |
| 35 | BB50279941 |



| | |
|----|------------|
| 1 | BG022636 |
| 2 | BB52243110 |
| 3 | BB50223220 |
| 4 | BB50239001 |
| 5 | BB50111338 |
| 6 | BB50223004 |
| 7 | BB50243121 |
| 8 | BG002928 |
| 9 | BB50111035 |
| 10 | BB50243118 |
| 11 | BB50223226 |
| 12 | BB50101108 |
| 13 | BB50121107 |
| 14 | BBF4697551 |
| 15 | BBF4699326 |
| 16 | BB50112034 |
| 17 | BB50145002 |
| 18 | BB50121006 |
| 19 | BB50232116 |
| 20 | BB50232115 |
| 21 | BB50243114 |
| 22 | BB50243112 |
| 23 | BG002723 |
| 24 | BG011526 |
| 25 | BB50232118 |
| 26 | BG002929 |
| 27 | BB50312011 |
| 28 | BB50111072 |
| 29 | BB50101112 |
| 30 | BB50121008 |
| 31 | BG022423 |
| 32 | BG022415 |

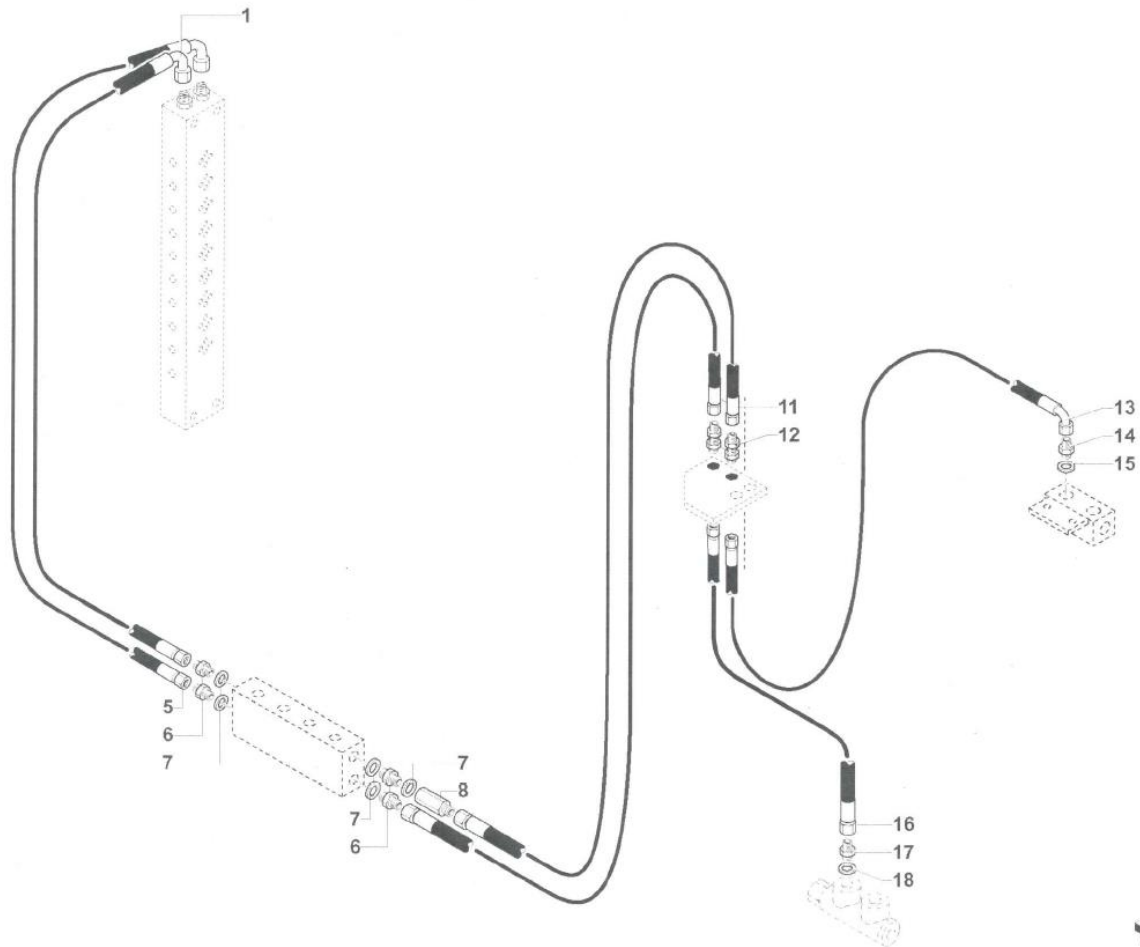


| | | |
|----|---|--|
| 1 | VV001606 | |
| 2 | BB50242404 | |
| 3 | BB50201119 | |
| 4 | BB50112073 | |
| 5 | BB5144201112 | |
| 6 | BB50223209 | |
| 7 | BB50243126 | |
| 8 | BB50111355 | |
| 9 | BB50121010 | |
| 10 | BG022600 | |
| 11 | VV001604 | |
| 12 | BG010828 | |
| 13 | BB50279943 | |
| 14 | BB50223004 | |
| 15 | BB50112054 | |
| 16 | BB50242106 | |
| 17 | BB50201809 | |
| 18 | BB30385150 | |
| 19 | BB50227005 | |
| 20 | BB50242303 | |
| 21 | BB30910100 | |
| 22 | BB50232102 | |
| 23 | BB30937021 | |
| 24 | BB50201111 | |
| 25 | BB50223214 | |
| 26 | BB50243142 | |
| 27 | BG002218 | |
| 28 | BB50243133 | |
| 29 | BB50279943 | |
| 30 | VV001605 | |
| 31 |  | |
| 32 | BB50242407 | |
| 33 | BB50201124 | |
| 34 | BB50232216 | |
| 35 | BB50232102 | |
| 36 | BB50223008 | |
| 37 |  | |
| 38 | BG026667 | |

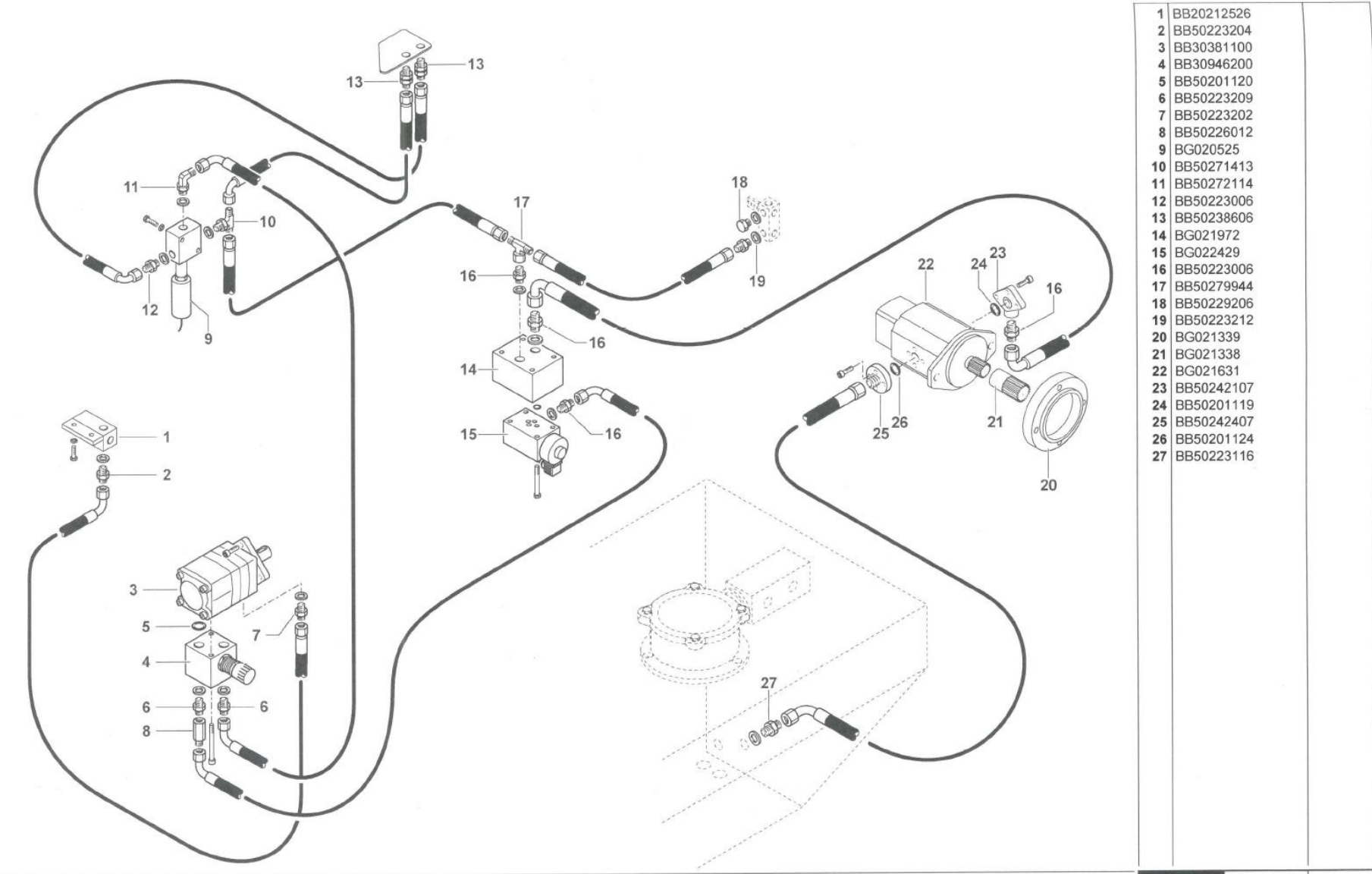


- 1 BB2051106100
- 2 BB50243113
- 3 BB50232102
- 4 BB50223202
- 5 BB5163108078
- 6 BB5141401146
- 7 BG007920
- 8 BB50245101
- 9 BG021117
- 10 BG002000
- 11 BB50146118
- 12 BB50254004
- 13 BG007821
- 14 BG003986
- 15 BB30940640/2
- 16 BB50243021
- 16 BB50243118
- 17 BB50223234
- 17 BB50223004
- 18 GGA00130020
- 19 BB50243117
- 20 BB50101006
- 21 BB50223003
- 22 BB50121006
- 23 BB50111026
- 24 BB50201111
- 25 BB30937021
- 26 BB5163224079
- 27 BB5163316115
- 28 BB50232001
- 29 BB50229202
- 30 BB30927000/3
- 31 BB50201012
- 32 BB30943100
- 34 BB50112020
- 35 BB50226000
- 36 BB2601504007
- 37 BB30943040
- 38 BB30943030
- 39 BB50112030
- 40 BG001915
- 41 BB50279932
- 42 BB50238603
- 43 BB50230002
- 44 VV001628
- 45 BB50223208
- 46 BB50243126
- 47 BB30927999
- 48 BB30940640
- 49 GG919760080

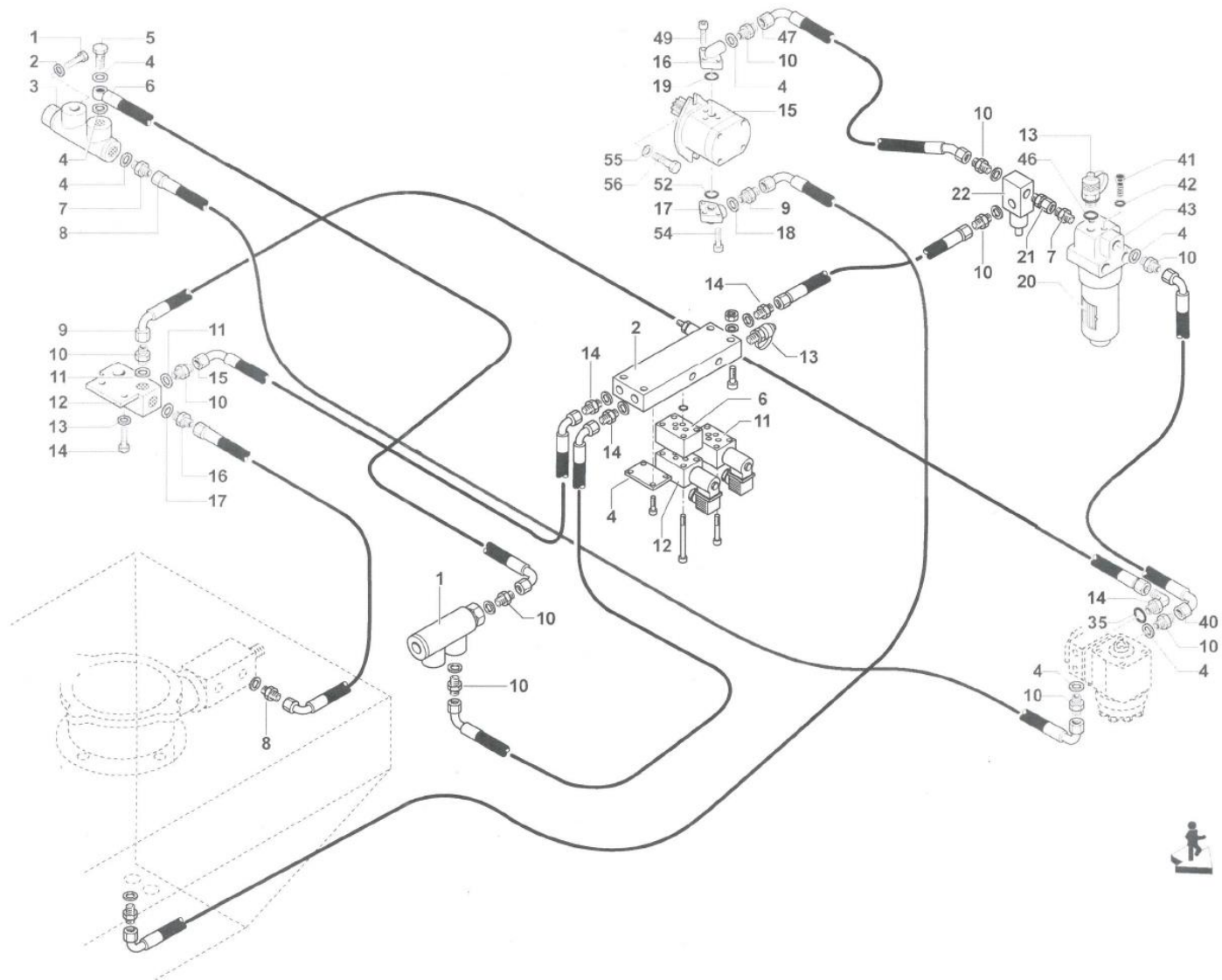
L=0,75
 21mm
 24mm
 M18x1,5
 1/2"



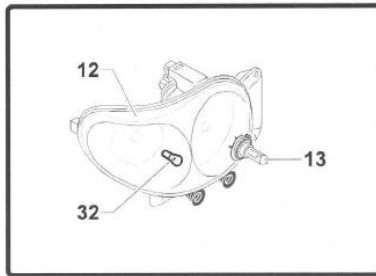
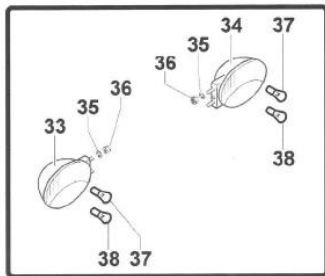
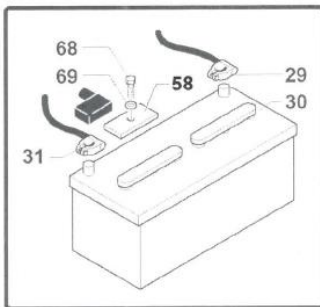
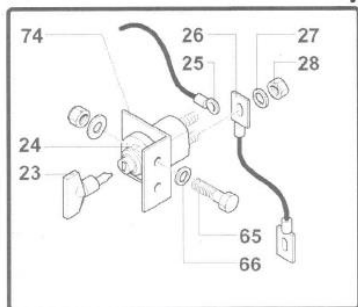
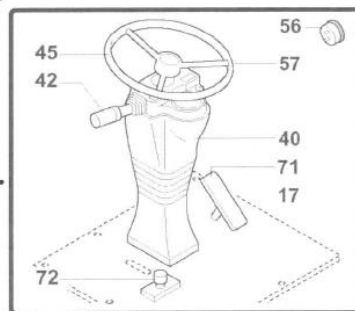
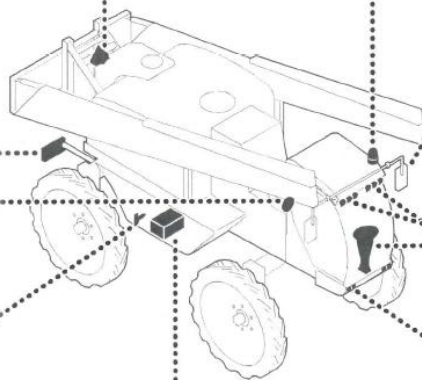
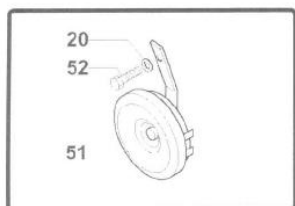
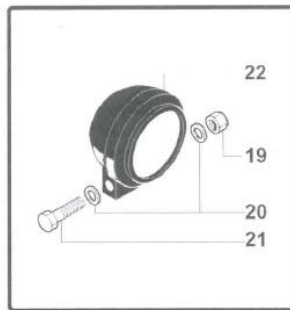
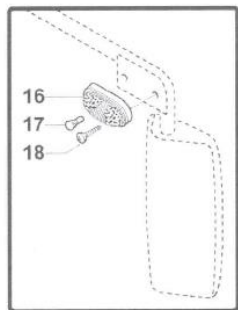
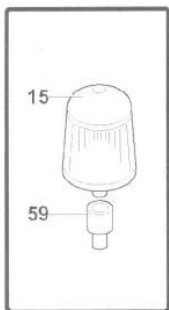
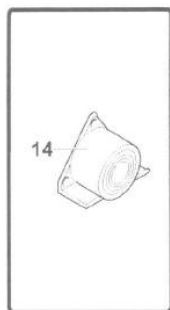
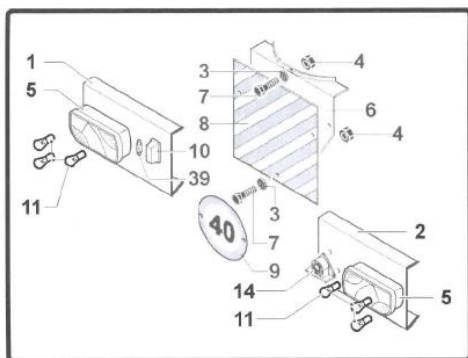
- 1 GG761342200
- 5 GG761342300
- 6 BB50223003
- 7 BB50243117
- 8 BB50226005/1
- 11 BG001912
- 12 BB50238603
- 13 VV001533
- 14 BB50223204
- 15 BB50243121
- 16 VV001503
- 17 BB50223229
- 18 BB50243118



- 1 BB20212526
- 2 BB50223204
- 3 BB30381100
- 4 BB30946200
- 5 BB50201120
- 6 BB50223209
- 7 BB50223202
- 8 BB50226012
- 9 BG020525
- 10 BB50271413
- 11 BB50272114
- 12 BB50223006
- 13 BB50238606
- 14 BG021972
- 15 BG022429
- 16 BB50223006
- 17 BB50279944
- 18 BB50229206
- 19 BB50223212
- 20 BG021339
- 21 BG021338
- 22 BG021631
- 23 BB50242107
- 24 BB50201119
- 25 BB50242407
- 26 BB50201124
- 27 BB50223116



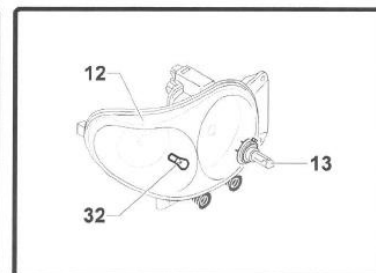
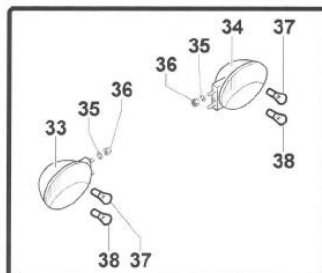
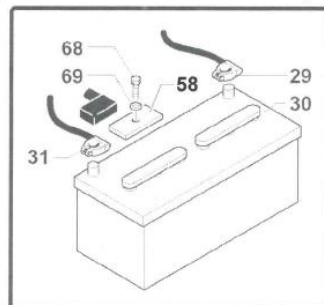
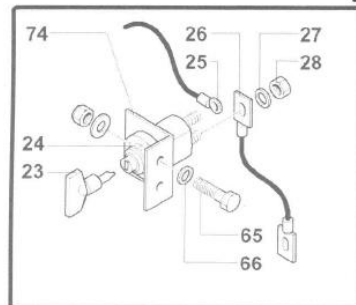
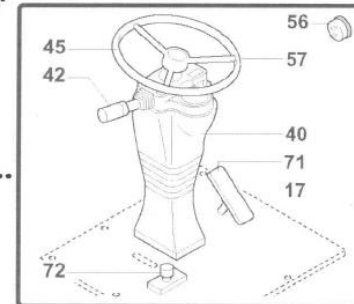
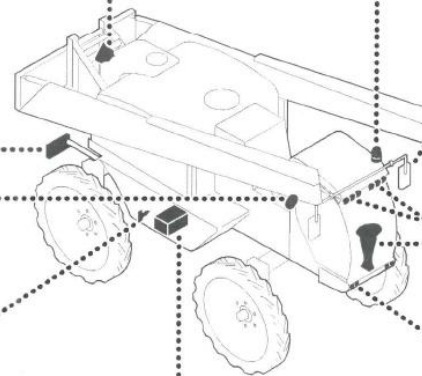
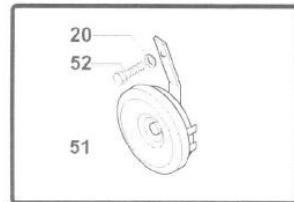
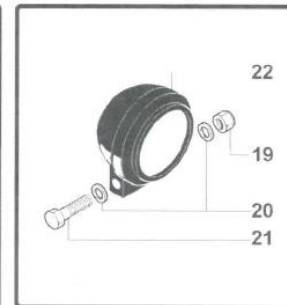
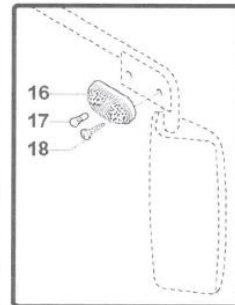
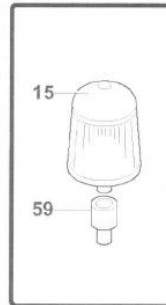
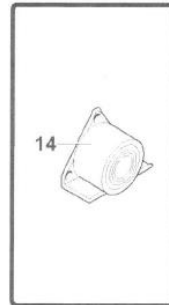
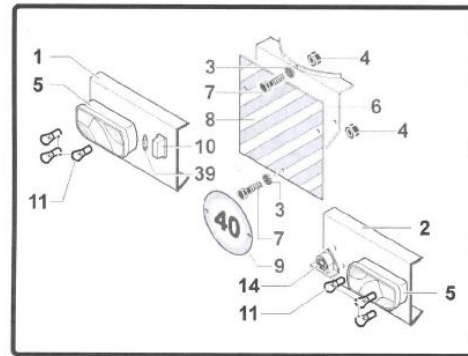
| | |
|----|--------------|
| 1 | BG002928 |
| 2 | BB30927000/3 |
| 3 | BG006252 |
| 4 | BB30927399 |
| 5 | BB50232104 |
| 6 | BB30943100 |
| 7 | BB50223004 |
| 8 | BB50223212 |
| 9 | BB50223006 |
| 10 | BB50223204 |
| 11 | BB30943040 |
| 12 | BB30943010 |
| 13 | BB30937025 |
| 14 | BB50223003 |
| 15 | BG014136 |
| 16 | BB50242103 |
| 17 | BB50242106 |
| 18 | BB50201119 |
| 19 | BB502001809 |
| 20 | BG022781 |
| 21 | BB50227005 |
| 22 | BB30910100 |
| 35 | BB50201113 |
| 40 | VV001815 |
| 41 | BB50111339 |
| 42 | BB50121108 |
| 43 | BG002934 |
| 46 | BB50201111 |
| 47 | VV001814 |
| 49 | BB50112034 |
| 52 | BB50201119 |
| 54 | BB50112054 |
| 55 | BB50121012 |
| 56 | BB50111069 |



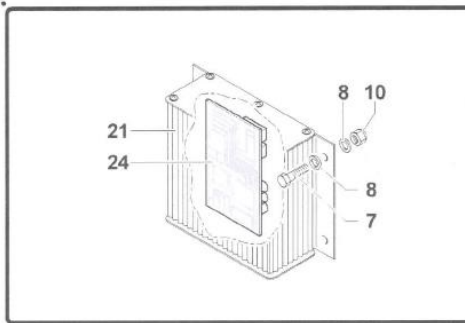
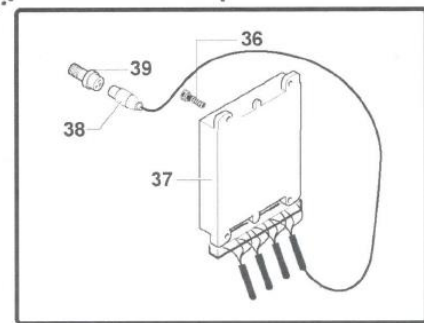
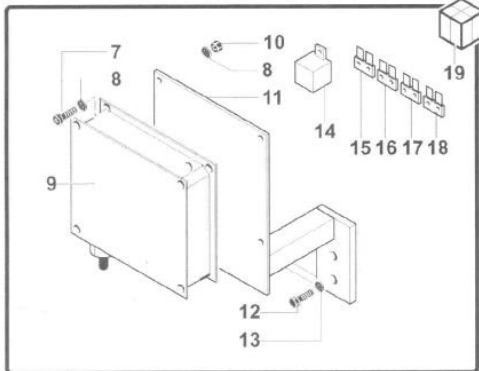
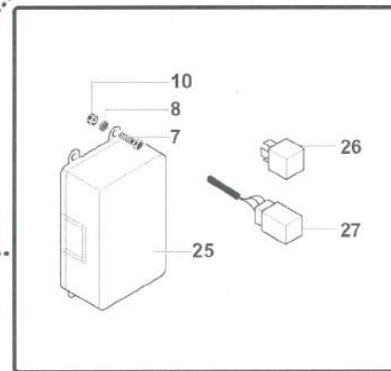
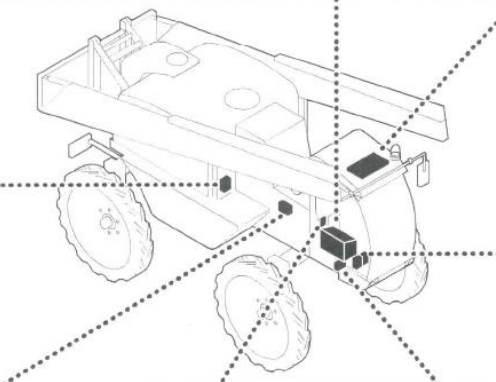
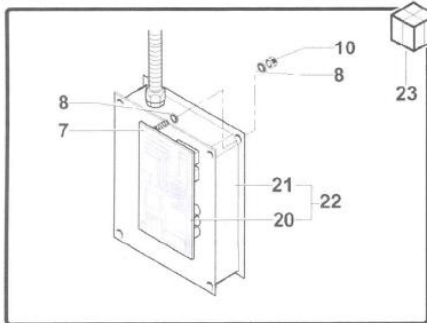
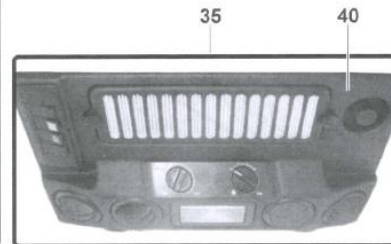
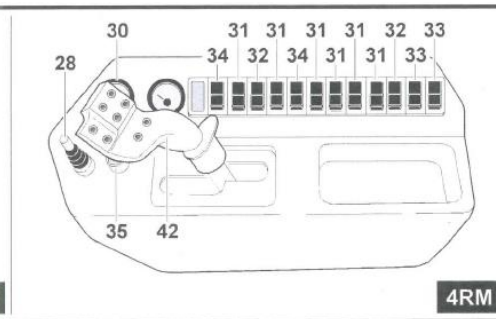
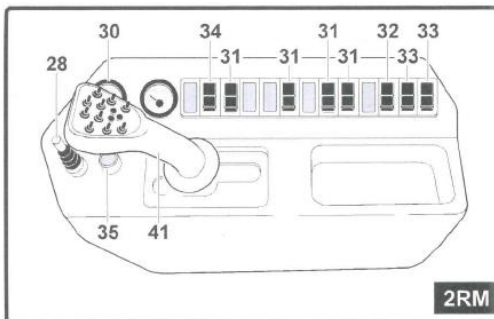
- 1
- 2
- 3 GG907106018Z
- 4 GG905300006
- 5 BG027823
- 5 BG025712
- 6 BB2062300010
- 7 GG900106016Z
- 8 BB50301211
- 9 GG950600022
- 10 BB50305015
- 11
- 12 BG025709
- 12 BG025710
- 13
- 14 GG790405516
- 15 BG010409
- 16 BB50305013
- 17 BB50335015
- 18 BB50114220
- 19 BB50101008
- 20 BB50121008
- 21 BB50111345
- 22 BG010332
- 23 BB50304031
- 24 BB50304030
- 25 BB50304070/M
- 26 BB50301151/4
- 27 BB50121010
- 28 BB50101010
- 29 BB50304130/C
- 30 BB50303030
- 31 BB50304070/M
- 32
- 33 BG027825
- 34 BG027824
- 35
- 36
- 37
- 38
- 39 BB50335015
- 40 BG021113
- 42 BG017299
- 45 RR4580301362
- 51 BB50321001
- 52 BB50111339
- 56
- 57 RR4665100040
- 58 BB20525000
- 59 BG010427

Sx
Dx

Sx
Dx

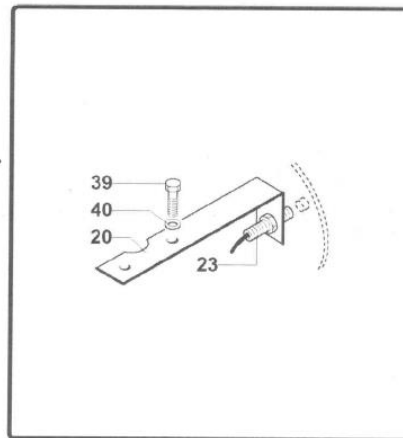
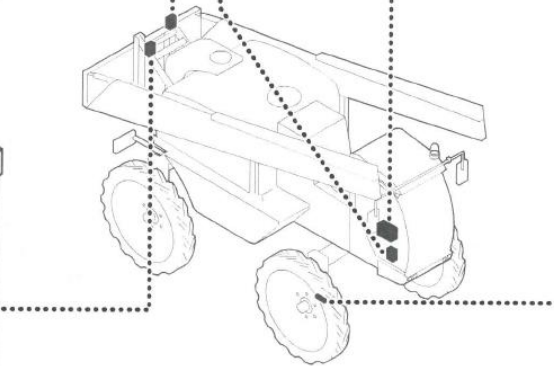
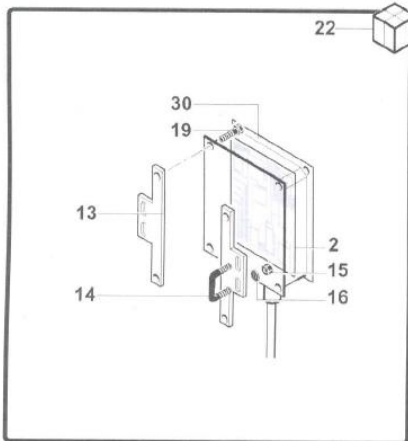
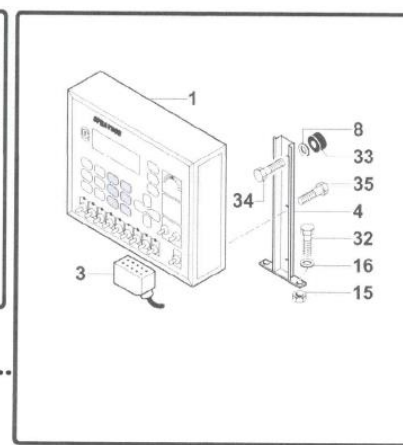
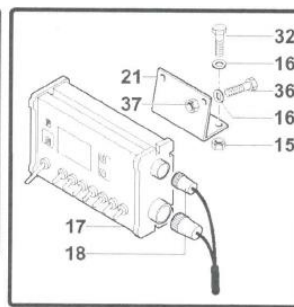
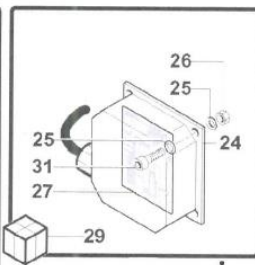
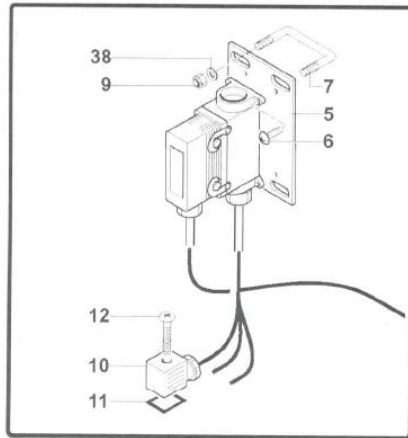


| | |
|----|------------|
| 65 | BB50111339 |
| 66 | BB50121008 |
| 68 | BB50111355 |
| 69 | BB50121010 |
| 71 | BG002929 |
| 72 | BB50312013 |
| 74 | BG006256 |

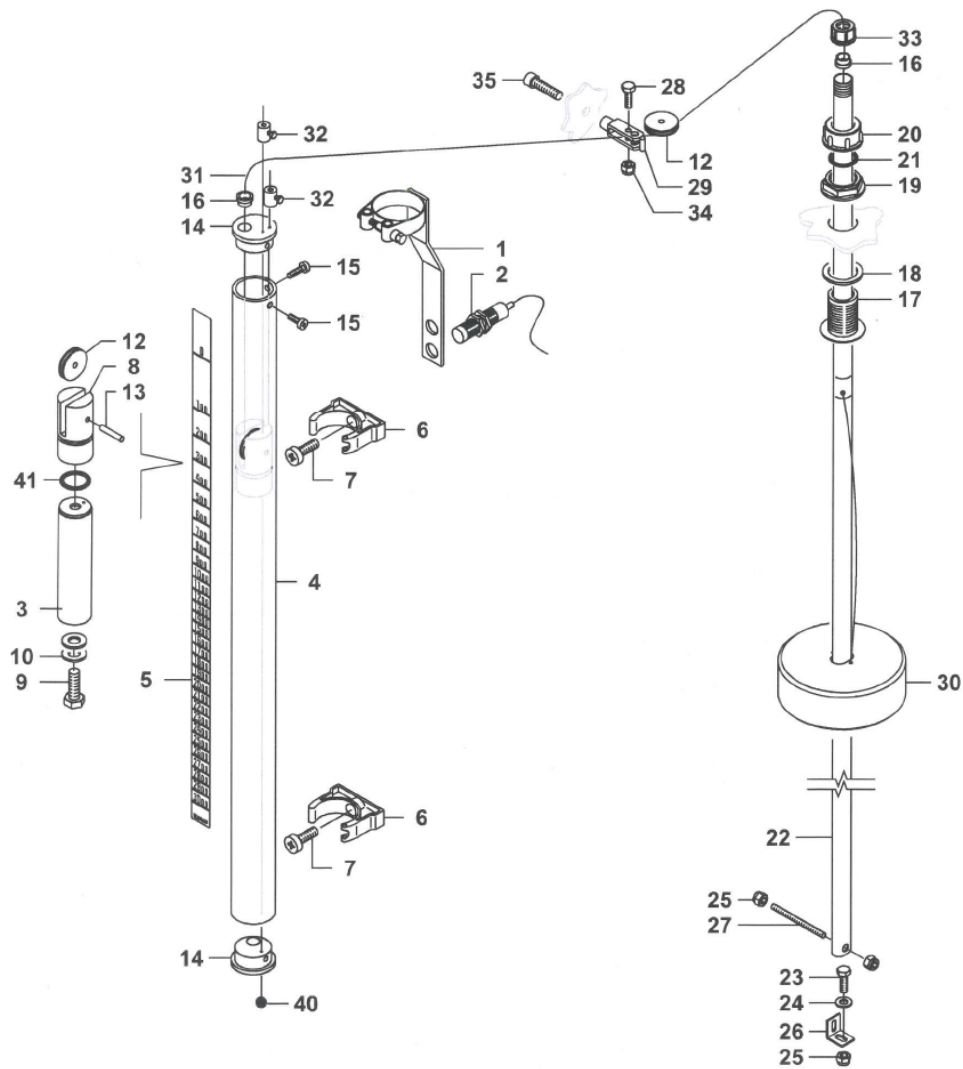


| | |
|----|--------------|
| 7 | BB50111327 |
| 8 | BB50121006 |
| 9 | BB50300102 |
| 10 | BB50101006 |
| 11 | VV002545 |
| 12 | BB50111355 |
| 13 | BB50121010 |
| 14 | BB50314018 |
| 15 | BB603400356 |
| 16 | BB603400355 |
| 17 | BB603400352 |
| 18 | BB603400353 |
| 19 | BB50301011 |
| 20 | BB50301164/1 |
| 21 | BB50300105 |
| 22 | BG015537 |
| 23 | BG013140 |
| 24 | BB50301164/2 |
| 25 | BG011621 |
| 26 | BB50314017 |
| 27 | BB50313008 |
| 28 | BB603400408 |
| 29 | BB40706029 |
| 30 | GG810100031 |
| 31 | BB50362203 |
| 32 | BB025538 |
| 33 | BB50362205 |
| 34 | BB50362201 |
| 35 | BB40706029 |
| 36 | BB50112027 |
| 37 | BB30710503/1 |
| 38 | BG026370 |
| 39 | BG026541 |
| 40 | BG026907 |
| 41 | VV001240 |
| 42 | BG022611 |

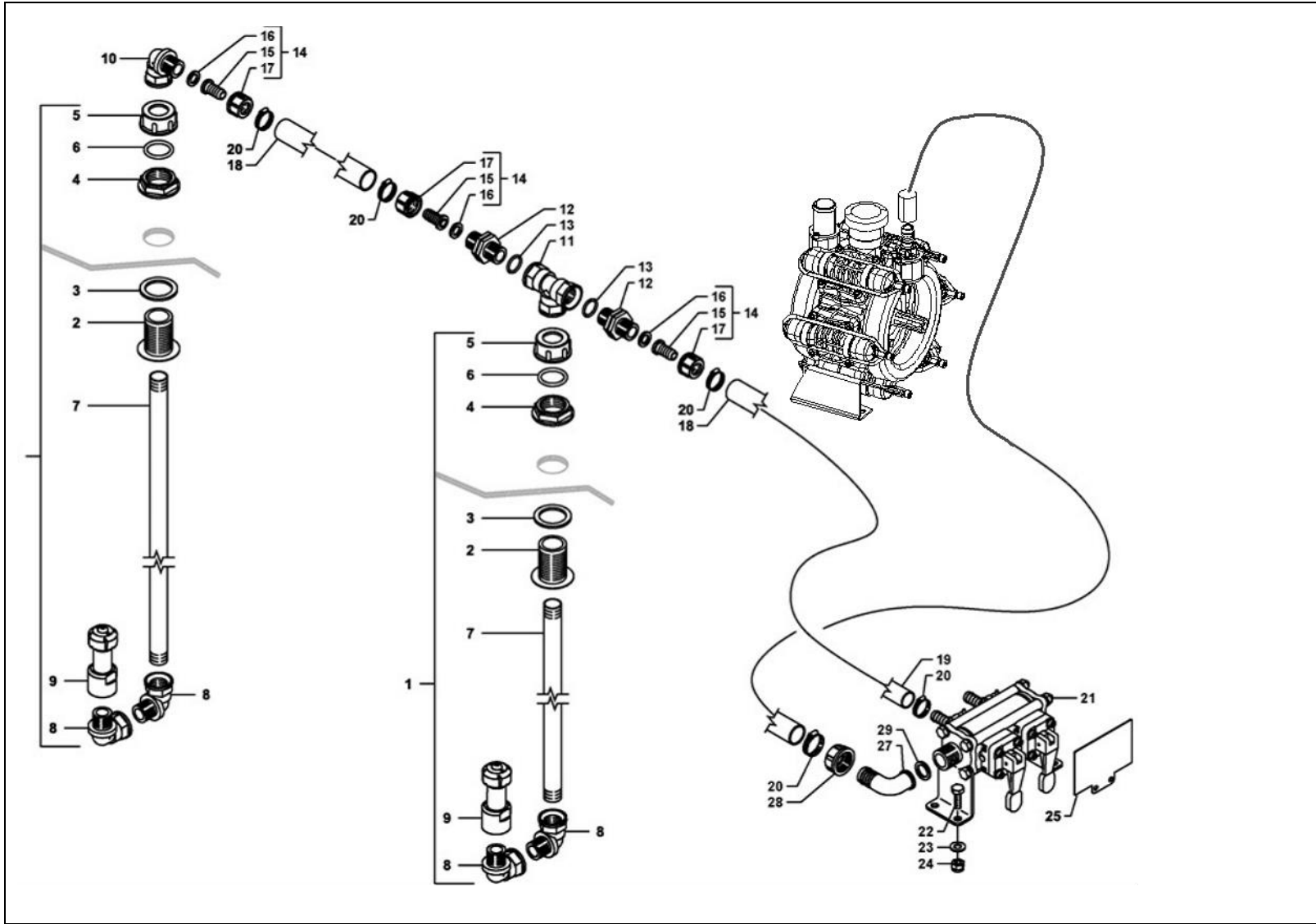
2 POS FIS
2 POS + RIT
2 POS + SIC
3 POS FIS



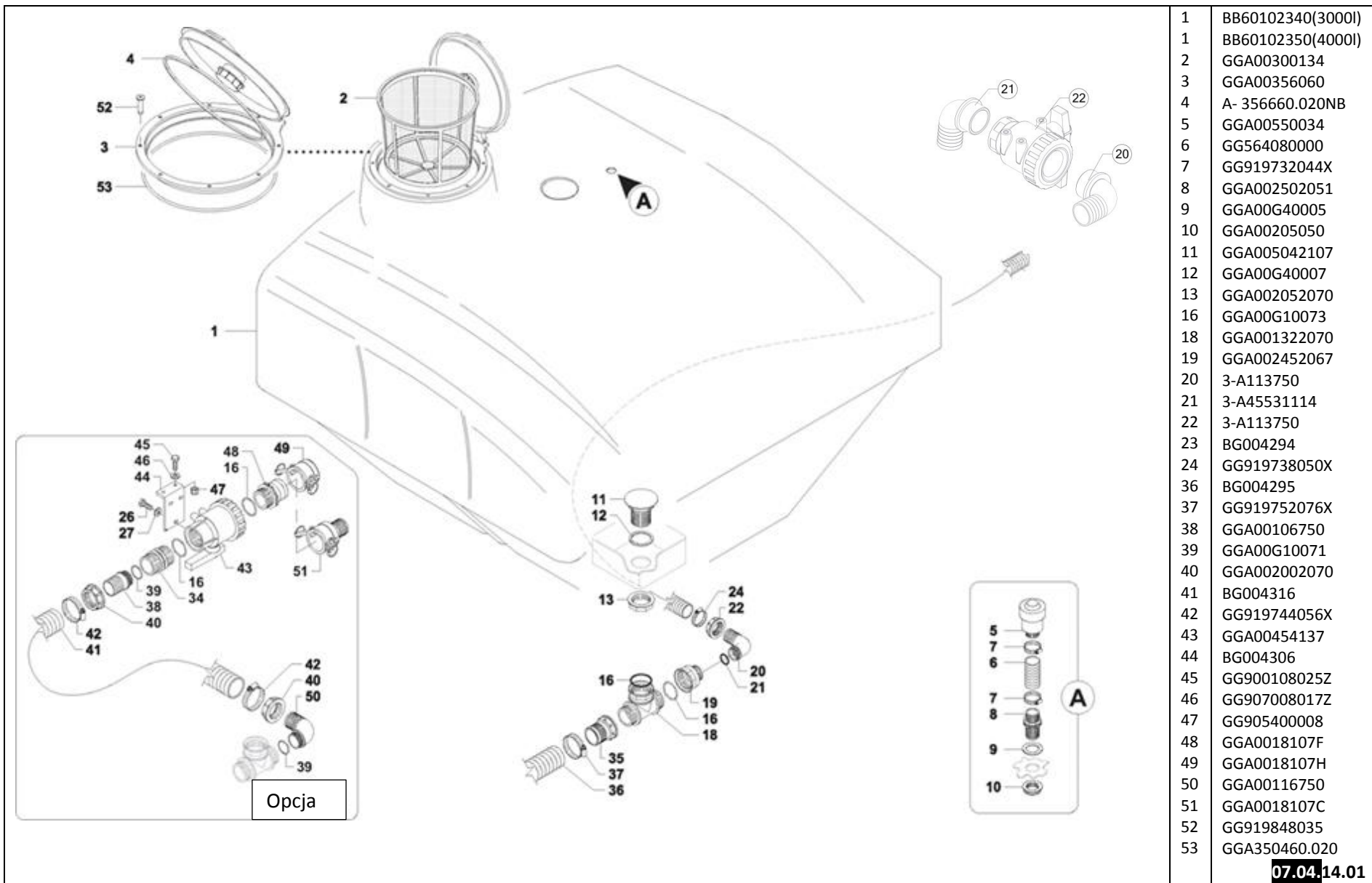
| | | |
|----|--------------|-------------|
| 1 | BG012053 | 5 funz. |
| 1 | BG013776 | 7 funz. |
| 2 | BG007692 | |
| 3 | BG003117 | |
| 4 | BG006468 | |
| 5 | GG650400010V | |
| 6 | GG904905010Z | |
| 7 | GG500500002Z | |
| 8 | GG907008017Z | |
| 9 | GG905400010 | |
| 10 | GG801000015 | |
| 11 | GG801000016 | |
| 12 | GG801000017 | |
| 13 | BG001987 | 854 |
| 14 | GG500500004Z | 844 5 funz. |
| 15 | GG905300006 | 844 7 funz. |
| 16 | GG907106018Z | 844 9 funz. |
| 17 | GG790405106 | 844 |
| 17 | GG790405023 | 854 |
| 17 | BB603405024 | |
| 17 | BG008555 | |
| 18 | BG002161 | |
| 18 | BG002513 | |
| 19 | GG904906010X | |
| 20 | BG018764 | |
| 21 | BG008041 | |
| 22 | BG013112 | |
| 23 | BG007537 | |
| 24 | BB50300102 | |
| 25 | BB50121006 | |
| 26 | BB50101006 | |
| 27 | BG010656 | |
| 28 | BG001379 | |
| 29 | BG013110 | |
| 30 | BB50300103 | |
| 31 | BB50112036 | |
| 32 | GG900106020Z | |
| 33 | GG950200002 | |
| 34 | GG900108016Z | |
| 35 | GG900108020Z | |
| 36 | GG900106016Z | |
| 37 | GG905100006Z | |
| 38 | GG907010021Z | |
| 39 | BB50111338 | |
| 40 | BB50121008 | |



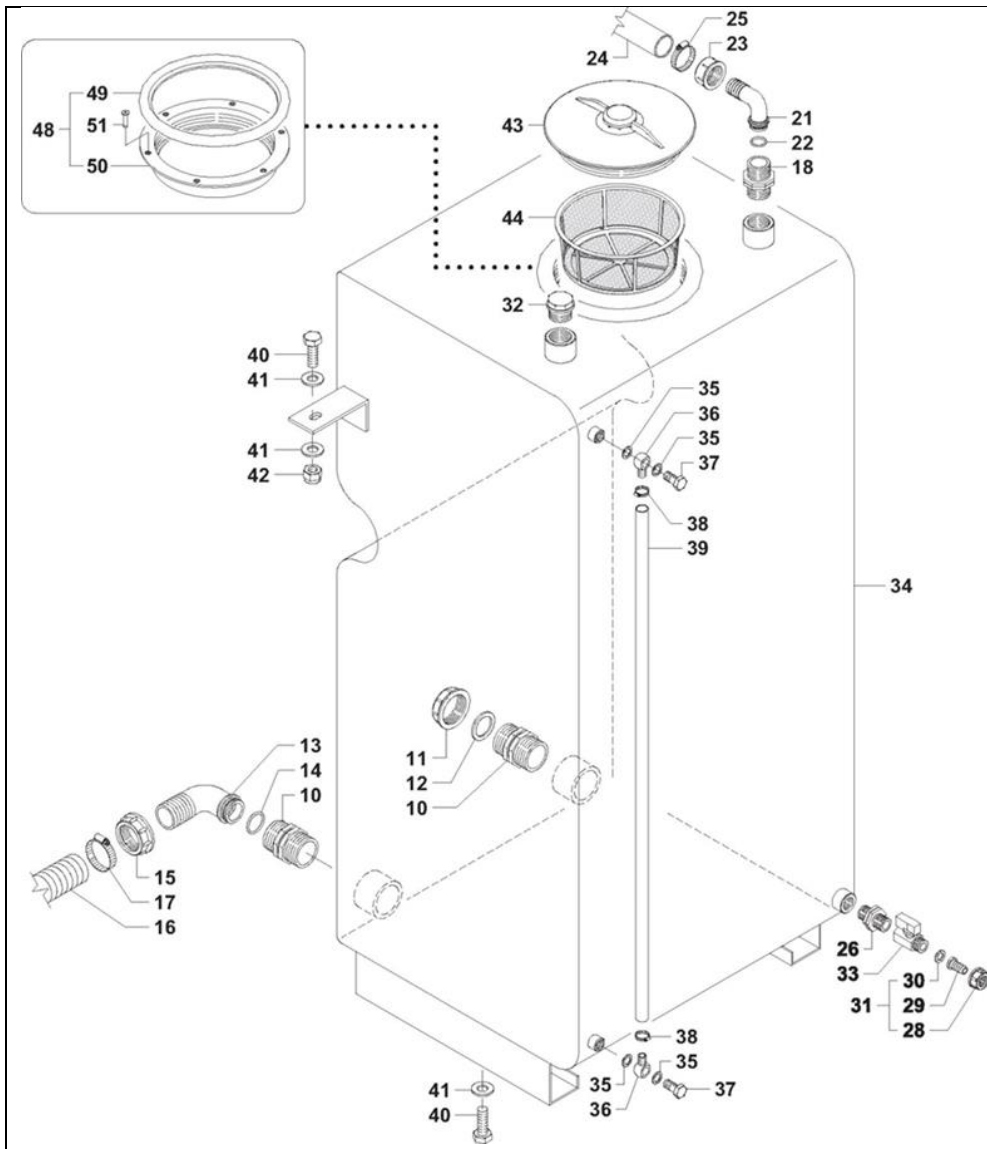
| | | |
|----|---------------|-----------|
| 1 | BG001614 | |
| 2 | BG002000 | |
| 3 | BG002042 | |
| 4 | GG443000305 | 3000-3500 |
| 4 | BG020826 | 4000 |
| 5 | BG005831 | 3000 |
| 5 | BG021936 | 3500 |
| 5 | BG026438 | 4000 |
| 6 | GG950200019 | |
| 7 | GG904906020X | |
| 8 | GG443000310 | |
| 9 | GG900112025Z | |
| 10 | GG907112036Z | |
| 12 | GG443000315 | |
| 13 | GG919800013 | |
| 14 | GG443000300 | |
| 15 | GG904906010X | |
| 16 | GG443000320 | |
| 17 | GGA00220040SS | |
| 18 | GGA00G40004 | |
| 19 | GGA002052040 | |
| 20 | GGA002102040S | |
| 21 | GG600200211 | |
| 22 | GG653000330X | 3000 |
| 22 | GG443000330X | 3500 |
| 22 | GG654000330X | 4000 |
| 23 | GG900106025X | |
| 24 | GG907106018X | |
| 25 | GG905400006X | |
| 26 | BG003913 | |
| 27 | GG500100091X | |
| 28 | GG900508025Z | |
| 29 | BG003616 | |
| 30 | GG501100013 | |
| 31 | BG001968 | |
| 32 | BG004802 | |
| 33 | GGA002002020 | |
| 34 | GG905300006 | |
| 35 | GG900506045X | |
| 40 | BG023901 | |
| 41 | GGA00G10051 | |



| | |
|----|---------------|
| 1 | GG680000075 |
| 2 | GGA00220040SS |
| 3 | GGA00G40004 |
| 4 | GGA00205040 |
| 5 | GGA00210040S |
| 6 | GG600200211 |
| 7 | GG550000570 |
| 8 | GGA001262022 |
| 9 | BG027143 |
| 10 | GGA001262022 |
| 11 | GGA001302020 |
| 12 | GGA002502020 |
| 13 | GGA00G10041 |
| 14 | GG999900035 |
| 15 | GGA00105213 |
| 16 | GGA00G40012 |
| 17 | GGA00200021 |
| 21 | BG012445 |
| 22 | GG900108020Z |
| 23 | GG907008017Z |
| 24 | GG905400008 |
| 25 | BG001168 |
| 30 | GG561900000 |
| 31 | GG919714027X |

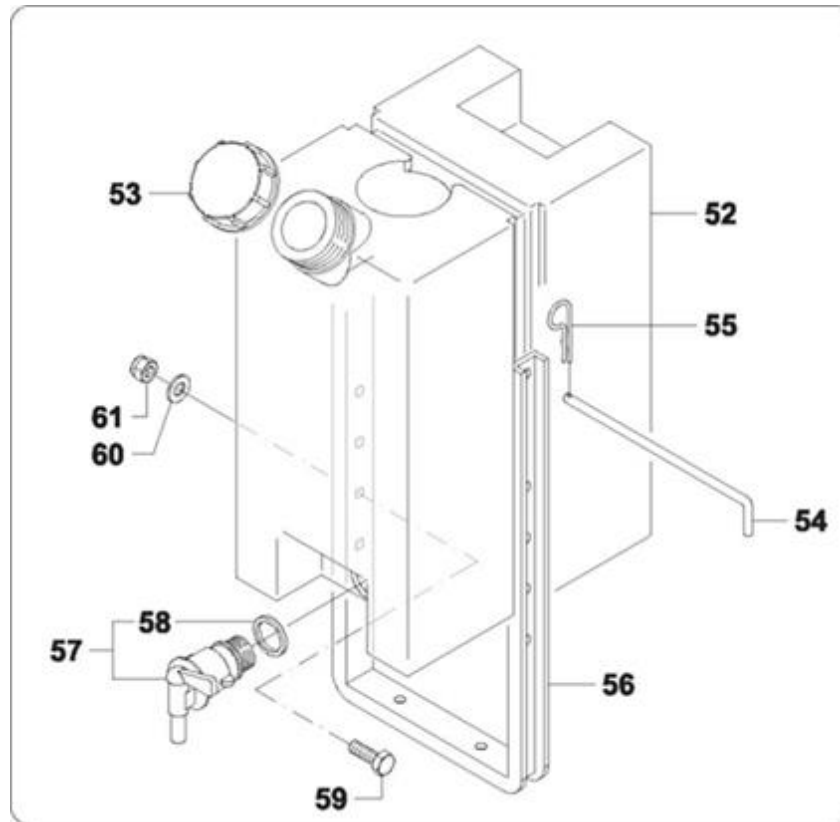


| | |
|----|-------------------|
| 1 | BB60102340(3000l) |
| 1 | BB60102350(4000l) |
| 2 | GGA00300134 |
| 3 | GGA00356060 |
| 4 | A- 356660.020NB |
| 5 | GGA00550034 |
| 6 | GG564080000 |
| 7 | GG919732044X |
| 8 | GGA002502051 |
| 9 | GGA00G40005 |
| 10 | GGA00205050 |
| 11 | GGA005042107 |
| 12 | GGA00G40007 |
| 13 | GGA002052070 |
| 16 | GGA00G10073 |
| 18 | GGA001322070 |
| 19 | GGA002452067 |
| 20 | 3-A113750 |
| 21 | 3-A45531114 |
| 22 | 3-A113750 |
| 23 | BG004294 |
| 24 | GG919738050X |
| 36 | BG004295 |
| 37 | GG919752076X |
| 38 | GGA00106750 |
| 39 | GGA00G10071 |
| 40 | GGA002002070 |
| 41 | BG004316 |
| 42 | GG919744056X |
| 43 | GGA00454137 |
| 44 | BG004306 |
| 45 | GG900108025Z |
| 46 | GG907008017Z |
| 47 | GG905400008 |
| 48 | GGA0018107F |
| 49 | GGA0018107H |
| 50 | GGA00116750 |
| 51 | GGA0018107C |
| 52 | GG919848035 |
| 53 | GGA350460.020 |

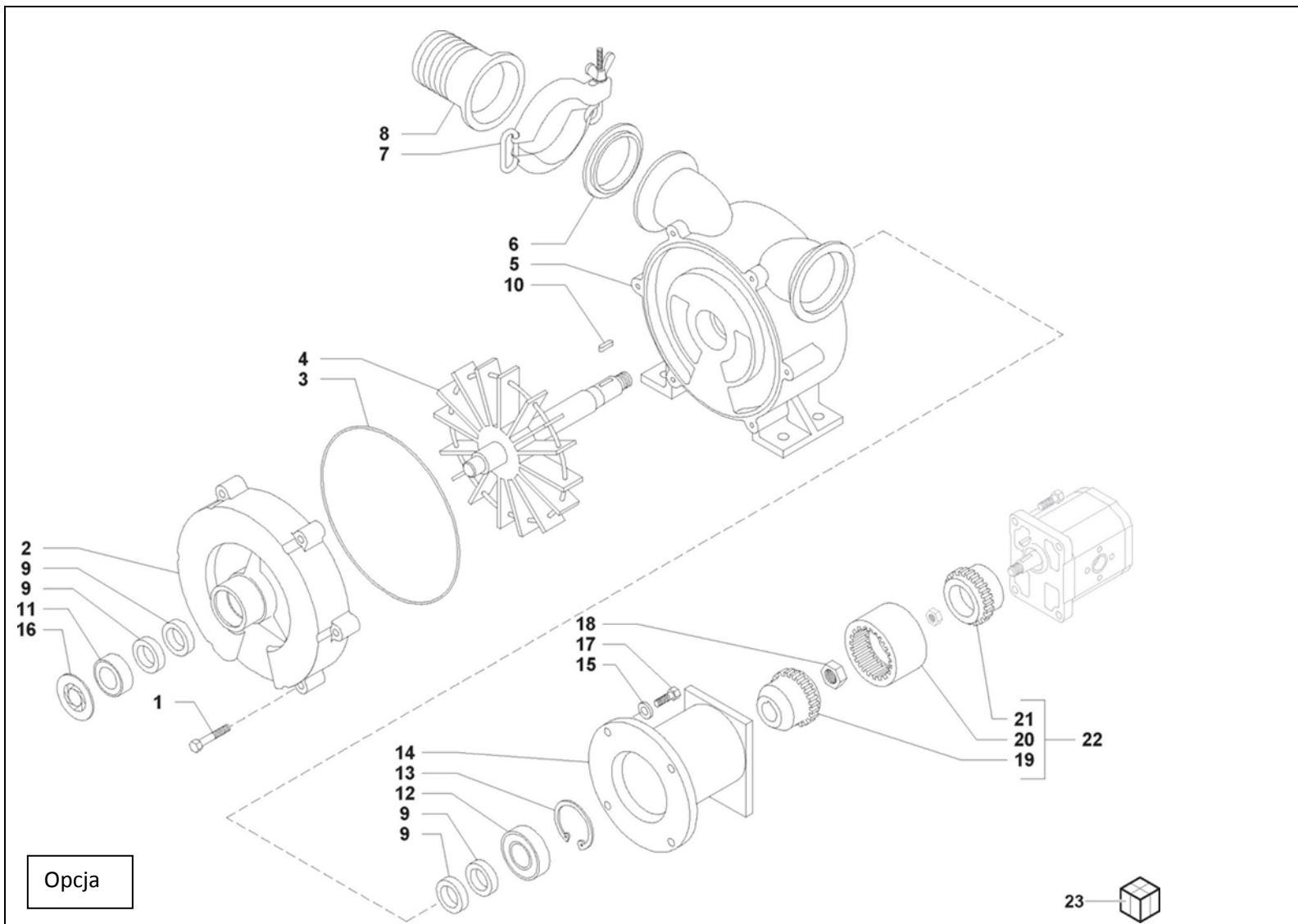


| | |
|----|---------------|
| 10 | GGA002502060 |
| 11 | GGA002102060 |
| 12 | GGA00G40004 |
| 13 | GGA00116640 |
| 14 | GGA00G10061 |
| 15 | GGA002002060 |
| 16 | GG564080000 |
| 17 | GG919732044X |
| 18 | GGA002502040 |
| 21 | GGA00116425 |
| 22 | GGA00G10041 |
| 23 | GGA002002040 |
| 24 | GG562501000 |
| 25 | GG919717032X |
| 26 | GGA002502020 |
| 28 | GGA002002020 |
| 29 | GGA00105213 |
| 30 | GGA00G40012 |
| 31 | GG999900035 |
| 32 | BG005766 |
| 33 | GG570100014 |
| 34 | BG003623 |
| 35 | BB50243113 |
| 36 | BB50234200 |
| 37 | BB50232102 |
| 38 | BB50145001 |
| 39 | BB50900307 |
| 40 | BB50111358 |
| 41 | BB50121010 |
| 42 | BB50101010 |
| 43 | BB602352022 |
| 44 | BB602300315 |
| 48 | GGA00350620 |
| 49 | GGA00350420 |
| 50 | GGA350620.020 |
| 51 | GG919848035 |
| 52 | S- 902009 |

07.04.06.01



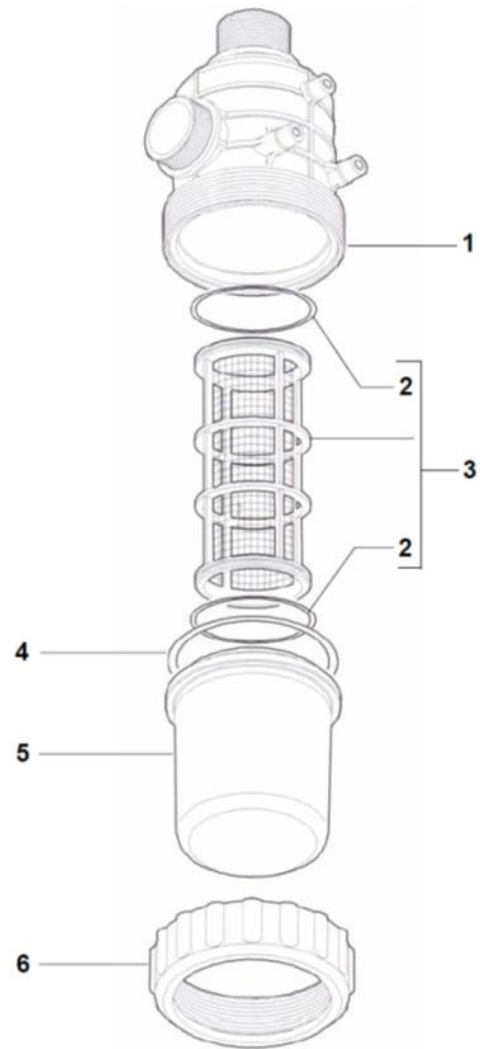
- 53 GG790902018
- 54 S- 901113
- 55 S- 110200
- 56 S- 902511
- 57 GG630100020
- 58 GGA00G40003
- 59 GG900308035Z
- 60 GG907006018Z
- 61 GG905400008



| | |
|----|--------------------------|
| 1 | L-1403082212 |
| 2 | L-34206017 |
| 3 | BB60101857 |
| 4 | L-34341027 |
| 5 | L-34201027 |
| 6 | L-34343036 |
| 7 | L-34437004 |
| 8 | L-34601060 |
| 9 | BB60101856 |
| 10 | L-1463031214 |
| 11 | L-106204-2RS |
| 12 | L-106305-2RS |
| 13 | L-1456006200 |
| 14 | BB2060900008 |
| 15 | GG907008017X |
| 16 | BB60101858 |
| 17 | L-1403081512 |
| 18 | L-1423001802 |
| 19 | L-34434012 |
| 20 | BB2060900010/2 |
| 21 | L-34434011 |
| 22 | BB60101860 |
| 23 | BB60101850 (400l/min) |

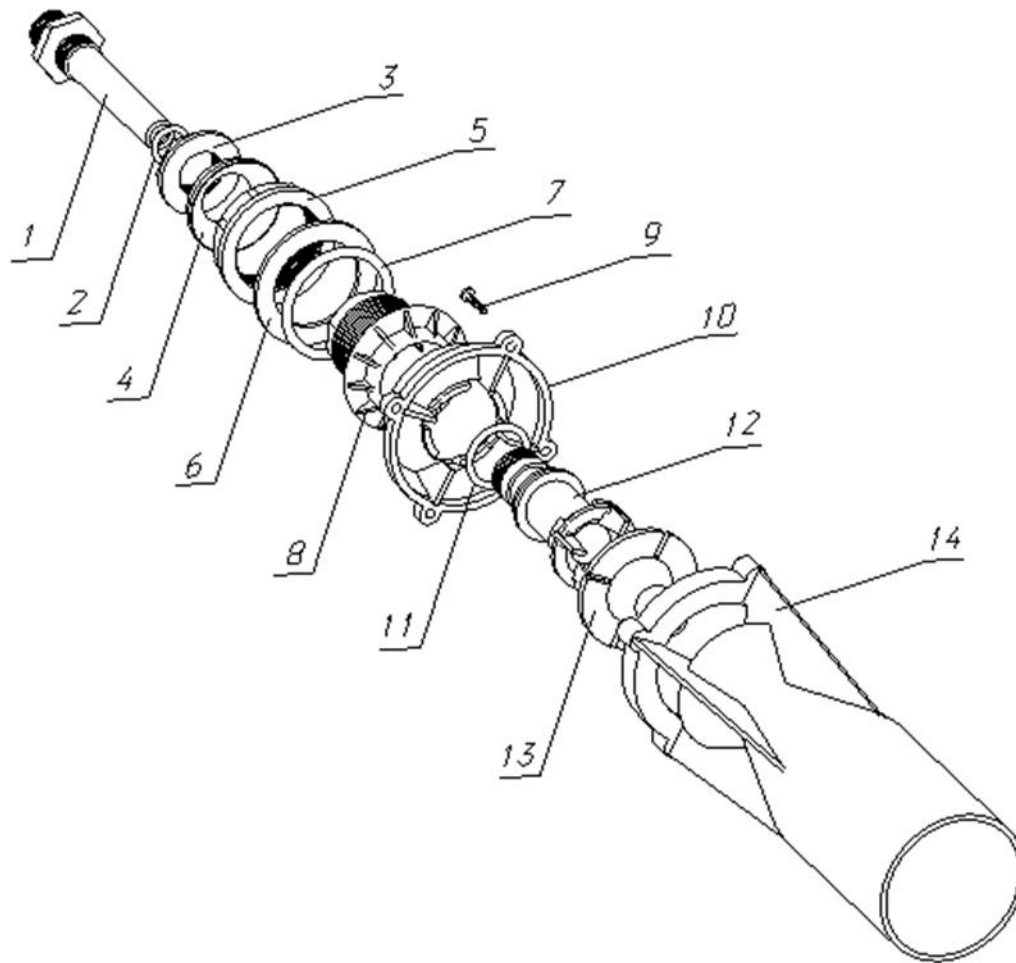
Opcja

07 04 01 01

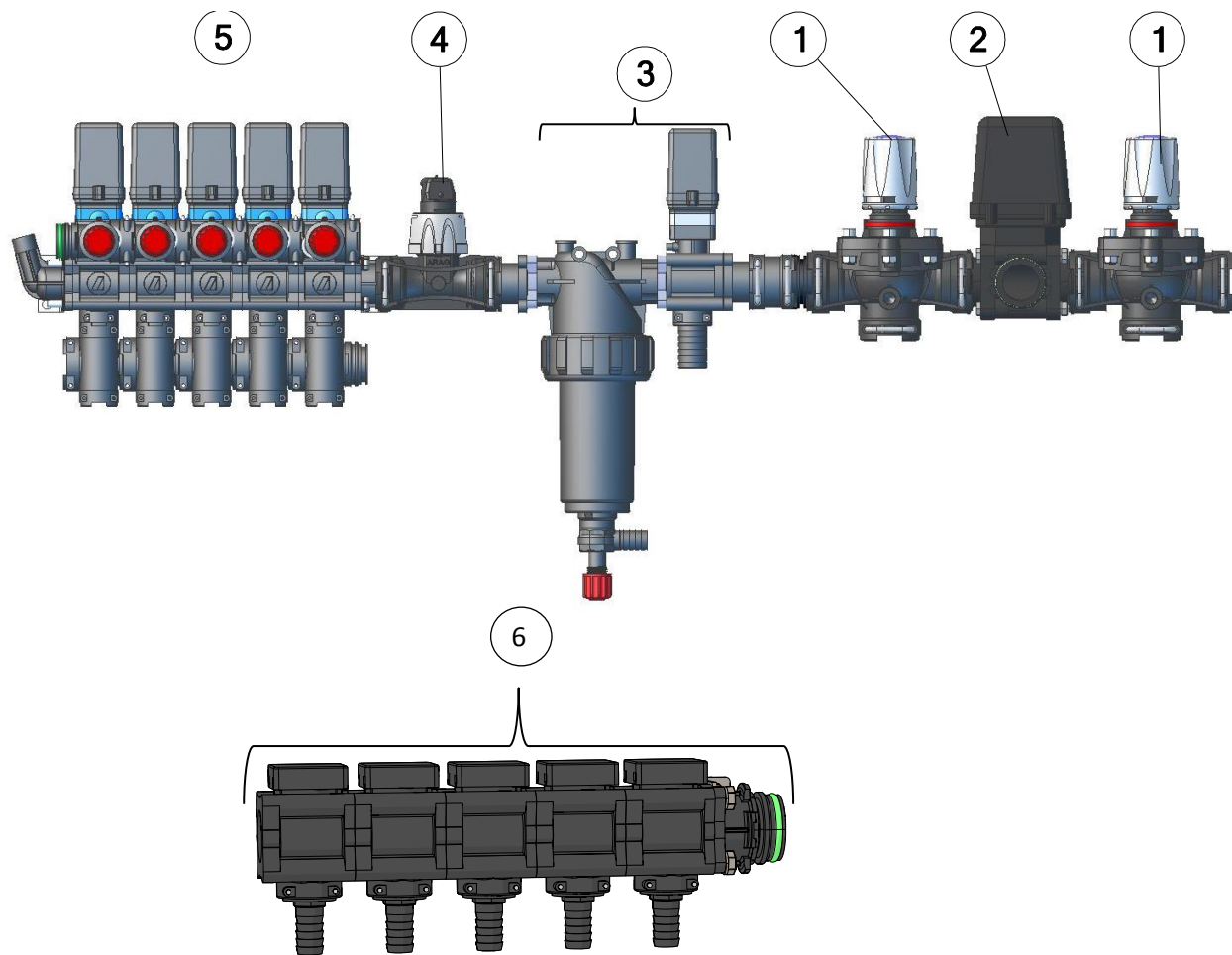


- | | |
|----|---------------|
| 1. | A- 316080.010 |
| 2. | GGA316300.060 |
| 3. | GGA317003.030 |
| 4. | GGA316000.050 |
| 5. | GGA317000.020 |
| 6. | GGA316000.040 |
| 7. | GGA00317083 |

07 05 03 01

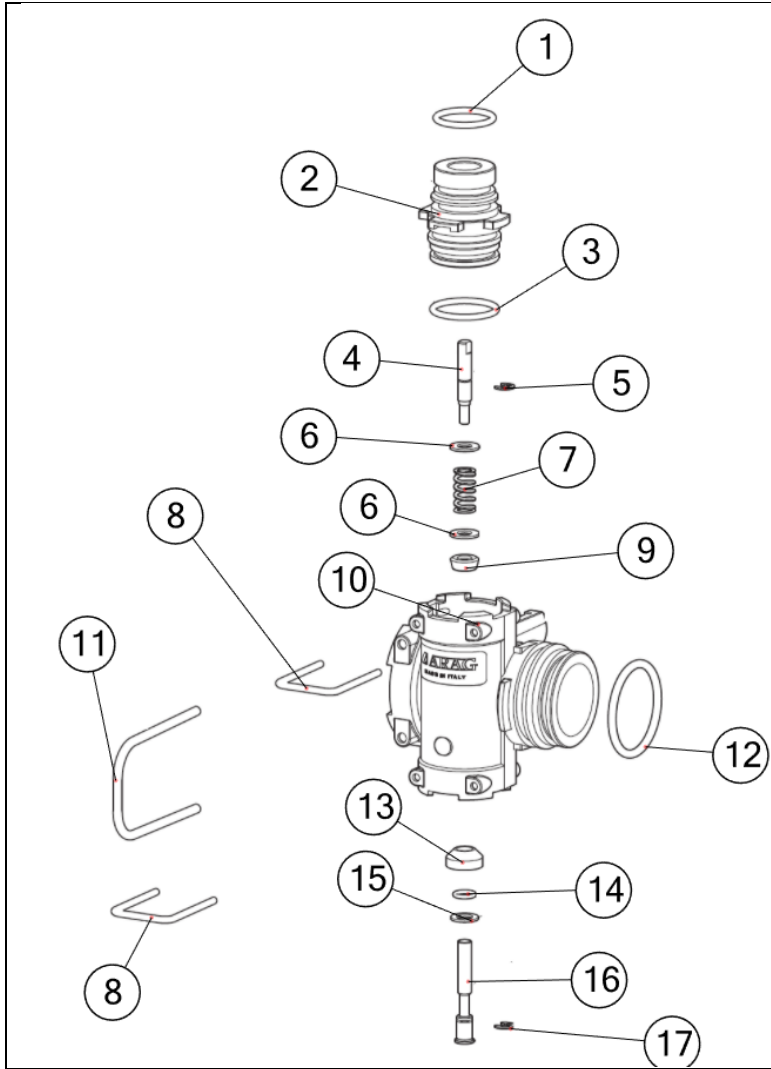


- | | |
|-----|--------------------------|
| 1. | 502063(ø3) 502065(ø5) |
| 2. | G10020 |
| 3. | 205030 |
| 4. | 502060060 |
| 5. | 205060 |
| 6. | G40006 |
| 7. | G11018 |
| 8. | 502060020 |
| 9. | V2B34F |
| 10. | 502060020 |
| 11. | 502060090 |
| 12. | 502060010 |
| 13. | 505060040 |
| 14. | 502060030 |



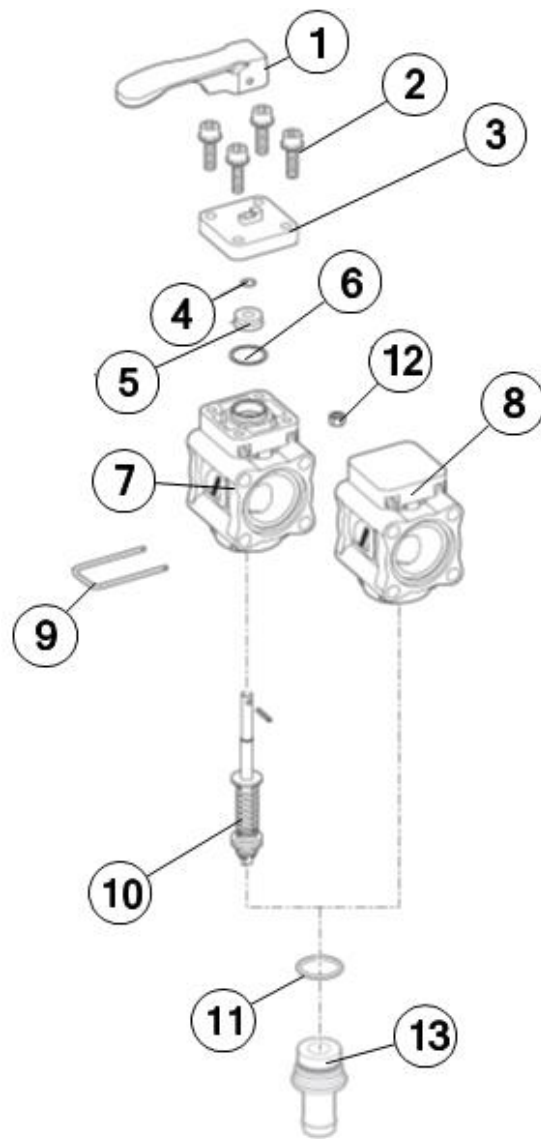
- | | |
|---|---------------|
| 1 | 3-A4755612 |
| 2 | 3-A453714S66T |
| 3 | 3-A473CKU01 |
| 4 | 3-A4626415 |
| 5 | 3-A86301551 |
| 6 | 3-A473CKU01 |

k

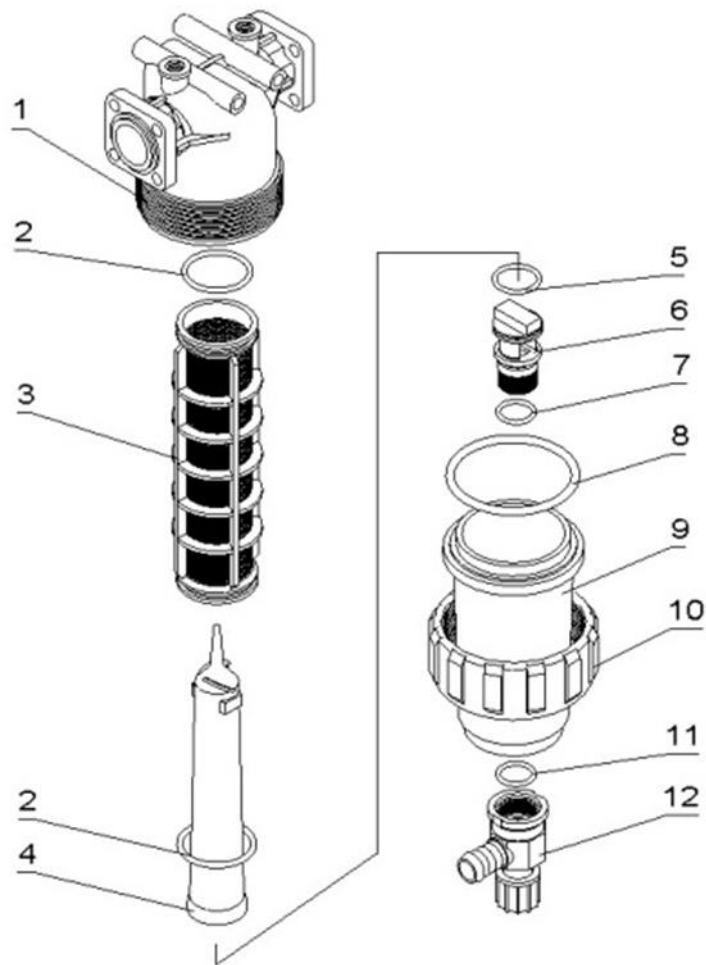


| | |
|----|--------------|
| 1 | G11058V |
| 2 | 4732000.220 |
| 3 | G11058V |
| 4 | 4732000.230 |
| 5 | B352D0 |
| 6 | B202F2 |
| 7 | 46320000.260 |
| 8 | 010003 |
| 9 | 4632000.250 |
| 10 | 4632000.210 |
| 11 | 010005 |
| 12 | G11063V |
| 13 | 463001HS.060 |
| 14 | 465910.070V |
| 15 | B202G0 |
| 16 | 4632000.240 |
| 17 | B352D0 |

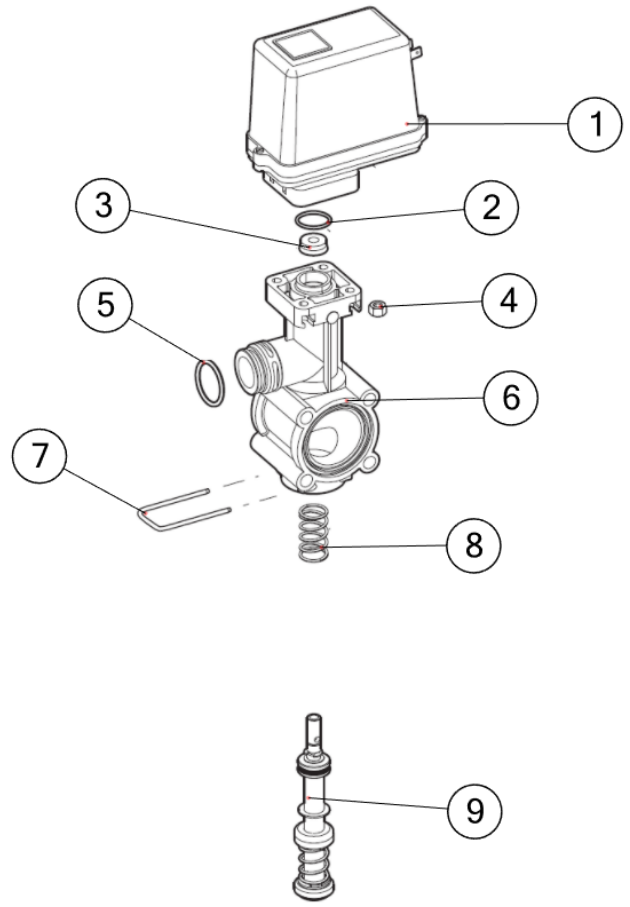
07.10.01



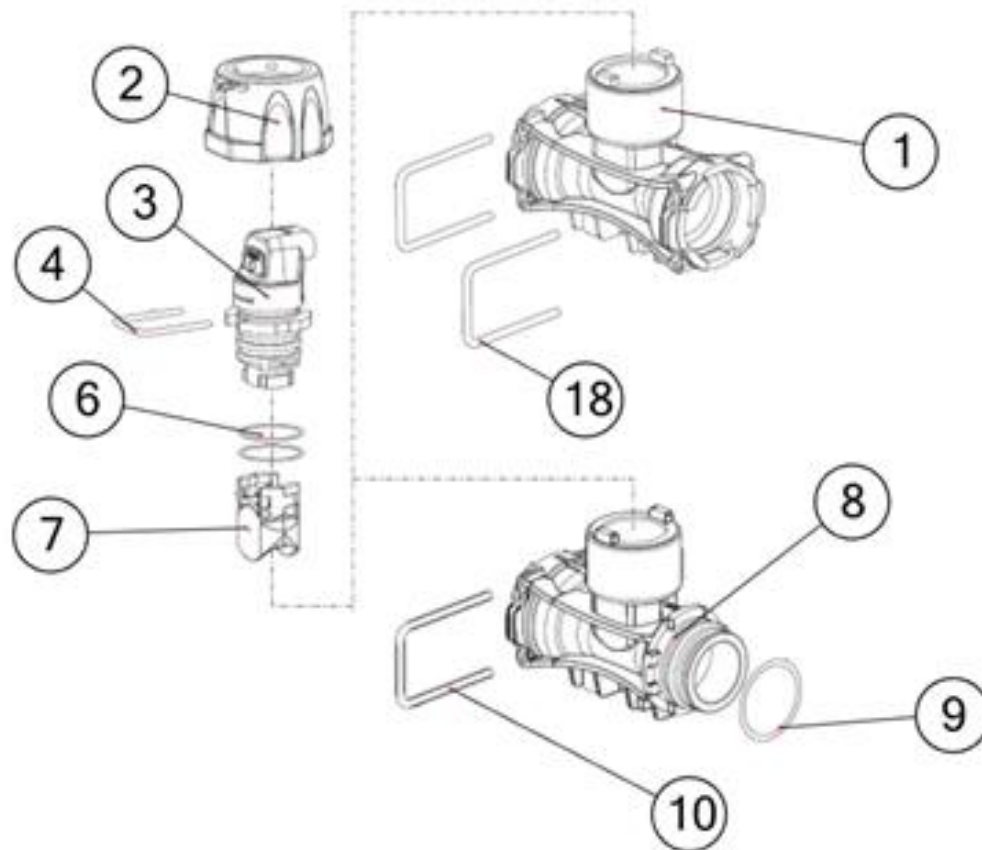
| | |
|----|-------------|
| 1 | 463051.140 |
| 2 | V1Q13I |
| 3 | 463051.130 |
| 4 | G11019V |
| 5 | 465900.180 |
| 6 | 465900.060 |
| 7 | 4630001.010 |
| 8 | 4630050.010 |
| 9 | 010002 |
| 10 | 463051.550 |
| 11 | 465005.140V |
| 12 | B10132 |
| 13 | 463001.A13 |



- | | |
|-----|-------------|
| 1. | 3262010 010 |
| 2. | G10052 |
| 3. | 3260035 030 |
| 4. | 326210 062 |
| 5. | 322000 050 |
| 6. | 326210 061 |
| 7. | OR2222262 |
| 8. | G10090 |
| 9. | 3262100.02 |
| 10. | 3262000 050 |
| 11. | G10051V |
| 12. | 3262100 100 |



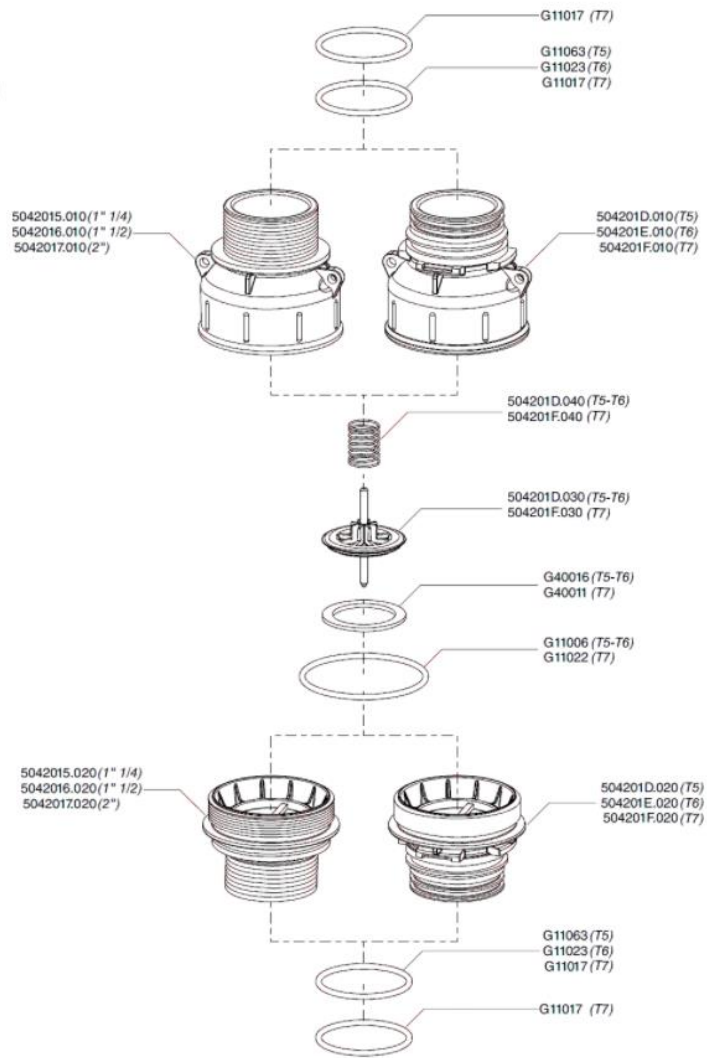
- 1 46539205
- 2 465900.60
- 3 465900.180
- 4 B10232
- 5 G11058V
- 6 4730011.010
- 7 010003
- 8 473001.051
- 9 473011.550



| | |
|----|---|
| 1 | 4626305.010 (5-100l/min) T5 4626405.010 (10-200l/min)T5 4626406.010 (10-200Lmin)T6 4626506.010 (20-400l/min)T6 4626707.010 (40-800l/min)T7 |
| 2 | 4626000.020 |
| 3 | 4626000.300 |
| 4 | 010003 |
| 6 | G10051V |
| 7 | 4626000.500 4626315.010 |
| 8 | (5-100l/min) T5 4626415.010 (10-200l/min) T5 |
| 9 | G11063V |
| 10 | 010005 |
| 18 | 010005 T5 010006 T6 010007 T7 |



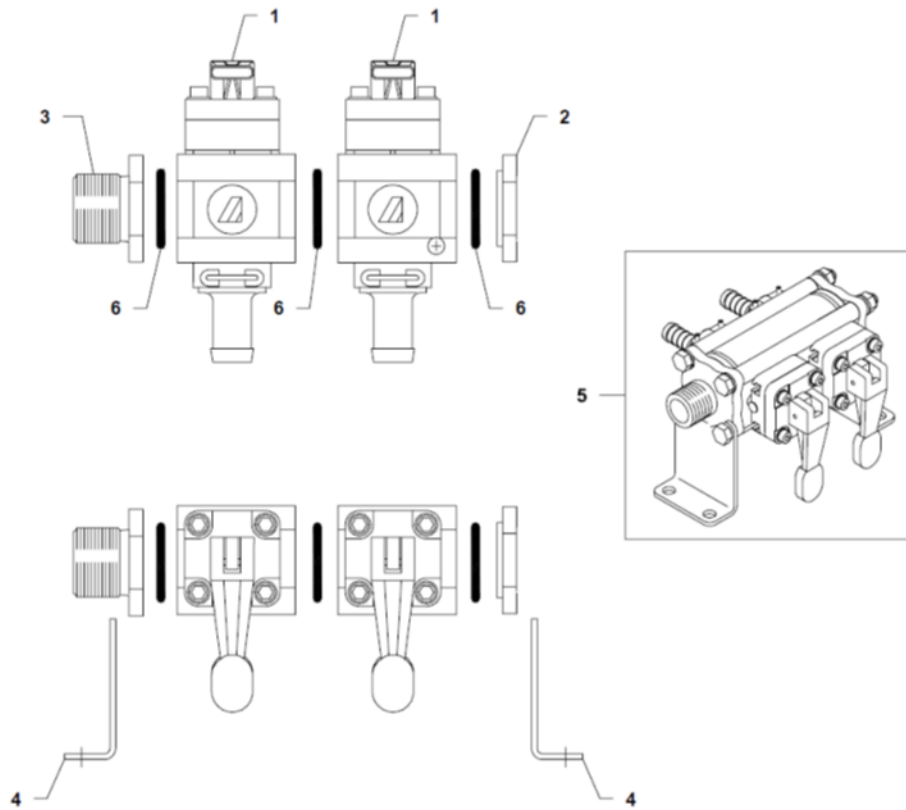
1



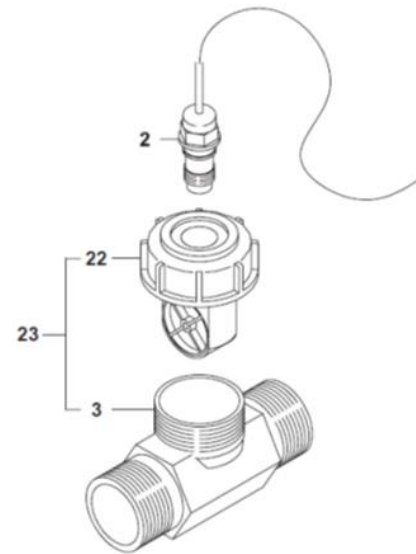
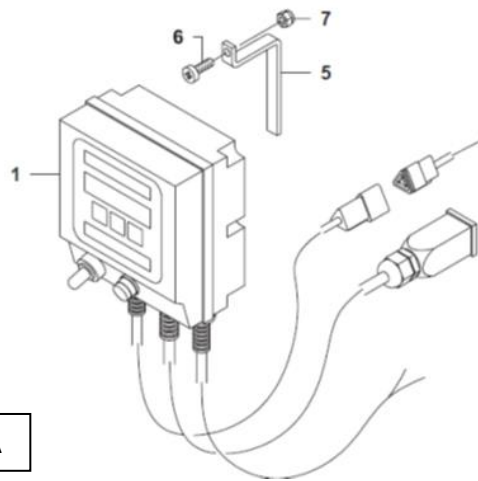
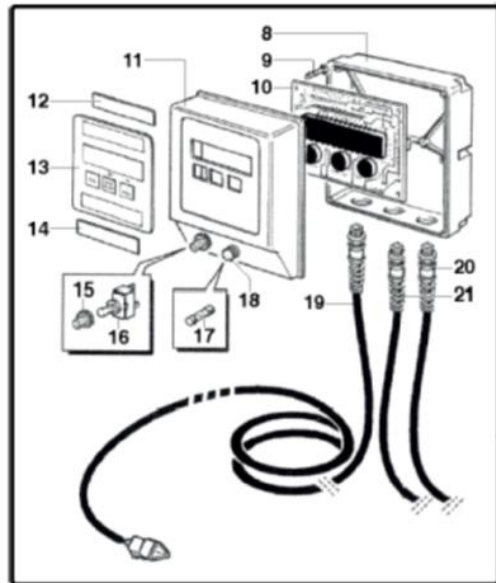
1

3-A504201B

07.15.01



- 1 3-A463051
- 2 GGA463011.110
- 3 BG012463
- 4 GGA463011.100
- 5 BG012445
- 6 GGA00G10071V



OPCJA

| | |
|----|--------------|
| 1 | P-00379001 |
| 2 | BG020209 |
| 3 | P-32302532 |
| 4 | P-30302899 |
| 5 | BG003637 |
| 6 | GG904505015Z |
| 7 | GG905400005X |
| 8 | P-01301932 |
| 9 | P-86466225 |
| 10 | P-01304399 |
| 11 | P-01302032 |
| 12 | P-01304732 |
| 13 | P-01302232 |
| 14 | P-01304832 |
| 15 | P-83090100 |
| 16 | P-83082000 |
| 17 | GGA00EFT15A0 |
| 18 | P-83015100 |
| 19 | P-01302699 |
| 20 | P-01302799 |
| 21 | P-01304499 |
| 22 | BG015589 |
| 23 | BG015710 |
| 24 | BG012661 |

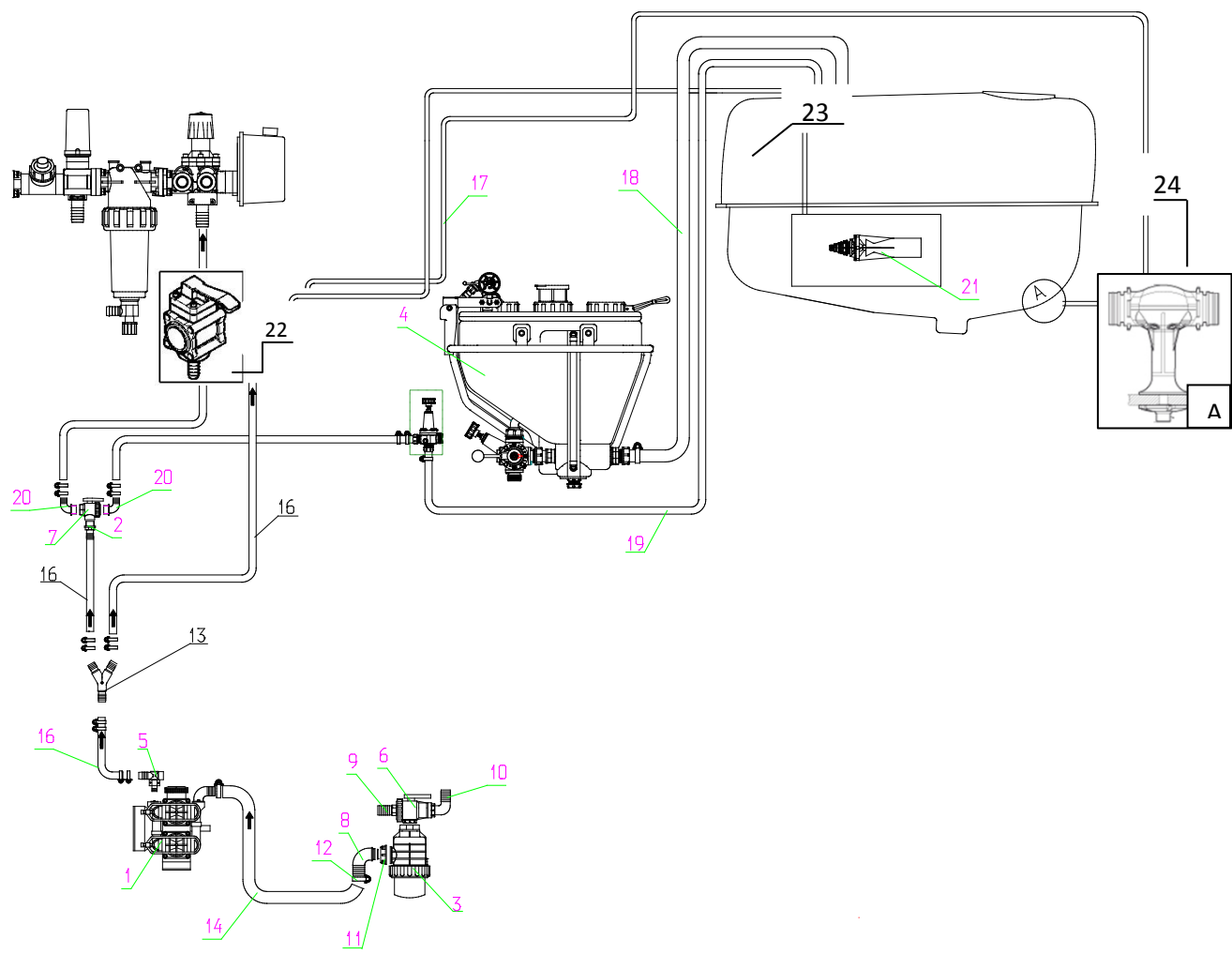


1

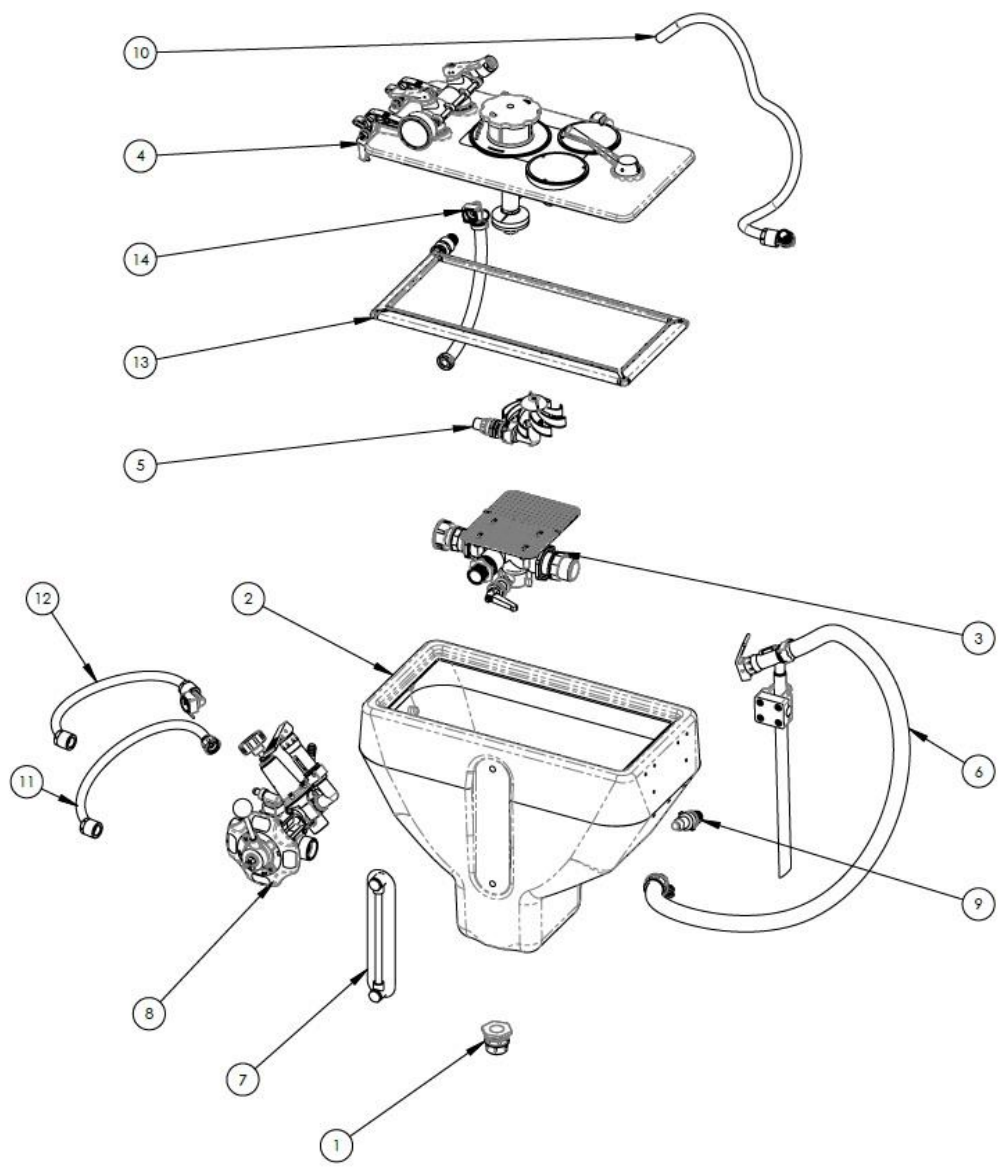
1

003790G3

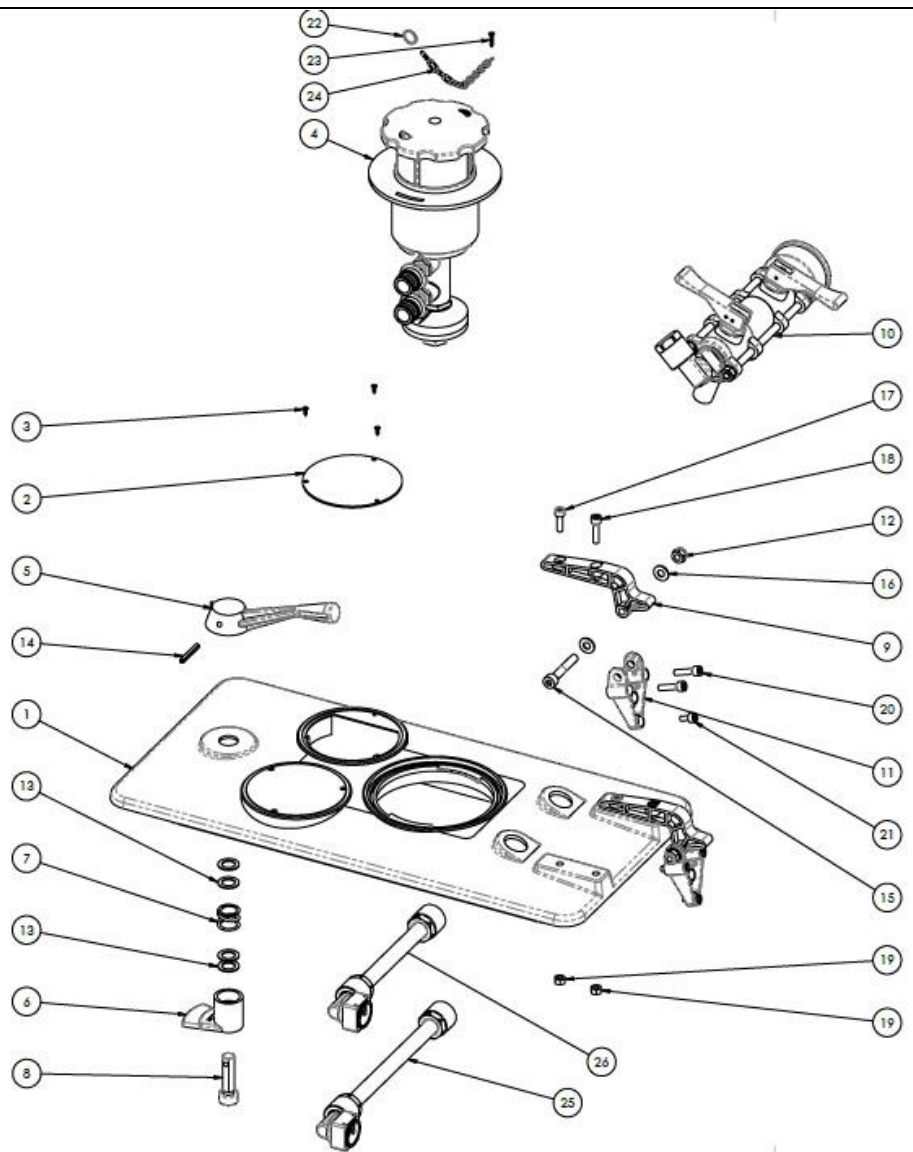
07.18.01



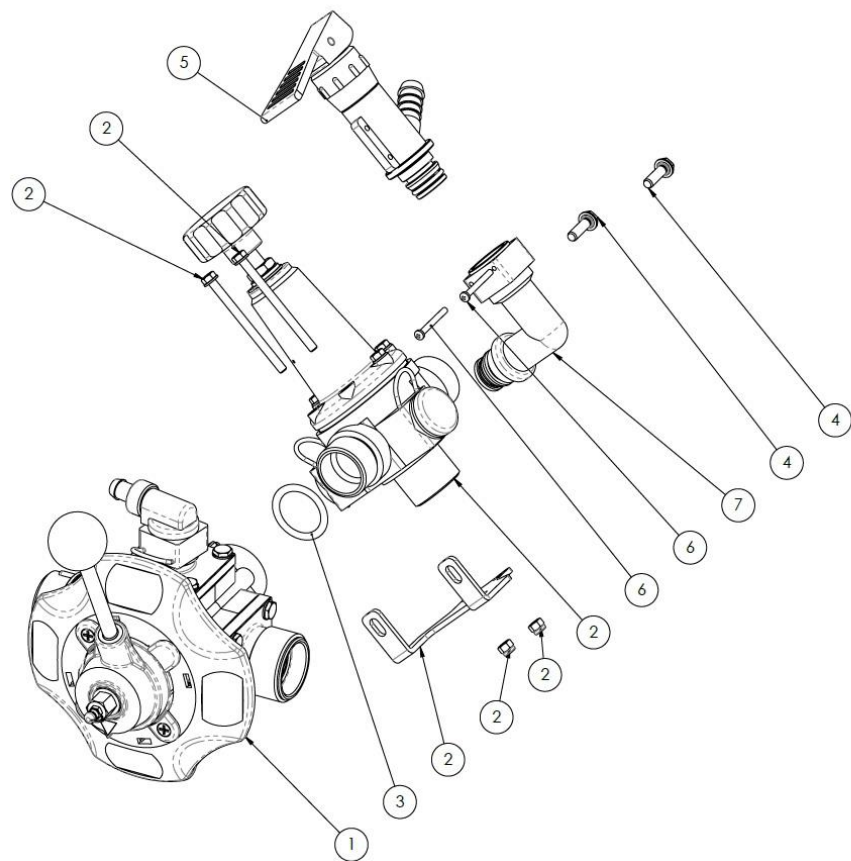
| | |
|----|---------------|
| 1 | 3-C6111003200 |
| 2 | 3-A113425 |
| 3 | 3-A2172073 |
| 4 | 3-P00184404 |
| 5 | 3-C2803014100 |
| 6 | 3-A45521117 |
| 7 | 3-A45531114 |
| 8 | 3-A116750 |
| 9 | 3-A103751 |
| 10 | 3-A113750 |
| 11 | 3-A200070 |
| 12 | 3-OB0B055059 |
| 13 | 3-A 140002 |
| 14 | 3-TRIC033330 |
| 15 | 3-PCVS010S |
| 16 | 3-TRIC159025 |
| 17 | 3-TRIC159025 |
| 18 | 3-TRIC032650 |
| 19 | 3TRIC159025 |
| 20 | 3-A1132425 |
| 21 | 3-A5020715 |
| 22 | 3-A463051 |
| 23 | 3-TERIC159030 |
| 24 | 3-A5020715 |



- 1. 63433799
- 2. PVK06062
- 3. P1001786
- 4. 63463799.3
- 5. P1001785
- 6. 63433999
- 7. P1001733
- 8. P1001783
- 9. P1001784
- 10. P1001802
- 11. P1001800
- 12. P1001797
- 13. P0006066
- 14. P1001810

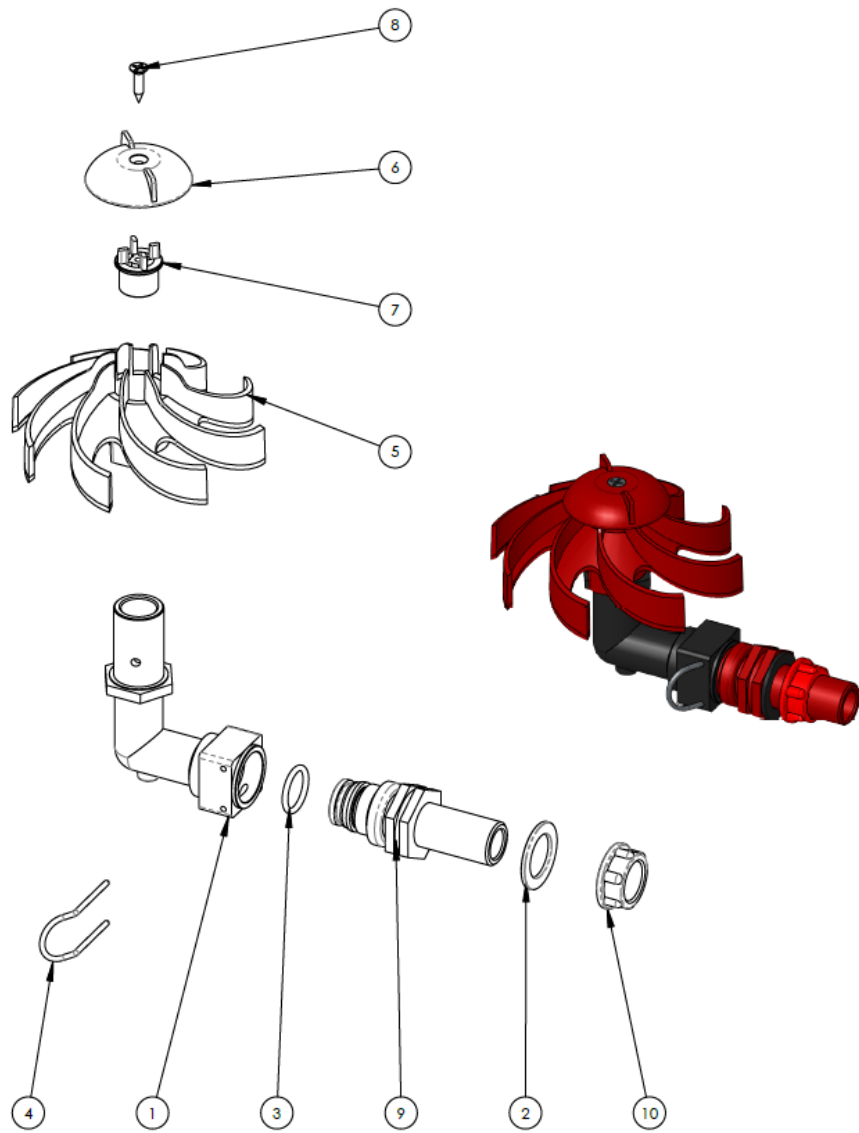


| | |
|----|------------|
| 1 | P0002847 |
| 2 | 63406632 |
| 3 | 86465525 |
| 4 | 62408259.1 |
| 5 | 63403232 |
| 6 | 63402132 |
| 7 | 68401061 |
| 8 | 63402232.1 |
| 9 | 63470732 |
| 10 | 62460499 |
| 11 | 63461432 |
| 12 | 81455525 |
| 13 | 82205325 |
| 14 | 80202325 |
| 15 | 86288300 |
| 16 | 82200300 |
| 17 | 86217125 |
| 18 | 86221425 |
| 19 | 81452325 |
| 20 | 86221400 |
| 21 | 86201900 |
| 22 | 63411225 |
| 23 | 86465925 |
| 24 | 63411525 |
| 25 | P1001798 |
| 26 | P1001770 |

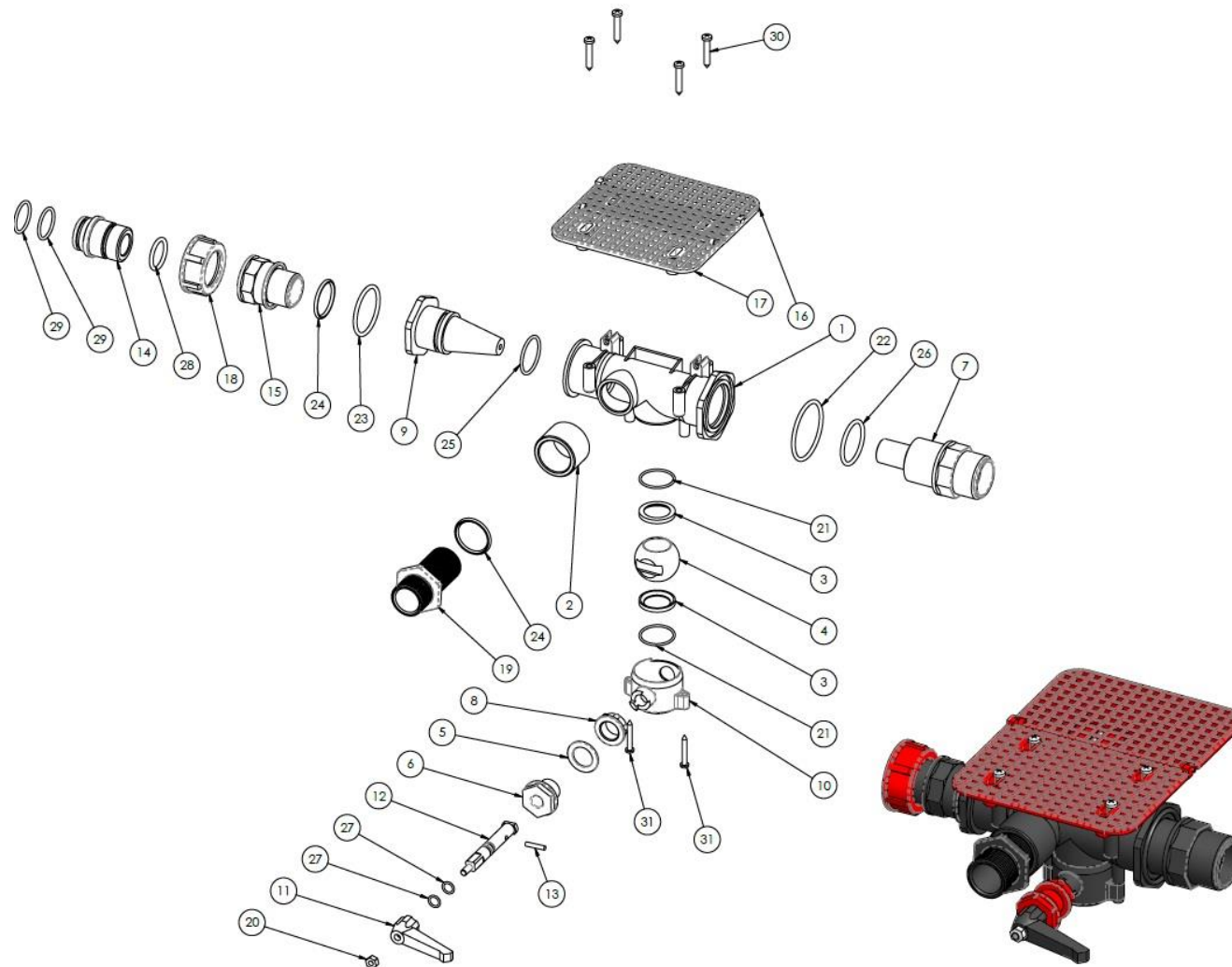


- | | |
|---|------------|
| 1 | VTD93300.5 |
| 2 | 63434099 |
| 3 | 80011332 |
| 4 | 86228925 |
| 5 | 01200305 |
| 6 | 86169825 |
| 7 | P0003277 |

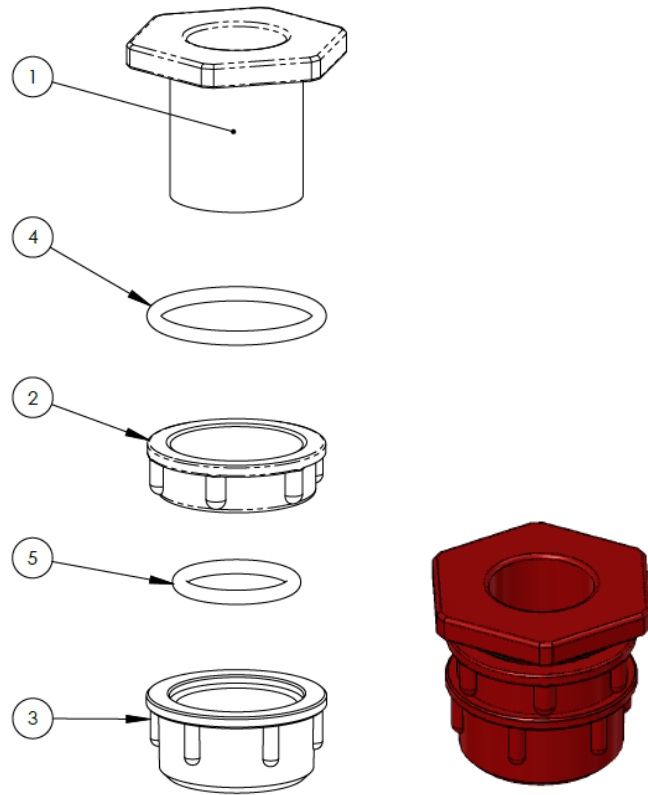




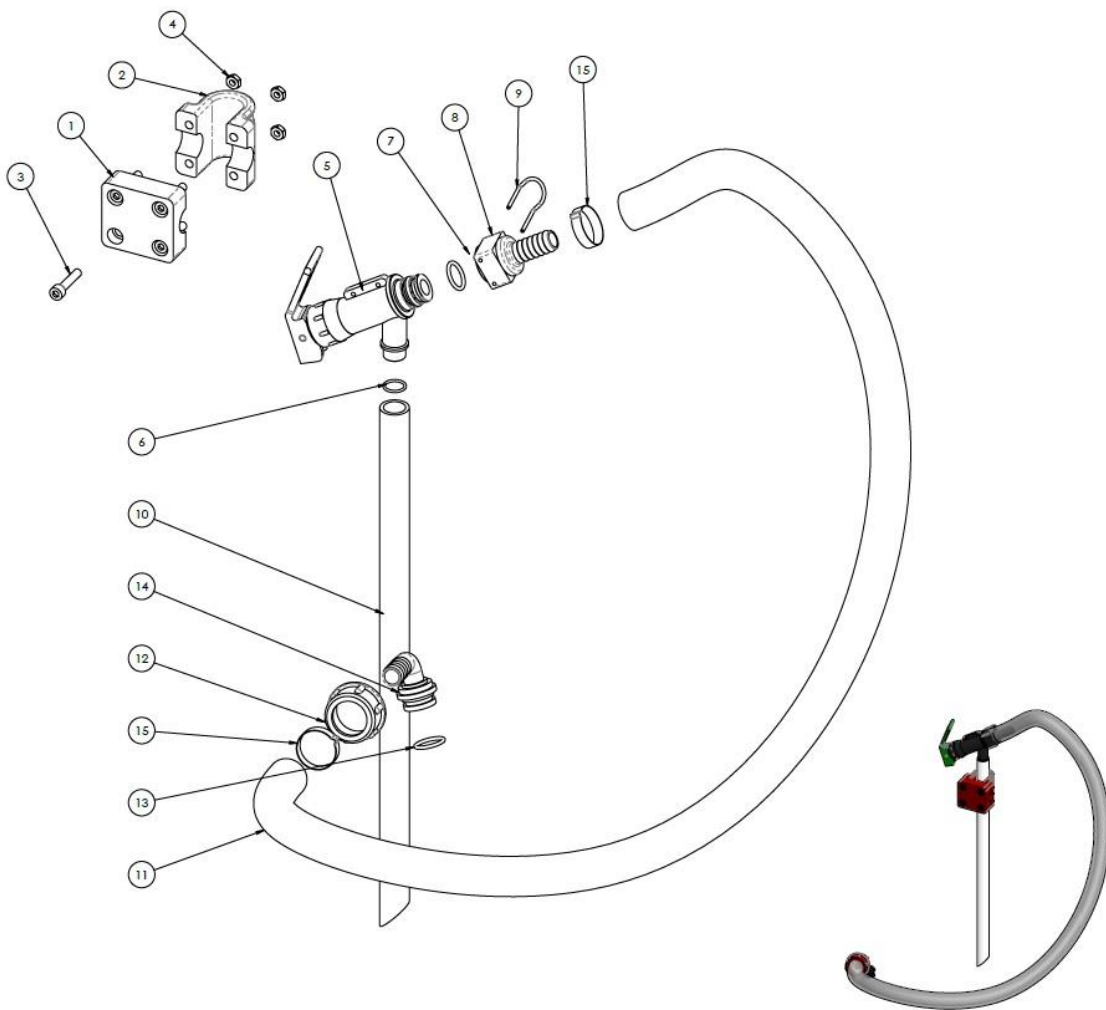
- | | |
|----|------------|
| 1 | P0003274.1 |
| 2 | 80032600 |
| 3 | 80001132 |
| 4 | 20110325 |
| 5 | P1000408 |
| 6 | P0003312 |
| 7 | P0003403 |
| 8 | 86468025 |
| 9 | P0003275 |
| 10 | 82417732 |



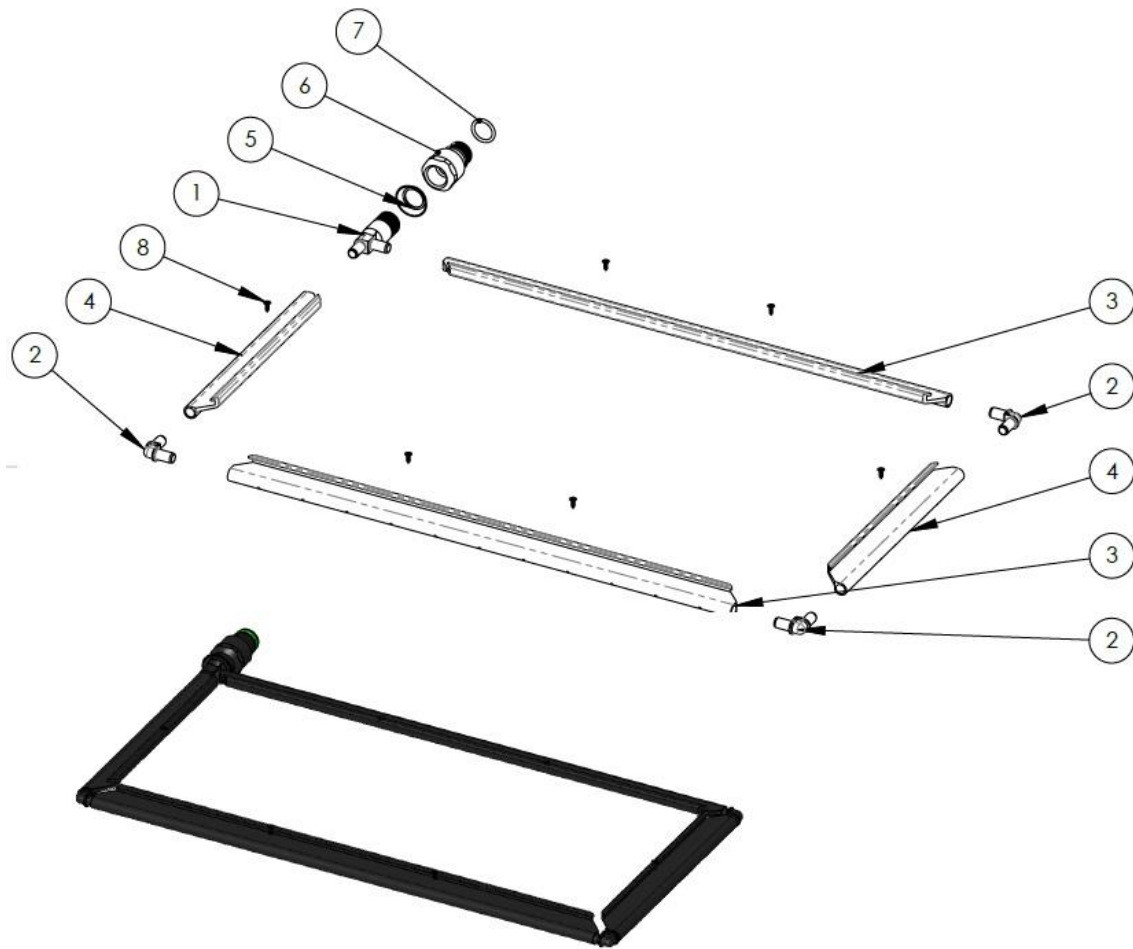
| | |
|----|----------|
| 1 | 63420232 |
| 2 | 63462032 |
| 3 | 634611PT |
| 4 | 63460832 |
| 5 | 80032600 |
| 6 | 65409732 |
| 7 | 63422932 |
| 8 | 82417732 |
| 9 | 63420132 |
| 10 | 63461932 |
| 11 | 63521232 |
| 12 | 63521325 |
| 13 | 80203200 |
| 14 | 62406832 |
| 15 | 82471532 |
| 16 | P0004544 |
| 17 | P0002398 |
| 18 | 67401332 |
| 19 | 82473232 |
| 20 | 81430425 |
| 21 | 80002732 |
| 22 | 80011400 |
| 23 | 80003800 |
| 24 | 80004500 |
| 25 | 80004800 |
| 26 | 80002400 |
| 27 | 80004132 |
| 28 | 80007100 |
| 29 | 80009900 |
| 30 | 86468925 |
| 31 | 86468125 |



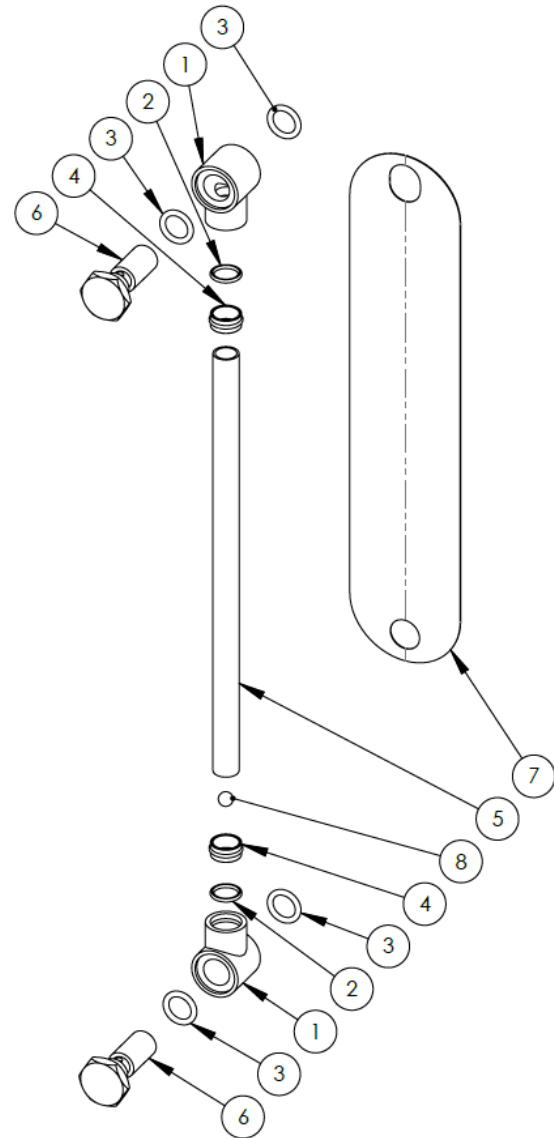
- 1 63420432
- 2 68405932
- 3 68401532
- 4 80002400
- 5 80007100



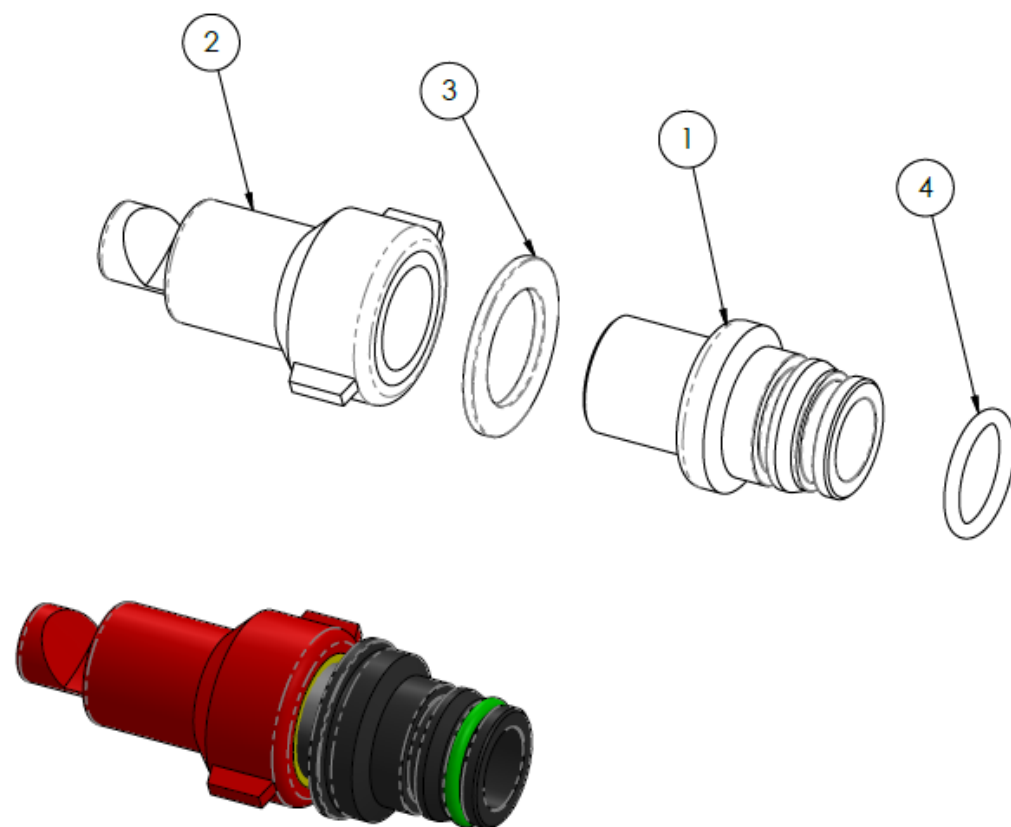
| | |
|----|----------|
| 1 | 62460232 |
| 2 | 62460332 |
| 3 | 86227000 |
| 4 | 81430400 |
| 5 | V0200307 |
| 6 | 80005500 |
| 7 | 80001132 |
| 8 | 20106232 |
| 9 | 20110325 |
| 10 | 63561332 |
| 11 | 00463417 |
| 12 | 65401732 |
| 13 | 80001200 |
| 14 | 82472332 |
| 15 | 80402625 |



- 1 P0006201
- 2 P0006064
- 3 P1001803
- 4 P1001805
- 5 02004031
- 6 20108632.1
- 7 80001132
- 8 86469825

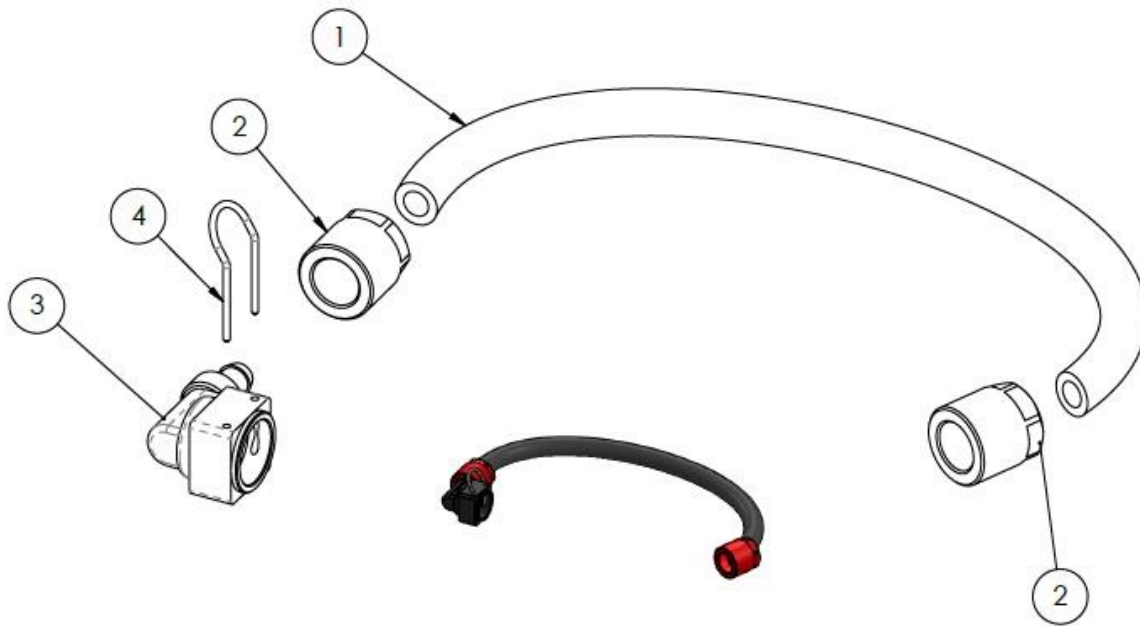


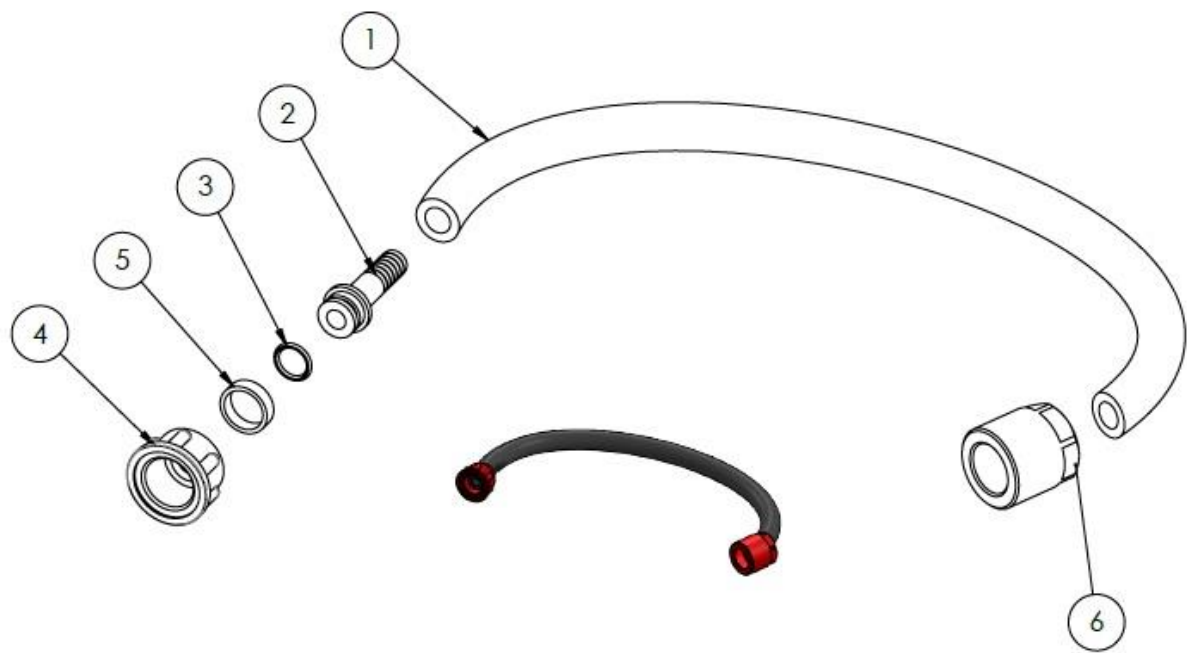
| | |
|---|----------|
| 1 | 63462432 |
| 2 | 80000200 |
| 3 | 80003700 |
| 4 | 63462532 |
| 5 | 00497012 |
| 6 | 63470825 |
| 7 | 63471532 |
| 8 | 63431832 |



- 1 20105932
- 2 63404499.1
- 3 80032600
- 4 80001132

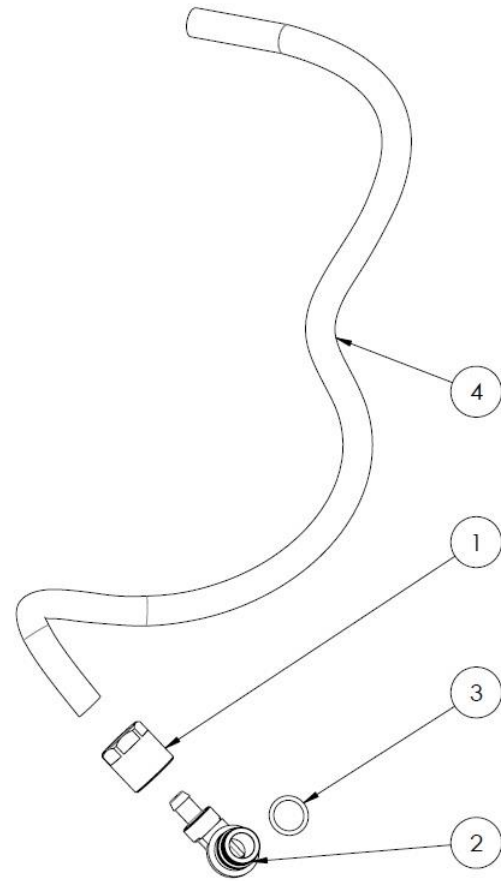
- 1 00461009
- 2 20105032
- 3 20104732
- 4 20110325

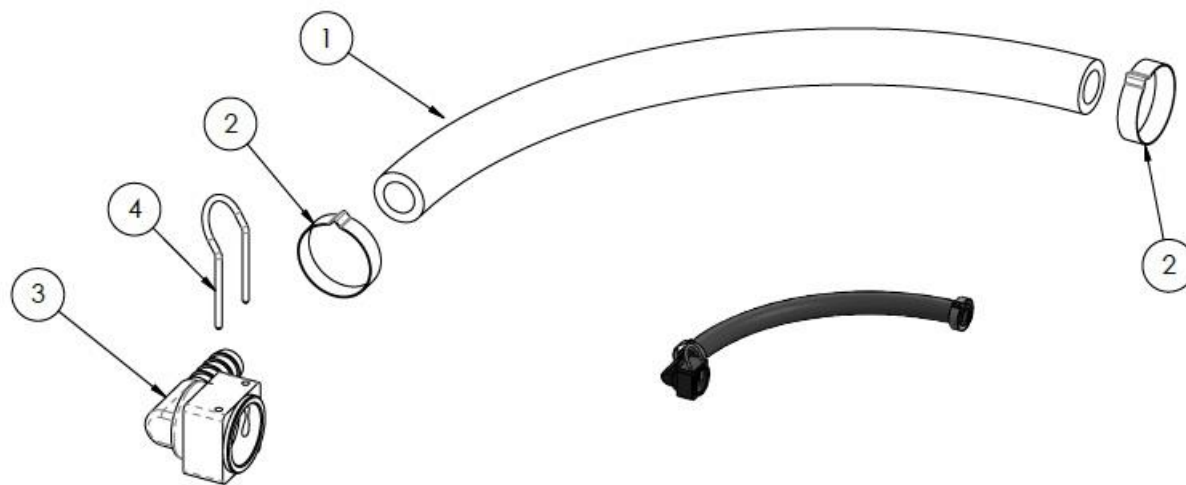




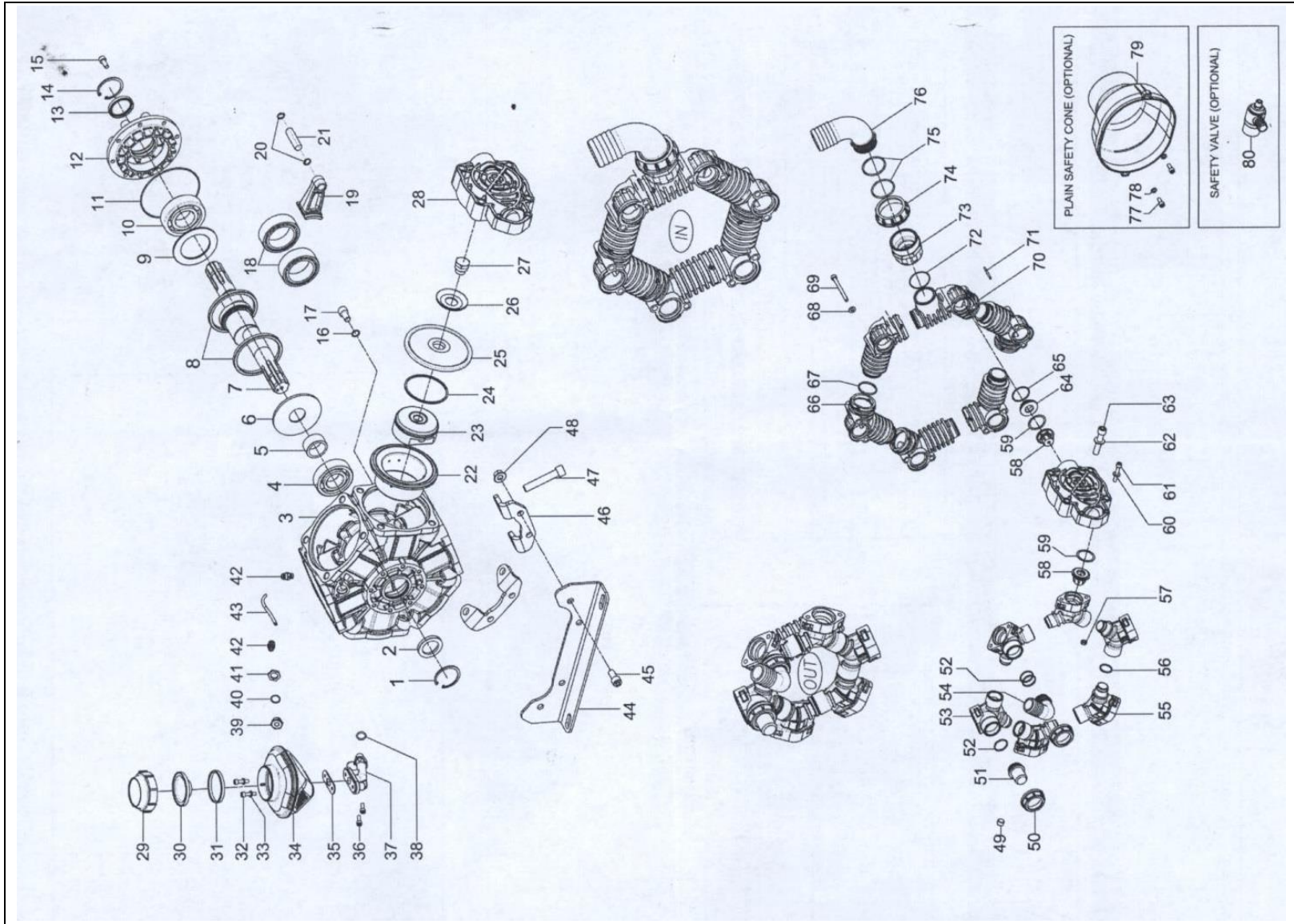
- 1 00461009
- 2 02003332
- 3 80000200
- 4 02003432
- 5 80403125
- 6 20105032

- 1 20105032
- 2 20104632
- 3 80001132
- 4 00461009

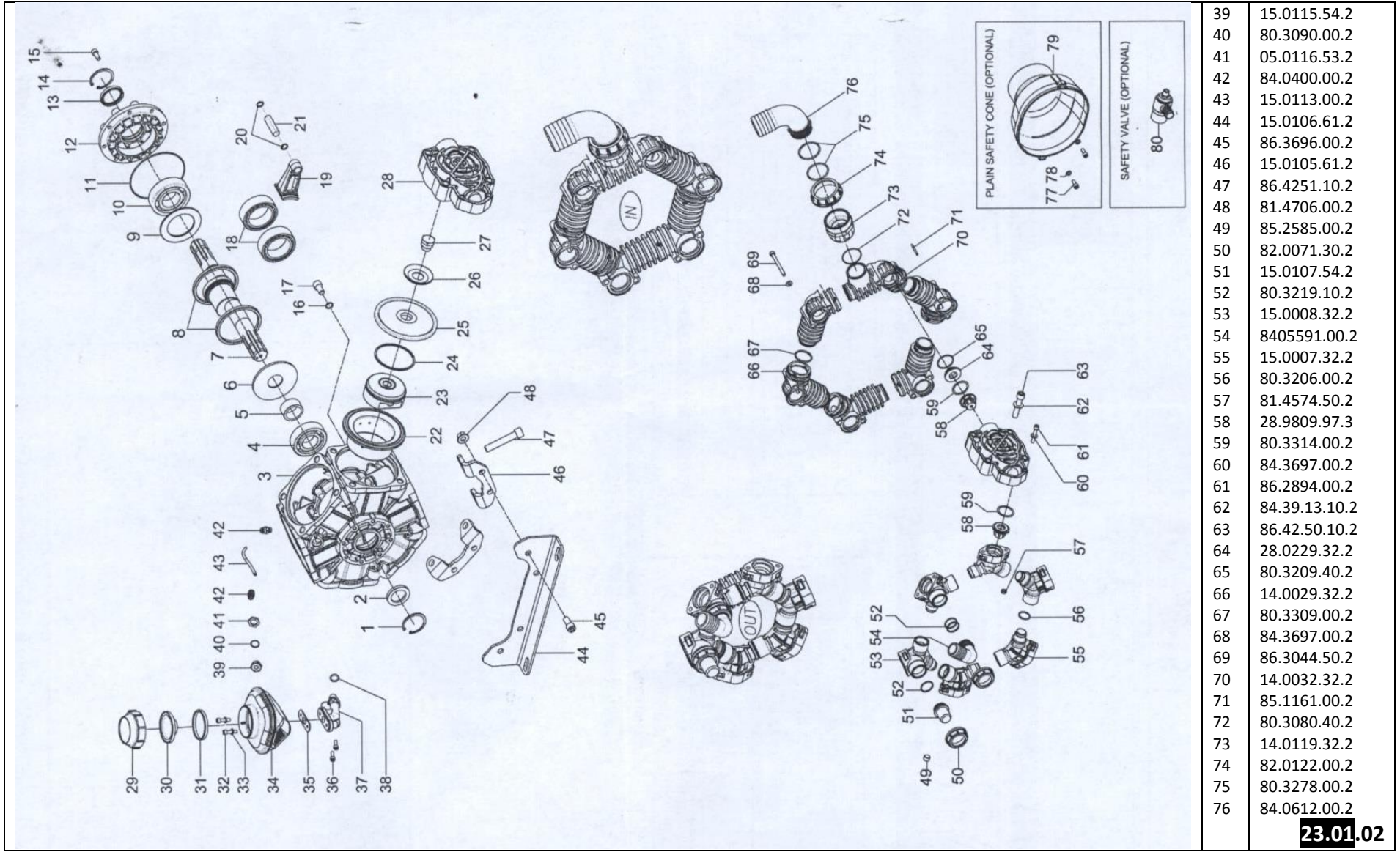




- 1 00461013
- 2 80402625
- 3 20106932
- 4 20110325

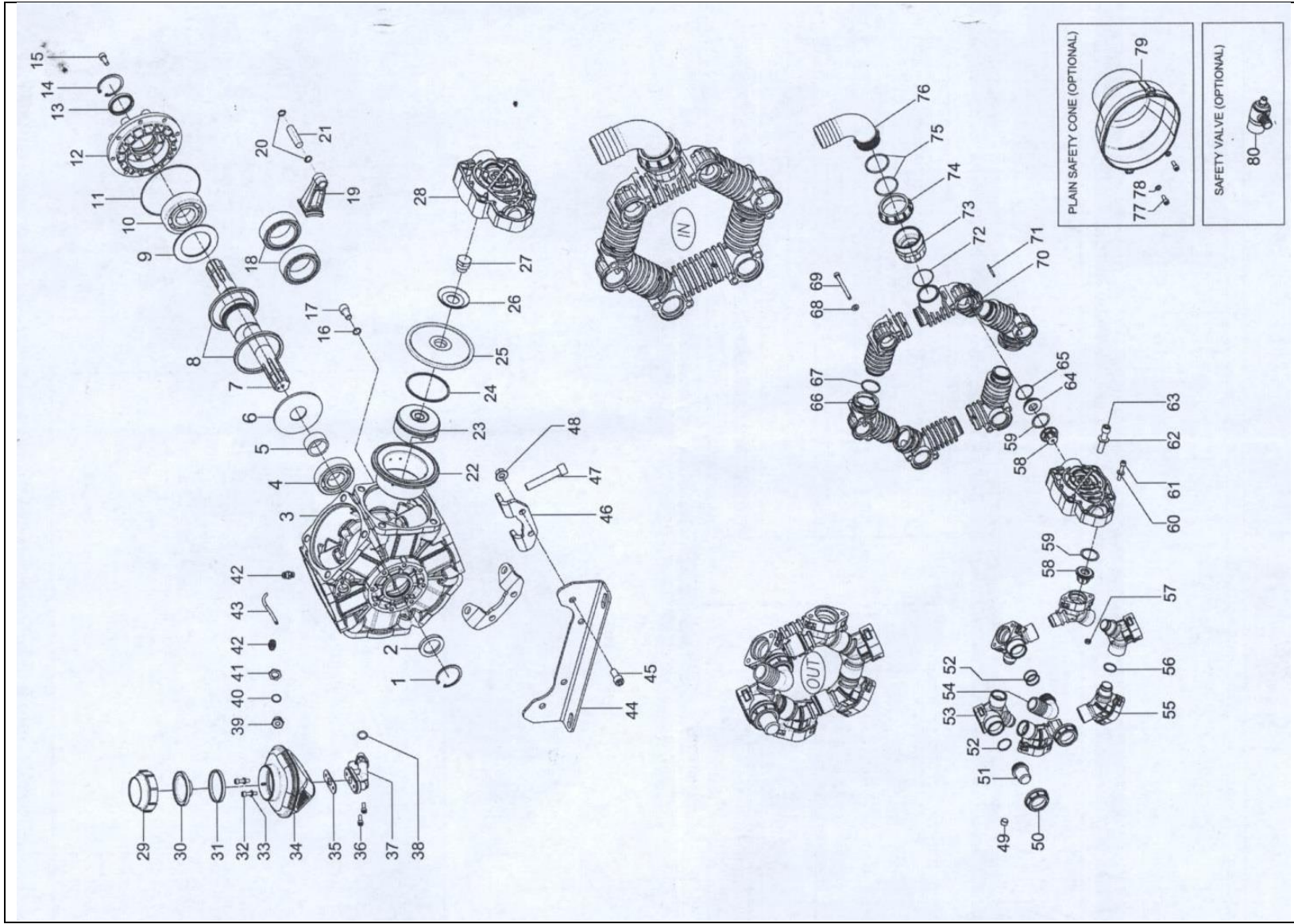


- 1. 80.1369.00.2
- 2. 80.2143.10.2
- 3. 15.0101.07.2
- 4. 81.2867.00.2
- 5. 49.0017.61.2
- 6. 49.0009.61.2
- 7. 49.0006.26.2
- 8. 49.0010.41.2
- 9. 49.0002.61.2
- 10. 81.2913.00.2
- 11. 80.3210.68.2
- 12. 48.0003.09.2
- 13. 80.2178.10.2
- 14. 80.1369.00.2
- 15. 86.2562.00.2
- 16. 82.4066.00.2
- 17. 86.3694.50.2
- 18. 81.2955.00.2
- 19. 15.0108.11.2
- 20. 80.0021.00.2
- 21. 85.2007.00.2
- 22. 15.0109.01.2
- 23. 15.0110.09.2
- 24. 81.8550.00.2
- 25. 14.0035.00.A
- 26. 15.0112.68.2
- 27. 15.0111.51.2
- 28. 15.0114.32.2
- 29. 28.0144.32.2
- 30. 41.0017.31.2
- 31. 14.0116.32.2
- 32. 86.2216.00.2
- 33. 84.3585.00.2
- 34. 40.9812.97.3
- 35. 14.0017.72.2
- 36. 86.2216.00.2
- 37. 15.0104.07.2
- 38. 80.3181.00.2

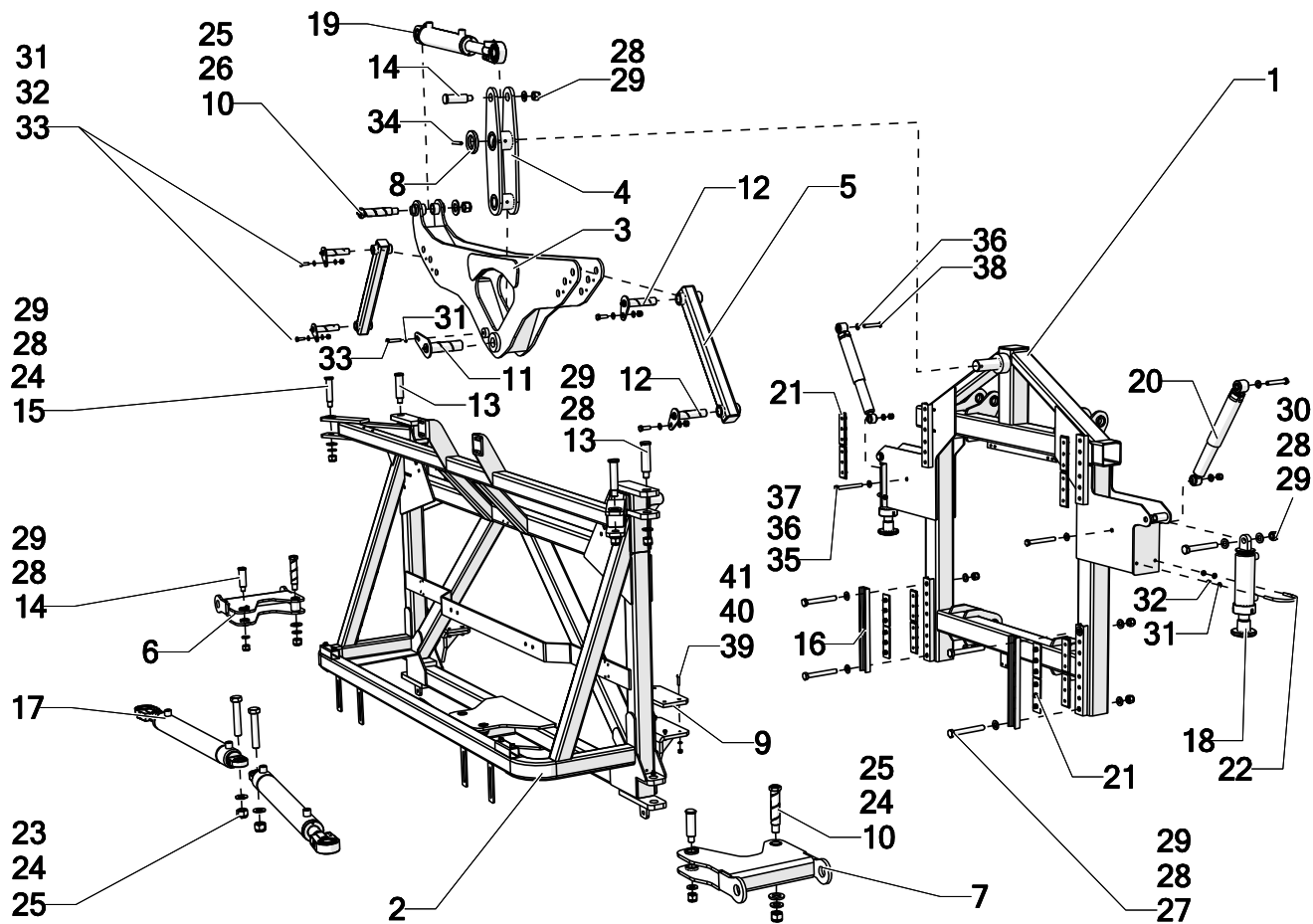


| | |
|----|---------------|
| 39 | 15.0115.54.2 |
| 40 | 80.3090.00.2 |
| 41 | 05.0116.53.2 |
| 42 | 84.0400.00.2 |
| 43 | 15.0113.00.2 |
| 44 | 15.0106.61.2 |
| 45 | 86.3696.00.2 |
| 46 | 15.0105.61.2 |
| 47 | 86.4251.10.2 |
| 48 | 81.4706.00.2 |
| 49 | 85.2585.00.2 |
| 50 | 82.0071.30.2 |
| 51 | 15.0107.54.2 |
| 52 | 80.3219.10.2 |
| 53 | 15.0008.32.2 |
| 54 | 8405591.00.2 |
| 55 | 15.0007.32.2 |
| 56 | 80.3206.00.2 |
| 57 | 81.4574.50.2 |
| 58 | 28.9809.97.3 |
| 59 | 80.3314.00.2 |
| 60 | 84.3697.00.2 |
| 61 | 86.2894.00.2 |
| 62 | 84.39.13.10.2 |
| 63 | 86.42.50.10.2 |
| 64 | 28.0229.32.2 |
| 65 | 80.3209.40.2 |
| 66 | 14.0029.32.2 |
| 67 | 80.3309.00.2 |
| 68 | 84.3697.00.2 |
| 69 | 86.3044.50.2 |
| 70 | 14.0032.32.2 |
| 71 | 85.1161.00.2 |
| 72 | 80.3080.40.2 |
| 73 | 14.0119.32.2 |
| 74 | 82.0122.00.2 |
| 75 | 80.3278.00.2 |
| 76 | 84.0612.00.2 |

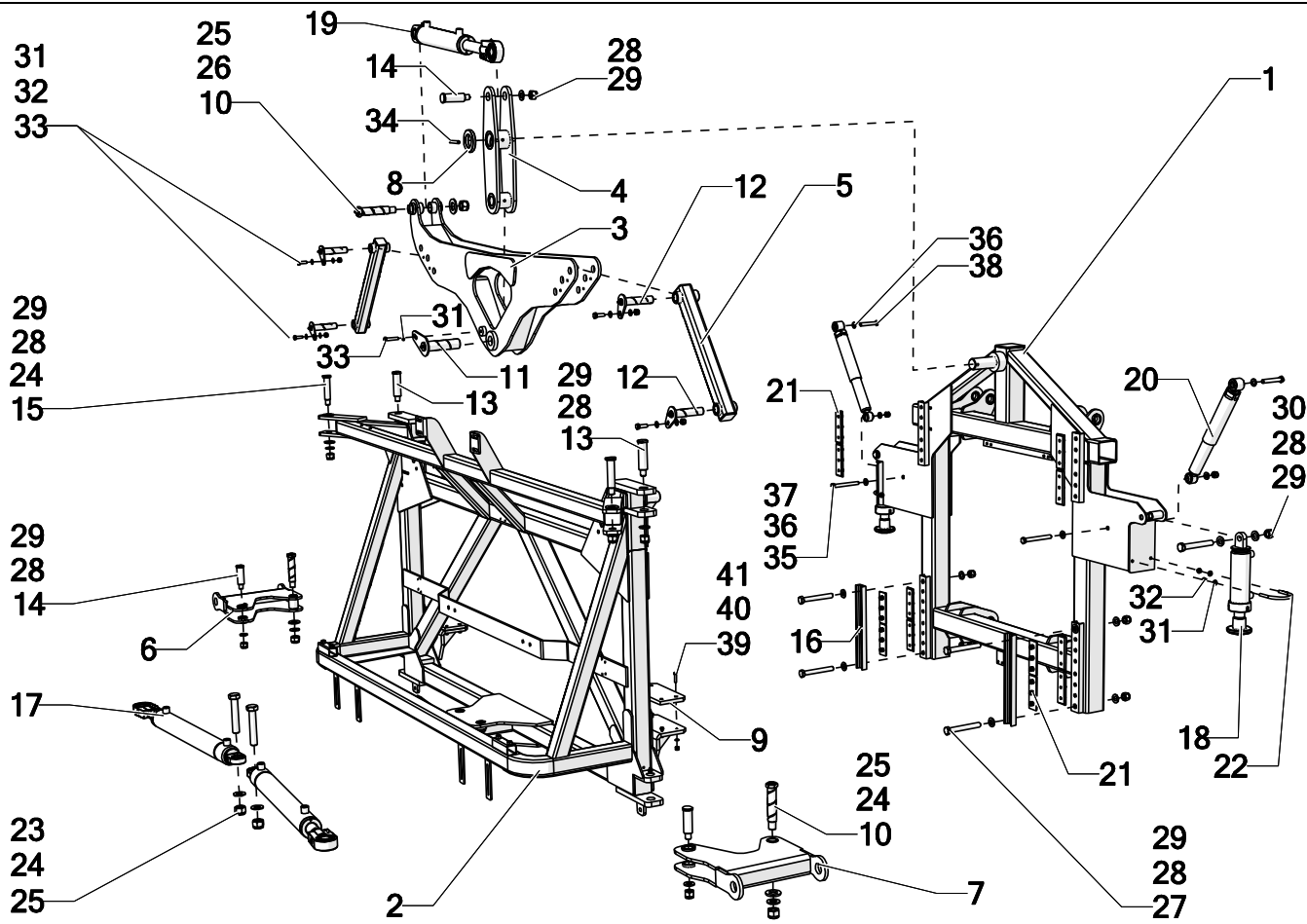
23.01.02



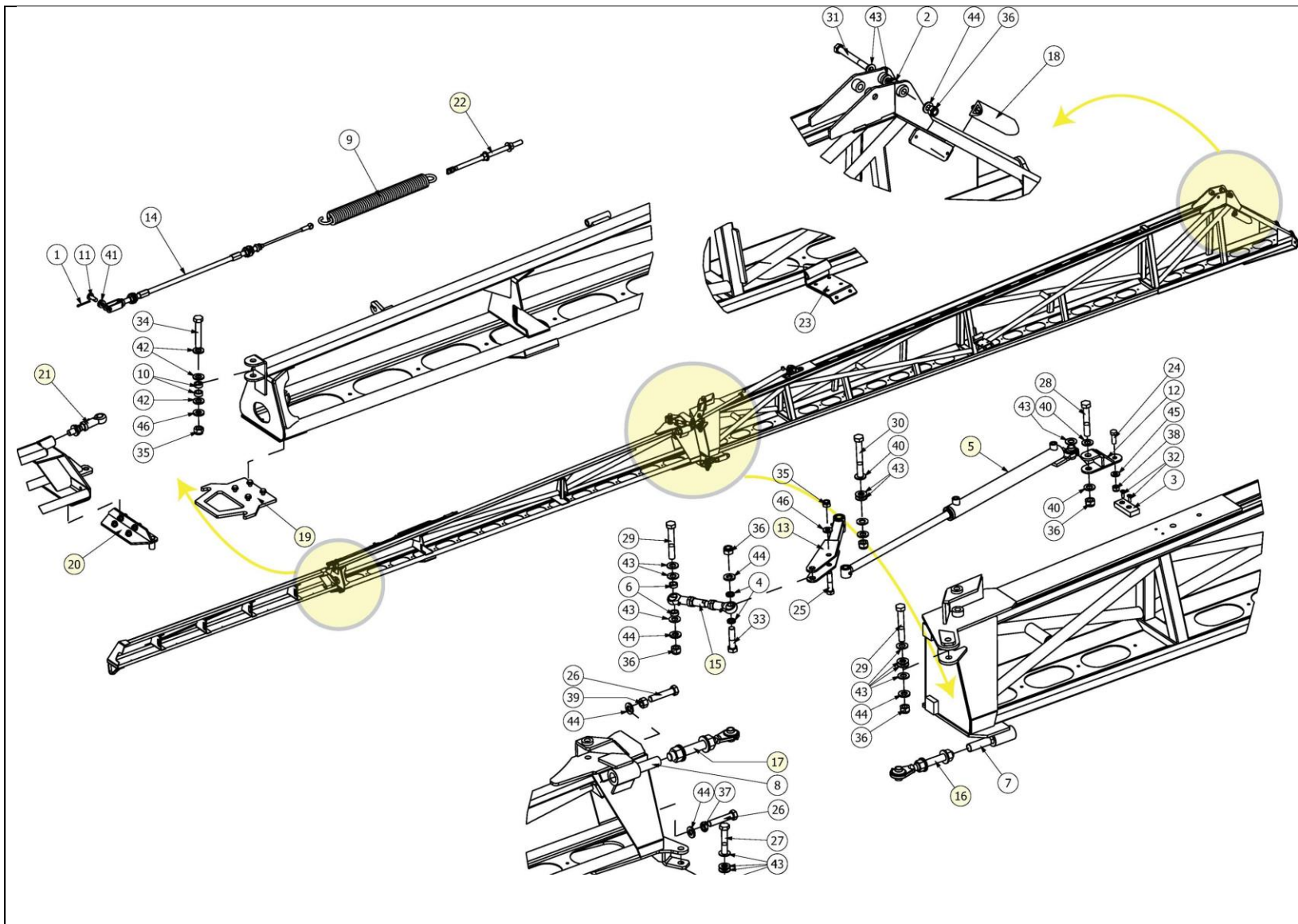
| | |
|----|---------------|
| 77 | 86.2547.00.2 |
| 78 | 84.3685.50.2 |
| 80 | 24.30.16.97.3 |



| | |
|-----|------------------|
| 1. | 03-125-01-000 |
| 2. | 03-125-02-000 |
| 3. | 03-125-03-000 |
| 4. | 03-125-04-000 |
| 5. | 03-125-05-000 |
| 6. | 03-125-06-000 |
| 7. | 03-125-07-000 |
| 8. | 03-125-00-002 |
| 9. | 03-125-00-003 |
| 10. | 03-123-00-005 |
| 11. | 03-128-06-000 |
| 12. | 03-128-07-000 |
| 13. | 03-98-00-010 |
| 14. | 03-98-00-011 |
| 15. | 03-98-00-012 |
| 16. | 03-90-01-013 |
| 17. | 06-133-02-000 |
| 18. | 06-133-03-000 |
| 19. | 06-125-01-000 |
| 20. | 3-HYDAM0003 |
| 21. | 3-PCVSL02 |
| 22. | 2-MRCRJ008072084 |
| 23. | ISO 4017 |
| 24. | ISO 7089 |
| 25. | ISO 7040 |
| 26. | ISO 7089 |
| 27. | ISO 4014 |
| 28. | ISO 7089 |
| 29. | ISO 7040 |
| 30. | ISO 4014 |
| 31. | ISO 7089 |
| 32. | ISO 4032 |
| 33. | ISO 4014 |
| 34. | ISO 13337 |
| 35. | ISO 4014 |
| 36. | ISO 7089 |
| 37. | ISO 7040 |
| 38. | ISO 4017 |

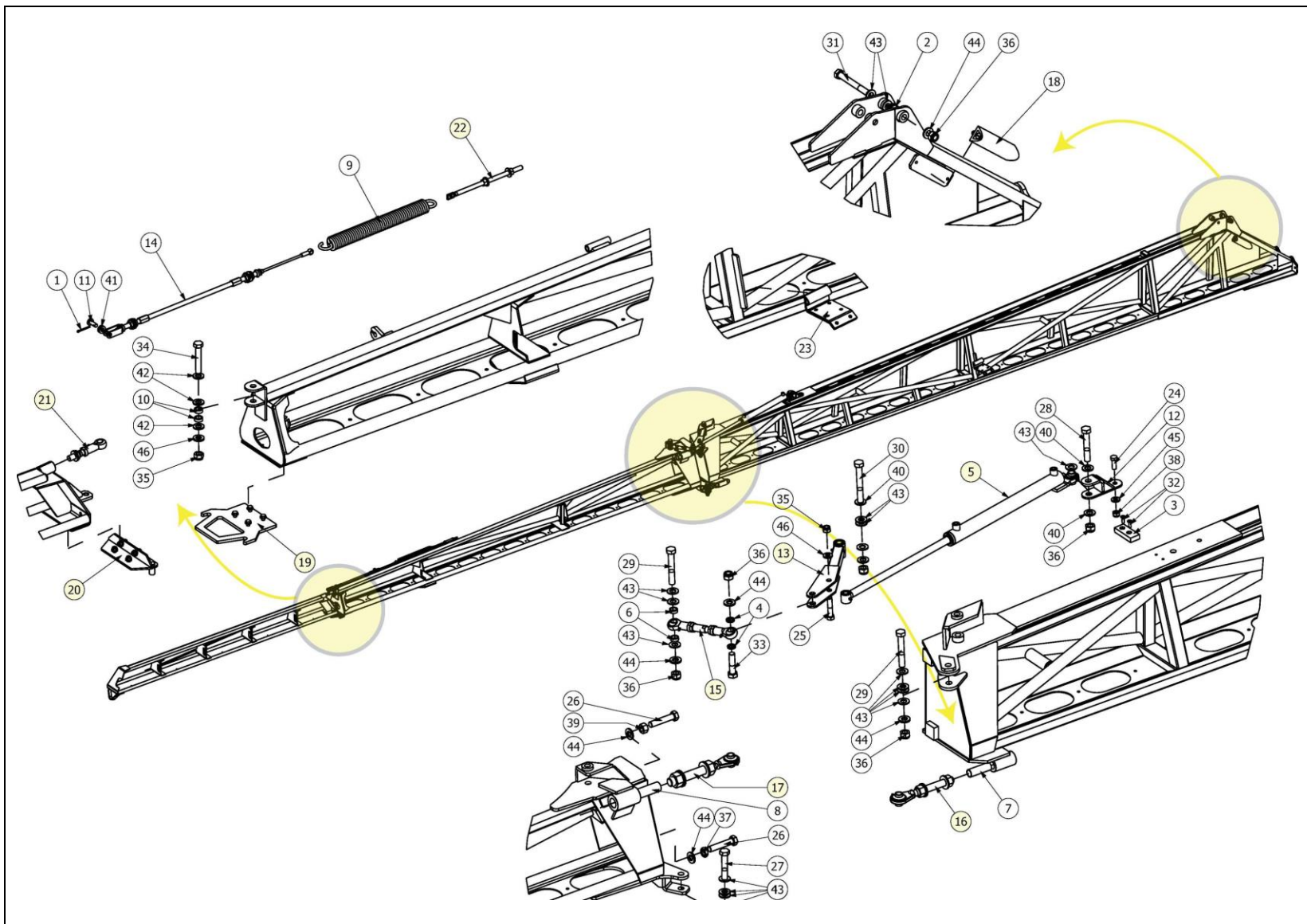


39. ISO 1207
 40. ISO 7089
 41. ISO 7040

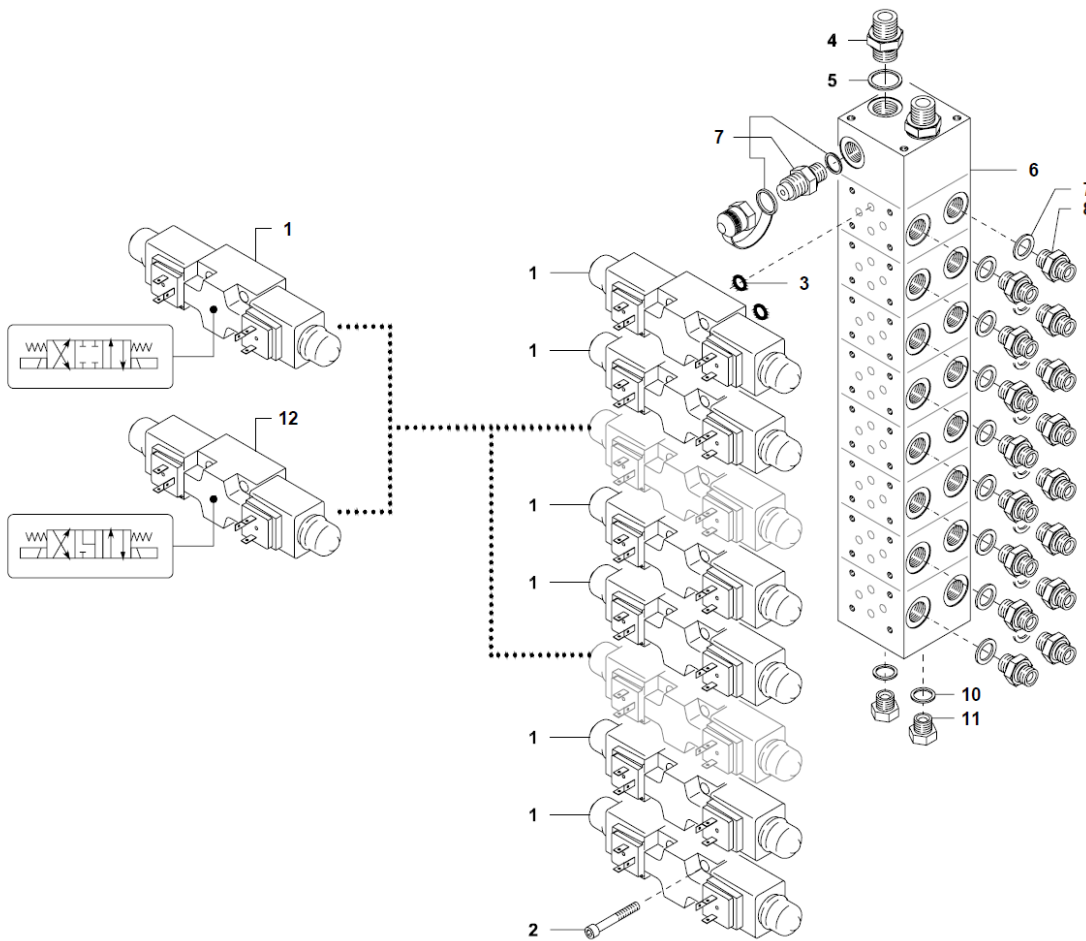


| | |
|----|----------|
| 1 | 000-865 |
| 2 | 001-002 |
| 3 | 001-011 |
| 4 | 001-212 |
| 5 | 001-217 |
| 6 | 001-231 |
| 7 | 001-236 |
| 8 | 001-237 |
| 9 | 001-284 |
| 10 | 001-670 |
| 11 | 001-732 |
| 12 | 001-732 |
| 13 | 001-200G |
| 14 | 003-187 |
| 15 | 010-016 |
| 16 | 010-023 |
| 17 | 010-024 |
| 18 | 010-027 |
| 19 | 010-029 |
| 20 | 010-030 |
| 21 | 010-031 |
| 22 | 010-090 |
| 23 | 010-081G |
| 24 | P000-004 |
| 25 | P000-011 |
| 26 | P000-012 |
| 27 | P000-017 |
| 28 | P000-018 |
| 29 | P000-020 |
| 30 | P000-021 |
| 31 | P000-022 |
| 32 | P000-038 |
| 33 | P000-165 |
| 34 | P000-246 |
| 35 | P000-485 |
| 36 | P000-486 |
| 37 | P000-510 |
| 38 | P000-548 |

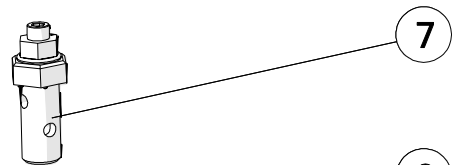
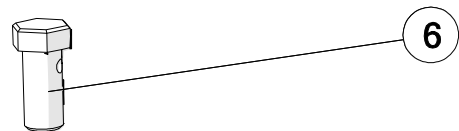
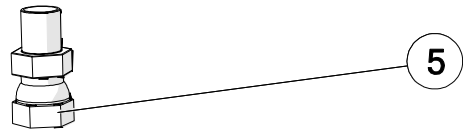
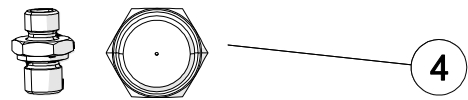
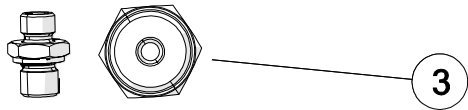
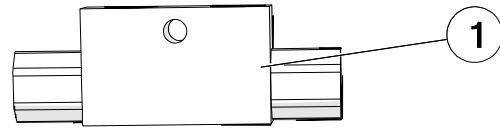
18 01 01



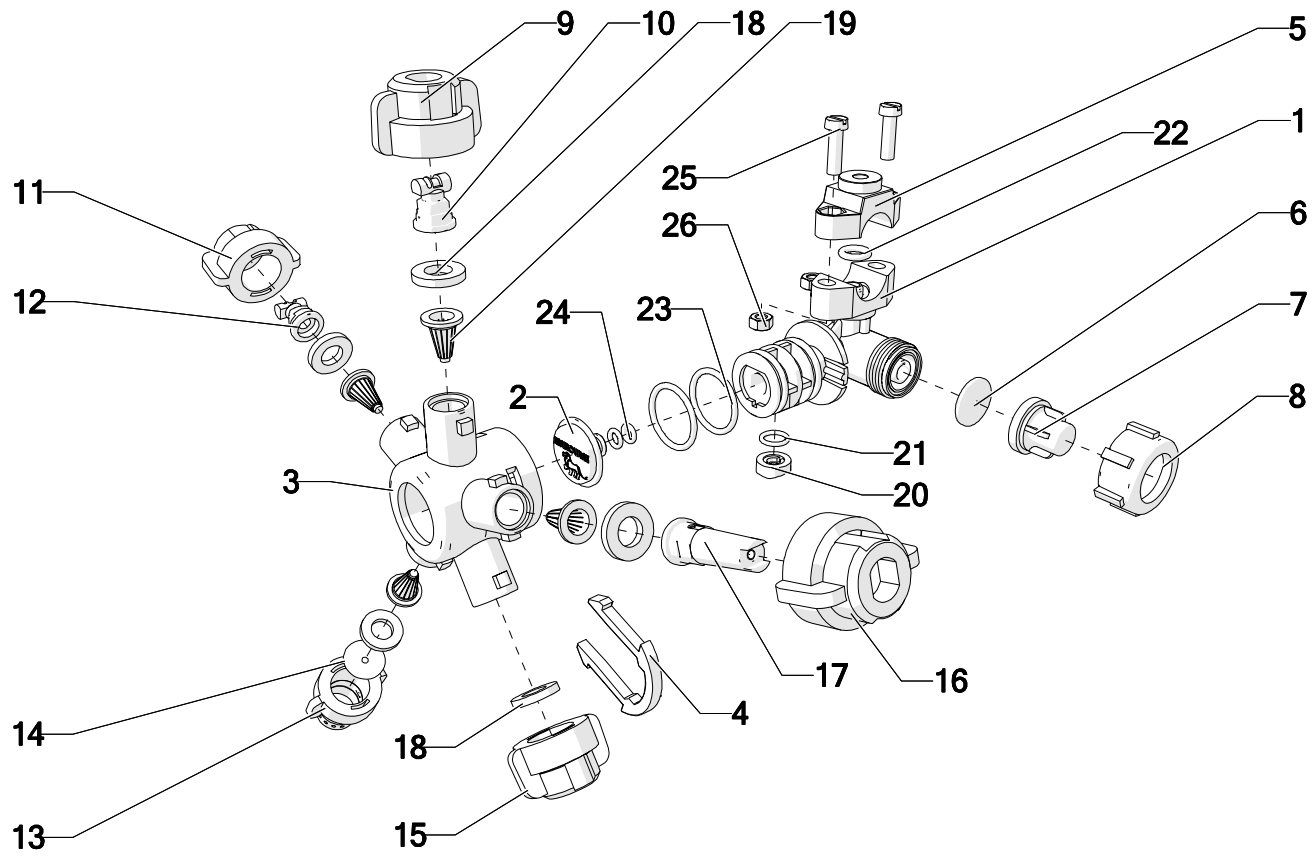
| | |
|----|----------|
| 39 | P000-555 |
| 40 | P000-700 |
| 41 | P000-796 |
| 42 | P000-796 |
| 43 | P000-819 |
| 44 | P000-831 |
| 45 | P000-832 |
| 46 | P000-836 |



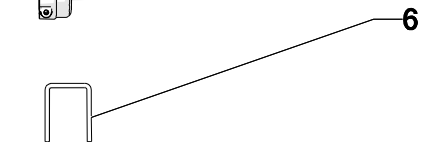
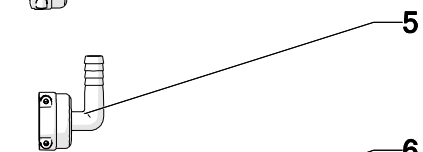
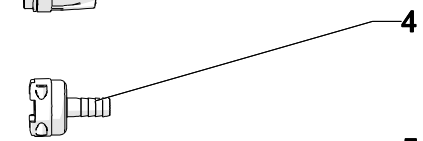
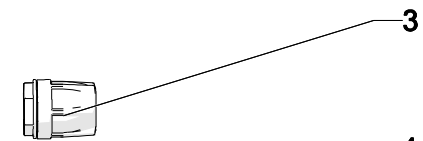
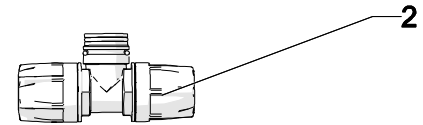
- 1 GG8011V1251
- 2 GG900505030Z
- 3 GG8011Q8310
- 4 GG740000150
- 5 GG600500005
- 6 AR- M10700438
- 7 BG014320
- 8 BB50223002
- 10 GG600500002
- 11 GG740000071Z
- 12 GG8011V1253



| | |
|---|---------------|
| 1 | 3-HYDZAW002 |
| 2 | 6-UMCV014 |
| 3 | 3-HYDZŁA001 |
| 4 | 3-HYDZŁ006 |
| 5 | 3-HYDKPP021 |
| 6 | 3-HYDKONS0014 |
| 7 | 3-HYDKOCS0014 |
| 8 | 3-HYDKONSP014 |



- 1. 05-92-03-001
- 2. 05-92-03-003
- 3. 05-92-03-002
- 4. 5-WPCVSP1005
- 5. 5-WPCVNAK001
- 6. 5-WPCVMEM001
- 7. 5-WPCVZAW001
- 8. 5-WPCVNAK0001
- 9. 5-WPCVKG0302
- 10. 3-DTTT11003VP
- 11. 5-WPCVKG0303
- 12. 3-DTTT11004VP
- 13. 5-WPCVKORSM7
- 14. 3-RSMKR08(10,12,15)
- 15. 5-WPCVKG0000
- 16. wg zamówienia
- 17. wg zamówienia
- 18. 5-WPCVUSZ002
- 19. 5-WPCVNAK0001
- 21. PN-60/M-86961
- 22. PN-60/M-86961
- 23. PN-60/M-86961
- 24. PN-60/M-86961
- 25. ISO 1207
- 26. ISO 4032



- | | |
|----|------------|
| 1. | 3-A190B13 |
| 2. | 3-A193B13 |
| 3. | 3-A190250 |
| 4. | 3-A1090313 |
| 5. | 3-A1190313 |
| 6. | 3-A010003 |