

*Hydramet*<sup>TM</sup>



**2016**



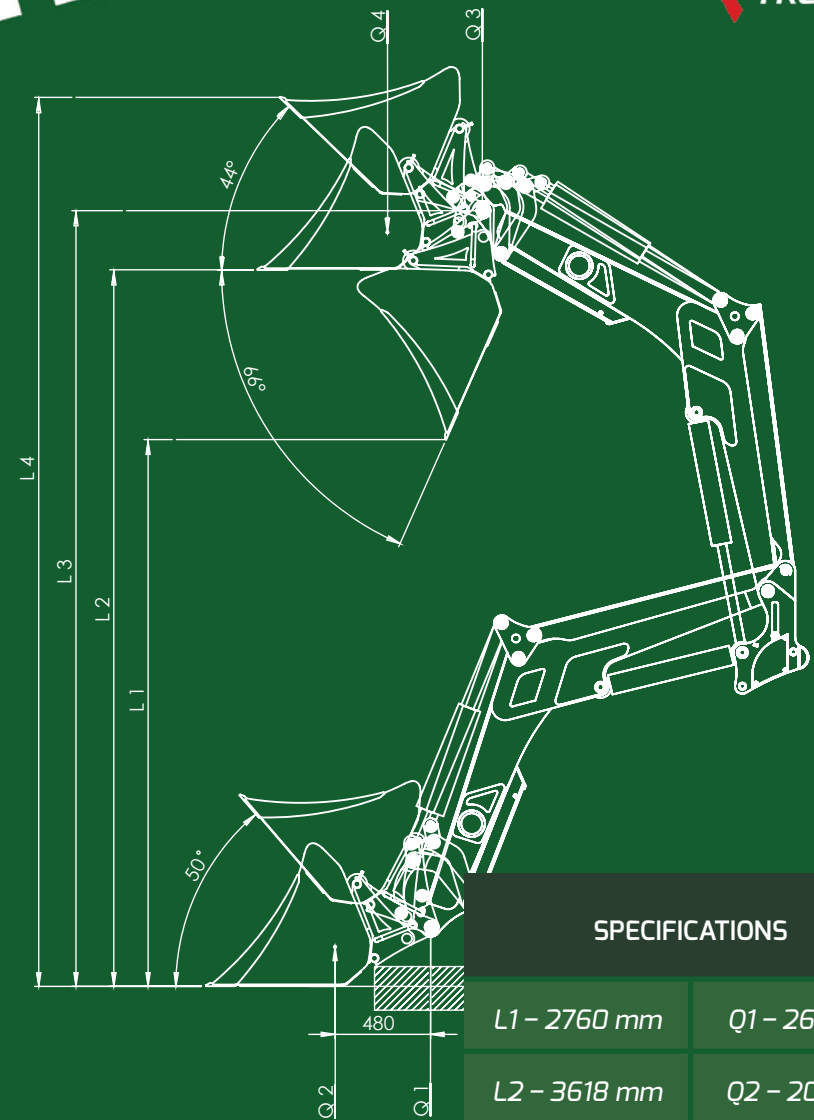


*Hydramet is a company with almost 30 years successfully produces highest quality equipment for agriculture. Our specialty and number one in production are front loaders and their equipment. Their reliability and durability has been proven in all conditions in many markets around the world ensuring effective and comfortable work. With a wide range of tools loader you may be completed perfect tool that will realize every challenge and will serve for many years.*

*Hydramet- reliability builds trust!*



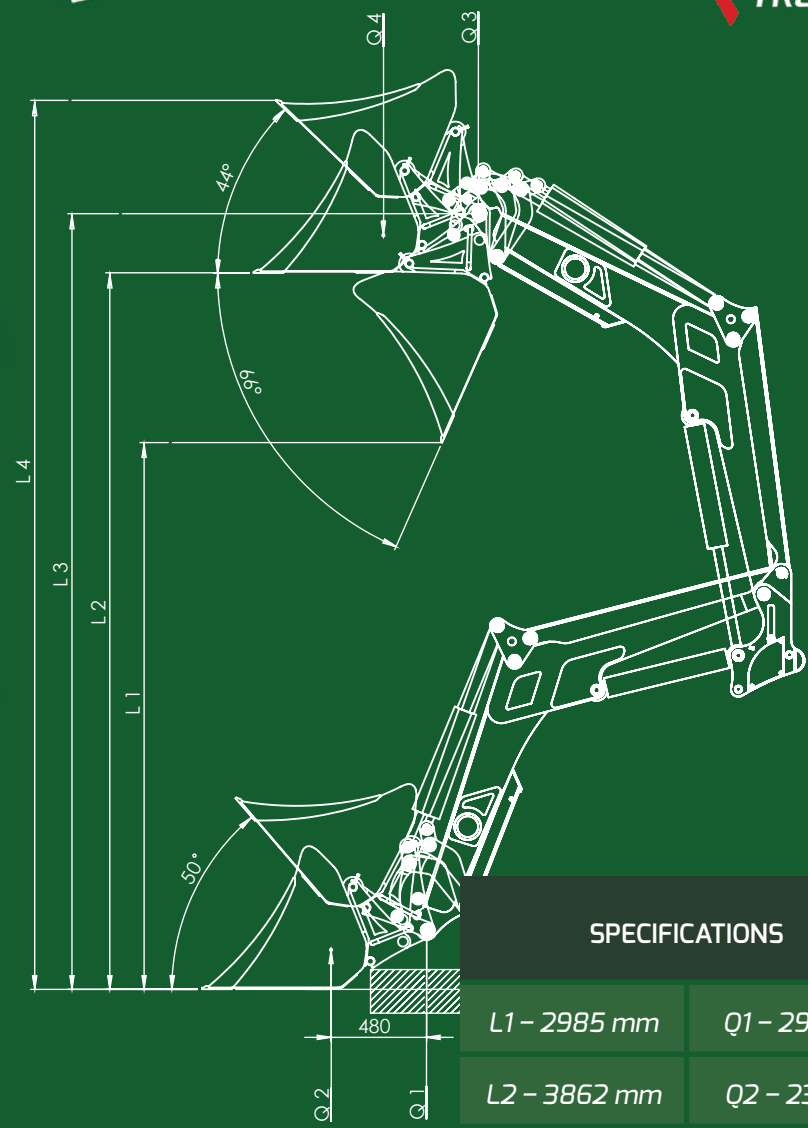
# XTREME 1



## SPECIFICATIONS

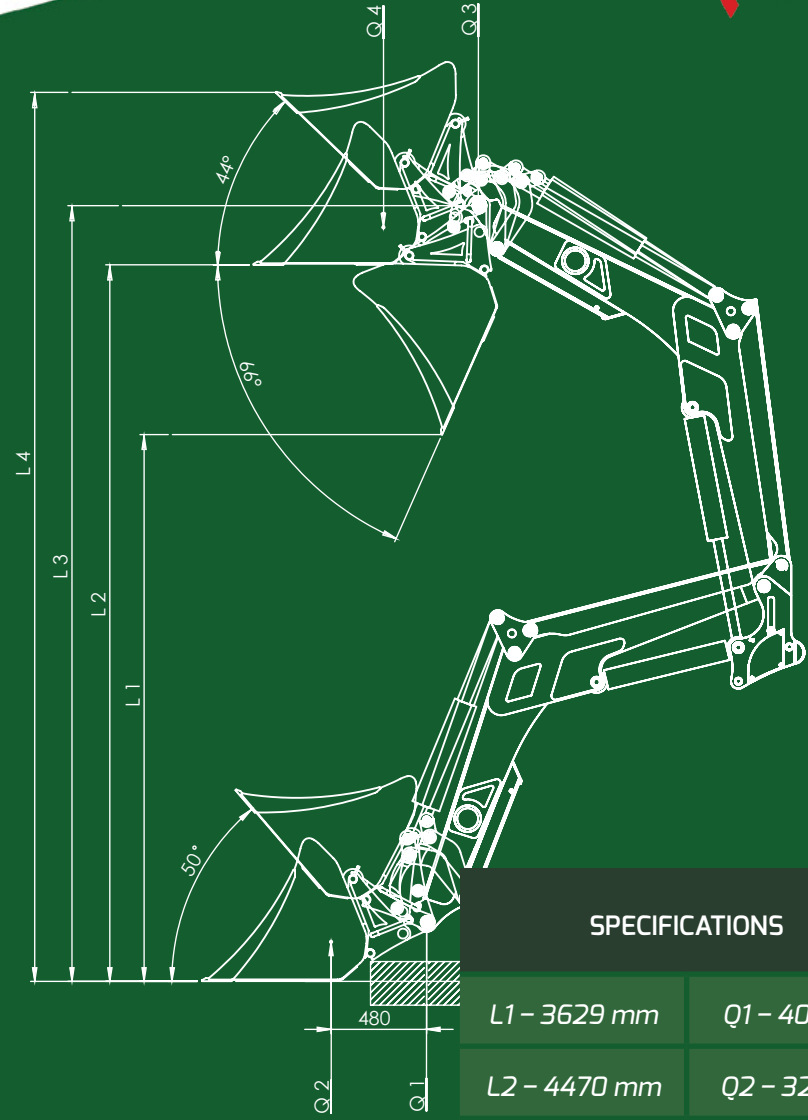
L1 - 2760 mm	Q1 - 2650 kg
L2 - 3618 mm	Q2 - 2075 kg
L3 - 3916 mm	Q3 - 2150 kg
L4 - 4488 mm	Q4 - 1600 kg

# XTREME 2



SPECIFICATIONS	
L1 – 2985 mm	Q1 – 2900 kg
L2 – 3862 mm	Q2 – 2315 kg
L3 – 4141 mm	Q3 – 2675 kg
L4 – 4726 mm	Q4 – 1900 kg

# XTREME 3



SPECIFICATIONS	
L1 - 3629 mm	Q1 - 4000 kg
L2 - 4470 mm	Q2 - 3200 kg
L3 - 4769 mm	Q3 - 3400 kg
L4 - 4393 mm	Q4 - 2500 kg



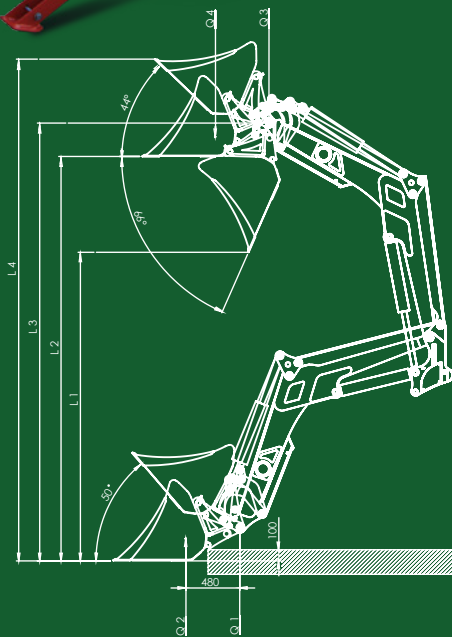
# XTREME S

# XTREME M



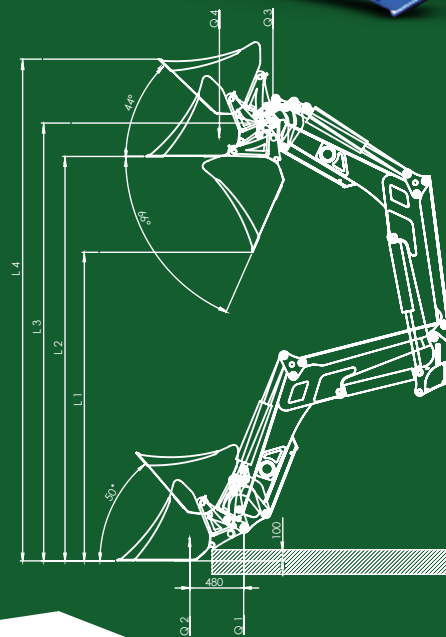
## SPECIFICATIONS

L1 - 1967 MM	Q1 - 2600 KG
L2 - 2720 MM	Q2 - 1955 KG
L3 - 2990 MM	Q3 - 1340 KG
L4 - 3644 MM	Q4 - 800 KG



## SPECIFICATIONS

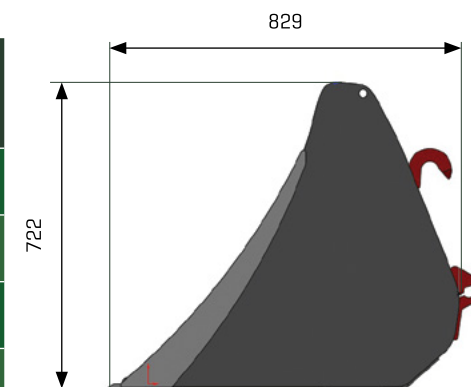
L1 - 2585 mm	Q1 - 2130 kg
L2 - 3434 mm	Q2 - 1640 kg
L3 - 4769 mm	Q3 - 1620 kg
L4 - 4340 mm	Q4 - 1200 kg



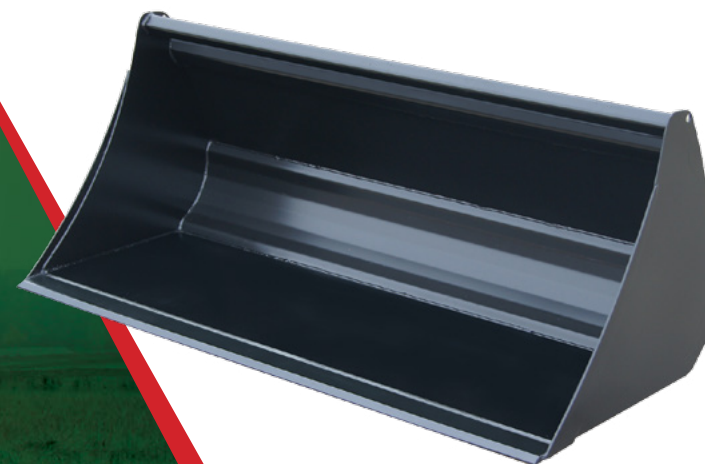


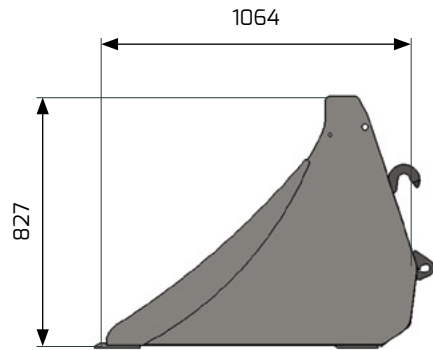
## Universal Bucket

Product	Weight
Universal Bucket 1,2 m 0,36 m <sup>3</sup>	160 kg
Universal Bucket 1,3 m 0,39 m <sup>3</sup>	170 kg
Universal Bucket 1,5 m 0,45 m <sup>3</sup>	190 kg
Universal Bucket 1,6 m 0,48 m <sup>3</sup>	197 kg
Universal Bucket 1,8 m 0,54 m <sup>3</sup>	215 kg
Universal Bucket 2,0 m 0,6 m <sup>3</sup>	240 kg
Universal Bucket 2,2 m 0,66 m <sup>3</sup>	250 kg
Universal Bucket 2,4 m 0,72 m <sup>3</sup>	270 kg



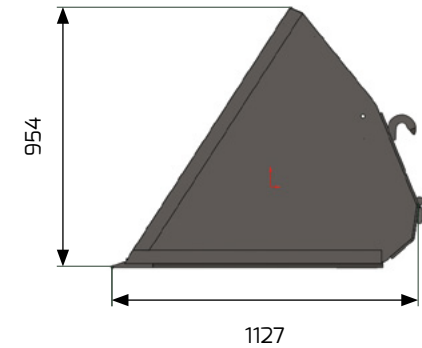
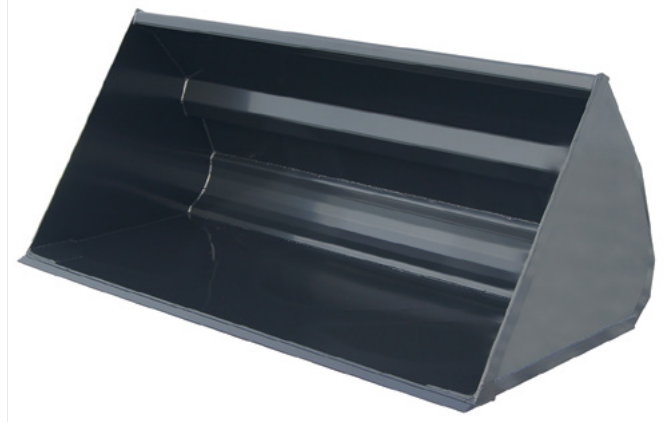
HYDRAMET  
**EQUIPMENT**





*Bucket- Stronger version*

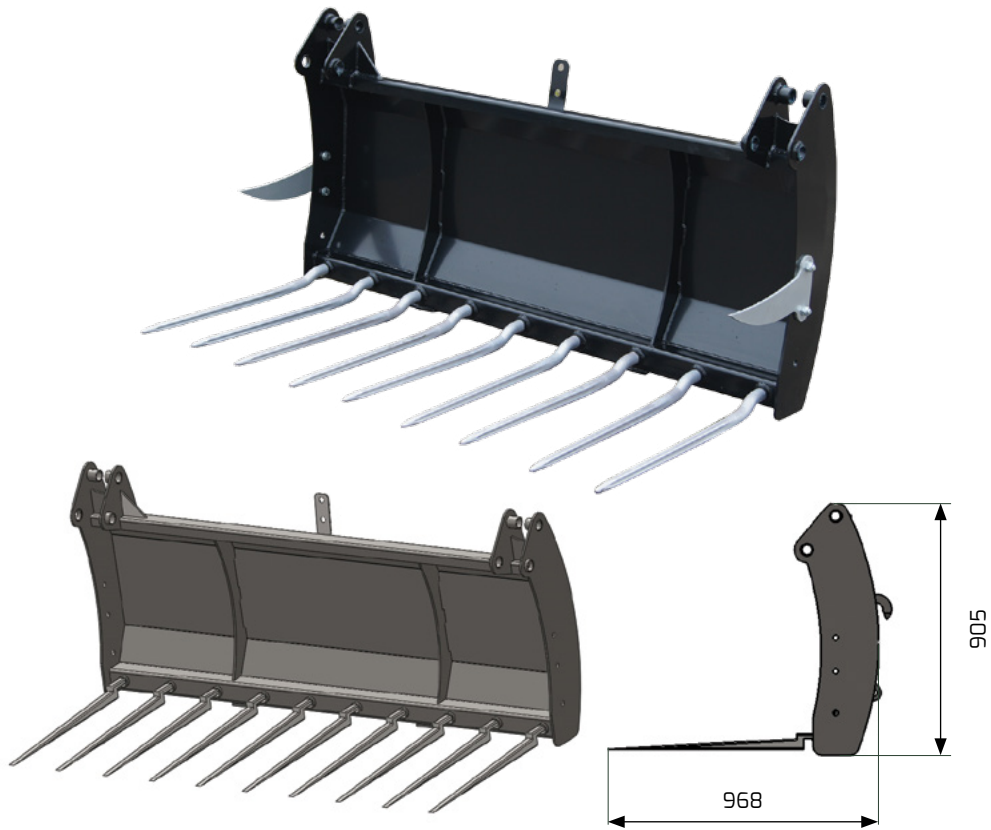
Product	Weight
Bucket- Stronger version 1,8m 0,72 m <sup>3</sup>	265 kg
Bucket- Stronger version 2,0m 0,8 m <sup>3</sup>	300 kg
Bucket- Stronger version 2,2m 0,88 m <sup>3</sup>	320 kg
Bucket- Stronger version 2,4m 0,96 m <sup>3</sup>	340 kg



*Bucket MAXI*

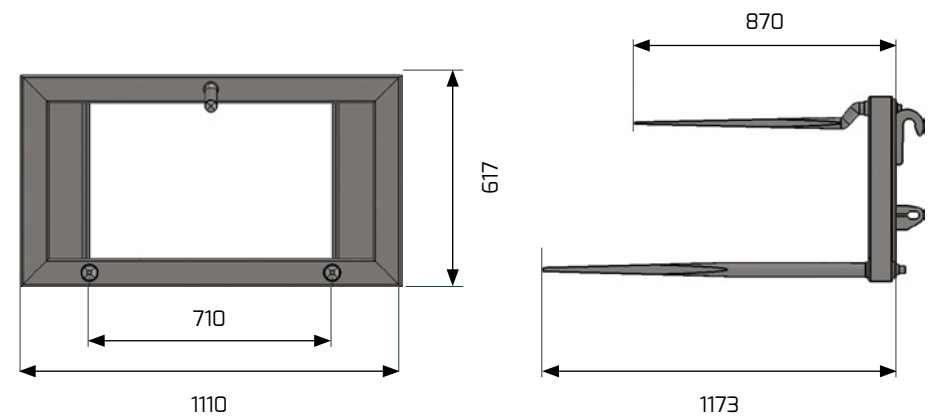
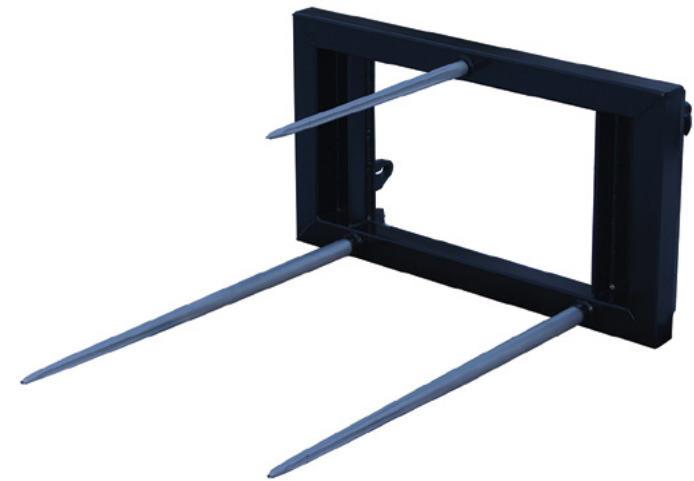
Product	Weight
Bucket MAXI 1,6m 0,85 m <sup>3</sup>	330 kg
Bucket MAXI 1,8m 0,95 m <sup>3</sup>	370 kg
Bucket MAXI 2,0m 1,06 m <sup>3</sup>	395 kg
Bucket MAXI 2,2m 1,16 m <sup>3</sup>	425 kg
Bucket MAXI 2,4m 1,27 m <sup>3</sup>	455 kg
Bucket MAXI 2,6m 1,37 m <sup>3</sup>	480 kg





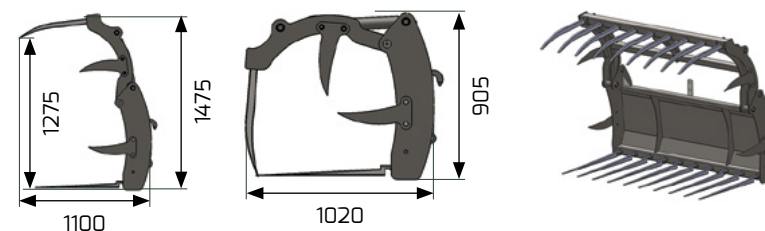
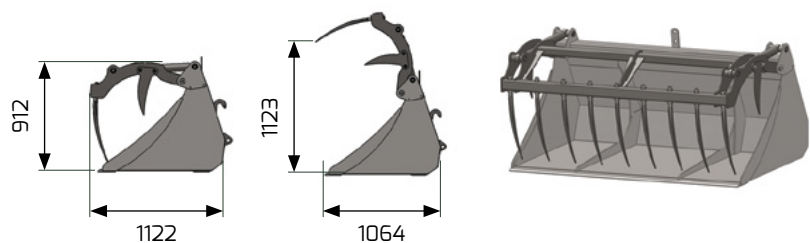
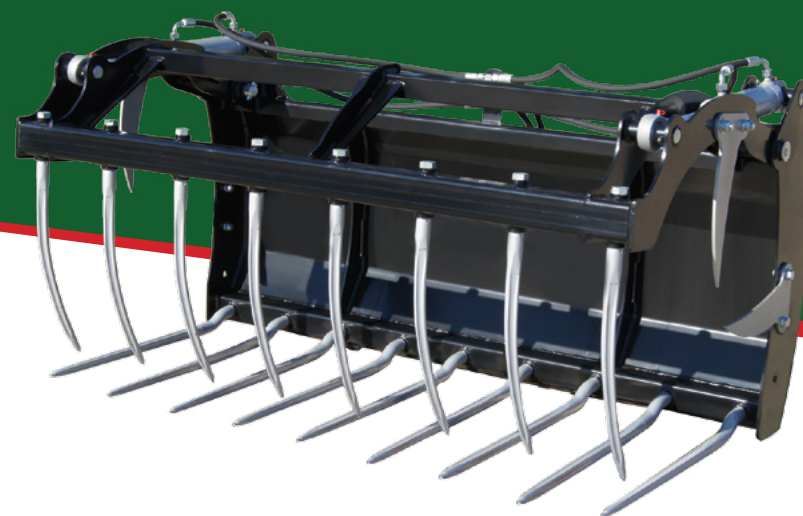
Fork for manure

Product	Weight
Fork for manure 1 cyl 1,3 m	235 kg
Fork for manure 1 cyl 1,4 m	250 kg
Fork for manure 2 cyl 1,4 m	270 kg
Fork for manure 2 cyl 1,6 m	300 kg
Fork for manure 2 cyl 1,8 m	320 kg
Fork for manure 2 cyl 2,0 m	340 kg



Fork for strawbales

Product	Weight
Fork for strawbales 2 dents	70 kg
Fork for strawbales 3 dents	80 kg



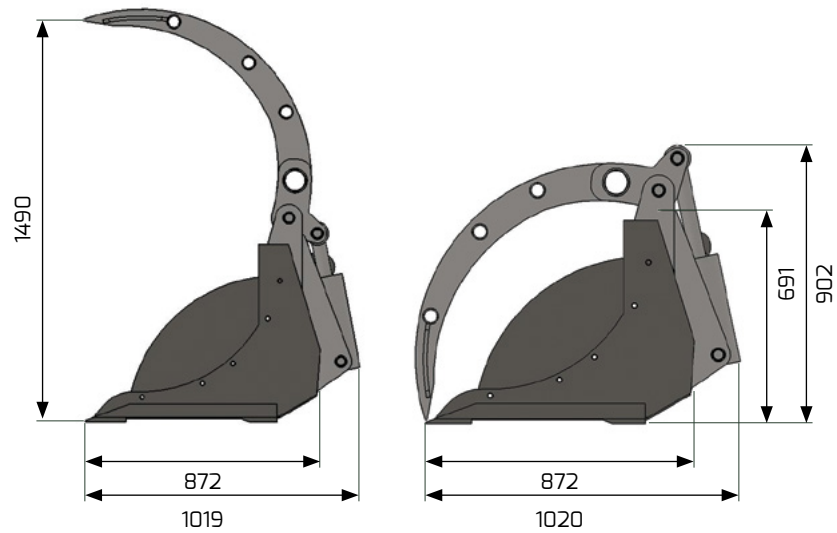
### Bucket with grapple

Product	Weight
Bucket with grapple 1 cyl 1,4 m	345 kg
Bucket with grapple 2 cyl 1,6 m	410 kg
Bucket with grapple 2 cyl 1,8 m	460 kg
Bucket with grapple 2 cyl 2,0 m	505 kg

### Fork for manure with grapple

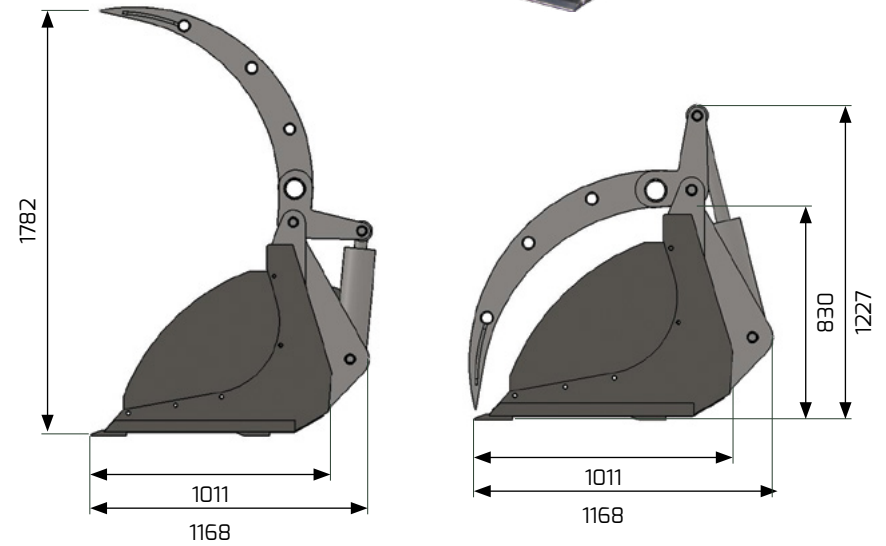
Product	Weight
Fork for manure with grapple 1 cyl 1,3 m	235 kg
Fork for manure with grapple 1 cyl 1,4 m	250 kg
Fork for manure with grapple 2 cyl 1,4 m	270 kg
Fork for manure with grapple 2 cyl 1,6 m	300 kg
Fork for manure with grapple 2 cyl 1,8 m	320 kg
Fork for manure with grapple 2 cyl 2,0 m	340 kg





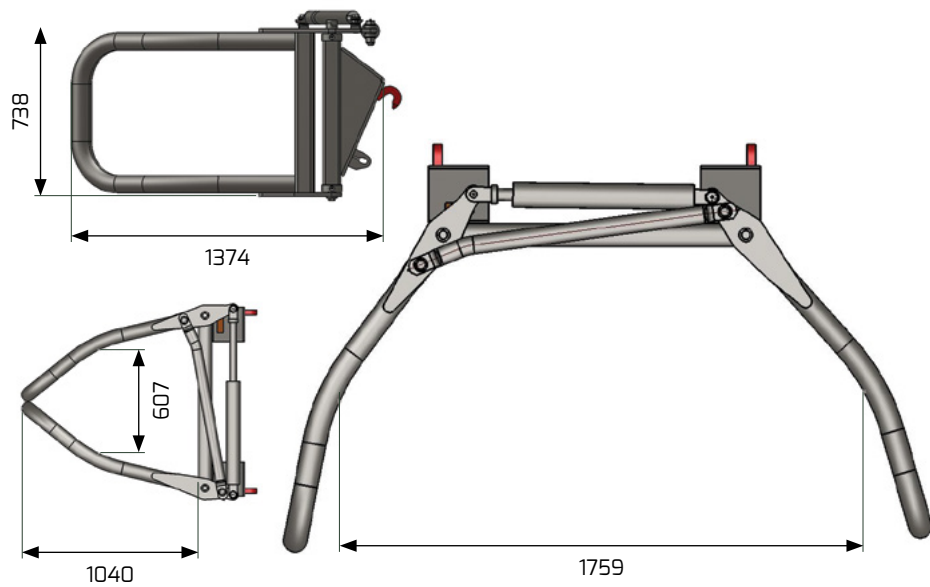
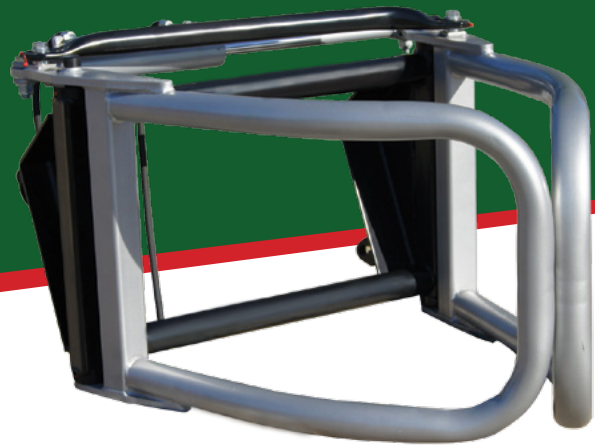
*Pelican small*

Product	Weight
Pelican small 1,8 m	535 kg
Pelican small 2,0 m	555 kg
Pelican small 2,2 m	600 kg
Pelican small 2,4 m	625 kg



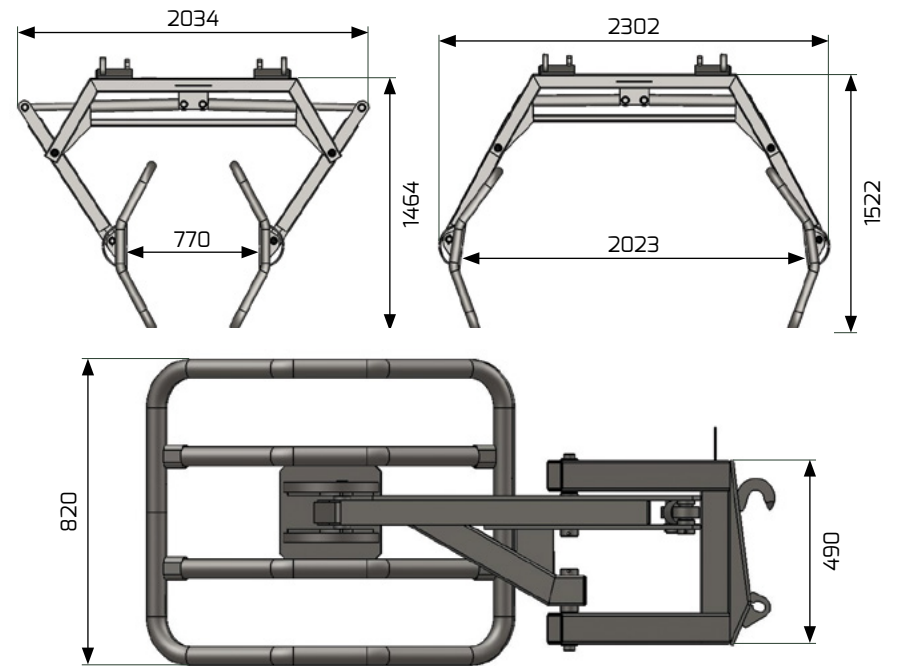
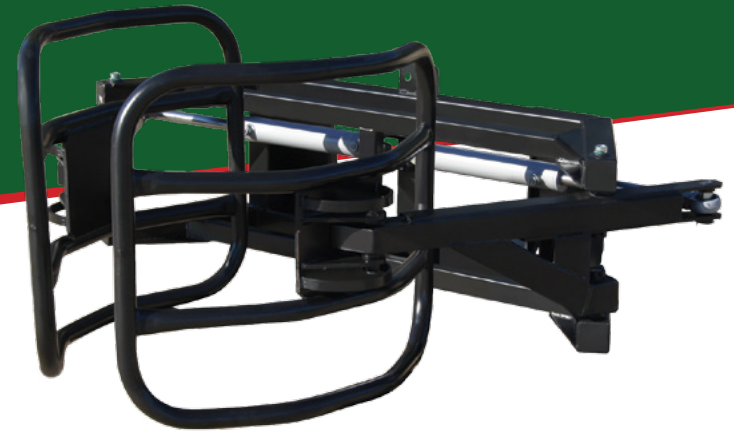
*Pelican big*

Product	Weight
Pelican big 1,8 m	700 kg
Pelican big 2,0 m	725 kg
Pelican big 2,2 m	785 kg
Pelican big 2,4 m	810 kg



*Grab for bales 1*

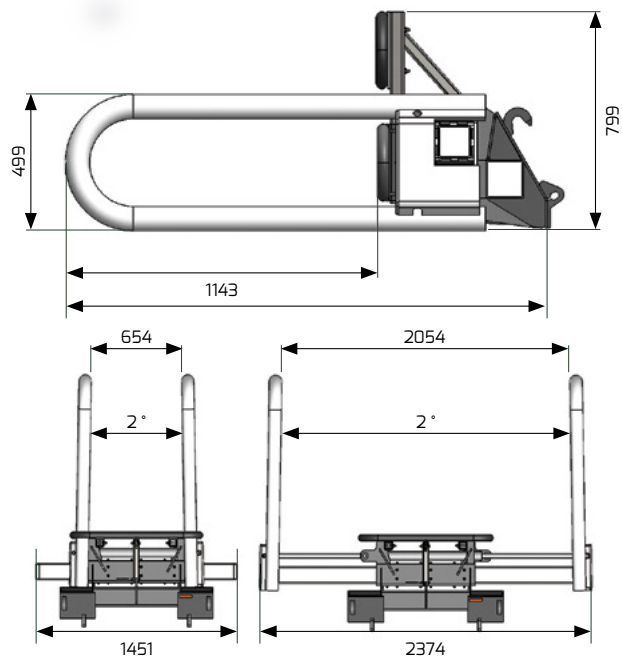
Product	Weight
Grab for bales 1	210 kg



*Grab for bales 2*

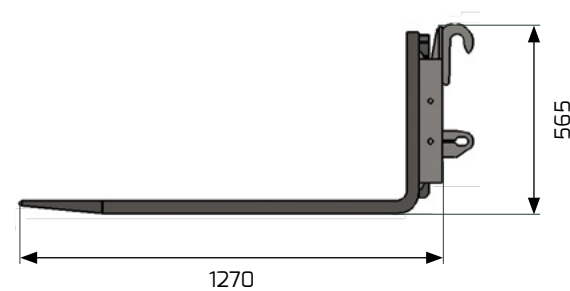
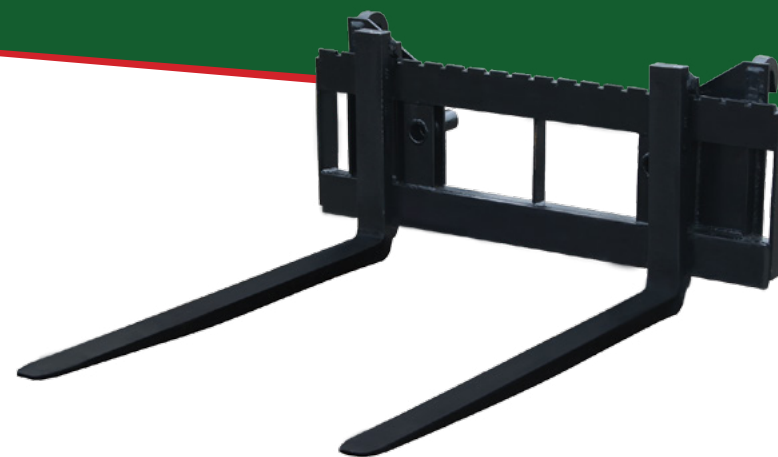
Product	Weight
Grab for bales 2	240 kg





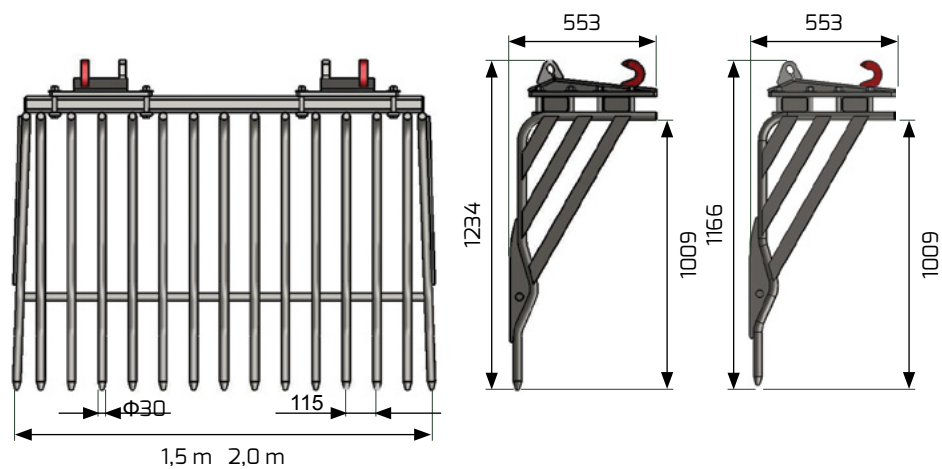
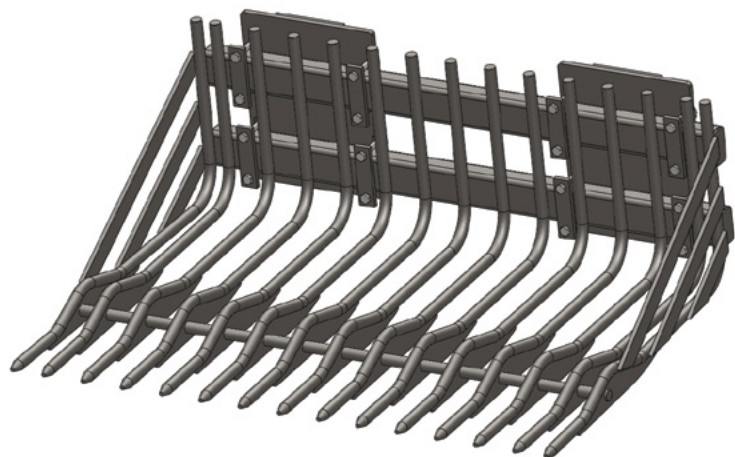
*Grab for square bales*

Product	Weight
Grab for square bales	345 kg



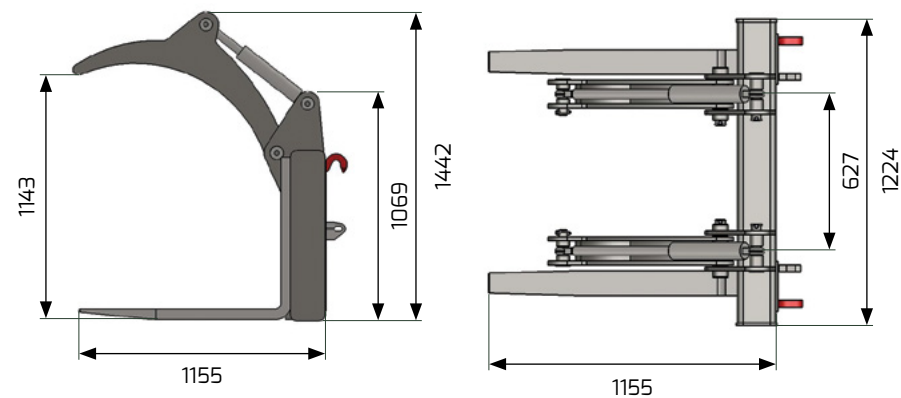
*Pallet fork*

Product	Weight
Pallet fork	170 kg



*Scoob for stones*

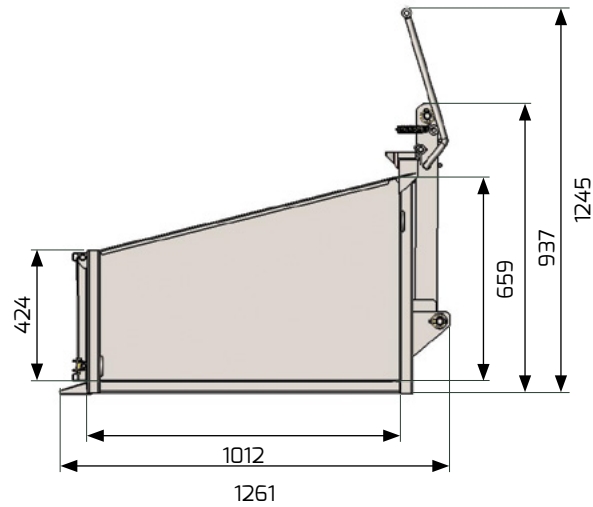
Product	Weight
Scoob for stones 1,5 m	290 kg
Scoob for stones 2,0 m	350 kg



*Grab for wood*

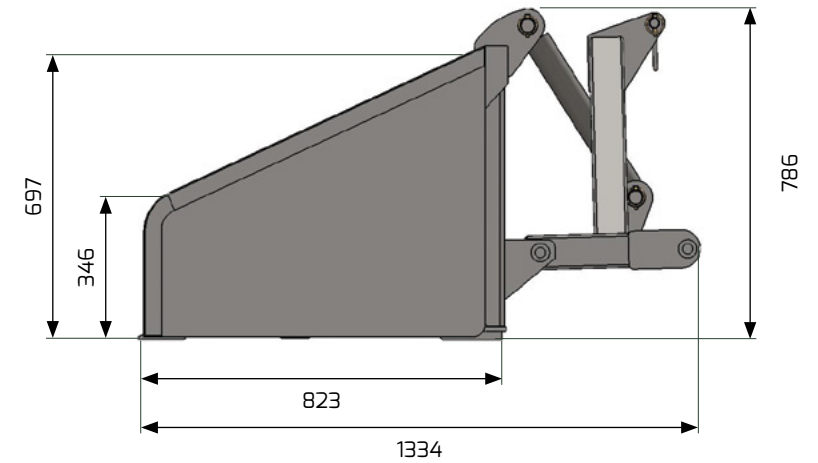
Product	Weight
Grab for wood 1 cyl	385 kg
Grab for wood 2 cyl	465 kg





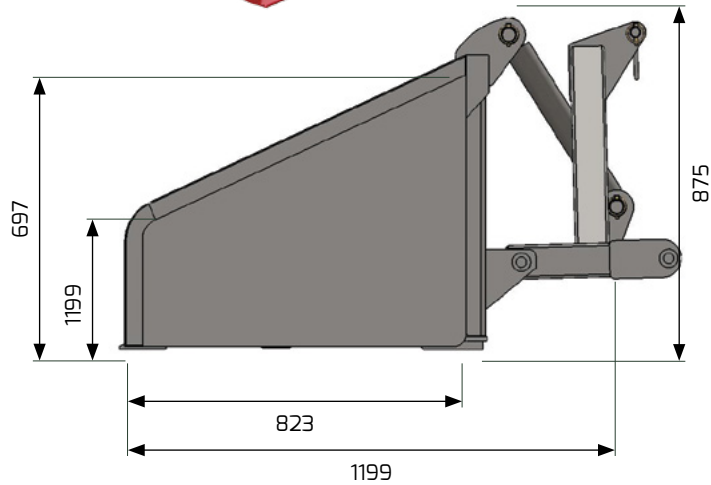
*Packing case- mechanical*

Product	Weight
Packing case- mechanical 1,2 m	150 kg
Packing case- mechanical 1,5 m	165 kg
Packing case- mechanical 1,8 m	185 kg
Packing case- mechanical 2,0 m	195 kg



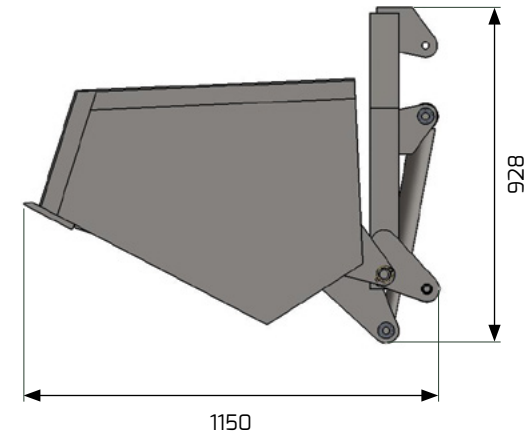
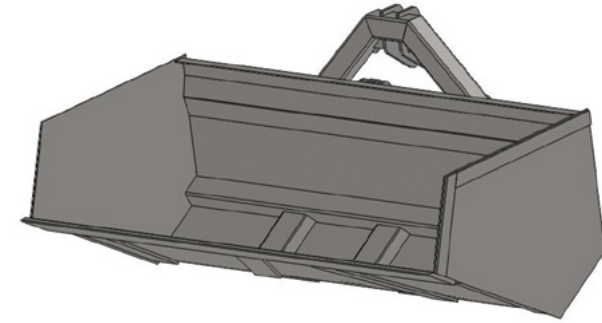
*Packing case- hydraulic TYPE1*

Product	Weight
Packing case- hydraulic 1,2 m	210 kg
Packing case- hydraulic 1,5 m	230 kg
Packing case- hydraulic 1,8 m	260 kg
Packing case- hydraulic 2,0 m	280 kg



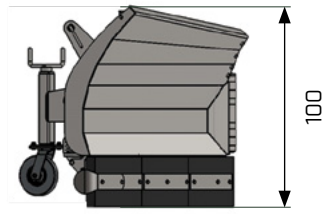
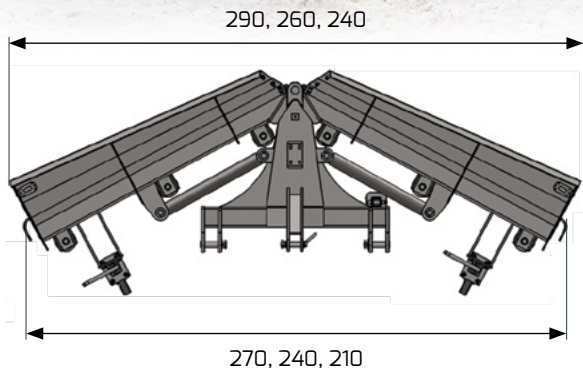
*Packing case- hydraulic TYPE 2*

Product	Weight
Packing case- hydraulic 1,2 m	210 kg
Packing case- hydraulic 1,5 m	230 kg
Packing case- hydraulic 1,8 m	260 kg
Packing case- hydraulic 2,0 m	280 kg



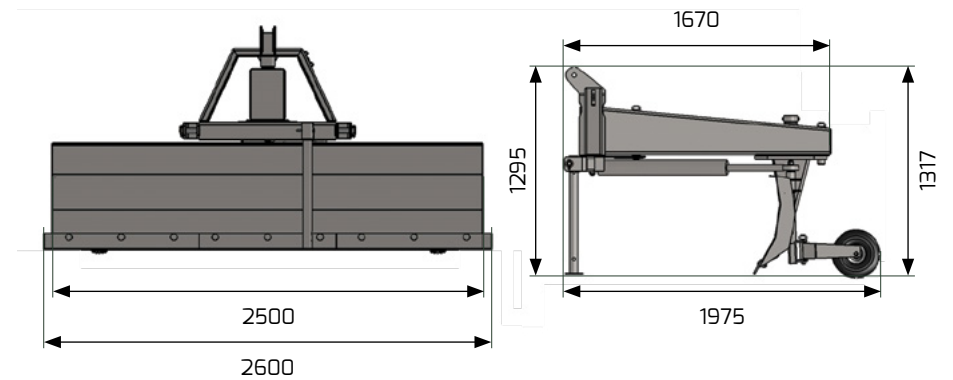
*Packing case- hydraulic TYPE 3*

Product	Weight
Packing case - hydraulic 1,2 m	280 kg
Packing case - hydraulic 1,5 m	300 kg
Packing case - hydraulic 1,8 m	320 kg
Packing case - hydraulic 2,0 m	340 kg



*Bulldozer TYPE V*

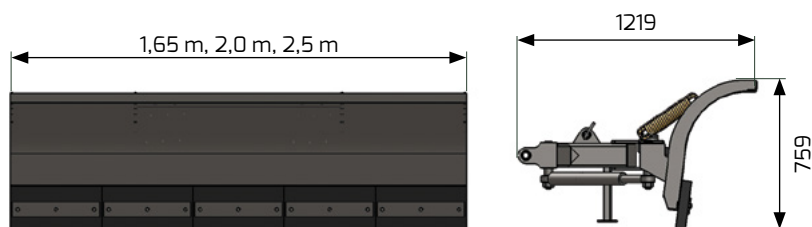
Product	Weight
Bulldozer TYPE V 2,5 m	470 kg
Bulldozer TYPE V 2,7 m	500 kg
Bulldozer TYPE V 3,0 m	520 kg



*Snowplough*

Product	Weight
Snowplough 2,5 m	430 kg
Snowplough 2,7 m	510 kg
Snowplough 3,0 m	630 kg





### Bulldozer

Product	Weight
Bulldozer 1,6 m	195 kg
Bulldozer 2,0 m	240 kg
Bulldozer 2,5 m	265 kg

### Galvanized bulldozer

Product	Weight
Galvanized bulldozer 2,7 m standard	155 kg
Galvanized bulldozer 2,7 m manuel	180 kg
Galvanized bulldozer 2,7 m hydraulique	270 kg



Sand spreader

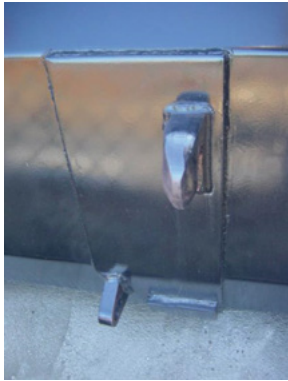
Product	Weight	Capacity
Sand spreader 1,8 m	390 kg	0,52 m <sup>3</sup>
Sand spreader 2,1 m	485 kg	0,6 m <sup>3</sup>
Sand spreader 2,4 m	690 kg	1,2 m <sup>3</sup>



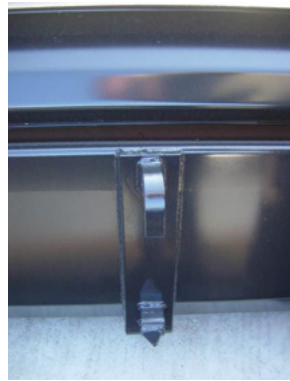
Excavator

	H-500	H-500T	H-800T	H-800T
max height	5622 mm	6163 mm	6746 mm	7395 mm
max depth	1928 mm	2624 mm	2313 mm	3149 mm
max width	3417 mm	3417 mm	4101 mm	4101 mm
max extension	4399 mm	5068 mm	5279 mm	6081 mm
weight	590 kg	635 kg	965 kg	1040 kg

*Types of fixing*



*EURO*



*TRIMA*

<i>FRONT LOADER</i>	<i>Xtreme-S T-475</i>	<i>Xtreme-M T-475/4</i>	<i>Xtreme-1 T-475/1</i>	<i>Xtreme-2 T-475/2</i>	<i>Xtreme-3 T-475/3</i>
<i>Raising nominally</i>	<i>800 kg</i>	<i>1200 kg</i>	<i>1600 kg</i>	<i>1900 kg</i>	<i>2500 kg</i>
<i>The hight of raising</i>	<i>2940 mm</i>	<i>3633 mm</i>	<i>3816 mm</i>	<i>4041 mm</i>	<i>4609 mm</i>
<i>Loader Weight complete!</i>	<i>285 kg</i>	<i>540 kg</i>	<i>590 kg</i>	<i>605 kg</i>	<i>790 kg</i>
<i>The Power of the Tractor</i>	<i>&lt; 60 Hp</i>	<i>60-80 Hp</i>	<i>80-100 Hp</i>	<i>100-140 Hp</i>	<i>140-200 Hp</i>



## PPHU Hydramet sp.z.o.o.

11-500 Giżycko, Gajewo ul. Obwodowa 3, Poland

Tel. +48 (87) 4286121, Fax +48 (87) 4298103

[www.hydramet.pl](http://www.hydramet.pl) | [info@hydramet.pl](mailto:info@hydramet.pl)

*Dealer*

