

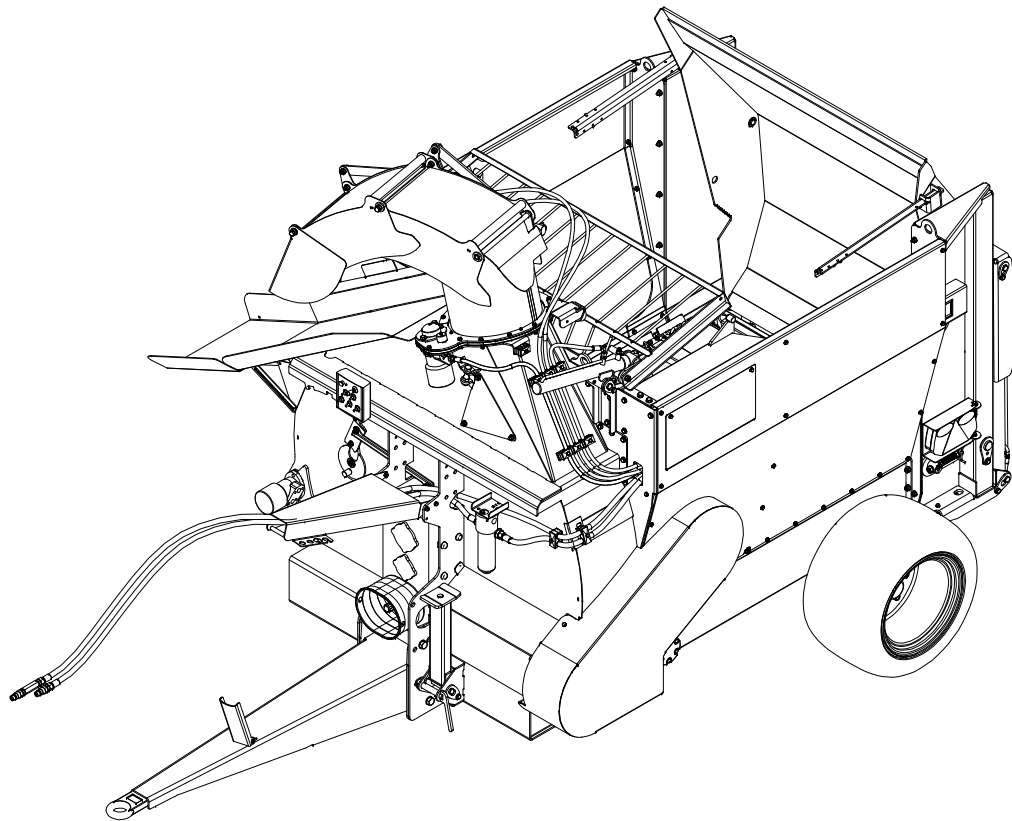
# McHale *C460*



QUALITY

I.S. EN ISO 9001:2015

**NSAI Certified**



## **C460** **Spare Parts Book**

McHale,  
Ballinrobe,  
Co. Mayo, Ireland.

Tel: +353 94 9520300

Fax: +353 94 9520356

Email: [sales@mchale.net](mailto:sales@mchale.net)

Website: [www.mchale.net](http://www.mchale.net)

---

This page is intentionally left blank

---

## Introduction

---

The **McHale C460** which you have purchased has been developed through years of constant research and development. Given proper care and attention the **C460** will give years of reliable and dependable performance. However it is important that the operators manual is read and fully understood to achieve this, **before** the machine is operated. As part of this philosophy it is vital to use only **genuine McHale** replacement parts, as these are manufactured to the same high standard as the original machine. These may be obtained through your **McHale** dealer.

If any part of this manual is not fully understood, please contact your **McHale** dealer who will be able to answer any questions or queries that you might have. It is important to quote the machine serial number when requiring spare parts or technical assistance. Space is provided below to record the machine details:

<b>Serial number:</b>	
<b>Year of manufacture:</b>	
<b>Date of delivery:</b>	

If you require further copies of this spare parts manual please  
quote part number CLT00446

**Note:** Parts described as left and right are done so according to the direction that the machine normally travels in.

**Note:** Due to a policy of continuous product development and improvement *McHale Engineering* reserve the right to alter machine specifications without prior notice.

---

# Contents

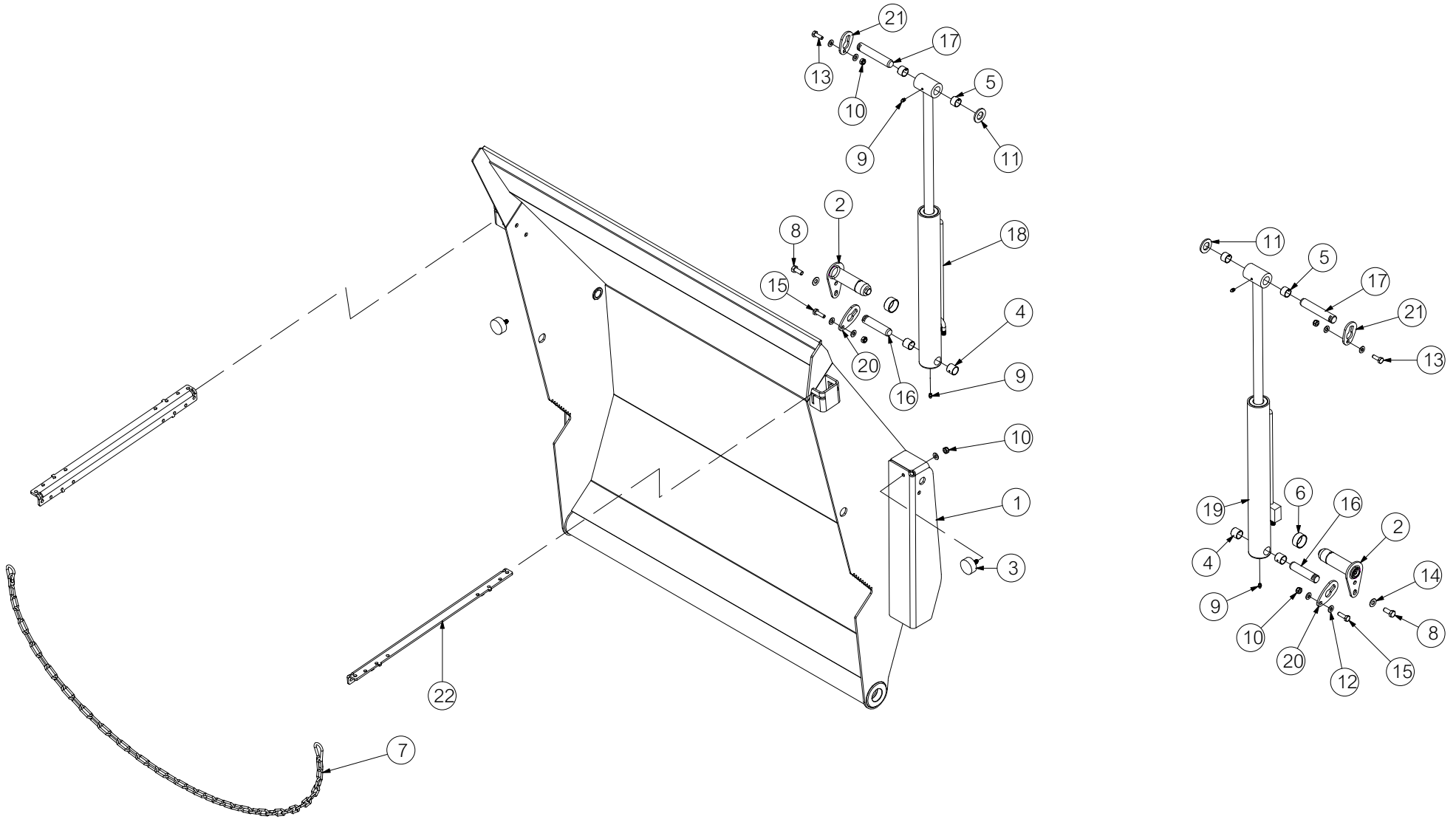
---

Section	Page	Document	Section	Page	Document
<b>Chassis</b>			Decals 2 (912)	56	SPD00912
Loading Door (716)	6	SPD00716			
Rear chassis (717)	8	SPD00717			
Floor Conveyor (718)	10	SPD00718			
Chassis Floor (719)	12	SPD00719			
Rotor & Comb (720)	14	SPD00720			
Blower chassis (722)	16	SPD00722			
Chute & slide (725)	18	SPD00725			
Chute Assembly (712) Up to Serial No. 850104	20	SPD00712			
Chute assembly (796) From Serial No. 850105	22	SPD00796			
Drawbar & stand (724)	24	SPD00724			
Swing drawbar options (1072)	26	SPD01072			
Belt tensioner (723)	28	SPD00723			
Panels (726)	30	SPD00726			
Axle & Wheels (713)	32	SPD00713			
Mudguards Steel (972)	34	SPD00972			
Mudguards Plastic (1137)	36	SPD01137			
Gearbox (728)	38	SPD00728			
PTO shaft [WWE2480] (1048)	40	SPD01048			
<b>Hydraulic &amp; Electrical</b>					
Hydraulic Components (721)	42	SPD00721			
Hydraulic valve main control CVA00363 (729)	44	SPD00729			
Electrical control [Up to Serial No 852499] (765)	46	SPD00765			
Electrical control [From Serial No 852500] (1090)	48	SPD01090			
Expert control unit (1074)	50	SPD01074			
Electrical lighting kit (1169)	52	SPD01169			
<b>Decals</b>					
Decals 1 (911)	54	SPD00911			

---

This page is intentionally left blank

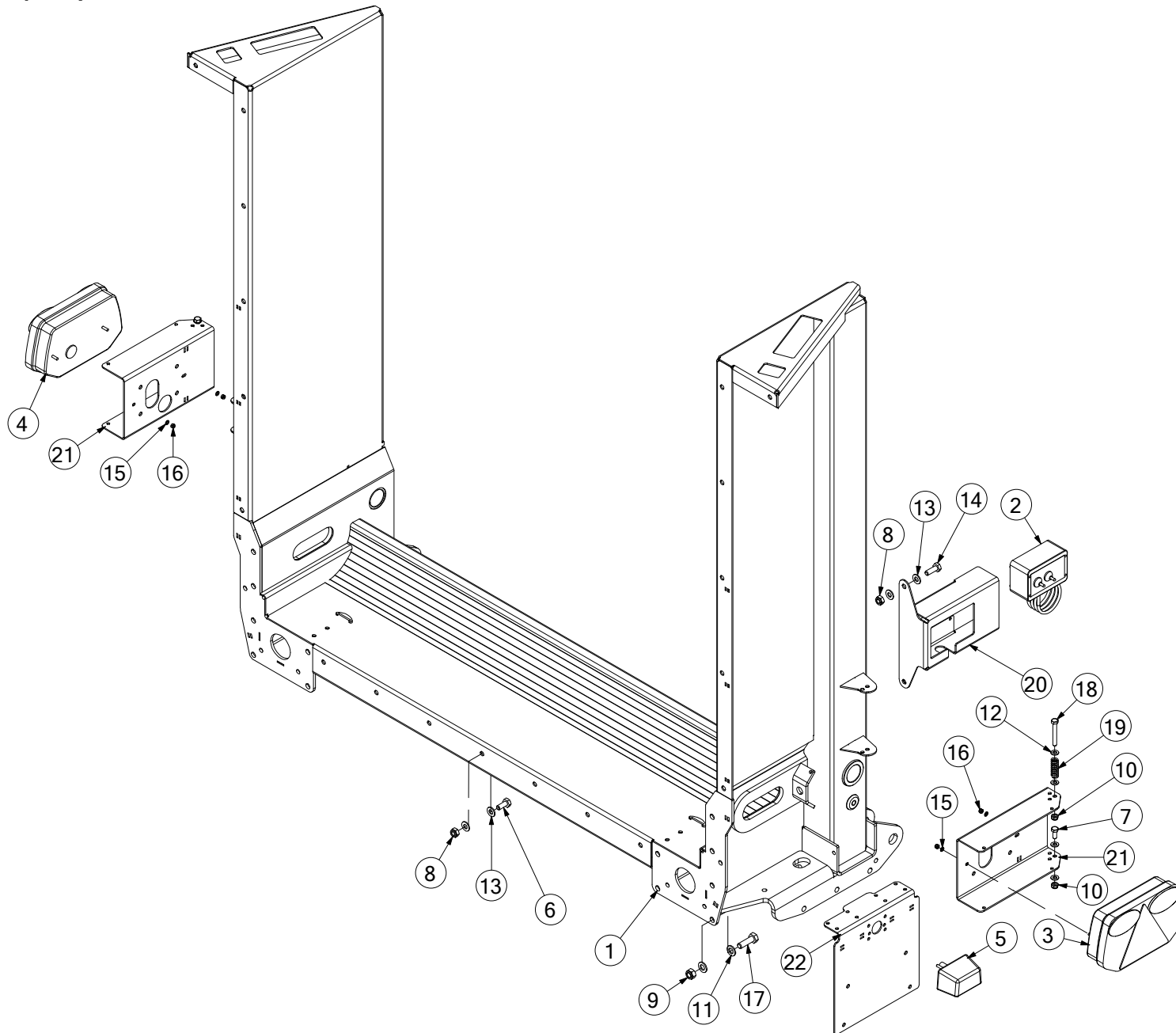
# Loading Door (716)



No.	Part No	Description	Qty
1	ABS00057	LOADING DOOR BALE SHREDDER	1
2	ABS00065	DOOR HINGE PIN BALE SHREDDER	2
3	CBE00002	BUFFER RUBBER 50X21 M10X28	2
4	CBR00039	BEARING GLACIER PM 2525 DX	4
5	CBR00040	BEARING GLACIER PM 25 X 20	4
6	CBR00252	BEARING GLACIER 40X44X20	2
7	CCH00177	BIG BALE CHAIN 2M C4 SERIES	1
8	CFA00032	SETSCREW M12X30 Z/P	2
9	CFA00118	GREASE NIPPLE M8X1.25 STRAIGHT	6
10	CFA00123	NUT M10 NYLOC	6
11	CFA00135	WASHER FLAT 1" Z/P	2
12	CFA00201	WASHER FLAT 10 MM Z/P	10
13	CFA00230	SETSCREW M10X30 Z/P GRADE 12.9	2
14	CFA00250	WASHER SKM12	2
15	CFA00311	SETSCREW M10X35 Z/P	2
16	CMH00443	PIN 25 X 110 MILLED FOR CAP Z/P	2
17	CMH00675	PIN 25 X 140 MILLED FOR CAP Z/P	2
18	CRA00280	RAM LOADING DOOR C4 SERIES	1
18a	CSE00039	SEAL KIT TABLE TIP LINKAGE	1
<i>SEAL KIT FOR RAM CRA00280 &amp; CRA00295</i>			
19	CRA00295	RAM 60X30X435STROKE C4 SERIES	1
19a	CSE00039	SEAL KIT TABLE TIP LINKAGE	1
<i>SEAL KIT FOR RAM CRA00280 &amp; CRA00295</i>			
19b	CVA00035	CTE CHECKVALVE MCHALE	1
19c	CSE00674	SEAL KIT SUN CB VALVE CTE	1
<i>SEAL KIT FOR CVA00035</i>			
20	CZF00292	6MM L CAP LONG FOR 25MM PINS	2
21	CZF00293	6MM L CAP SHORT FOR 25MM PINS	2
22	CZF03423	6MM L BIG BALE HOLDER C4 SERIES	2

No.	Part No	Description	Qty
-----	---------	-------------	-----

# Rear chassis (717)

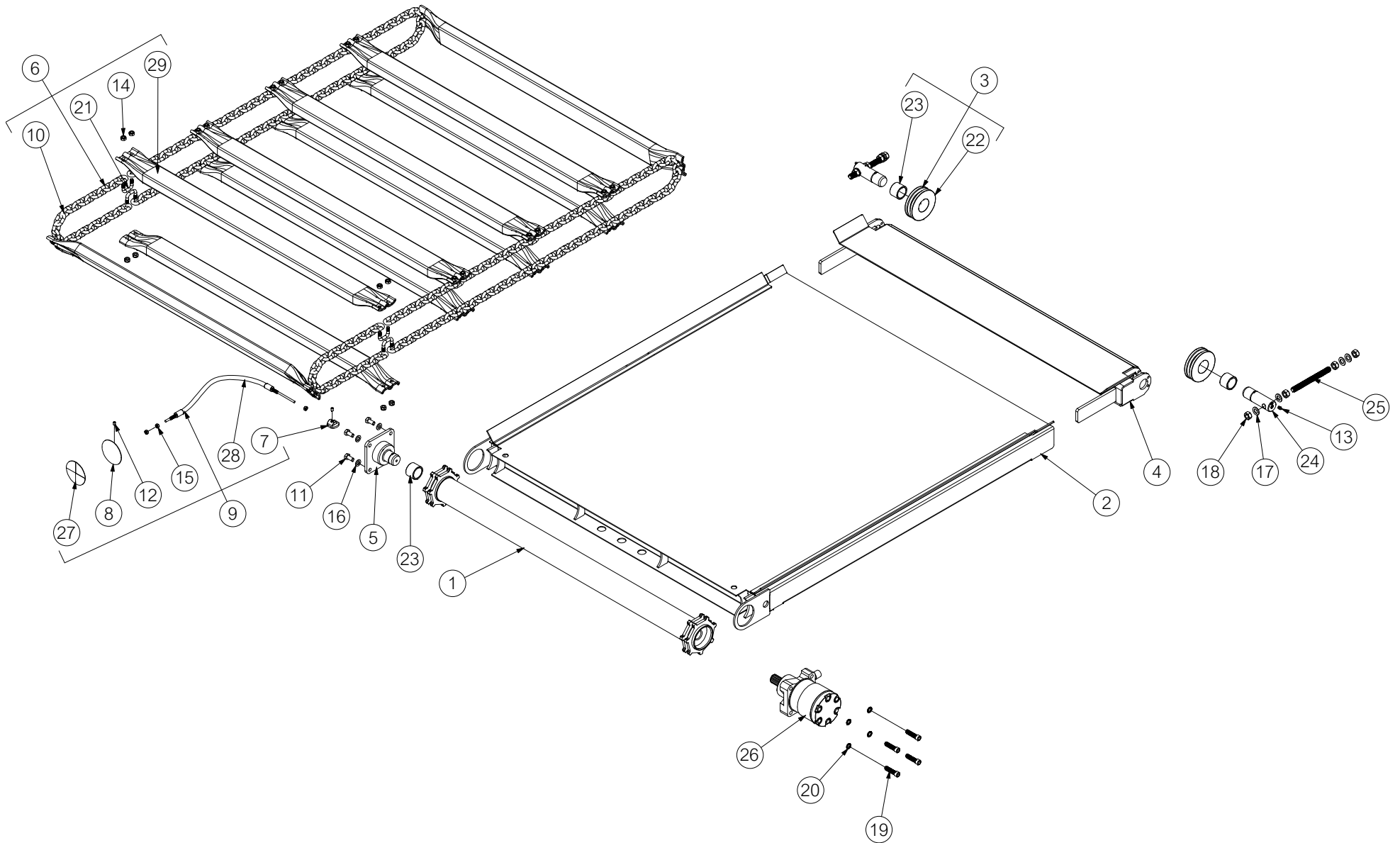




No.	Part No	Description	Qty
1	ABS00052	REAR CHASSIS WELD ASSY C4 SERIES	1
2	CEL00320	SWITCH BOX REAR BALE SHREDDER	1
<i>C430, C460 &amp; C470 ONLY (KIT INCLUDES SWITCH BOX &amp; EXTENSION)</i>			
2	CEL01651	C490 REAR SWITCH BOX	1
<i>C490 ONLY (EXTENSION CEL01652 MUST BE ORDERED SEPARATELY)</i>			
3	CEL00700	TAIL LIGHT RADEX LEFT	1
4	CEL00701	TAIL LIGHT RADEX RIGHT	1
5	CEL00720	REG PLATE LIGHT 900MM (RADEX)	1
<i>USED ON MACHINES UP TO SERIAL No 852408 (CEL00972 CAN BE USED AS A DIRECT ALTERNATIVE 1300MM)</i>			
5	CEL01662	REG LIGHT TYPE APPROVED 900MM	1
<i>USED ON MACHINES FROM SERIAL No 852409 (CEL01663 CAN BE USED AS A DIRECT ALTERNATIVE 1300MM)</i>			
6	CFA00024	SETSCREW M10X25 Z/P	18
7	CFA00052	SETSCREW M8X20 Z/P	2
8	CFA00123	NUT M10 NYLOC	19
9	CFA00124	NUT M12 NYLOC	12
10	CFA00132	NUT M8 NYLOC Z/P	4
11	CFA00138	WASHER FLAT 12MM Z/P	24
12	CFA00147	WASHER FLAT 8MM Z/P	8
<i>POSITION ONE WASHER TOP &amp; BOTTOM BETWEEN ITEMS 21 AND ITEM 1</i>			
13	CFA00201	WASHER FLAT 10 MM Z/P	38
14	CFA00230	SETSCREW M10X30 Z/P GRADE 12.9	12
15	CFA00320	WASHER FLAT 5MM	4
16	CFA00321	NUT M5 NYLOC	4
17	CFA00324	SETSCREW M12X40 Z/P	12
18	CFA00340	BOLT M8X60 Z/P	2
19	CSG00058	SPRING COMP 2.2WDX15ODX9 COIL	2
<i>REPLACES CSG00033</i>			
20	CZC03474	3MM L DOOR SWITCH BRKT C4 SERIES	1
21	CZC03475	3MM L LIGHT BRACKET C4 SERIES	2
22	CZC05358	3MM L REG PLATE BRKT 991	1

No.	Part No	Description	Qty
-----	---------	-------------	-----

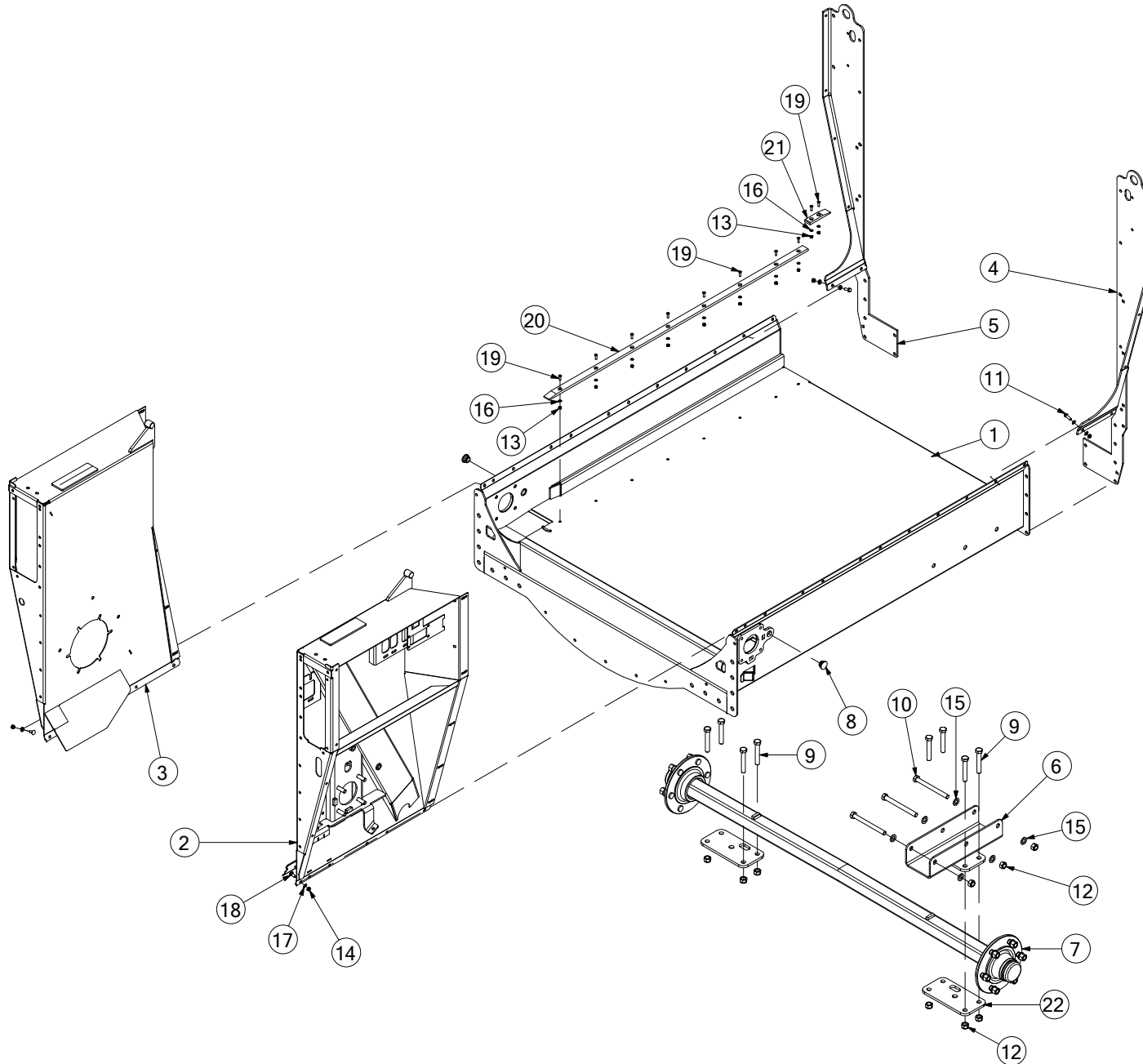
# Floor Conveyor (718)



No.	Part No	Description	Qty
1	ABS00043	FLOOR AXLE BALE SHREDDER	1
2	ABS00048	FLOOR WELD BALE SHREDDER	1
3	ABS00050	FLOOR IDLE ROLLER BALE SHREDDER	2
4	ABS00051	REAR FLOOR WELD BALE SHREDDER	1
5	ABS00058	FLOOR PIN IDLE SIDE BALE SHREDDER	1
6	ABS00066	FLOOR CHAIN AND SLAT ASSEMBLY	1
7	ABS00122	DRIVER FLOOR INDICATOR C4	1
8	ABS00123	FLOOR INDICATOR C4	1
9	ABS00124	FLOOR INDICATOR ASM C4	1
10	CCH00175	CHAIN FLOOR 11 LINKS C4 SERIES	18
10	CCH00176	CHAIN FLOOR 13 LINKS C4 SERIES	2
11	CFA00031	SETSCREW M12X25 Z/P	4
12	CFA00051	GRUBSCREW M8X10	2
13	CFA00118	GREASE NIPPLE M8X1.25 STRAIGHT	2
14	CFA00123	NUT M10 NYLOC	40
15	CFA00133	NUT M8 Z/P	3
16	CFA00138	WASHER FLAT 12MM Z/P	4
17	CFA00140	WASHER FLAT 16MM Z/P	8
18	CFA00231	NUT M16 Z/P	8
19	CFA01005	BOLT M12X70 SOC CAP Z/P 12.9 GRADE <i>REPLACES CFA00557 (M12X50 SOC CAP Z/P) USED WITH OLD MOTOR CMT00266</i>	4
20	CFA00799	WASHER M12 NORDLOC	4
21	CFA00878	U BOLT M10 31X30 8.8GRADE	20
22	CMH01335	FLOOR IDLE ROLLER BALE SHREDDER	2
23	CMH01336	BUSH 40X50X35 C4 SERIES	3
24	CMH01364	PIN 130X40 FLOOR BALE SHREDDER	2
25	CMH01419	STUD BAR M16X185 C4 SERIES	2
26	CMT00282	MOTOR 750CC 14 TOOTH SPLINE SHAFT <i>ALSO ORDER 4 x ITEM 19 (CFA01005 M12x70 SOC CAP) REPLACES MOTOR CMT00266</i>	1
27	CST00734	DECAL FLOOR INDICATOR C4 SERIES	1
28	CTP00118	CABLE DRIVE FLOOR INDICATOR C4	1
29	CXB00266	B080X040X1305 BALE SHREDDER FLOOR	10

No.	Part No	Description	Qty
-----	---------	-------------	-----

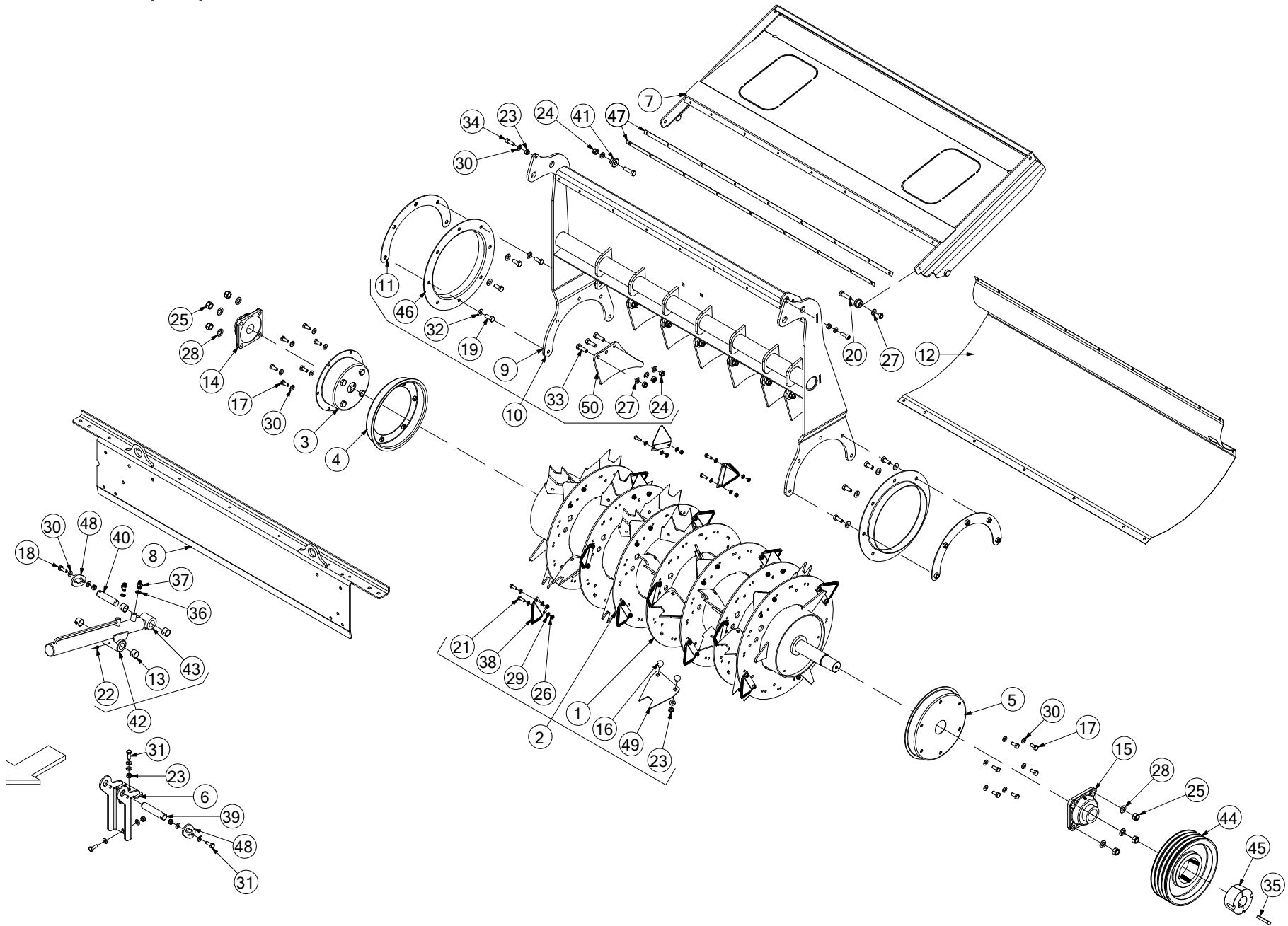
# Chassis Floor (719)



No.	Part No	Description	Qty
1	ABS00034	C4 SERIES FLOOR WELD ASSY	1
2	ABS00035	C4 SERIES LEFT INNER SIDE WELD	1
3	ABS00036	C4 SERIES RIGHT INNER SIDE WELD	1
4	ABS00063	REAR CORNER LEFT BALE SHREADER	1
5	ABS00064	REAR CORNER RIGHT BALE SHREADER	1
6	ABS00257	AXLE BRACKET C4 SERIES BOLT ON	2
7	CAX00135	AXLE 60MM 6STUD 1740MM	1
8	CBC00010	CAP PLASTIC INSERT 1"	2
9	CFA00040	BOLT M16X100 Z/P	8
10	CFA00061	BOLT M16X170 Z/P	6
11	CFA00102	SETSCREW M8X25 Z/P	12
12	CFA00128	NUT M16 NYLOC	14
13	CFA00131	NUT M6 NYLOC	20
14	CFA00132	NUT M8 NYLOC Z/P	18
15	CFA00140	WASHER FLAT 16MM Z/P	12
16	CFA00144	WASHER FLAT 6MM Z/P	20
17	CFA00147	WASHER FLAT 8MM Z/P	30
18	CFA00506	SETSCREW M8X20 CUPHEAD SQ ZP	6
19	CFA00587	BOLT M6X20 CSK ZP	20
20	CMH01531	WEAR STRIP 10X30X1440 C4 SERIES	2
21	CMH01686	WEAR STRIP 10X30X113 C4 SERIES	2
22	CZH03742	10MM L C4 CHASSIS AXLE PLATE	2

No.	Part No	Description	Qty
-----	---------	-------------	-----

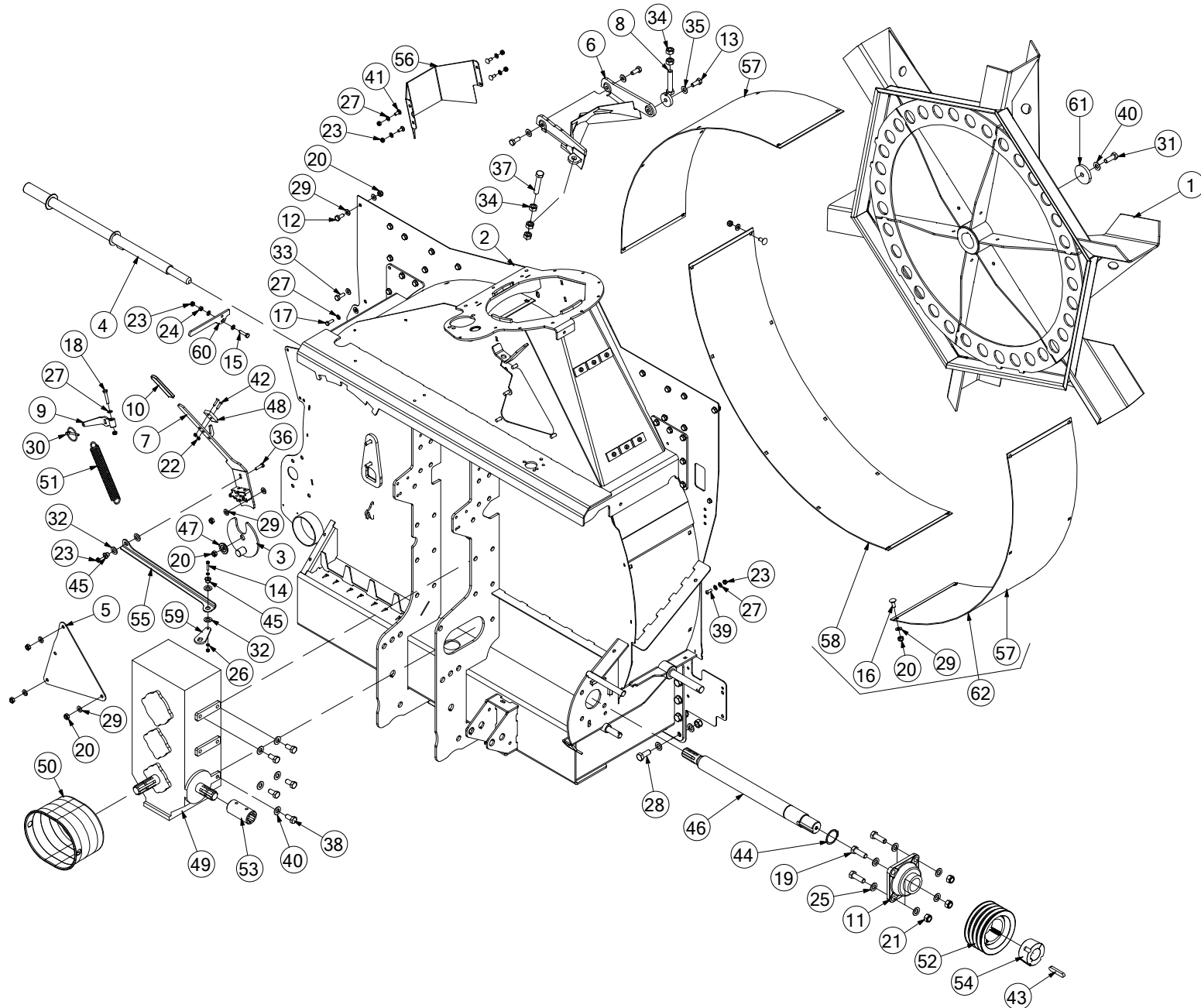
# Rotor & Comb (720)



No.	Part No	Description	Qty
1	ABS00258	7 DISC ROTOR KIT C3/C4 SERIES	1
2	ABS00027	BALE SHREDDER ROTOR COMPLETE	1
3	ABS00041	ROTOR MOUNTING IDLE SIDE C4	1
4	ABS00044	ROTOR COVER RING RIGHT C4	1
5	ABS00045	ROTOR COVER RING LEFT C4	1
6	ABS00049	COMB RAM BRACKET BALE SHREDDER	1
7	ABS00134	TOP COVER UPGRADE C4 SERIES	1
<i>FROM SERIAL NO 850000 UP TO 850111</i>			
7	ABS00061	COMB COVER BALE SHREDDER	1
<i>FROM SERIAL NO 850112 ONWARDS</i>			
8	ABS00074	CROSS BEAM FRAME C4 SERIES	1
9	ABS00255	ROTOR COMB C4 SERIES	1
10	ABS00256	COMB COMPLETE C4 SERIES	1
11	CZF03330	6MM L ROTOR COMB BRACKET	2
<i>6MM SLOTTED PLATES USED UP TO SERIAL No 852407</i>			
11	ABS00282	WELD NUT ASSY C4 COMB	2
<i>USED FROM SERIAL No 852408 ONWARDS</i>			
12	CBE00059	CANVAS CURTAIN 1370X813 C4 SERIES	1
13	CBR00040	BEARING GLACIER PM 25 X 20	4
14	CBR00120	4 BOLT CAST FLANGE BEARING	1
15	CBR00121	4 BOLT CAST FLANGE BEARING	1
16	CFA00017	SETSCREW M10X30 CUP SQ Z/P	4
17	CFA00024	SETSCREW M10X25 Z/P	12
18	CFA00025	SETSCREW M10X30	1
19	CFA00032	SETSCREW M12X30 Z/P	10
20	CFA00079	BOLT M12X45	2
21	CFA00102	SETSCREW M8X25 Z/P	56
22	CFA00118	GREASE NIPPLE M8X1.25 STRAIGHT	2
23	CFA00123	NUT M10 NYLOC	11
<i>QTY WAS 84 UP TO SERIAL No 852407</i>			
24	CFA00124	NUT M12 NYLOC	24
25	CFA00128	NUT M16 NYLOC	8
26	CFA00132	NUT M8 NYLOC Z/P	56
27	CFA00138	WASHER FLAT 12MM Z/P	44
28	CFA00140	WASHER FLAT 16MM Z/P	8
29	CFA00147	WASHER FLAT 8MM Z/P	112
30	CFA00201	WASHER FLAT 10 MM Z/P	28
<i>QTY WAS 118 UP TO SERIAL No 852407</i>			
31	CFA00230	SETSCREW M10X30 Z/P GRADE 12.9	4
32	CFA00250	WASHER SKM12	10
33	CFA00016	BOLT M10X35	21
<i>USED UP TO SERIAL No 852407</i>			
33	CFA00297	BOLT M12X40 Z/P	21
<i>USED FROM SERIAL No 852408 ONWARDS</i>			
34	CFA00602	SETSCREW M10X30 SOC CAP Z/P	2
35	CFA00899	KEY 14X9X70	1
36	CHY00015	WASHER DOWTY 1/4"	2
37	CHY02010	ADAPTOR 1/4" BSP M/M	2
38	CKN00018	KNIFE BALE SHREADER ROTOR	56
39	CMH00387	PIN 25X120 MILLED FOR CAP Z/P	1

No.	Part No	Description	Qty
40	CMH00422	PIN 25 X 100 MILLED FOR CAP Z/P	1
41	CMH00771	BUSH 12X35 STEPPED	2
42	CRA00272	RAM COMB 40X25X440STROKE C4	1
42a	CSE00641	SEAL KIT FOR RAM CRA00272	1
<i>REPLACEMENT SEAL KIT FOR RAM CRA00272</i>			
43	CRA00274	RAM ROD 40X25X440 STROKE C4	1
44	CTP00356	280MM DP 4 R PULLEY	1
45	CTP00374	3020-45 TAPER LOCK C4 SERIES	1
46	CTP00521	3MM L COMB PIVOT C4 SERIES PRESS STEEL	2
47	CZB02459	1.5MM L CANVAS CURTAIN C4 SERIES	2
48	CZF00293	6MM L CAP SHORT FOR 25MM PINS	2
49	CZF03430	6MM L ROTOR EXTENSION	28
50	CZG02374	8MM L ROTOR COMB STRAW FINGERS	7
<i>USED UP TO SERIAL No 852407</i>			
50	CZG02630	8MM L COMB PLATE C4 SERIES	7
<i>USED FROM SERIAL No 852408 ONWARDS</i>			
50	CZG02337	8MM L ROTOR COMB STRAW FINGERS	7
<i>KEEPS THE BALE FURTHER AWAY FROM THE ROTOR &amp; HELPS PREVENT CONTINUOUS ROTOR BLOCKAGES</i>			

# Blower chassis (722)

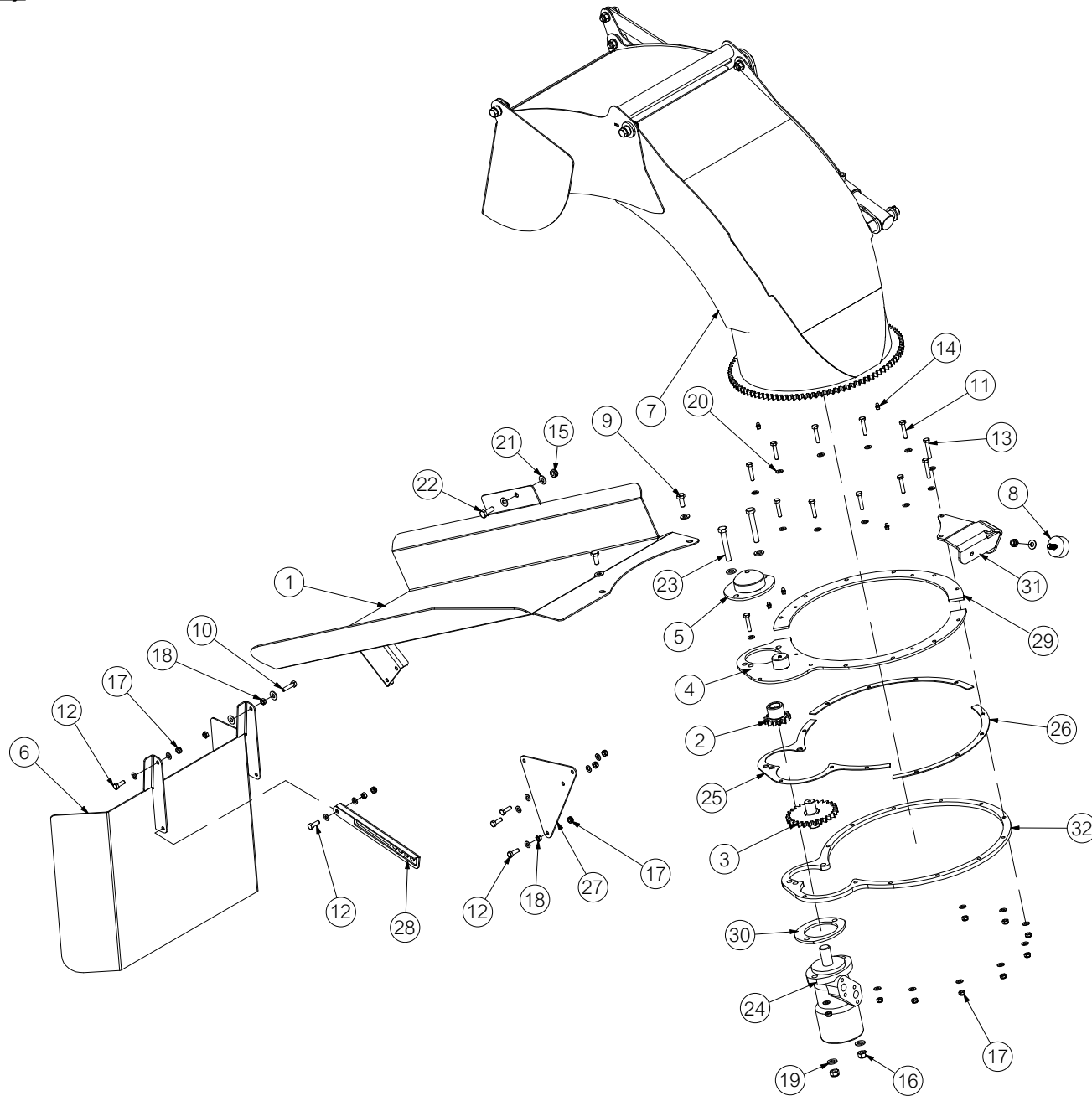




No.	Part No	Description	Qty
1	ABS00025	BALE SHREADER BLOWER WELD ASSY	1
2	ABS00032	BALE SHREADER BLOWER CHASSIS	1
3	ABS00078	UNBLOCKING DISK C4 SERIES	1
4	ABS00090	UNBLOCKING LEVER C4 SERIES	1
5	ABS00096	KNIFE INSPECTION COVER C4 SERIES	1
6	ABS00110	BLOWER KNIFE C4 SERIES	1
7	ABS00125	GEAR LEVER C4 SERIES	1
8	ABS00239	KNIFE ADJUSTER ASSY C3 C4 SERIES	1
9	ABS00267	C4 SERIES GEAR LEVER SPRING ARM	1
10	CBE00042	RUBBER HANDLE NETTER UNIT	1
11	CBR00121	4 BOLT CAST FLANGE BEARING	1
12	CFA00024	SETSCREW M10X25 Z/P	11
13	CFA00032	SETSCREW M12X30 Z/P	3
14	CFA00047	SETSCREW M6X30 Z/P	1
15	CFA00055	BOLT M8X35 Z/P	2
16	CFA00068	BOLT M10X25 CUP SQ. Z/P	24
17	CFA00102	SETSCREW M8X25 Z/P	2
18	CFA00106	BOLT M8X45 Z/P	1
19	CFA00116	BOLT M16X50 Z/P	4
20	CFA00123	NUT M10 NYLOC	57
21	CFA00128	NUT M16 NYLOC	21
22	CFA00131	NUT M6 NYLOC	3
23	CFA00132	NUT M8 NYLOC Z/P	19
24	CFA00133	NUT M8 Z/P	2
25	CFA00140	WASHER FLAT 16MM Z/P	36
26	CFA00144	WASHER FLAT 6MM Z/P	2
27	CFA00147	WASHER FLAT 8MM Z/P	29
28	CFA00151	SETSCREW M16X40 Z/P	14
29	CFA00201	WASHER FLAT 10 MM Z/P	87
30	CFA00202	LINCH PIN 6MM	1
31	CFA00221	SETSCREW M14X40 Z/P	1
32	CFA00222	WASHER FLAT 14MM Z/P	4
33	CFA00230	SETSCREW M10X30 Z/P GRADE 12.9	17
34	CFA00231	NUT M16 Z/P	5
35	CFA00250	WASHER SKM12	3
36	CFA00316	BOLT M8X30 Z/P	1
37	CFA00332	SETSCREW M16X85 Z/P	1
38	CFA00398	SETSCREW M14X30 Z/P	11
39	CFA00429	SETSCREW M8X20 BUTTON HEAD Z/P	8
40	CFA00449	WASHER SKM14	12
41	CFA00506	SETSCREW M8X20 CUPHEAD SQ ZP	4
42	CFA00759	BOLT M6X25 CSK ZP	2
43	CFA00899	KEY 14X9X70	1
44	CFA00925	CIRCLIP 50MM EXTERNAL	1
45	CMH00742	BUSH 8X20X13 ZINC PLATED	2
46	CMH01330	SHAFT 50X648 STEPPED BALE SHREADER	1
47	CMH01424	BUSH 10.5X40X11 STEPPED	1
48	CMH01530	GEAR LEVER SELECTOR PAD C4 SERIES	1

No.	Part No	Description	Qty
49	CMT00208	GEARBOX BALE SHREADER	1
50	CMT00261	C4 SERIES PTO CONE	1
51	CSG00207	SPRING FUSION 2 SIDETIP	1
52	CTP00355	160MM DP 4 D/1 PULLEY	1
53	CTP00357	PTO SHAFT ADAPTOR BALE SHREADER	1
54	CTP00373	2517-45 TAPPER LOCK C4 SERIES	1
55	CZC03489	3MM L GEARBOX SELECTOR LEVER C4 SERIES	1
56	CZC03599	3MM L BLOWER KNIFE COVER C4 SERIES	1
57	CZC05301	3MM L BOLWER HOUSING LINER	2
58	CZC05417	3MM L BOLWER HOUSING LINER	1
59	CZF03395	6MM L GEARBOX SELECTOR LEVER C4 SERIES	1
60	CZF03447	6MM L UNBLOCKING LEVER C4 SERIES	1
61	CZH03695	10MM L WASHER FAN C4 SERIES	1
62	KST00146	C4 BLOWER LINERS FROM SERIAL No 851399	1

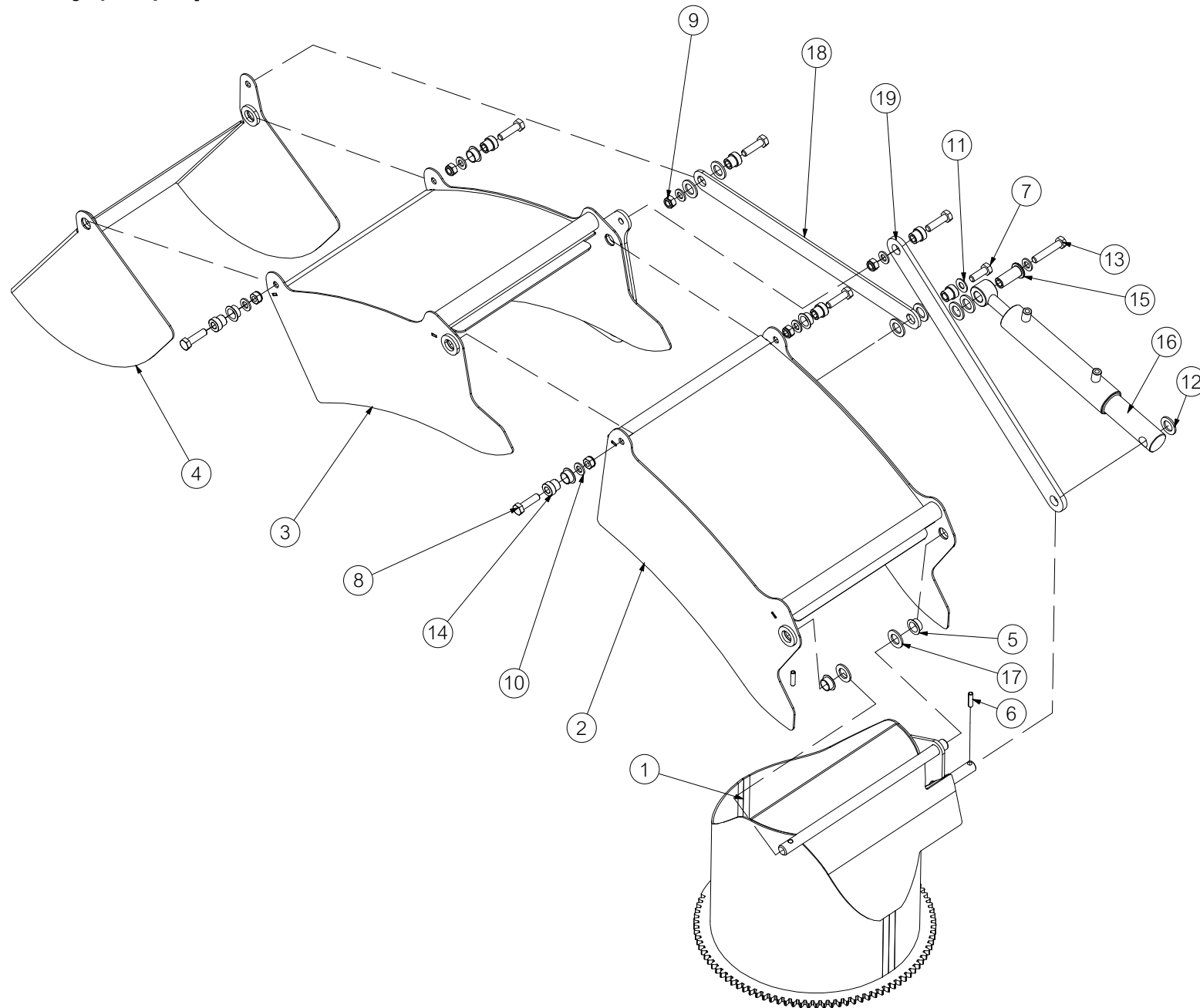
# Chute & slide (725)



No.	Part No	Description	Qty
1	ABS00060	DISCHARGE SLIDE C4 SERIES	1
2	CTP00533	13T SPUR GEAR CHUTE C4 SERIES	1
<i>REPLACES ABS00071</i>			
3	ABS00072	IDLE GEAR CHUTE DRIVE C4 SERIES	1
4	ABS00073	CHUTE RETAINER C4 SERIES	1
5	CTP00526	3MM L GEAR COVER C4 SERIES	1
<i>REPLACES ABS00075</i>			
6	ABS00086	SLIDE EXTENSION OPTION WELD	1
7	ABS00106	CHUTE COMPLETE C4 SERIES	1
<i>FROM SERIAL NO 850105</i>			
7	ABS00040	BALE SHREDDER CHUTE COMPLETE	1
<i>UP TO SERIAL NO 850104</i>			
8	CBE00002	BUFFER RUBBER 50X21 M10X28	1
9	CFA00024	SETSCREW M10X25 Z/P	2
10	CFA00055	BOLT M8X35 Z/P	1
11	CFA00100	BOLT M8X40 Z/P	10
12	CFA00102	SETSCREW M8X25 Z/P	5
13	CFA00106	BOLT M8X45 Z/P	2
14	CFA00118	GREASE NIPPLE M8X1.25 STRAIGHT	5
15	CFA00123	NUT M10 NYLOC	2
16	CFA00124	NUT M12 NYLOC	2
17	CFA00132	NUT M8 NYLOC Z/P	15
18	CFA00133	NUT M8 Z/P	3
19	CFA00138	WASHER FLAT 12MM Z/P	4
20	CFA00147	WASHER FLAT 8MM Z/P	30
21	CFA00201	WASHER FLAT 10 MM Z/P	7
22	CFA00230	SETSCREW M10X30 Z/P	1
23	CFA00330	BOLT M12X80 Z/P	2
24	CMT00010	MOTOR 80CC 25DIA	1
25	CZB02457	2MM L CHUTE SHIM C4 SERIES	1
26	CZB02458	2MM L CHUTE SHIM C4 SERIES	2
27	CZC03522	3MM L SLIDE EXTENSION OPTION	1
28	CZC03529	3MM L SLIDE EXTENTION C4 SERIES	1
29	CZF03348	6MM L BLOWER SPACER C4 SERIES	1
30	CZF03350	6MM L BLOWER CHASSIS C4 SERIES	1
31	CZF03364	6MM L COVER STOP BRKT C4 SERIES	1
32	CZH03553	10MM L BLOWER SPACER C4 SERIES	1

No.	Part No	Description	Qty
-----	---------	-------------	-----

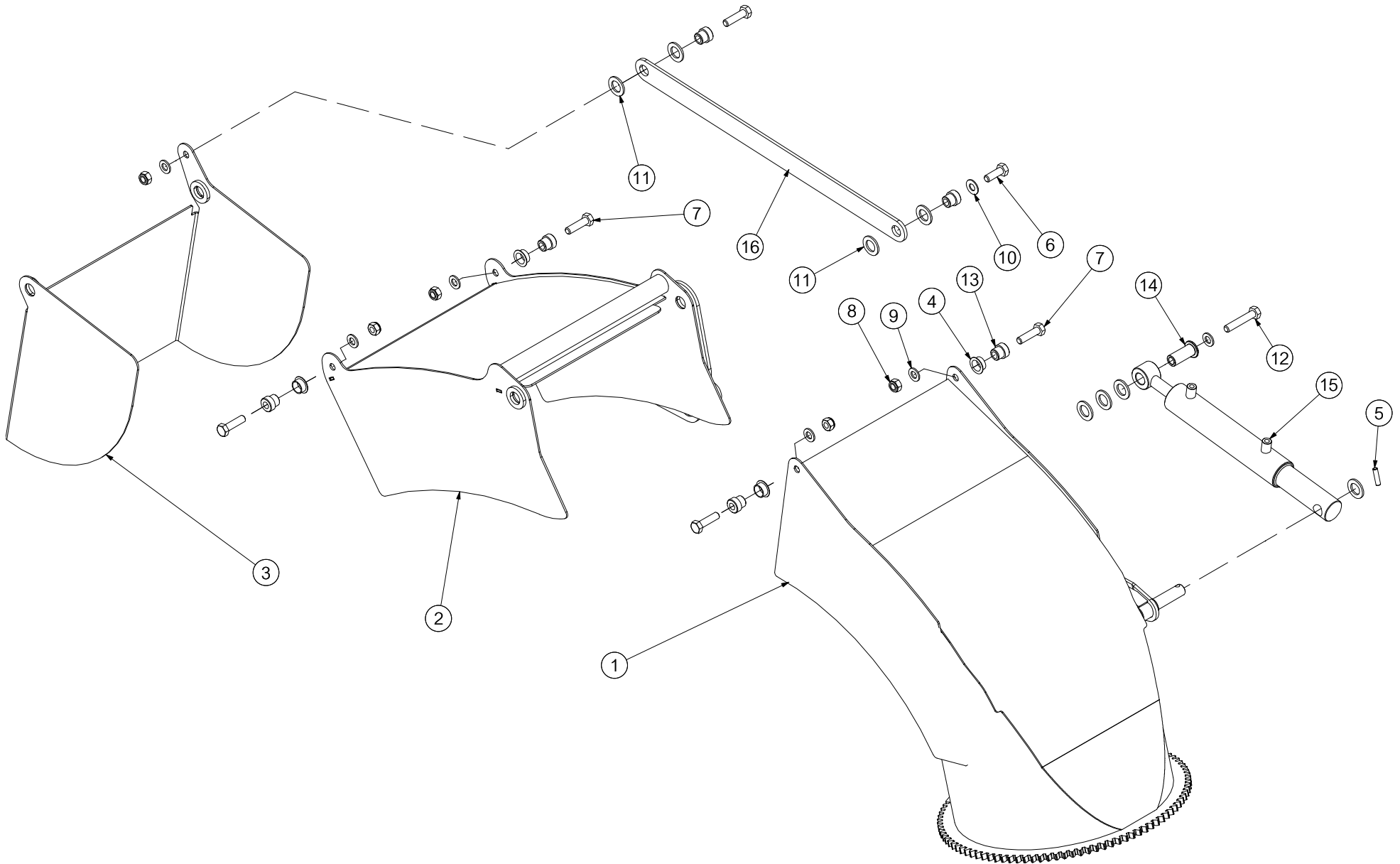
**Chute Assembly (712) Up to Serial No. 850104**



No.	Part No	Description	Qty
1	ABS00037	BALE SHREADER CHUTE BASE	1
2	ABS00038	BALE SHREADER CHUTE STAGE 1	1
3	ABS00039	BALE SHREADER CHUTE STAGE 2	1
4	ABS00062	TOP CHUTE BALE SHREADER	1
5	CBR00293	GFM 2023X11X30 IGUS BEARING	6
6	CFA00019	ROLL PIN 8X30 Z/P	2
7	CFA00033	SETSCREW M12X35 Z/P	1
8	CFA00079	BOLT M12X45	6
9	CFA00124	NUT M12 NYLOC	6
10	CFA00138	WASHER FLAT 12MM Z/P	7
11	CFA00250	WASHER SKM12	1
12	CFA00413	WASHER FLAT 20MM Z/P	7
13	CFA00579	BOLT M12X65 ZP	1
14	CMH00936	BUSH 12X25 STEPPED 20	7
15	CMH01421	BUSH 20X12.5X50 STEPPED Z/P	1
16	CRA00267	RAM 430-515 STROKE BALE SHREADER	1
17	CZC03384	3MM L BALE SHEADER SHOOT BASE	2
18	CZF03356	6MM L SHOOT LINK BAR BALE SHREADER	1
19	CZH02697	10MM L SHOOT LINK C4 SERIES	1

No.	Part No	Description	Qty
-----	---------	-------------	-----

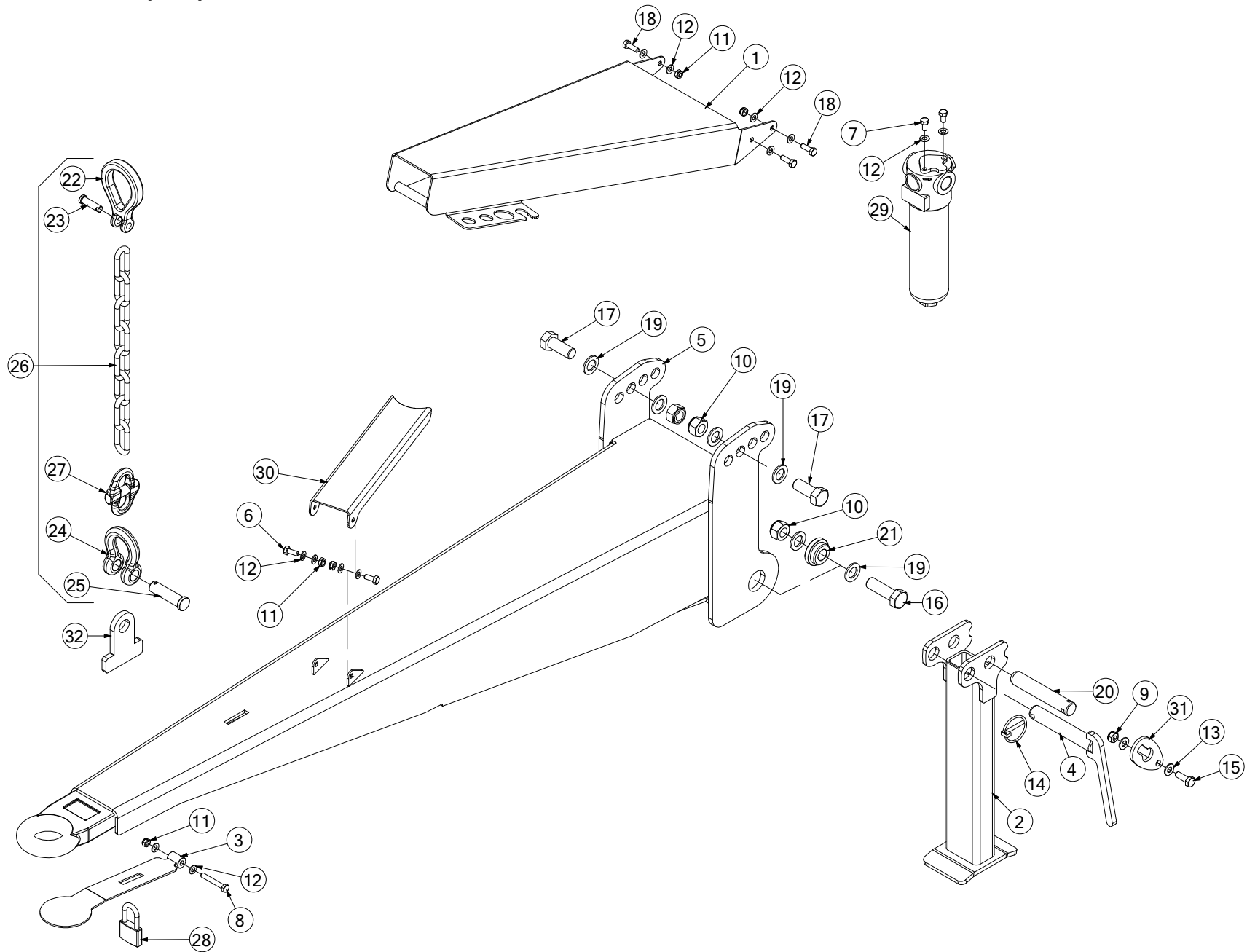
**Chute assembly (796) From Serial No. 850105**



No.	Part No	Description	Qty
0	ABS00106	CHUTE COMPLETE C4 SERIES	1
<i>COMPLETE ASSEMBLY - INCLUDES ALL ITEMS EXCEPT ITEM 15 HYDRAULIC-RAM (CRA00267)</i>			
1	ABS00107	CHUTE BASE WELD ASSY C4 SERIES	1
2	ABS00108	ASSEMBLY CHUTE STAGE2 C4 SERIES	1
3	ABS00109	ASSEMBLY CHUTE STAGE3 C4 SERIES	1
4	CBR00293	GFM 2023X11X30 IGUS BEARING	4
5	CFA00019	ROLL PIN 8X30 Z/P	1
6	CFA00033	SETSCREW M12X35 Z/P	1
7	CFA00079	BOLT M12X45	5
8	CFA00124	NUT M12 NYLOC	5
9	CFA00138	WASHER FLAT 12MM Z/P	6
10	CFA00250	WASHER SKM12	1
11	CFA00413	WASHER FLAT 20MM Z/P	8
12	CFA00579	BOLT M12X65 ZP	1
13	CMH00261	BEARING HOLDER CONCENTRIC Z/P	6
14	CMH01421	BUSH 20X12.5X50 STEPPED Z/P	1
15	CRA00267	RAM 430-515 STROKE BALE SHREADER	1
<i>THIS ITEM IS NOT INCLUDED IN OVERALL ASSEMBLY &amp; MUST BE PURCHASED SEPARATELY</i>			
16	CZF03432	6MM L CHUTE LINK C4 SERIES	1

No.	Part No	Description	Qty
-----	---------	-------------	-----

# Drawbar & stand (724)

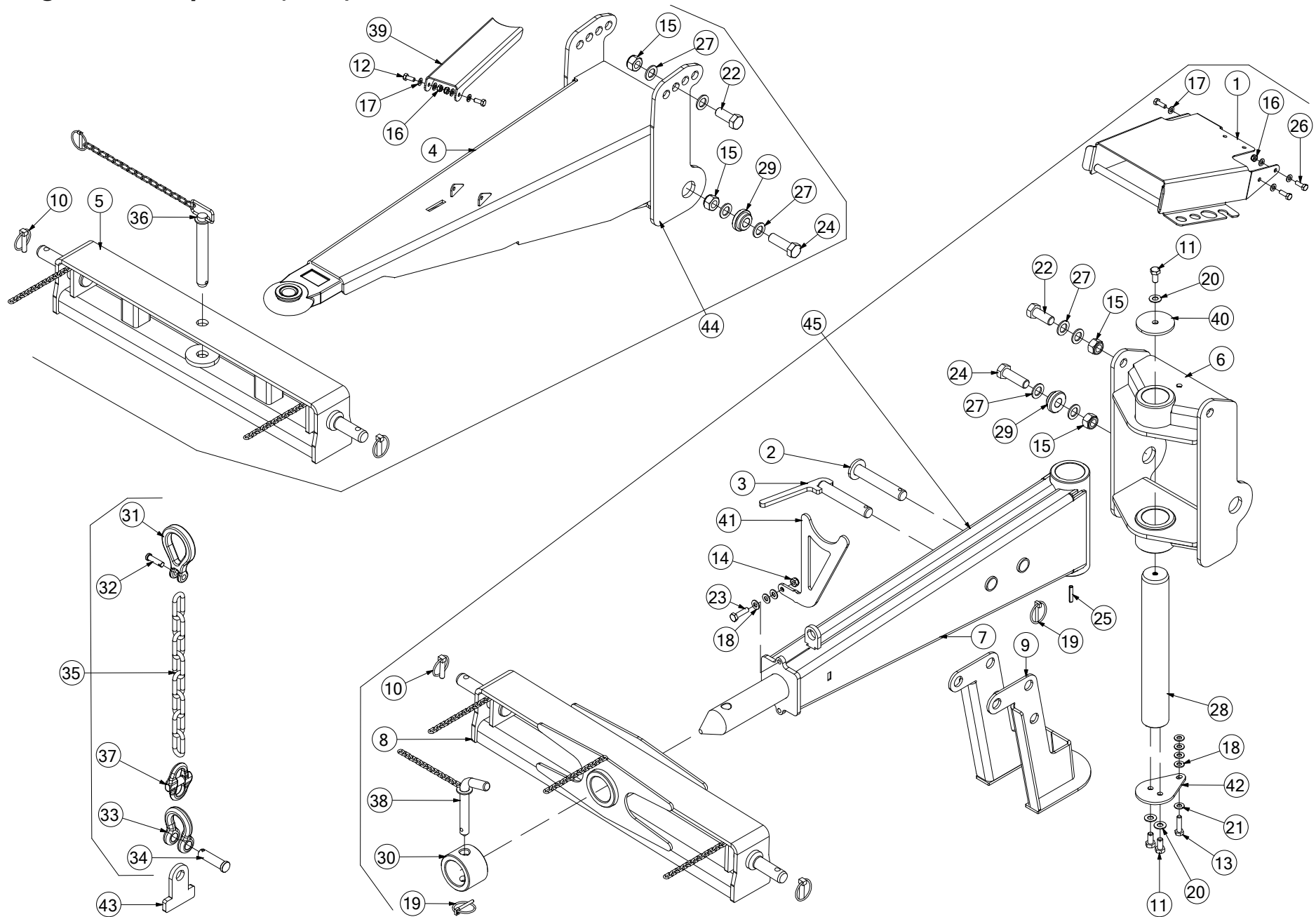




No.	Part No	Description	Qty
1	ABS00070	HOSE HOLDER BALE SHREADER	1
2	ABS00076	DRAWBAR STAND C4 SERIES	1
3	ABS00271	C4 SERIES DRAWBAR LOCK	1
4	ADB00010	STAND LOCKING PIN 998	1
5	ADB00135	DRAWBAR BALE SHREADER	1
5	ADP00193	SHORT CLEVIS DRAWBAR OPTION C4 SERIES	1
<i>CLEVIS OPTION FOR NORTH AMERICAN MARKET ONLY</i>			
6	CFA00052	SETSCREW M8X20 Z/P	2
7	CFA00101	SETSCREW M8X16 Z/P	2
8	CFA00108	BOLT M8X55 Z/P	1
9	CFA00123	NUT M10 NYLOC	1
10	CFA00129	NUT M20 NYLOC	4
11	CFA00132	NUT M8 NYLOC Z/P	7
12	CFA00147	WASHER FLAT 8MM Z/P	16
13	CFA00201	WASHER FLAT 10 MM Z/P	2
14	CFA00202	LINCH PIN 6MM	1
15	CFA00230	SETSCREW M10X30 Z/P GRADE 12.9	1
16	CFA00346	BOLT M20X65 Z/P	2
17	CFA00381	BOLT M20X50X10.9 Z/P	2
18	CFA00407	BOLT M8X25 Z/P	4
19	CFA00413	WASHER FLAT 20MM Z/P	8
20	CMH00675	PIN 25 X 140 MILLED FOR CAP Z/P	1
21	CMH01359	BUSH 50X20X20 STEPPED DRAWBAR	2
22	CMH02217	HITCHING RING 991B	1
23	CMH02218	PIN 45X11.5	1
24	CMH02219	D-SHACKLE 18MM	1
25	CMH02220	PIN 20X78	1
26	CTP00042	CHAIN - SAFETY	1
<i>EURO MARKETS ONLY</i>			
27	CTP00369	CHAIN LINK SAFETY CHAIN	1
28	CTP00582	PADLOCK 8MM SKACLE	1
29	CVA00688	FILTER UNIT OIL HIGH PRESSURE	1
29	CVA00316	FILTER ELEMENT FOR CVA00315 & CVA00688	1
<i>FILTER ELEMENT FOR CVA00315 &amp; CVA00688</i>			
30	CZC03391	3MM L PTO STAND C460	1
31	CZF00292	6MM L CAP LONG FOR 25MM PINS	1
32	CZH06330	10MM L BREAKAWAY CHAIN C4 SERIES	1

No.	Part No	Description	Qty
-----	---------	-------------	-----

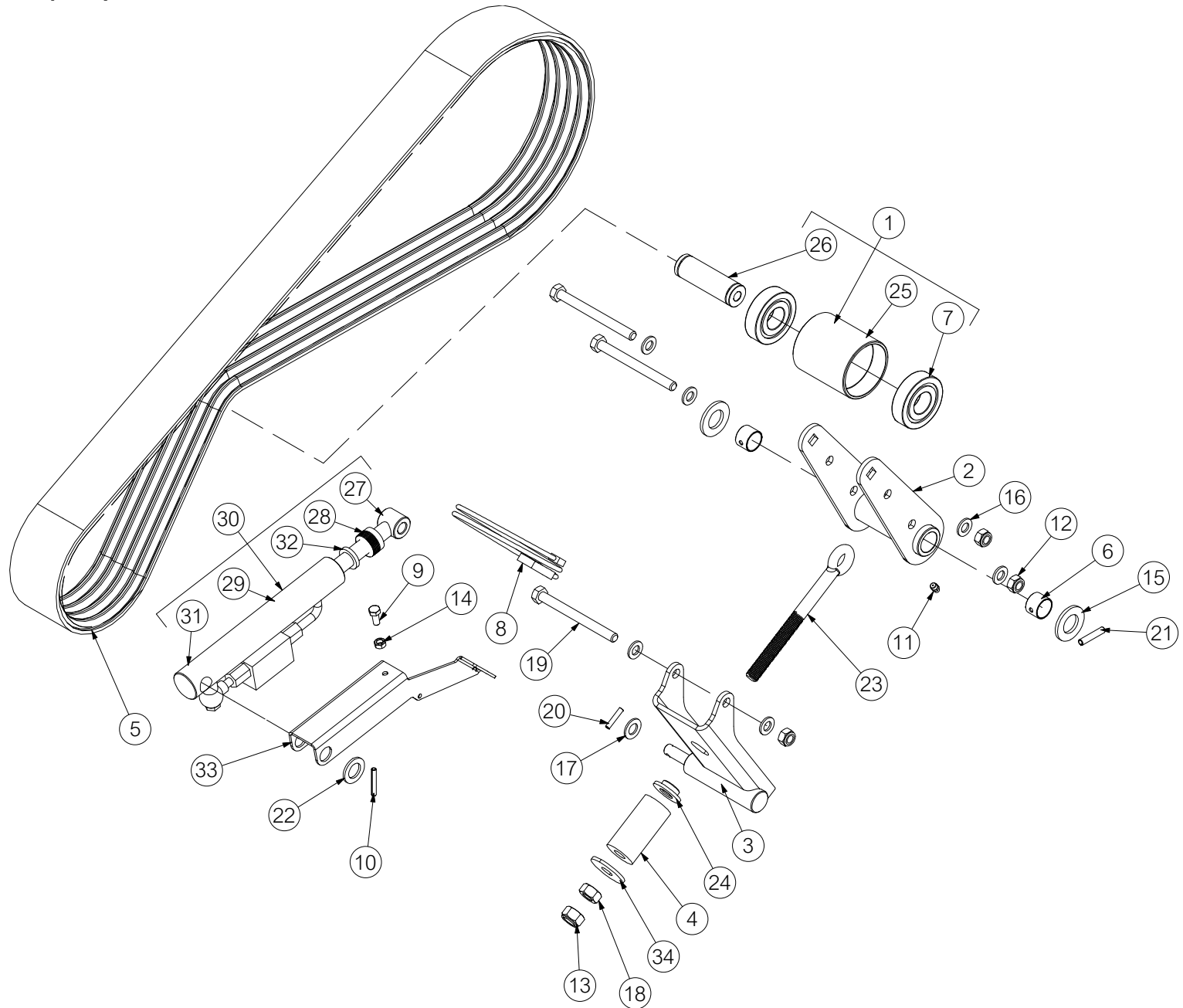
# Swing drawbar options (1072)



No.	Part No	Description	Qty
1	ABS00275	HOSE HOLDER RBW00341 C4 SERIES	1
2	ADB00009	STAND PIVOT PIN 998	1
3	ADB00010	STAND LOCKING PIN 998	1
4	ADB00160	SHORT DRAWBAR OPTION C4 SERIES	1
5	ADB00161	LINKAGE BAR OPTION C4 SERIES	1
6	ADB00164	DRAWBAR CHASSIS PIVOT C4 SERIES	1
7	ADB00165	DRAWBAR CHASSIS PIVOT C4 SERIES	1
8	ADB00166	DRAWBAR CHASSIS PIVOT	1
9	ADB00167	DRAWBAR CHASSIS PIVOT C4 SERIES	1
10	CFA00005	LINCH PIN 10MM	4
11	CFA00031	SETSCREW M12X25 Z/P	3
12	CFA00052	SETSCREW M8X20 Z/P	2
13	CFA00071	BOLT M10X40	1
14	CFA00123	NUT M10 NYLOC	1
15	CFA00129	NUT M20 NYLOC	4
16	CFA00132	NUT M8 NYLOC Z/P	6
17	CFA00147	WASHER FLAT 8MM Z/P	12
18	CFA00201	WASHER FLAT 10 MM Z/P	8
19	CFA00202	LINCH PIN 6MM	2
20	CFA00250	WASHER SKM12	3
21	CFA00251	WASHER SKM10	1
22	CFA00278	BOLT M20X50 Z/P	2
23	CFA00312	SETSCREW M10X40 Z/P	1
24	CFA00346	BOLT M20X65 Z/P	2
25	CFA00380	ROLL PIN 8X40 Z/P	1
26	CFA00407	BOLT M8X25 Z/P	4
27	CFA00413	WASHER FLAT 20MM Z/P	9
28	CMH00067	PIN 60X398&3XM12 THREADS	1
29	CMH01359	BUSH 50X20X20 STEPPED DRAWBAR	2
30	CMH01506	BUSH 88.9X14X60 CHASSIS PIVOT	1
31	CMH02217	HITCHING RING 991B	1
32	CMH02218	PIN 45X11.5	1
33	CMH02219	D-SHACKLE 18MM	1
34	CMH02220	PIN 20X78	1
35	CTP00042	CHAIN - SAFETY	1
<i>EURO MARKETS ONLY</i>			
36	CTP00265	PIN HITCH 1" BALER DRAWBAR	1
37	CTP00369	CHAIN LINK SAFETY CHAIN	1
38	CXR00209	20MM PIN CHASSIS PIVOT C4 SERIES	1
39	CZC03391	3MM L PTO STAND C460	1
40	CZF02105	6MM L WASHER 85 X 6 X 12.5	1
41	CZF03463	6MM L CHASSIS PIVOT C4 SERIES	1
42	CZF03464	6MM L CHASSIS PIVOT C4 SERIES	1
43	CZH06330	10MM L BREAKAWAY CHAIN C4 SERIES	1
44	ADB00215	LINKAGE DRAWBAR C4 SERIES	1
<i>COMPLETE ASSEMBLY</i>			
45	ADB00214	DRAWBAR CHASSIS PIVOT C4 SERIES	1
<i>COMPLETE ASSEMBLY</i>			

No.	Part No	Description	Qty
-----	---------	-------------	-----

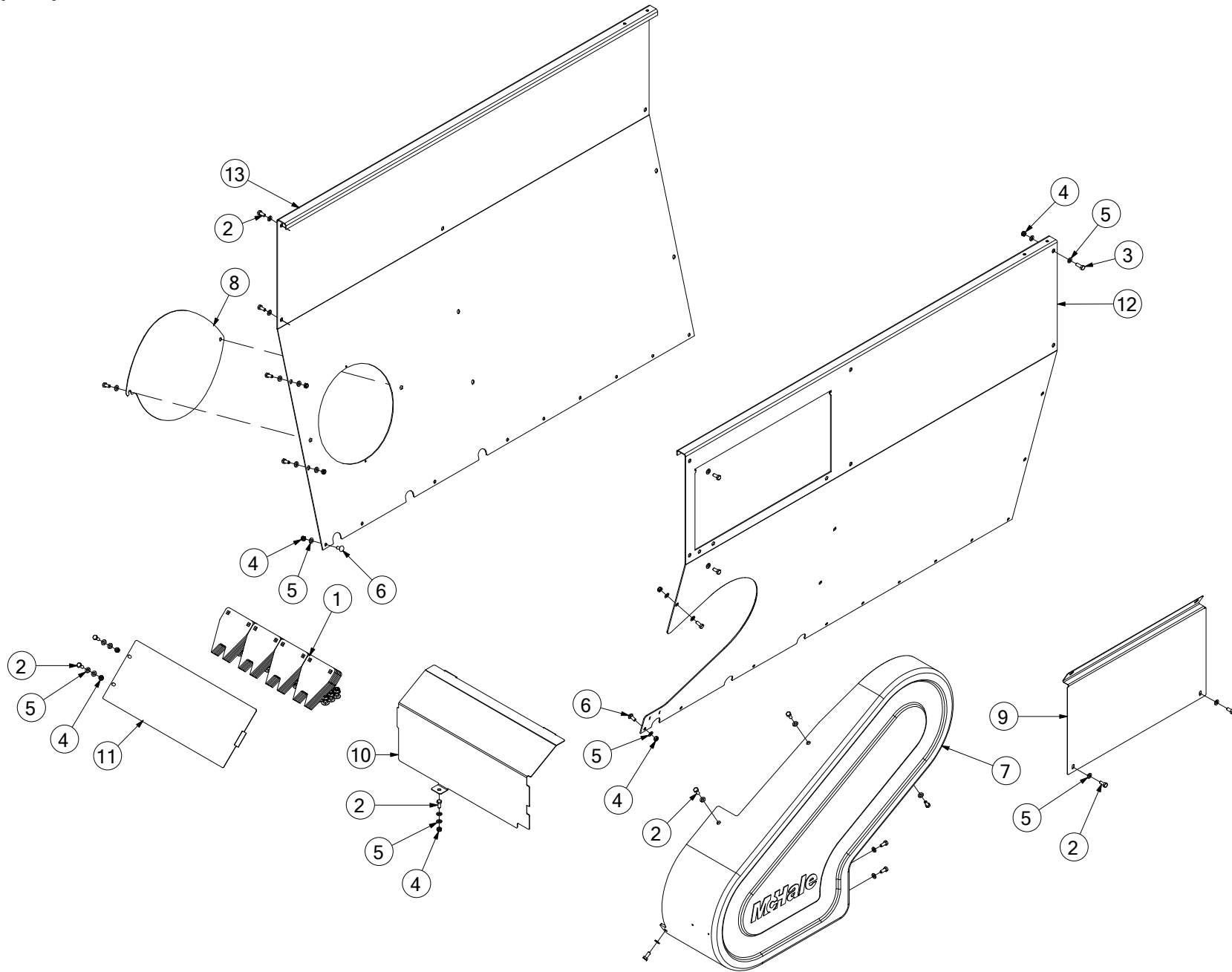
**Belt tensioner (723)**



No.	Part No	Description	Qty
1	ABS00053	BELT TENSIONER PULLEY BALE SHREDDER	1
2	ABS00054	BELT TENSIONER PULLEY ARM	1
3	ABS00056	BELT TENSIONER RAM BALE SHREDDER	1
4	CBE00174	RUBBER SPRING 16X40X80	1
5	CBE00211	4 POLY V BELT BALE SHREDDER	1
6	CBR00040	BEARING GLACIER PM 25 X 20	2
7	CBR00052	BEARING 6306	2
8	CEL00355	SENSOR RECTANGULAR PNP 8MM S/N	1
9	CFA00052	SETSCREW M8X20 Z/P	1
10	CFA00073	ROLL PIN 6X40	1
11	CFA00118	GREASE NIPPLE M8X1.25 STRAIGHT	1
12	CFA00124	NUT M12 NYLOC	3
13	CFA00128	NUT M16 NYLOC	1
14	CFA00133	NUT M8 Z/P	1
15	CFA00135	WASHER FLAT 1" Z/P	2
16	CFA00138	WASHER FLAT 12MM Z/P	6
17	CFA00222	WASHER FLAT 14MM Z/P	1
18	CFA00231	NUT M16 Z/P	1
19	CFA00313	BOLT M12X130 Z/P	3
20	CFA00345	ROLL PIN 6X30 Z/P	1
21	CFA00380	ROLL PIN 8X40 Z/P	1
22	CFA00413	WASHER FLAT 20MM Z/P	1
23	CFA00898	M16X200 EYE BOLT	1
24	CMH00464	BUSH 45X17X10 STEPPED 25 Z/P	1
	<i>REPLACES CMH01109</i>		
25	CMH01337	PULLEY 80X70X70 STEPPED	1
26	CMH01338	PIN 30X16.5X86 BALE SHREDDER	1
26a	CFA00402	CIRCLIP 30MM EXTERNAL ZP	2
27	CRA00195	PISTON ROD FOR CRA00185	1
28	CRA00215	SEAL GLAND FOR CRA00185 TOP	1
29	CRA00216	SEAL GLAND FOR CRA00185 BOTTOM	1
30	CRA00277	RAM 32X20 STROKE 85MM CHECK	1
31	CRA00278	RAM TUBE BELT TENSIONER C4 SERIES	1
32	CSE00124	SEAL KIT FOR RAM CRA00185	1
33	CZC03500	3MM L LIMIT SWITCH BRKT C4 SERIES	1
34	CZD04321	4MM L WASHER 16X55X4 Z/P	2

No.	Part No	Description	Qty
-----	---------	-------------	-----

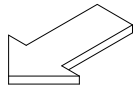
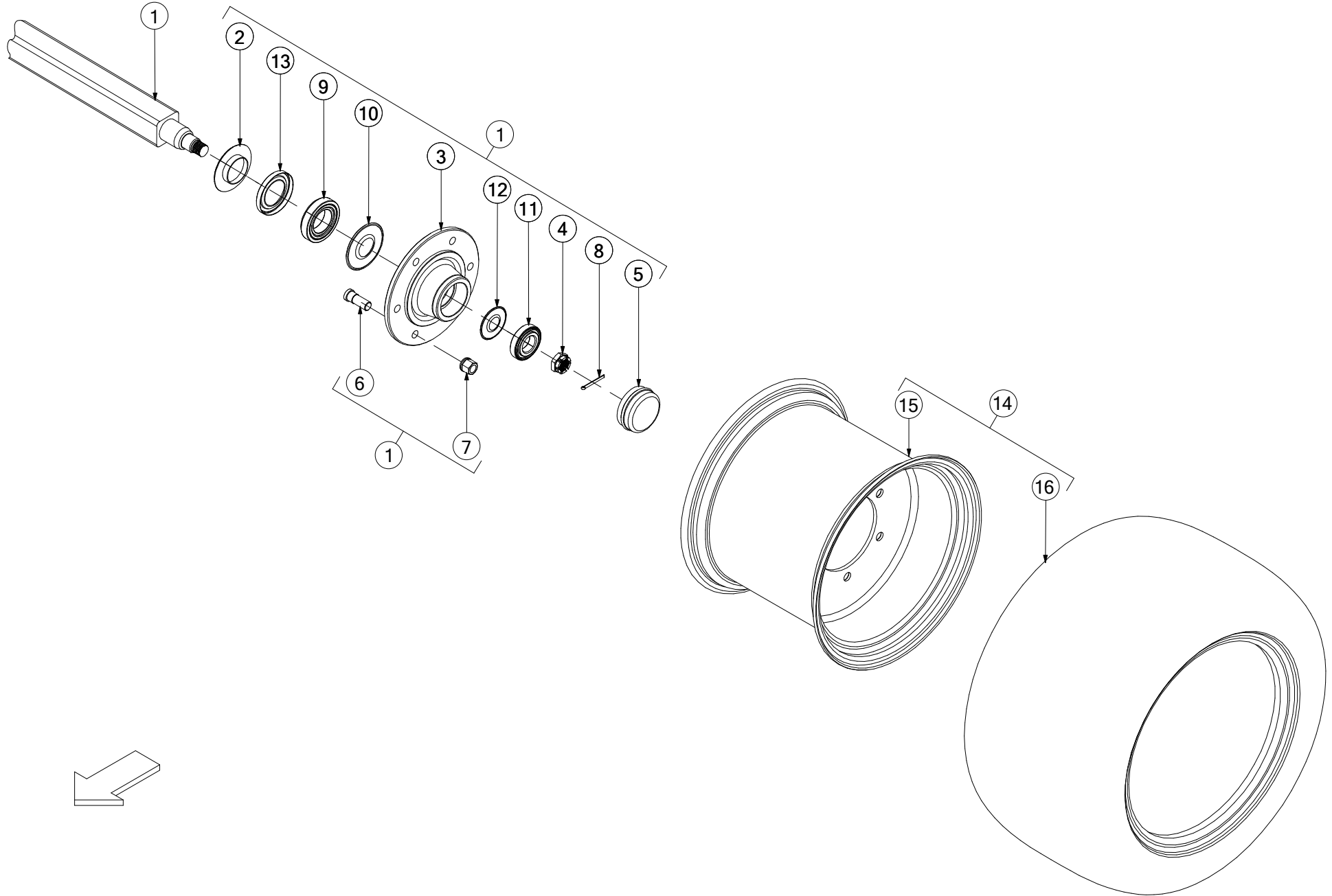
**Panels (726)**



No.	Part No	Description	Qty
1	ABS00101	STRAW KIT FOR THE C4 SERIES.	1
2	CFA00052	SETSCREW M8X20 Z/P	36
3	CFA00102	SETSCREW M8X25 Z/P	12
4	CFA00132	NUT M8 NYLOC Z/P	40
5	CFA00147	WASHER FLAT 8MM Z/P	88
6	CFA00506	SETSCREW M8X20 CUPHEAD SQ ZP	6
7	CPL00149	BELT COVER C4 SERIES	1
8	CZB02209	1.5MM L GUARD PART ST BALER	1
9	CZB02407	1.5MM L VALVE COVER C4 SERIES	1
10	CZB02408	1.5MM L CROSS SHAFT COVER C4 SERIES	1
11	CZB02573	1.5MM L COVER FRONT BEAM C4 SERIES	1
12	CZC03363	3MM L C4 SERIES LEFT SIDE	1
13	CZC03364	3MM L BALE SHREADER RIGHT SIDE	1

No.	Part No	Description	Qty
-----	---------	-------------	-----

# Axle & Wheels (713)

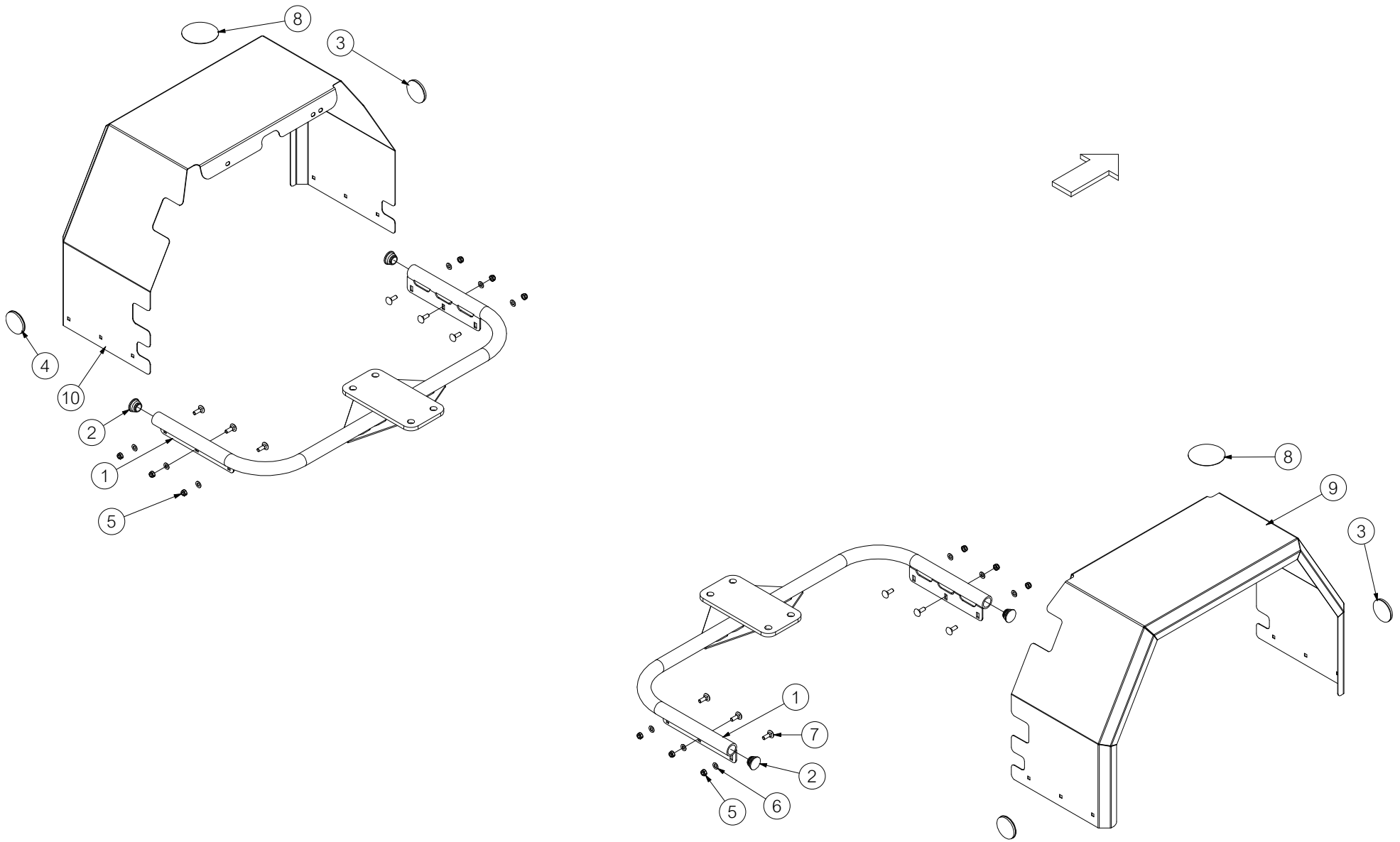




No.	Part No	Description	Qty
1	CAX00135	AXLE 60MM 6STUD 1740MM	1
<i>STANDARD AXLE (INCLUDES ITEMS 2 THROUGH 13)</i>			
1	CAX00002	AXLE 60MM 6 STUD 1900MM	1
<i>WIDE WHEEL OPTION (INCLUDES ITEMS 2 THROUGH 13)</i>			
2	CAX00227	RING SHOULDER FAD (CAX00135)	2
3	CAX00009	HUB 6STUD 991	2
4	CAX00010	NUT CASTLE 6STUD 991	2
5	CAX00011	HUB CAP 6STUD 991	2
6	CFA00235	WHEEL STUD M10X1.5(FAD)	12
7	CFA00121	NUT WHEEL M18 6STUD AXLE	12
8	CFA00013	SPLIT PIN <50Z/P	2
9	CBR00028	BEARING 30210	2
10	CBR00306	NILOS SEAL FOR BEARING 30210	2
11	CBR00027	BEARING 30207	2
12	CBR00307	NILOS SEAL FOR BEARING 30207	2
13	CSE00844	SEAL RADIAL SHAFT FAD 58X90X10	2
14	CWH00011	WHEEL ASSEMBLY 10.0/75-15.3VRED 6-STUD	2
<i>STANDARD AXLE WHEEL - USED ONLY WITH STANDARD AXLE CAX00135</i>			
15	CWH00082	RIM 10.0/75-15.3VRED 6-STUD	2
<i>STANDARD AXLE RIM</i>			
16	CWH00081	TYRE 10.0/75-15.3VRED 6-STUD	2
<i>STANDARD AXLE TYRE</i>			
0	0	0	0
14	CWH00022	WHEEL ASY 340/55-16 FLOTATION+	2
<i>WIDE WHEEL ASM OPTION - USED ONLY WITH WIDE WHEEL AXLE CAX00002</i>			
15	CWH00048	WHEEL RIM 16X11 SIX STUD	2
<i>WIDE WHEEL RIM OPTION FOR CWH00022</i>			
16	CWH00047	TYRE 340/55-16 FLOTATION+	2
<i>WIDE WHEEL TYRE OPTION FOR CWH00022</i>			
0	0	0	0
14	CWH00268	WHEEL ASM 380/55-17 VREDESTEIN FLO+	2
<i>WIDE WHEEL ASM OPTION - USED ONLY WITH WIDE WHEEL AXLE CAX00002</i>			
15	CWH00269	WHEEL RIM 13.00X17 6 STUD 0 OFFSET	2
<i>WIDE WHEEL RIM OPTION FOR CWH00268</i>			
16	CWH00062	TYRE 380/55 R17 VREDESTEIN	2
<i>WIDE WHEEL TYRE OPTION FOR CWH00268</i>			
0	0	0	0
14	CWH00270	WHEEL 480/45-17 FLO+ 6STUD -35 OFFSET	2
<i>WIDE WHEEL ASM OPTION - USED ONLY WITH WIDE WHEEL AXLE CAX00002</i>			
15	CWH00297	WHEEL RIM 16.00X17 OFFSET -35MM	2
<i>WIDE WHEEL RIM OPTION FOR CWH00270</i>			
16	CWH00298	TYRE 480/45-17 FLO+ VREDESTEIN	2
<i>WIDE WHEEL TYRE OPTION FOR CWH00270</i>			

No.	Part No	Description	Qty
-----	---------	-------------	-----

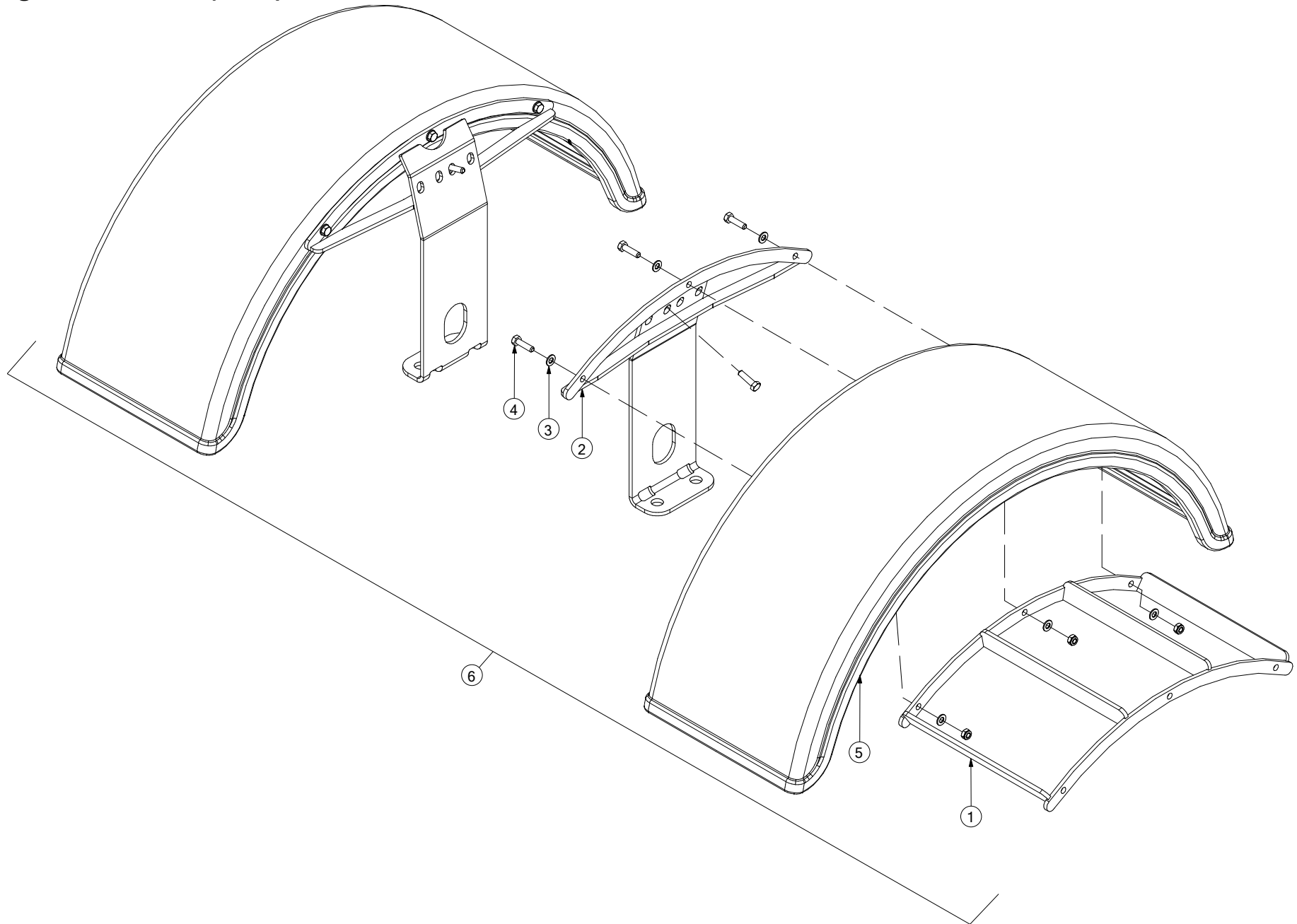
# Mudguards Steel (972)



No.	Part No	Description	Qty
1	ABS00223	MUDGUARD BRACKET C460	2
2	CBC00010	CAP PLASTIC INSERT 1"	4
3	CEL00351	60MM WHITE REFLECTOR 07.040.000	2
4	CEL00366	60MM RED REFLECTOR 07.038.000	2
5	CFA00132	NUT M8 NYLOC Z/P	12
6	CFA00147	WASHER FLAT 8MM Z/P	12
7	CFA00591	BOLT M8X25 CUP SQ Z/P	12
8	CST00803	DO NOT STAND DECAL	2
9	CZB02558	1.5MM L RIGHT MUDGUARD C460 <i>USED WITH STANDARD WHEEL (10.0/75-15.3) &amp; (260/70-15.3)</i>	1
9	CZB02555	1.5MM L RIGHT MUDGUARD C460 <i>USED WITH WIDE WHEEL OPTION (340/55-16) ONLY</i>	1
10	CZB02559	1.5MM L LEFT MUDGUARD C460 <i>USED WITH STANDARD WHEEL (10.0/75-15.3) &amp; (260/70-15.3)</i>	1
10	CZB02554	1.5MM L LEFT MUDGUARD C460 <i>USED WITH WIDE WHEEL OPTION (340/55-16) ONLY</i>	1

No.	Part No	Description	Qty
-----	---------	-------------	-----

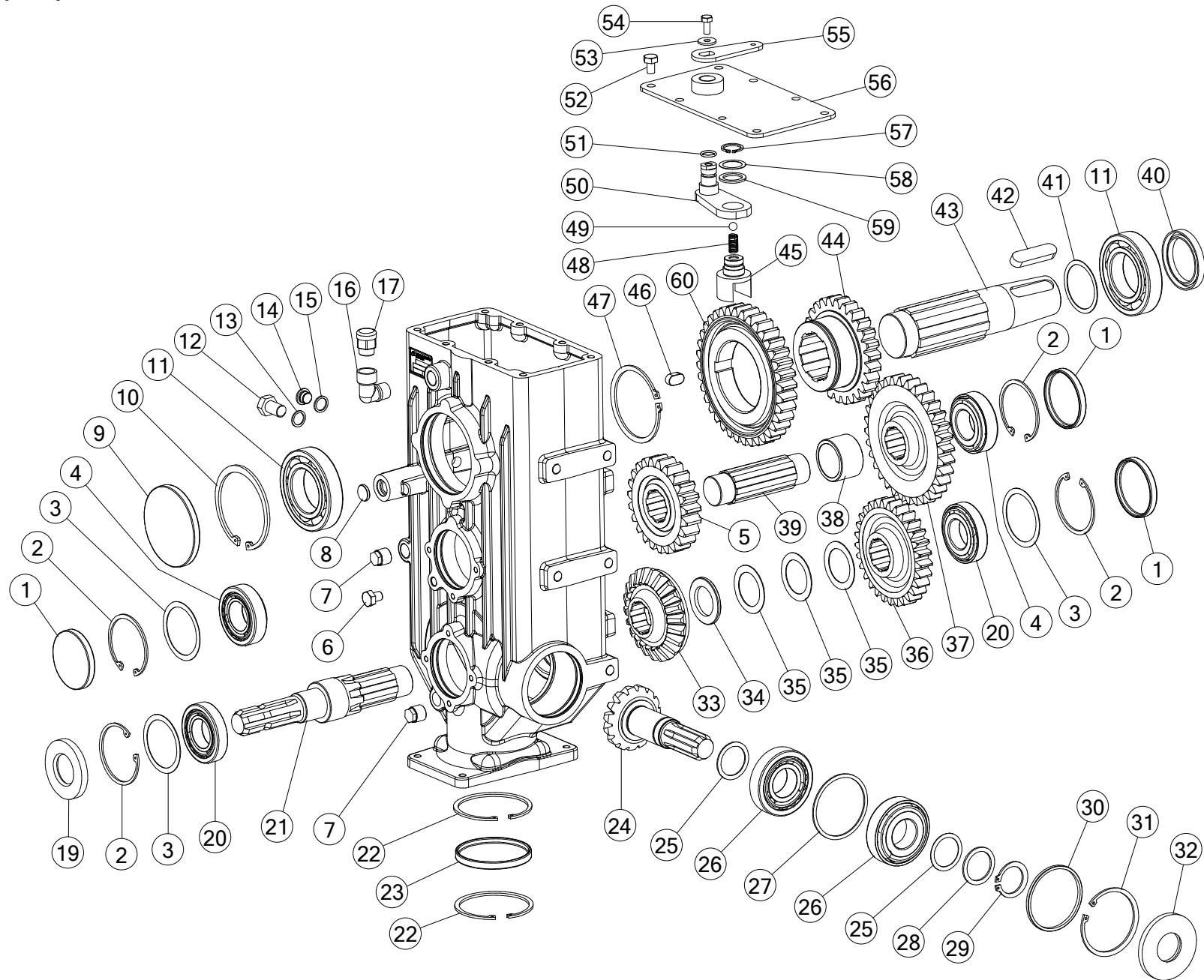
**Mudguards Plastic (1137)**



No.	Part No	Description	Qty
Item	Part Code	Description	Qty
1	ABS00289	C4 SERIES MUD GUARD BRKT	2
2	ABS00290	C4 MUD GUARD BRKT NARROW WHEEL <i>USED WITH STANDARD WHEEL (10.0/75-15.3) &amp; (260/70-15.3)</i>	2
2	ABS00291	C4 SERIES MUD GUARD BRKT WIDE WHEEL <i>USED WITH WIDE WHEEL OPTION (340/55-16) ONLY</i>	2
3	CFA00147	WASHER FLAT 8MM Z/P	12
4	CFA00491	SETSCREW M8X30 Z/P	8
5	CPL00280	MUDGUARD C4 SERIES	2
6	KST00154	C4 SERIES MUDGUARD KIT NARROW <i>USED WITH STANDARD WHEEL (10.0/75-15.3) &amp; (260/70-15.3)</i>	1
6	KST00155	C4 SERIES MUDGUARD KIT WIDE <i>USED WITH WIDE WHEEL OPTION (340/55-16) ONLY</i>	1

No.	Part No	Description	Qty
-----	---------	-------------	-----

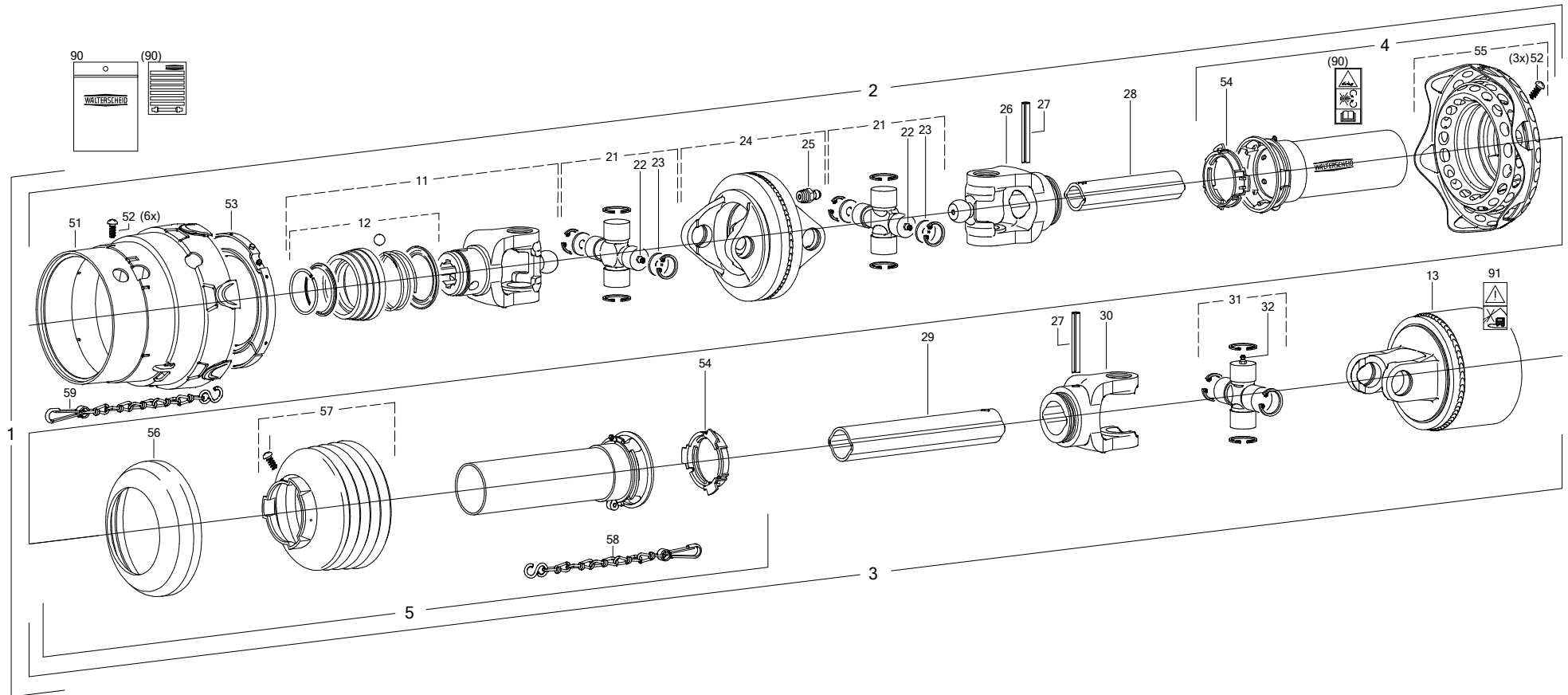
# Gearbox (728)



No.	Part No	Description	Qty
0	CMT00208	GEARBOX BALE SHREDDER	1
<i>COMPLETE ASSEMBLY (INCLUDES ITEMS 1 THROUGH 60)</i>			
1	CSE00629	CAP SEAL CORE PLUG 80X10	3
2	CFA00882	CIRCLIP 80MM INTERNAL	4
3	CFA01060	SHIM 65.3X79.7 FOR CMT00208	3
4	CBR00321	BEARING TAPER ROLLER 32208 40X80X25	2
5	CMH01664	GEAR Z23 M5 FOR CMT00208	1
6	CFA01061	BOLT FOR CMT00208	1
7	CHY02992	PLUG BLANKING 1/2 GAS FOR CMT00208	2
8	CSE00630	CAP SEAL CORE PLUG 22X4	1
9	CSE00631	CAP SEAL CORE PLUG 110X10	1
10	CFA00652	CIRCLIP 110 INTERNAL DIN 472	1
11	CBR00048	BALL BEARING 6212	2
<i>REMOVE SEALS</i>			
12	CFA00325	SETSCREW M16X25 ZP	1
13	CFA00140	WASHER FLAT 16MM Z/P	1
14	CHY02993	PLUG BLANKING 3/8 GAS FOR CMT00208	1
15	CFA01062	WASHER SPRING 17X22X2 FOR CMT00208	1
16	CHY02994	ELBOW 90° 1/2 GAS FOR CMT00208	1
17	CHY02995	PLUG OIL FILLER 1/2 GAS FOR CMT00208	1
19	CSE00633	OIL SEAL RADIAL 40X80X10	1
20	CBR00115	BEARING TAPER 30208A 40X80X20	2
21	CMH01665	PTO SHAFT 1 3/8 Z6 FOR CMT00208	1
22	CFA01063	CIRCLIP 100MM INTERNAL DIN472	2
23	CSE00632	CAP SEAL CORE PLUG 100X10	1
24	CMH01666	PINION SHAFT Z15 M5.7 1.46 FOR CMT00208	1
25	CFA01064	SHIM KIT 40.3X51.5 FOR CMT00208	2
26	CBR00322	BEARING TAPER ROLLER 30308 40X90X25	2
27	CFA01065	SHIM 89.7X2 FOR CMT00208	1
28	CFA01066	SHIM 40.3X2.5 FOR CMT00208	1
29	CFA00551	CIRCLIP 40MM EXTERNAL	1
30	CMH01667	SPACER 82X89.6X5 FOR CMT00208	1
31	CFA00903	CIRCLIP 90MM INTERNAL DIN472	1
32	CSE00634	OIL SEAL RADIAL 40X90X8/7	1
33	CMH01668	CROWN WHEEL Z22 M5.7 1.46 FOR CMT00208	1
34	CMH01669	SPACER 40.5X63.5X5 FOR CMT00208	1
35	CFA01067	SHIM 46.3X1.0 FOR CMT00208	3
36	CMH01670	GEAR Z26 M5 FOR CMT00208	1
37	CMH01671	GEAR Z32 M5 FOR CMT00208	1
38	CMH01672	SPACER FOR CMT00208	1
39	CMH01673	SHAFT FOR CMT00208	1
40	CSE00011	SEAL OIL 80-60-10 UNI-MAX 50N	1
41	CFA01068	SHIM 71.7X1.0 FOR CMT00208	1
42	CFA00150	KEY 18X11X70	1
43	CMH01674	SHAFT 8.62X68 FOR CMT00208	1
44	CMH01675	GEAR Z26 M5 FOR CMT00208	1
45	CMH01676	GEAR CHANGE PLATE FOR CMT00208	1
46	CFA01069	KEY 14X9X25 R7	1
47	CFA00877	CIRCLIP 95MM EXTERNAL DIN471	1

No.	Part No	Description	Qty
48	CSG00302	SPRING COMPRESSION FOR CMT00208	1
49	CFA01070	BALL 7/16 11.1MM	1
50	CMH01677	LEVER PIVOT FOR CMT00208	1
51	CSE00635	SEAL O RING OR-3062	1
52	CFA00022	SETSCREW M10X16 Z/P	8
53	CFA01071	WASHER FLAT 8.5X24X2.5 Z/P	1
54	CFA00052	SETSCREW M8X20 ZP	1
55	CZF03395	6MM L GEARBOX SELECTOR LEVER C4 SERIES	1
56	CMH01678	PLATE COVER FOR CMT00208	1
57	CFA00001	CIRCLIP 25MM EXTERNAL ZP	1
58	CFA01072	SHIM 35.3 FOR CMT00208	1
59	CFA01073	SHIM 25.6X2.5 FOR CMT00208	1
60	CMH01679	GEAR Z36 M5 FOR CMT00208	1

# PTO shaft [WWE2480] (1048)

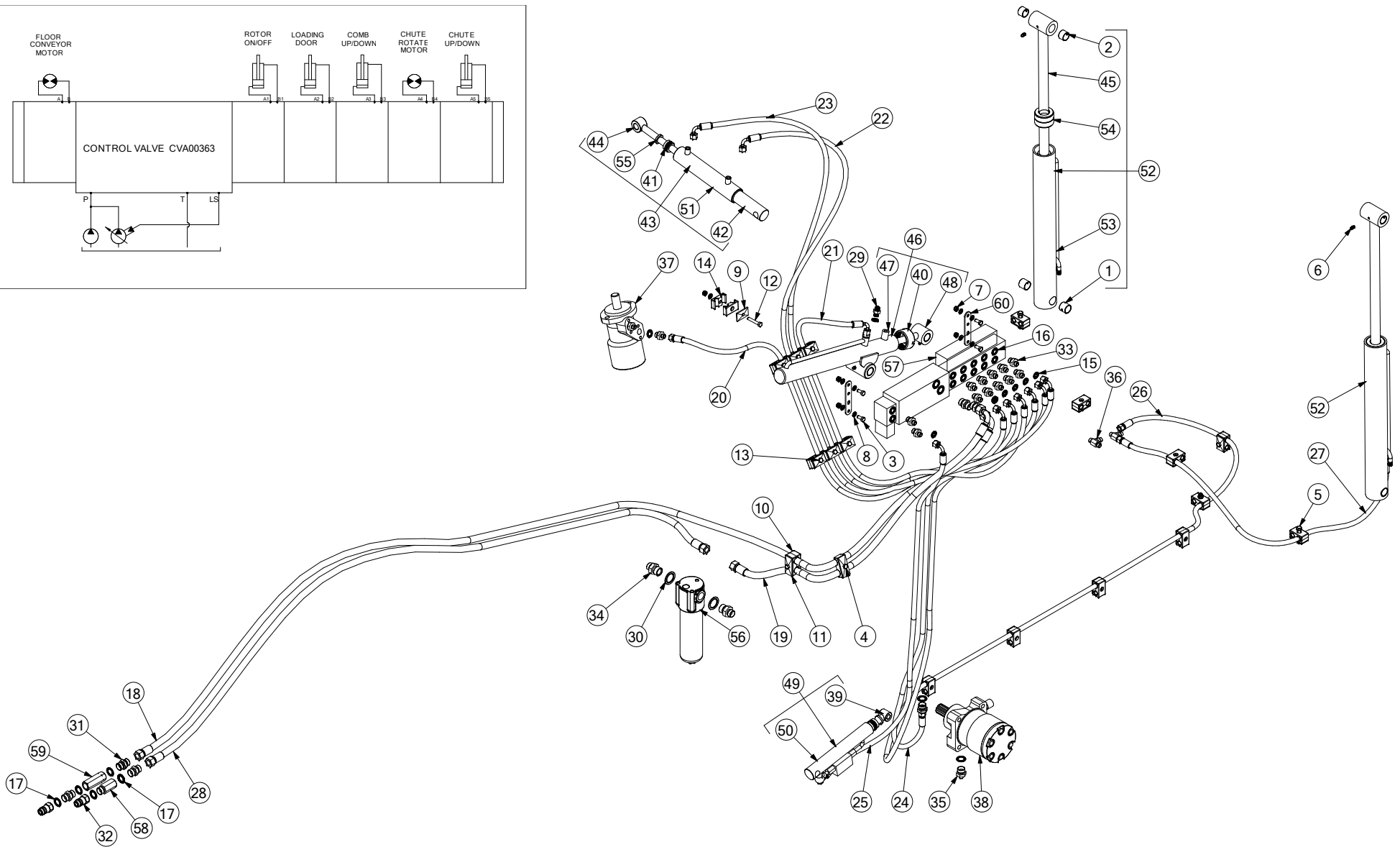
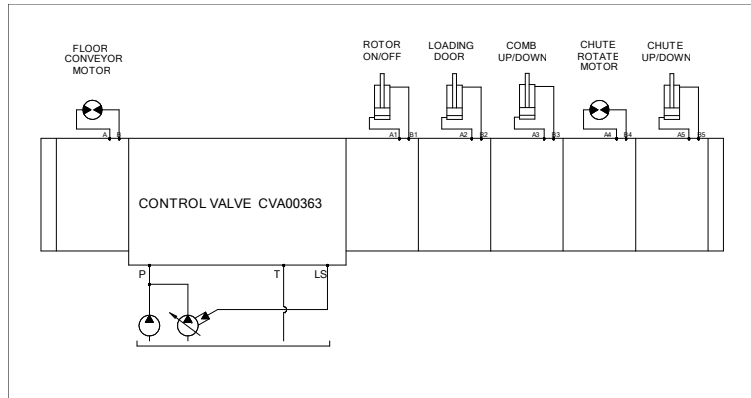




No.	Part No	Description	Qty
1	CMT00250	PTO SHAFT 1210MM C4 TRAILED	1
2	CMT00251	PTO SHAFT C4 SERIES TRACTOR END	1
3	CMT00249	PTO SHAFT C4 SERIES MACHINE END	1
4	CMT00257	PTO GUARD COMPLETE ASM CMT00062-165-250	1
<i>COMPLETE SLEEVE ASM (INCLUDES TRACTOR HALF &amp; MACHINE HALF)</i>			
5	CMT00257	PTO GUARD COMPLETE ASM CMT00062-165-250	1
<i>COMPLETE SLEEVE ASM (INCLUDES TRACTOR HALF &amp; MACHINE HALF)</i>			
11	CMT00081	YOKE QUICK DISCONNECT 1 3/4" 6 SPLINE	1
11	CMT00186	YOKE END 1 3/4" 20 SPLINE OPTION	1
12	CMT00174	KIT QUICK RELEASE DRV SF 6 SPLINE ONLY	1
13	CMT00269	CLUTCH CAM TYPE C4	1
13a	CMT00400	CLUTCH KIT WALTERSCHEID C4 SERIES	1
<i>CLUTCH REPAIR KIT COMPRISING OF 2 + 4 WEAR DISCS FOR CMT00269</i>			
13b	CMT00388	CLAMP PIN C3-C4 PTO SHAFT 8494	1
<i>BOLT-PIN TO SECURE PTO SHAFT TO PTO STUB ON MACHINE GEARBOX</i>			
13c	CMT00422	CLAMP RING FRICTION CLUTCH	1
<i>CLAMP RING TO SECURE PTO SHAFT TO PTO STUB ON MACHINE GEARBOX</i>			
13d	CMT00423	SPLIT PIN FOR CLAMP RING	1
<i>ROLL PIN TO SECURE CLAMP RING</i>			
13e	CMT00280	COMER CLUTCH KIT C4 SERIES	1
<i>CLUTCH REPAIR KIT USED ON COMER PTO SHAFT ONLY</i>			
21	CMT00084	UNIVERSAL JOINT TYPE 1	2
22	CFA00097	GREASE NIPPLE	2
23	CMT00085	PLATE DIA 26.95X2 FUSION PTO	4
24	CMT00086	YOKE DOUBLE WITH GREASE NIPPLE	1
25	CFA00628	GREASE NIPPLE M8X1 STRAIGHT	1
26	CMT00087	YOKE INNER SMALL PROFILE TUBE	1
27	CFA00629	SPLIT PIN 10X80	2
28	CMT00188	PROFILE TUBE COATED INNER	1
29	CMT00190	PROFILE TUBE OUTER	1
30	CMT00090	INNER YOKE LARGE PROFILE TUBE	1
31	CMT00091	UNIVERSAL JOINT TYPE 2	1
32	CFA00103	GREASE NIPPLE	1
51	CMT00169	CONE GUARD PTO FUSION	1
52	CFA00630	SCREW M4X10 FUSION PTO	10
53	CMT00093	BEARING RING LARGE DIA. FUSION	1
54	CMT00095	BEARING RING SMALL FUSION PTO	2
55	CMT00189	FLEXIBLE GUARD CONE	1
56	CMT00096	REINFORCEMENT COLLAR FUSION	1
57	CMT00097	GUARD CONE FUSION PTO	1
58	CCH00046	SAFETY CHAIN 400MM FUSION PTO	1
59	CCH00047	SAFETY CHAIN 600MM FUSION PTO	1
90	CLT00082	DECAL+MANUAL WARNING PTO SHAFT	1
91	CST00133	DECAL NO HIGH PRESSURE CLEANER	1

No.	Part No	Description	Qty
-----	---------	-------------	-----

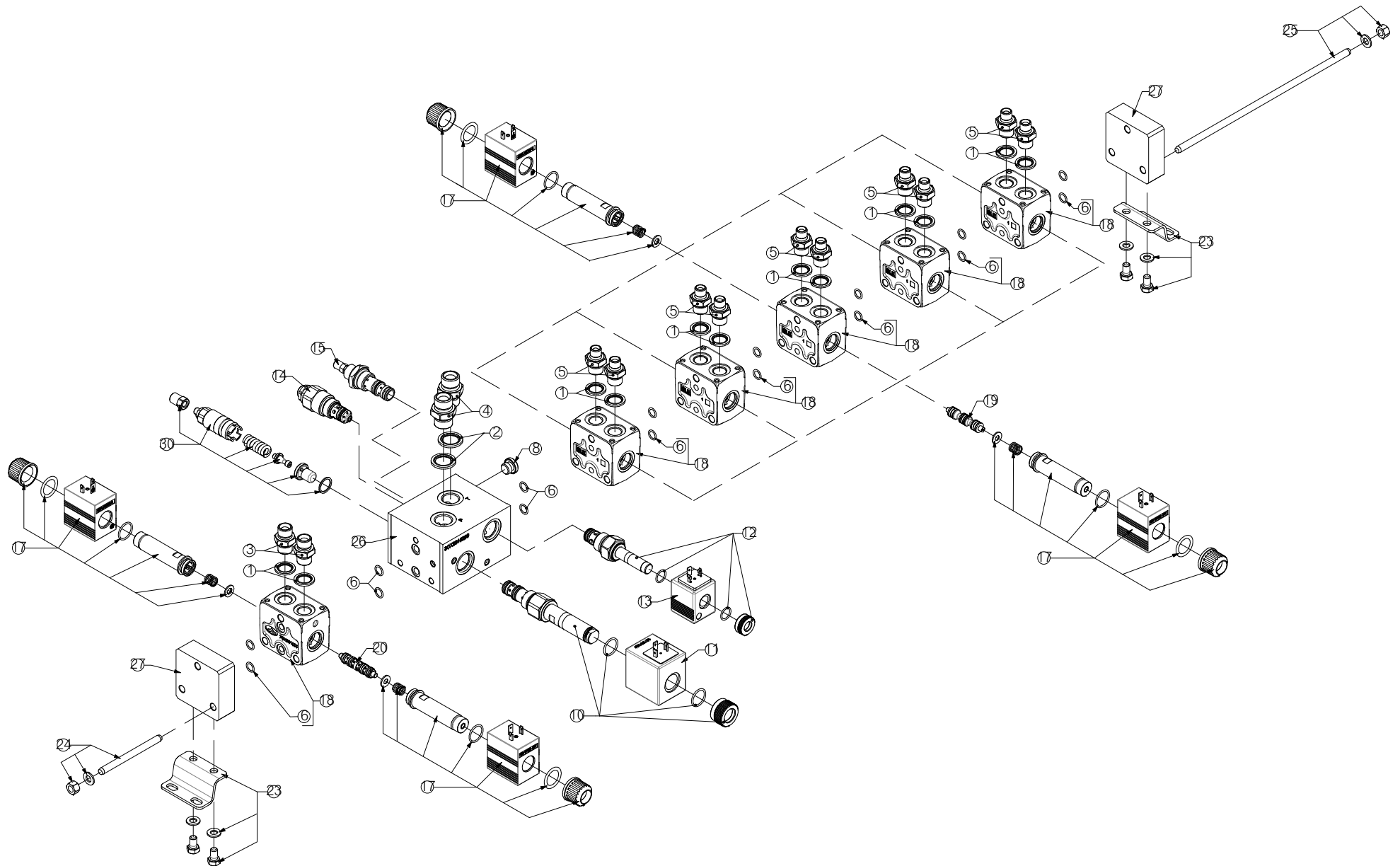
# Hydraulic Components (721)



No.	Part No	Description	Qty
1	CBR00039	BEARING GLACIER PM 2525 DX	4
2	CBR00040	BEARING GLACIER PM 25 X 20	8
3	CFA00052	SETSCREW M8X20 Z/P	4
4	CFA00100	BOLT M8X40 Z/P	2
5	CFA00108	BOLT M8X55 Z/P	2
6	CFA00118	GREASE NIPPLE M8X1.25 STRAIGHT	6
7	CFA00132	NUT M8 NYLOC Z/P	8
8	CFA00147	WASHER FLAT 8MM Z/P	15
9	CFA00183	HOSE CLAMP COVER PLATE 14-18	17
10	CFA00203	20MM HOSE CLAMP	3
11	CFA00204	HOSE CLAMP COVER PLATE 20-25	2
12	CFA00210	SETSCREW M8X50 Z/P	2
13	CFA00316	BOLT M8X30 Z/P	12
14	CFA00374	14MM HOSE CLAMP	34
15	CHY00015	WASHER DOWTY 1/4"	9
16	CHY00020	WASHER DOWTY 3/8"	14
17	CHY00053	WASHER DOWTY 1/2"	12
18	CHY00389	HA08 3800WJ-F0800N-F0890N-000	1
<i>C460 &amp; C470 TRAILED MACHINES ONLY</i>			
18	CHY00451	HA08_1600WJ_F0800_F0800_000	1
<i>C430 LINKAGE MACHINES ONLY</i>			
19	CHY00390	HA08 1130WJ-F0800N-F0890N-000	1
20	CHY00391	HA04 17400WJ-F0400N-F0490N-000	2
21	CHY00392	HA06 1600WJ-F0690N-F06900N-000	2
22	CHY00393	HA04 2550WJ-F0490N-F0490N-000	1
23	CHY00394	HA04 2650WJ-F0490N-F0490N-000	1
24	CHY00395	CM2T06 NU+90 1460MM	2
25	CHY00396	HA04 1605WJ-F0490N-F0490N-000	2
26	CHY00397	HA04 3945WJ-F0490N-F0400-000	2
27	CHY00398	HA04 1310WJ-F0400N-F0400-000	4
28	CHY00402	HA08 2520WJ-F0800N-F0800N-000	1
<i>C460 &amp; C470 TRAILED MACHINES ONLY</i>			
28	CHY00452	HA08_2860WJ_F0890_F0800_000	1
<i>C430 LINKAGE MACHINES ONLY</i>			
29	CHY02010	ADAPTOR 1/4" BSP M/M	2
30	CHY02012	WASHER DOWTY 3/4"	2
31	CHY02013	ADAPTOR 1/2" BSP M/M	7
32	CHY02015	QR 1/2" MALE PARKER 7V14G4X4	2
33	CHY02032	ADAPTOR 1/4"M 3/8"M	14
34	CHY02079	ADAPTOR 3/4"M 1/2"M BSP	2
35	CHY02085	ADAPTOR 1/2M - 1/4M	4
<i>QTY 2 USED WITH 1/4 SUPPLY HOSES UP TO SERIAL No 850430</i>			
35	CHY02008	ADAPTOR 1/2 M 3/8 M	2
<i>QTY 2 USED WITH 3/8 SUPPLY HOSES FROM SERIAL No 850431</i>			
36	CHY02475	T PIECE 1/4" M-M-M	2
37	CMT00010	MOTOR 80CC 25DIA	1
38	CMT00282	MOTOR 750CC RC 14 TOOTH SPLINE SHAFT	1
<i>REPLACES (RE) MOTOR CMT00266</i>			
38a	CSE00170	SEAL KIT WHITE RC SERIES MOTOR	1
<i>SEAL KIT FOR RC HYD MOTOR CMT00282 FROM SERIAL NO 850254</i>			

No.	Part No	Description	Qty
38b	CSE00093	SEAL KIT WHITE RE SERIES MOTOR	1
<i>SEAL KIT FOR RE HYD MOTOR CMT00266 UP TO SERIAL NO 850253</i>			
39	CRA00195	PISTON ROD FOR CRA00185	1
40	CRA00212	RAM CAP FOR CRA00193	1
41	CRA00215	SEAL GLAND FOR CRA00185 TOP	2
42	CRA00216	SEAL GLAND FOR CRA00185 BOTTOM	2
43	CRA00267	RAM 430-515 STROKE BALE SHREADER	1
44	CRA00268	20X372MM 20X40X40 BUSH RAM ROD	1
45	CRA00271	DOOR RAM ROD BALE SHREADER	2
46	CRA00272	COMB RAM 184-634 BALE SHREDDER	1
46a	CSE00641	SEAL KIT FOR RAM CRA00272	1
<i>SEAL KIT FOR RAM CRA00272</i>			
47	CRA00273	COMB RAM BARREL BALE SHREDDER	1
48	CRA00274	COMB RAM ROD BALE SHREDDER	1
49	CRA00277	RAM 32X20 STROKE 85MM CHECK	1
50	CRA00278	RAM TUBE BELT TENSIONER C4 SERIES	1
51	CRA00279	RAM BARREL 32X40X145MM	1
52	CRA00280	RAM 60X30X435STROKE C4 SERIES	1
<i>USED ON RH SIDE OF MACHINE</i>			
52	CRA00295	RAM 60X30X435STROKE C4 SERIES	1
<i>USED ON LH SIDE OF MACHINE</i>			
52a	CSE00039	SEAL KIT TABLE TIP LINKAGE	2
<i>SEAL KIT FOR RAM CRA00280 &amp; CRA00295</i>			
53	CRA00281	RAM BARREL LOADING DOOR C4 SERIES	2
54	CRA00282	RAM CAP 60X30 DOOR C4 SERIES	2
55	CSE00124	SEAL KIT FOR RAM CRA00185	2
56	CVA00315	FILTER IN-LINE MEDIUM PRESSURE	1
56	CVA00316	FILTER ELEMENT FOR CVA00315 IN-LINE	1
<i>FILTER ELEMENT FOR CVA00315</i>			
57	CVA00363	VALVE CTRL C460 OC ONLY	1
<i>REPLACES CVA00360</i>			
58	CVA00377	FLOW LIMITER COMP 40LIT 1/2 MF	1
59	CVA02999	VALVE NON RET 1/2" 0.5BAR	1
60	CZC03485	3MM L VALVE BRACKET C4 SERIES	2

**Hydraulic valve main control CVA00363 (729)**



No.	Part No	Description	Qty
0	CVA00363	VALVE CONTROL OC BALE CHOPPER	1
1	CHY00020	WASHER DOWTY 3/8	12
2	CHY00053	WASHER DOWTY 1/2	2
3	CHY02002	ADAPTOR 3/8 BSP M/M	2
4	CHY02013	ADAPTOR 1/2 BSP M/M	2
5	CHY02032	ADAPTOR 1/4 M 3/8 M	10
6	CSE00624	SEAL O RING 9.75X1.78 NBR70	16
8	CVA00176	PLUG BSP 1/4 ALLEN HD +SEAL	1
10	CVA00396	VALVE CTE PROP 3WAY FLOW COMP	1
11	CVA00397	COIL 12 PROPORTIONAL DIN	1
12	CVA00398	VALVE CTE SAE10 NO POPPET	1
13	CVA00399	COIL 12VDC DIN BE-EC36	1
14	CVA00400	VALVE RELIEF CTE SAE10 250BAR	1
15	CVA00401	VALVE FLOW COMP CTE 3WAY SAE10	1
17	CVA00417	COIL INCL TUBE FOR SDE030 VALVE	12
18	CVA00418	BODY FOR SDE030 VALVE	6
19	CVA00419	SPOOL SDE030 TANK CLOSED	5
20	CVA00420	SPOOL SDE030 TANK OPEN	1
23	CVA00433	MTG PLATE & BOLTS (5STA148065)	2
24	CVA00434	STUD SET SHORT (5TIR108099)	1
25	CVA00435	STUD SET LONG (5TIR108282)	1
26	CVA00436	MANIFOLD (3CX2315206) FOR CVA00363	1
27	CVA00437	OUTLET COVER (3FIA203000)	2
30	CVA00560	RELIEF VALVE ASSY	1

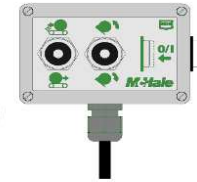
FROM SERIAL No 850431 ONWARDS

No.	Part No	Description	Qty
-----	---------	-------------	-----

**Electrical control [Up to Serial No 852499] (765)**



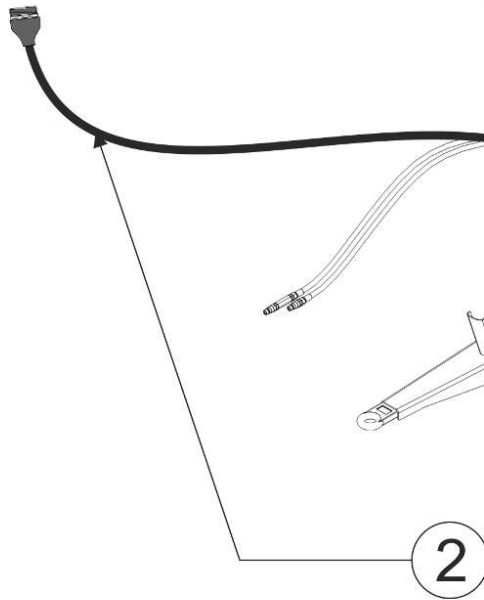
1



5



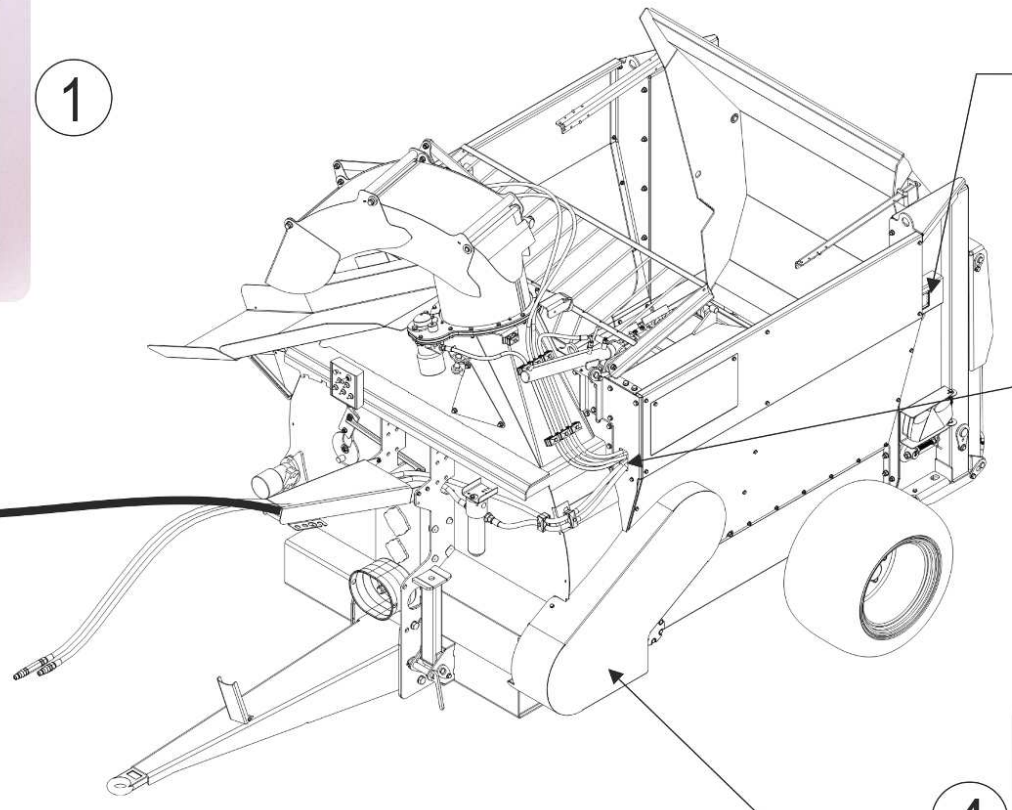
3



2



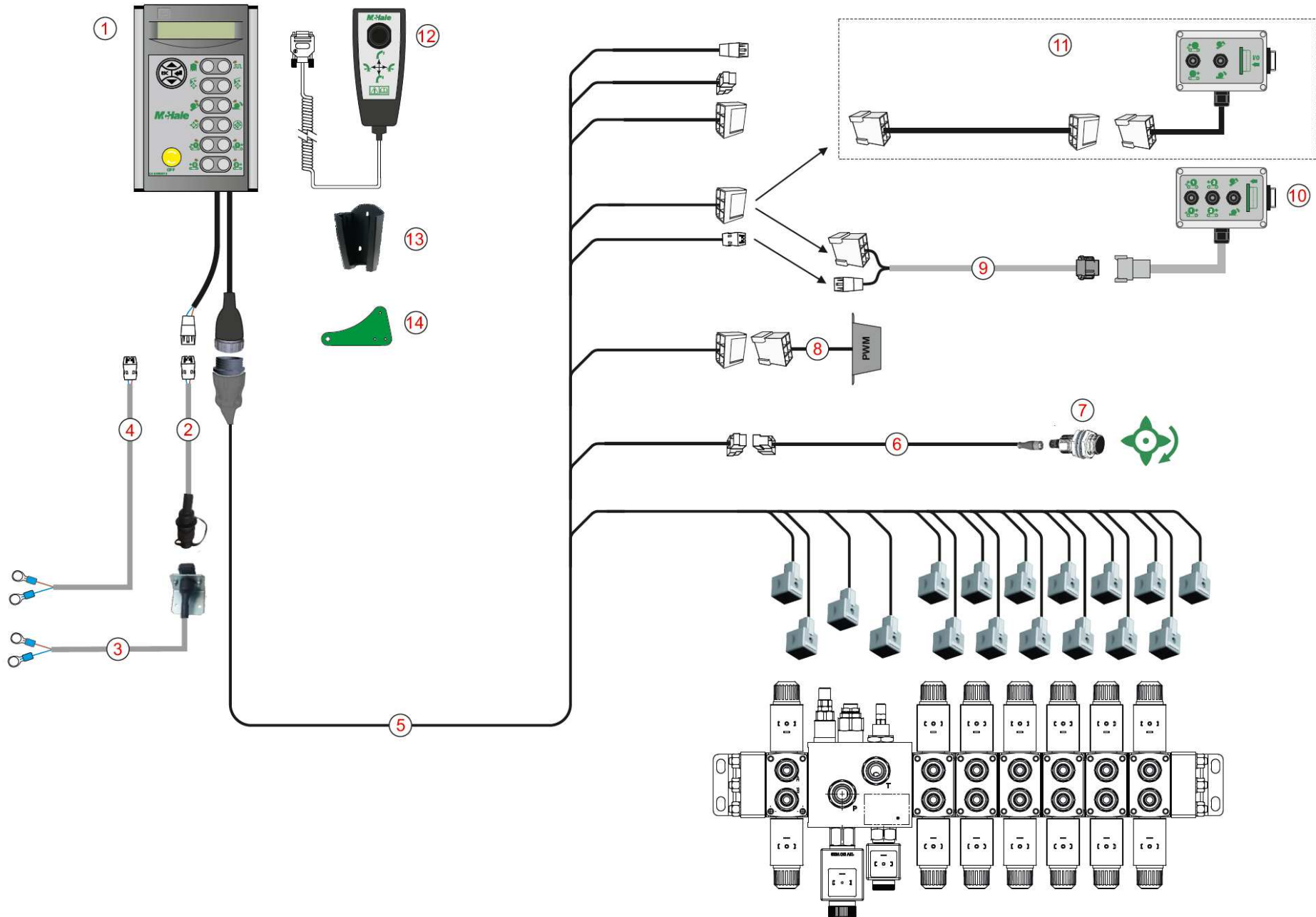
4



No.	Part No	Description	Qty
1	CEL00841	CONTROL UNIT C460 MARK II <i>FROM SERIAL No. 850112 ONWARDS</i>	1
1	CEL00318	CONTROL UNIT BALE SHREDDER <i>UP TO SERIAL No 850111 (REPLACED BY UWP00037)</i>	1
1	CEL00365	CTRL UNIT CONNECTOR LOCK RING <i>REPLACEMENT LOCK RING TO CONNECT TO MAIN LOOM</i>	1
1	CPL00007	VACUUM PAD FLAT BACK	1
1	CEL00966	C460 LARGE TOGGLE SWITCH <i>REPLACEMENT LARGE TOGGLE SWITCH</i>	1
1	CEL00967	C460 SMALL TOGGLE SWITCH <i>REPLACEMENT SMALL TOGGLE SWITCH</i>	1
1	CEL00968	C460 YELLOW POWER BUTTON <i>REPLACEMENT YELLOW POWER BUTTON</i>	1
1	CEL00671	STOP SWITCH CONTACT BLOCK <i>REPLACEMENT CONTACT BLOCK</i>	1
1	CEL00970	C460 JOYSTICK ASSEMBLY <i>REPLACEMENT JOYSTICK ASSEMBLY</i>	1
2	CEL00199	EXTENSION 37 PIN 3.3M <i>ONLY USED UP TO SERIAL No 851116. CEL00356 INCORPORATES 3.3M EXTENSION LOOM FROM SERIAL No 851117</i>	1
3	CEL00356	LOOM C460 SERIAL 850112+ <i>FROM SERIAL No. 850112 ONWARDS</i>	1
3	CEL00319	LOOM C460 BALE SHREDDER <i>UP TO SERIAL No. 850111</i>	1
4	CEL00355	SENSOR RECTANGULAR PNP 8MM S/N <i>FROM SERIAL No. 850112 ONWARDS</i>	1
4	CEL00705	SWITCH LIMIT HONEYWELL 91MCE2-P1 <i>UP TO SERIAL No.850111</i>	1
5	CEL00320	SWITCH BOX REAR C460 KIT <i>KIT INCLUDES ITEM (5a) 4.5m EXTENSION</i>	1
5a	CEL00846	EXTENSION, 4.5M, 6-WAY, FI/FO <i>4.5m EXTENSION LEAD ONLY</i>	1
5	CEL00965	C460 REAR SWITCH BOX POWER BUTTON <i>REPLACEMENT REAR SWITCH BOX POWER BUTTON</i>	1
5	CEL00966	C460 LARGE TOGGLE SWITCH <i>REPLACEMENT LARGE TOGGLE SWITCH</i>	1

No.	Part No	Description	Qty
-----	---------	-------------	-----

# Electrical control [From Serial No 852500] (1090)





No.	Part No	Description	Qty
1	CEL01649	CTRL EXPERT 2 C4 FEEDER/BLOWER	1
<i>ONLY USE ON MACHINES WITH C4 EXPERT 2 MAIN LOOM (CEL01650)</i>			
2	CEL00064	LOOM COBO WHITE CON EURO LEAD	1
3	CEL00010	EURO SOCKET TO BATT POWER LEAD	1
4	CEL00031	BAT POWER LEAD CTRL BOX DIRECT	1
5	CEL01650	C4 EXPERT2 MAIN LOOM	1
6	CEL00926	ADAPTER 3WAY AMP-M12 STRAIGHT 2M	1
7	CEL00767	SENSOR M18 PROX M12 PLUG	1
8	CEL00193	PWM MODULE CONSTANT CURRENT	1
9	CEL01652	C490 REAR SWITCH BOX EXTENSION	1
<i>C490 ONLY</i>			
10	CEL01651	C490 REAR SWITCH BOX	1
<i>C490 ONLY</i>			
10a	CEL00965	C4 REAR SWITCH BOX POWER BUTTON	1
<i>WHITE PUSH BUTTON WITH COVER (ALSO USED IN CEL00320)</i>			
10b	CEL00966	C4 LARGE TOGGLE SWITCH	3
<i>TOGGLE SWITCH AND BOOT (ALSO USED IN CEL00320)</i>			
11	CEL00320	SWITCH BOX REAR C460 KIT	1
<i>C430, C460, &amp; C470 (KIT INCLUDES SWITCH BOX AND 4.5M EXTENSION)</i>			
11a	CEL00846	EXTENSION 4.5M 6-WAY FI/FO	1
<i>4.5M EXTENSION USED ON THE C460 &amp; C470 MODELS ONLY (SUPPLIED AS PART OF CEL00320)</i>			
12	CEL01665	C4 JOYSTICK HAND PIECE	1
13	CPL00287	JOYSTICK/REMOTE HOLDER	1
14	CZC05703	3MM L C4 SERIES JOYSTICK BRKT	1

No.	Part No	Description	Qty
-----	---------	-------------	-----

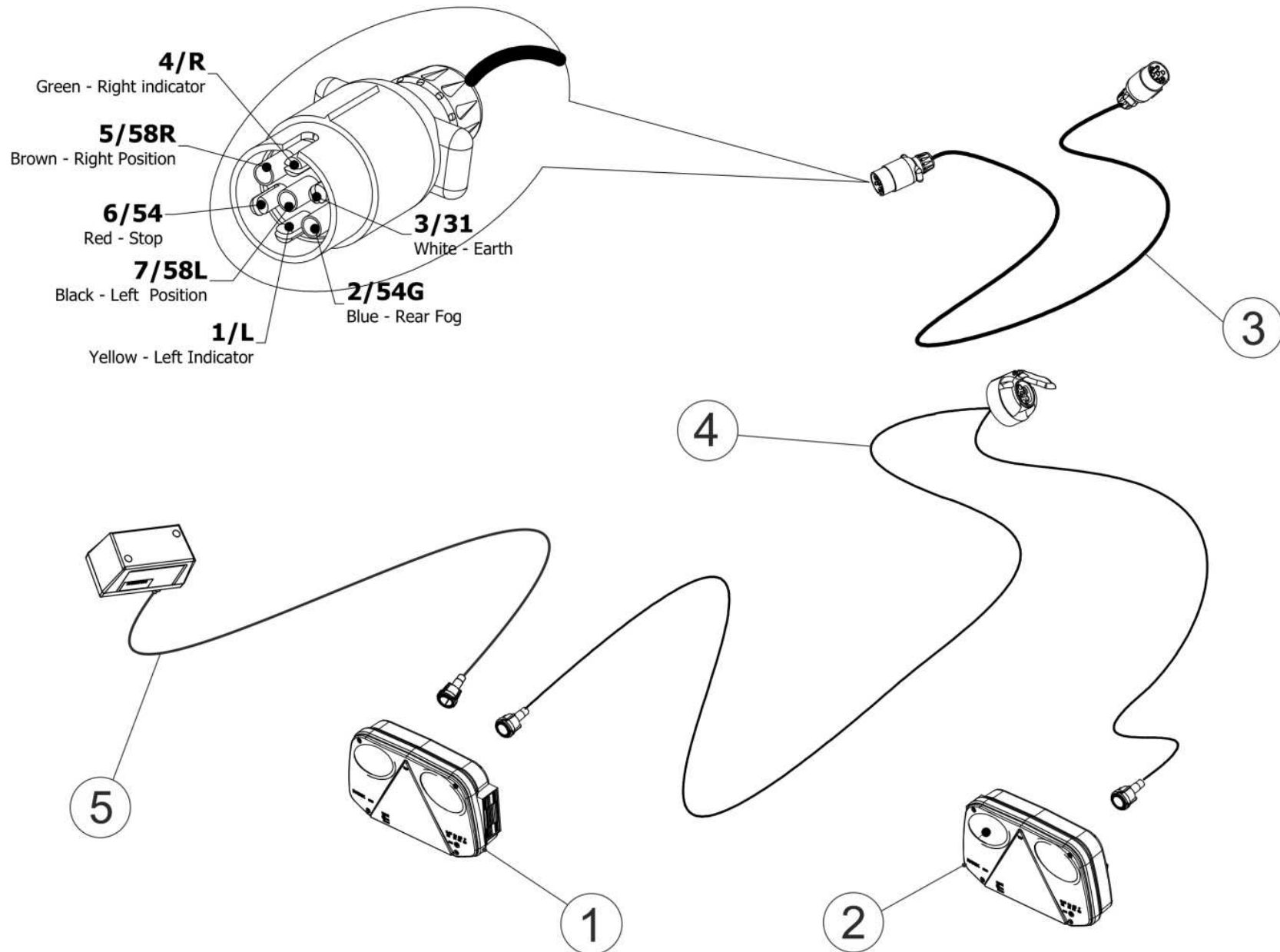
# Expert control unit (1074)



No.	Part No	Description	Qty
1	CEL00071	CTRL EXPERT 991	1
1	CEL00189	CTRL EXPERT FUSION 1	1
1	CEL00147	CTRL EXPERT HS2000	1
1	CEL00168	EXPERT CONTROL UNIT	1
1	CEL00153	CTRL EXPERT 991 RECON	1
1	CEL00253	CTRL EXPERT FUSION 1 RECON	1
1	CEL00185	CTRL EXPERT HS2000 RECON	1
1	CEL00645	CTRL EXPERT 998 RECON	1
1	CEL01649	CTRL EXPERT 2 C4 FEEDER/BLOWER	1
1	CEL01778	CTRL EXPERT 2 C4 RECON	1
2	CEL00288	EXPERT CONTROL BOX SCREEN	1
3	CEL00321	SCREEN PROTECTOR EXPERT	1
4	CEL00326	BATTERY EXPERT/EXPERT PLUS	1
5	CEL00365	CTRL UNIT CONNECTOR LOCK RING	1
6	CEL00670	CONTROL UNIT STOP SWITCH	1
7	CEL00671	STOP SWITCH CONTACT BLOCK - FOR CEL00670	1
8	CEL00371	EXPERT CABLE+PLATE 991/HS/998	1
8	CEL00372	EXPERT CABLE + PLATE FUSION1	1
8	CEL01675	EXPERT 2 CABLE + PLATE C4	1
9	CEL00064	EURO POWER LEAD	1
9	CEL01581	POWER LEAD USA	1
NORTH AMERICA ONLY			
10	CEL00010	EURO SOCKET TO BATT POWER LEAD	1
11	CEL00254	RDS EXPERT UPLOAD KIT	1
12	CEL00031	POWER LEAD	1
13	CPL00007	VACUUM PAD FLAT BACK	1
14	KST00070	CONTROL UNIT MOUNTING BRACKETS	1
15	CEL00098	CON HSG TAB 2 WAY AMP 180924-0	1
16	CEL00027	TERM CRIMP TAB AMP NO 42565-2	1
17	CEL00381	EXPERT KEYPAD MEMBRANE	1
18a	CEL00341	OVERLAY EXPERT HS2000	1
18b	CEL00340	OVERLAY EXPERT 998	1
18c	CEL00339	OVERLAY EXPERT 991	1
18d	CEL00342	OVERLAY EXPERT FUSION	1
18e	CEL01615	OVERLAY EXPERT 2 991	1
18f	CEL01616	OVERLAY EXPERT 2 998	1
18g	CEL01673	OVERLAY EXPERT 2 C4	1
19	CEL00324	BUZZER EXPERT	1
20	CEL00386	FUSION EXPERT EXTERNAL BUZZER	1
21	CEL01753	CONTROL UNIT STOP SWITCH NUT	1
22	CEL00315	PLUG 9 WAY D-TYPE (FARNELL: 108-4672 (10 PACK))	1
23	CEL00122	CON 9 WAY PLUG MALE	1
24	CEL00316	BACKSHELL 9 WAY D-TYPE	1
25	CEL00664	REMOTE HAND PIECE R/C	1
26	CEL00665	RADIO REMOTE RECEIVER	1
27	CEL00013	REMOTE HAND PIECE	1
28	CEL00012	REMOTE RECEIVER	1
29	CEL01643	2.4 GHZ RADIO REMOTE TRANSMITTER	1
30	CEL01644	2.4 GHZ RADIO REMOTE RECEIVER	1

No.	Part No	Description	Qty
31	CEL00836	REMOTE HAND CONTROLLER 991/995	1
32	CEL01665	C4 JOYSTICK HAND PIECE	1

## Electrical lighting kit (1169)



No.	Part No	Description	Qty
0	CEL00943	ELECTRICAL LIGHTING KIT- RADEX <i>USED ON C430, C460 &amp; C470 MACHINES ONLY (INCLUDES ITEMS 1 TO 4) CEL01691 CAN BE USED AS AN ALTERNATIVE</i>	1
0	CEL01691	LIGHTING KIT C490 (RADEX) <i>USED ON C490 MACHINES ONLY (INCLUDES ITEMS 1 TO 4)</i>	1
1	CEL00700	TAIL LIGHT RADEX LEFT <i>COMPLETE LIGHT UNIT LHS</i>	1
1a	CEL00788	LIGHT LENS RADEX 2800 LHS <i>LENS ONLY LHS</i>	1
1b	CEL00951	RADEX RED PLUG KIT (LEFT) <i>KIT CONTAINS CONNECTOR, HANDLE, CABLE-PROTECTION &amp; 5x CRIMP TERMINALS</i>	1
2	CEL00701	TAIL LIGHT RADEX RIGHT <i>COMPLETE LIGHT UNIT RHS</i>	1
2a	CEL00787	LIGHT LENS RADEX 2800 RHS <i>LENS ONLY RHS</i>	1
2b	CEL00950	RADEX GREEN PLUG KIT (RIGHT) <i>KIT CONTAINS CONNECTOR, HANDLE, CABLE-PROTECTION &amp; 5x CRIMP TERMINALS</i>	1
3	CEL00765	LIGHTING LOOM EXTENSION	1
3	CEL01568	LIGHT LOOM EXTENSION, 3000MM, USA <i>USED ON MACHINES WITHIN THE USA &amp; CANADA ONLY (NO NEED FOR CEL01505 ADAPTOR)</i>	1
3a	CEL01505	LIGHT LOOM ADAPTER (AMERICA) <i>USED TO CONNECT LIGHTING ON MACHINES WITHIN THE USA &amp; CANADA</i>	1
3b	CEL01587	7 PIN LIGHTING PLUG SAE J560	1
4	CEL00764	LIGHTING LOOM <i>USED ON C430 &amp; C460 MACHINES ONLY (CEL00944 OR CEL01690 CAN BE USED AS AN ALTERNATIVE)</i>	1
4	CEL01690	LIGHTING LOOM C490 <i>USED ON C470 &amp; C490 MACHINES ONLY</i>	1
5	CEL00720	REG PLATE LIGHT 900MM (RADEX) <i>USED ON C4 SERIES UP TO SERIAL No 852408 (1300MM ALTERNATIVE CEL00972)</i>	1
5	CEL01662	REG LIGHT TYPE APPROVED 900MM <i>USED ON C4 SERIES FROM SERIAL No 852409 (1300MM ALTERNATIVE CEL01663)</i>	1

No.	Part No	Description	Qty
-----	---------	-------------	-----

## Decals 1 (911)

Hands  
Rotating rollers  
**(CST00017)**

Hands  
Crush area  
**(CST00019)**

Lift hook  
Lifting eye  
**(CST00032)**

Grease daily  
**(CST00060)**

Pressurised  
hydraulic oil  
**(CST00111)**

Close all  
covers  
**(CST00114)**

Keep hands out  
of crush area  
**(CST00120)**

Max PTO &  
pressure  
**(CST00121)**

To avoid injury stay clear of  
the "**danger zone**" while  
machine is operating.  
**(CST00141)**

Stay clear of rotating PTO  
shaft. Entanglement in  
rotating drive line can cause  
serious injury or death.  
**(CST00143)**

Electrical hazard  
**(CST00877)**

Jacking point  
**(CST00923)**

Check torque &  
pressure daily  
**(CST00936)**

Greasing  
diagram  
**(CST00223)**  
**(CST00315)**

No hands -  
rotating rollers  
**(CST00227)**

Remove key  
from ignition  
**(CST00227)**

Remove key  
from ignition  
**(CST00228)**

Read manual  
before use  
**(CST00228)**

Ensure fan  
stops rotating  
**(CST00228)**

No.	Part No	Description	Qty
1	CST00017	DECAL ROTATING ELEMENTS 214	1
2	CST00019	DECAL CRUSHED HAND	8
3	CST00032	DECAL LIFTING HOOK	4
4	CST00060	DECAL GREASE GUN	12
5	CST00111	DECAL HYDRAULIC WARNING	1
6	CST00114	DECAL CLOSE PROTECTIVE COVERS	1
7	CST00120	DECAL CRUSHED HAND (ABOVE)	2
8	CST00121	DECAL OIL PRESSURE/PTO RPM	1
9	CST00141	DECAL DRAWBAR SWING BALER 210	2
10	CST00143	DECAL MAN WRAPPED IN SHAFT 220	2
11	CST00223	DECAL GREASE MAP C4 SERIES	1
<i>C460 &amp; C470 TRAILED MACHINES ONLY</i>			
11	CST00315	C4 SERIES LINKAGE GREASE DECAL	1
<i>C430 LINKAGE MACHINES ONLY</i>			
12	CST00227	DECAL NO HANDS & REM KEY 96X96	1
13	CST00228	DECAL IGNKEY-MANUAL-FAN 96X146	1
14	CST00877	ELECTRICAL HAZARD WARNING CONTROL BOXES	1
15	CST00923	DECAL JACKING POINT	4
16	CST00936	CHECK WHEEL NUTS AND PRESSURE DAILY - C4	2
<i>C460 &amp; C470 TRAILED MACHINES ONLY</i>			

No.	Part No	Description	Qty
-----	---------	-------------	-----



# Decals 2 (912)

Free-flow tank return  
(CST00006)

(CST00214)

(CST00122)  
(CST00269)  
(CST00311)

No hands near belts, chains & pulleys  
(CST00230)

C430 (CST00312)  
C460 (CST00215)  
C470 (CST00255)  
C490 (CST00270)

(CST00210) (CST00224) (CST00268) (CST00313)

(CST00213) (CST00225) (CST00267) (CST00314)

Do not stand on platform  
Or moving floor  
(CST00231)

'Hare'  
(CST00217)

Remove key from ignition  
(CST00228)

Floor movement indicator  
(CST00734)

Beware of sharp blades  
Beware of chute blow area  
(CST00232)

'Neutral'  
(CST00218)

Warning sharp knives

'Tortoise'  
(CST00219)

Ensure fan stops rotating  
(CST00229)

Max PTO angle  
(CST00658)

ATTENTION: PTO wide angle joint must never exceed 80 deg. both during operation and when stationary, otherwise permanent damage will result. CST00658



No.	Part No	Description	Qty
1	CST00006	DECAL FREEFLOW RETURN TO TANK	1
2	CST00122	DECAL MCHALE REAR PANEL FUSION	3
<i>QTY = 3 ON C460 &amp; C470 MACHINES (QTY = 1 ON C430 &amp; C490 MACHINES)</i>			
2	CST00269	DECAL MCHALE 954X209	2
<i>C490 TRAILED MACHINES ONLY</i>			
2	CST00311	550MM MCHALE DECAL	2
<i>C430 LINKAGE MACHINES ONLY</i>			
3	CST00210	DECAL SIDE STRIP RH C460	1
<i>C460 TRAILED MACHINES ONLY</i>			
3	CST00224	DECAL SIDE 2000 STRIP RH C470	1
<i>C470 TRAILED MACHINES ONLY</i>			
3	CST00268	DECAL SIDE 2400 STRIP RH C490	1
<i>C490 TRAILED MACHINES ONLY</i>			
3	CST00313	DECAL SIDE STRIP RIGHT C430	1
<i>C430 LINKAGE MACHINES ONLY</i>			
4	CST00213	DECAL SIDE STRIP LH C460	1
<i>C460 TRAILED MACHINES ONLY</i>			
4	CST00225	DECAL SIDE 2000 STRIP LH C470	1
<i>C470 TRAILED MACHINES ONLY</i>			
4	CST00267	DECAL SIDE 2400 STRIP LH C490	1
<i>C490 TRAILED MACHINES ONLY</i>			
4	CST00314	DECAL SIDE STRIP LEFT C430	1
<i>C430 LINKAGE MACHINES ONLY</i>			
5	CST00214	DECAL MCHALE 250MM C4 SERIES	2
6	CST00312	DECAL C430 BLACK 75MM	2
6	CST00215	DECAL C460 BLACK 110MM	2
6	CST00255	DECAL C470 BLACK	2
6	CST00270	DECAL C490 BLACK	2
7	CST00217	DECAL HARE C4 SERIES	1
8	CST00218	DECAL NEUTRAL C4 SERIES	1
9	CST00219	DECAL TORTOISE C4 SERIES	1
10	CST00229	DECAL IGNKEY-KNIVES-FAN 96X146	1
11	CST00230	DECAL 211 NO HAND N BELT 50X96	1
12	CST00231	DECAL 222-227 NO STAND 116X116	2
14	CST00232	DECAL BLADE-CHUTE BLOW 116X116	2
15	CST00658	DECAL PTO MAX OPERATING ANGLE	1
<i>C460, C470 &amp; C490 TRAILED MACHINES ONLY</i>			
16	CST00734	DECAL FLOOR INDICATOR C4 SERIES	1

No.	Part No	Description	Qty
-----	---------	-------------	-----