

MSD 2.0 COMBI 300

Serie - Series - Sèrie- Serie - Serie

01.01

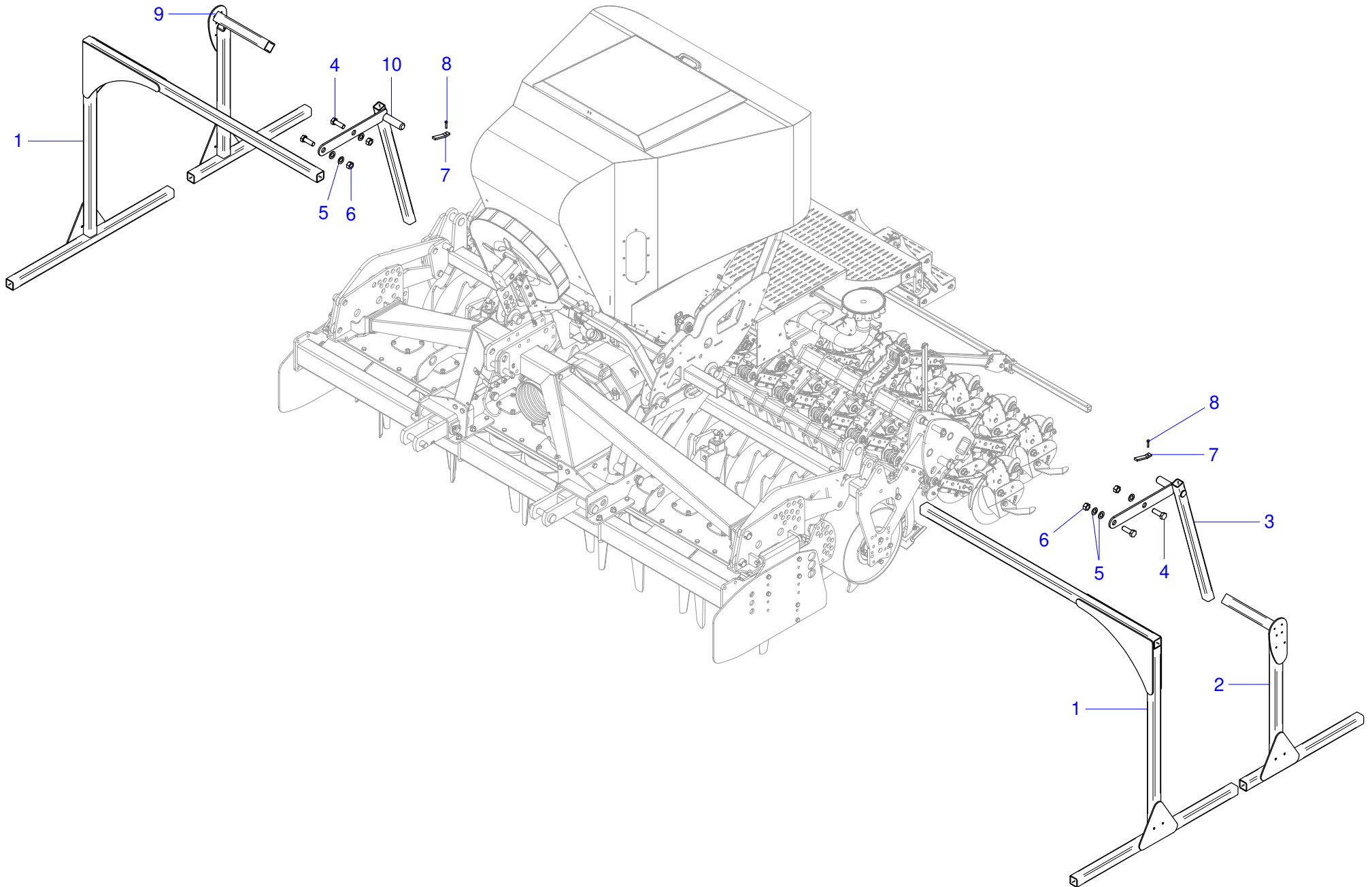
Cod.58710202



**CATALOGO RICAMBI
SPARE PARTS CATALOG
CATALOGUE PIÈCES DE RECHANG
ERSATZTEIL KATALOG
CATALOGO DE REPUESTOS
КАТАЛОГ ЗАПЧАСТЕЙ**

TAV.24-005-00 Supporti per parcheggio MSD 2.0 COMBI 300 - 350 - 400

TAV.24-005-00 Parking supports MSD 2.0 COMBI 300 - 350 - 400



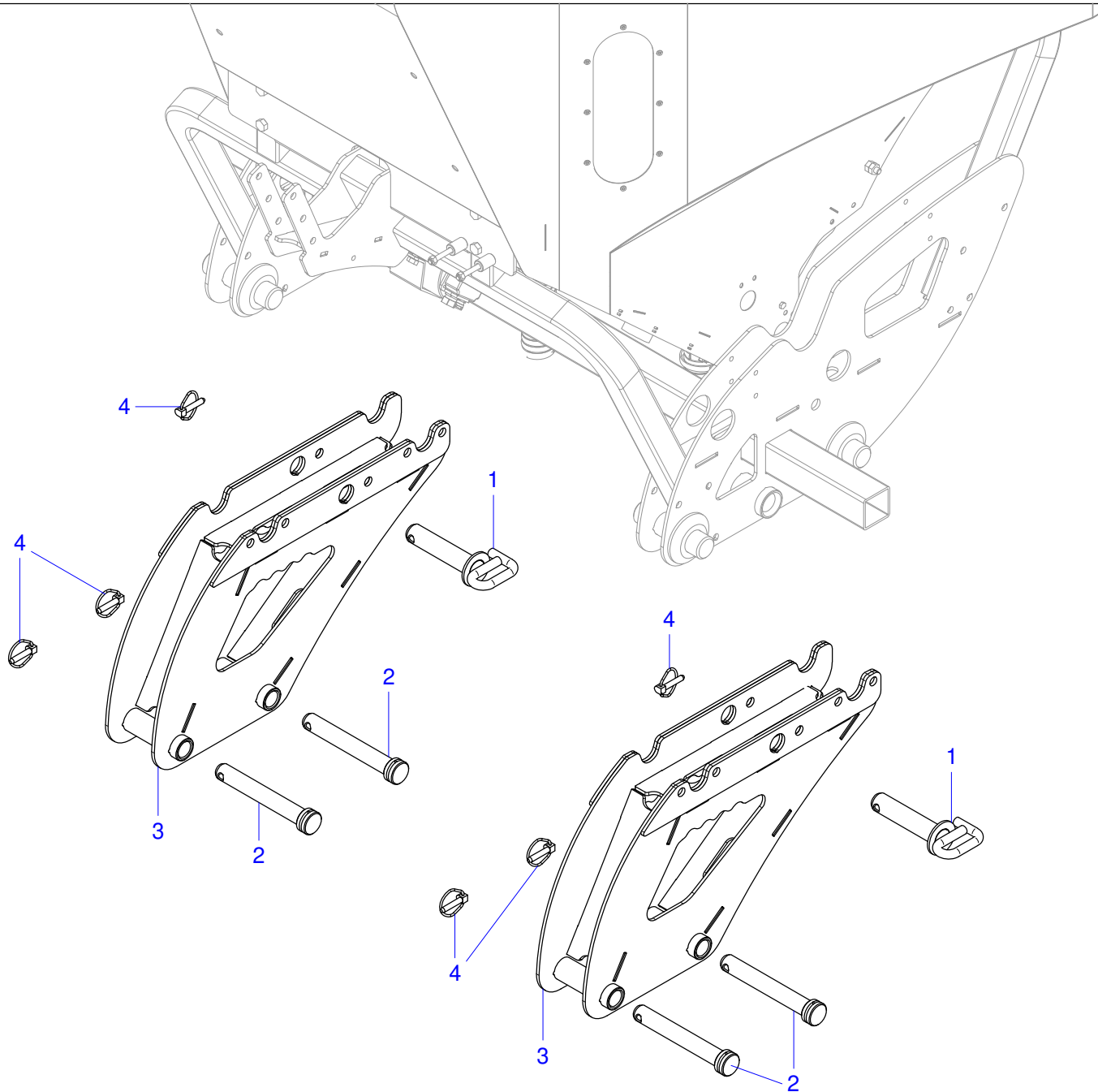
TAV.24-005-00 Supporti per parcheggio MSD 2.0 COMBI 300 - 350 - 400

TAV.24-005-00 Parking supports MSD 2.0 COMBI 300 - 350 - 400

Pos.	Codice	ITA	ENG
1	32401045	ASS. PIEDE D'APPOGGIO TRAMOGGIA MSD COMBI	ASY. FOOT SUPPORT HOPPER MSD COMBI
2	32401044	ASS. SX PIEDE D'APPOGGIO BARRA SEM. MSD COMBI	ASY. LX FOOT SUPP. BAR SEM. MSD COMBI
3	58190115	ASS. PIEDE DI TRASPORTO DX MSD COMBI	ASY. FOOT FOR TRANSPORT RX MSD COMBI
4	52114016	VITE TE 24X80 ZN 5737	HEX HEAD BOLT 24X80 SN 5737
5	52329001	RONDELLA PIANA D20 ZN 6592	WASHER D20 ZN 6592
6	52212901	DADO M20 UNI5588 ZN	NUT M20 5588 GV
7	59190114	LAM. FERMO BARRA SEMINA MSD COMBI	SHEET STEERING BAR SEED MSD COMBI
8	52113307	VITE TE M6x35 ZN 5739	HEX CAP SCREW 6X35 EN ISO 4017
9	32401043	ASS. DX PIEDE D'APPOGGIO BARRA SEM. MSD COMBI	ASY. RX FOOT SUPP. BAR SEM. MSD COMBI
10	58190116	ASS. PIEDE DI TRASPORTO SX MSD COMBI	ASY. FOOT FOR TRANSPORT LX MSD COMBI

TAV.24-007-00 Attacchi controtelaio MSD 2.0 COMBI 300 - 350 - 400

TAV.24-007-00 Counter frame attachments MSD 2.0 COMBI 300 - 350 - 400



TAV.24-007-00 Attacchi controtelaio MSD 2.0 COMBI 300 - 350 - 400

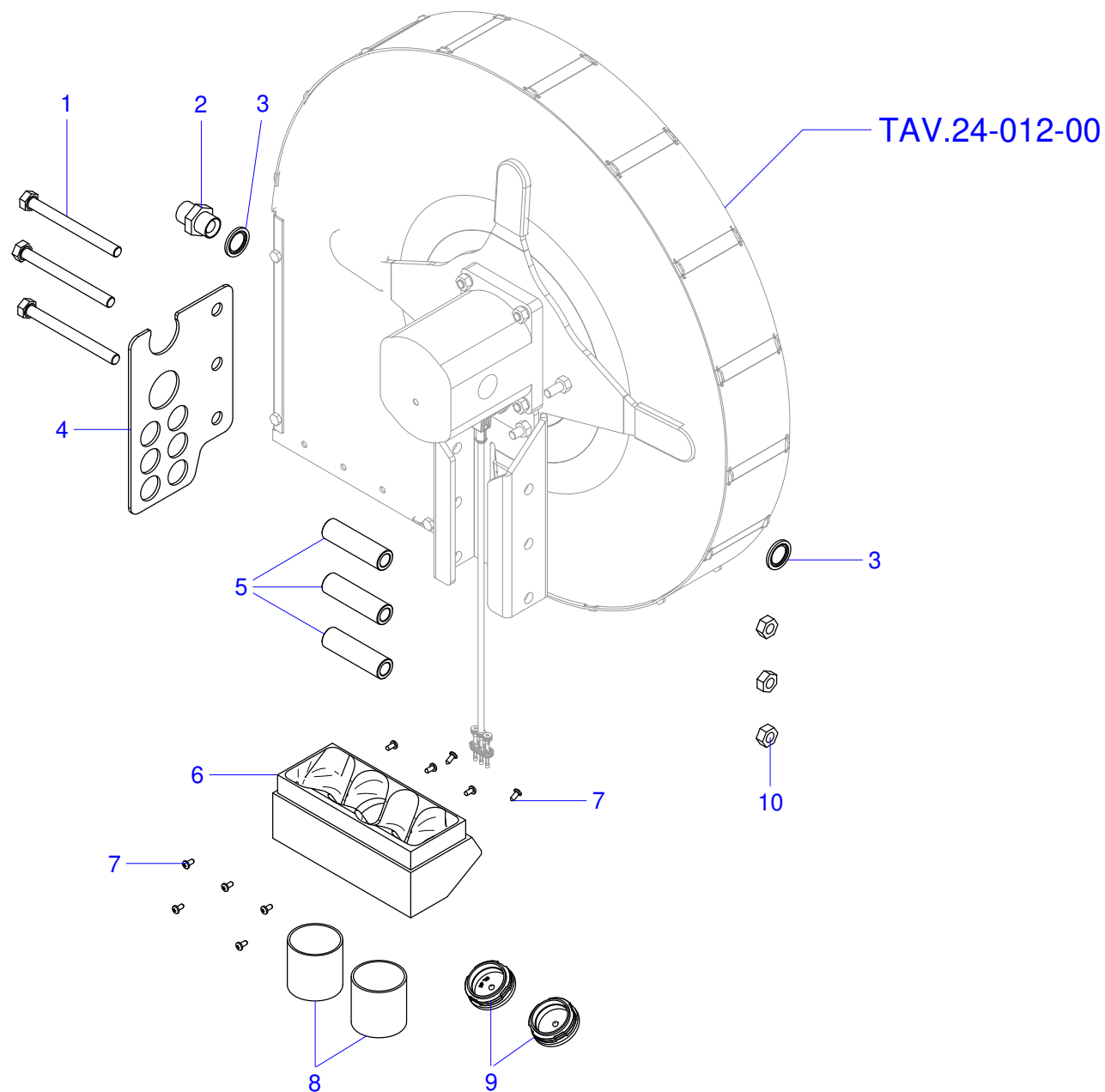
TAV.24-007-00 Counter frame attachments MSD 2.0 COMBI 300 - 350 - 400

MaterMacc
an **ARBOS** Company

Pos.	Codice	ITA	ENG
------	--------	-----	-----

1	32283260	ASS. SPINA CHIAVISTELLO Ø32 L.150
2	42401084	SPINA TONDO Ø28 L.194 1 FORO Ø10,5
3	32401041	ASS. CONTROTELAIO MSD COMBI
4	52440011	SPINA A SCATTO D.9 ZN

PLUG BOLT
PLUG ROUND Ø28 L.194 1 HOLE Ø10,5
ASY. SUBFRAME MSD COMBI
LOCK PIN D.9 GV

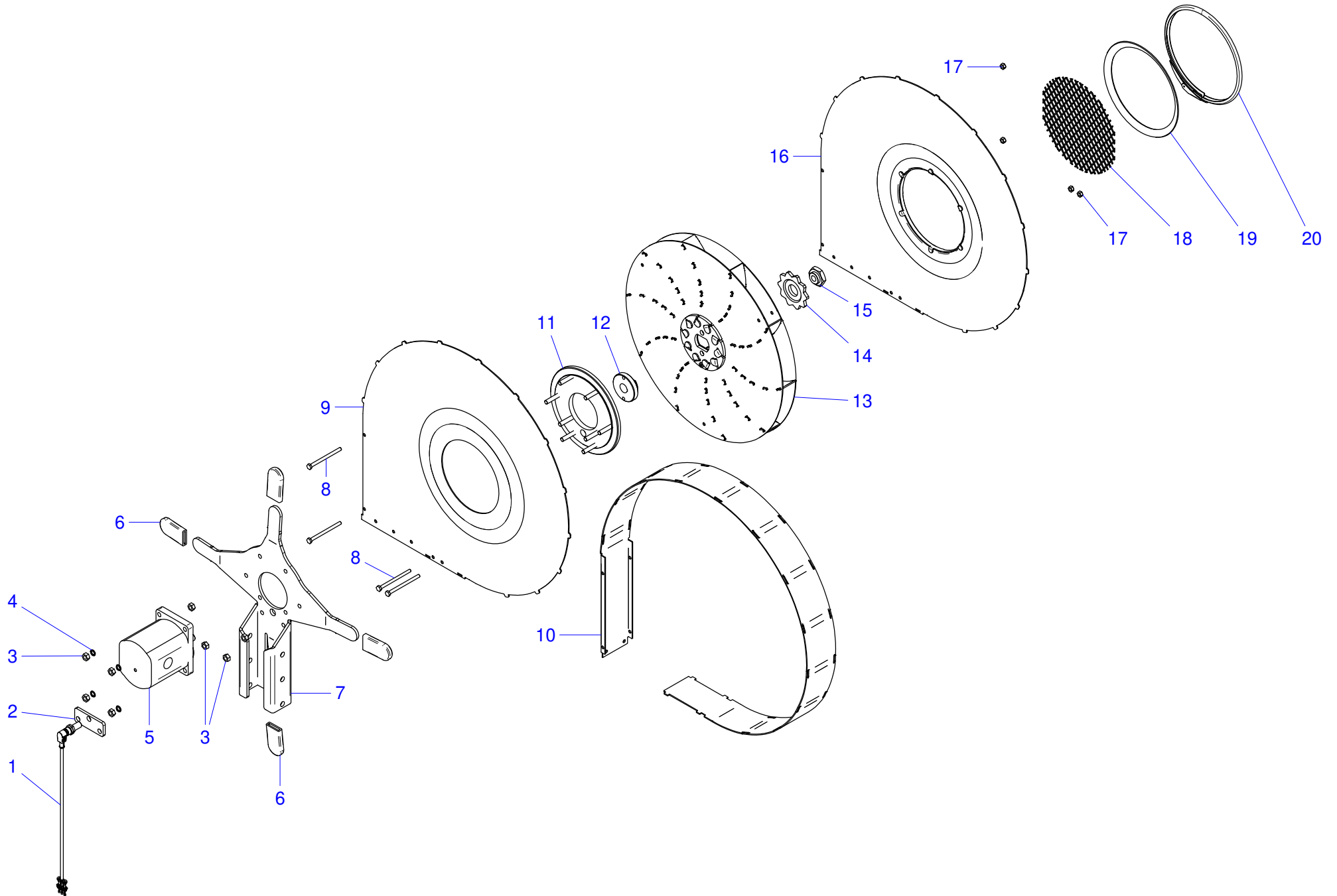


TAV.24-010-00 Gruppo ventola 2 uscite MSD 2.0 COMBI 300

TAV.24-010-00 Fan group 2 outputs MSD 2.0 COMBI 300

MaterMacc
an ARBOS Company

Pos.	Codice	ITA	ENG
1	52114522	VITE TE M10x110 ZN 5737	HEX CAP SCREW 10x110 EN ISO 4014
2	56111020	"NIPPLE 1/2" GAS"	"NIPPLE 1/2" GAS"
3	56144043	"RONDELLA BONDED SEAL 1/2" AUTOC."	"WASHER BONDED SEAL 1/2"
4	42405033	LAM. STAZIONAMENTO TUBI MSD COMBI	SHEET PLACE TUBE MSD COMBI
5	40284562	BOCCOLA CIL. DE20 DI12.5 L.71	BUSHING
6	42406000	CONVOGLIATORE TUBI TRASP. ARIA MSD	CONVEYOR
7	52131344	VITE AF TCB+ 3,9 x 9,5 A2 6954	CROSS RECESSED PAN HEAD TAPPING SCREW 3,9 x 9,5 A2 6954
8	42406006	TUBO INNESTO SPIRALATO VENTOLA MSD	TUBE
9	55301622	TAPPO A LAMELLE PER TUBO D. 45 VS. CODICE 320 GL 45	#N/D
10	52212500	DADO M10 UNI5588 ZN	HEX NUT M10 ZN 5588

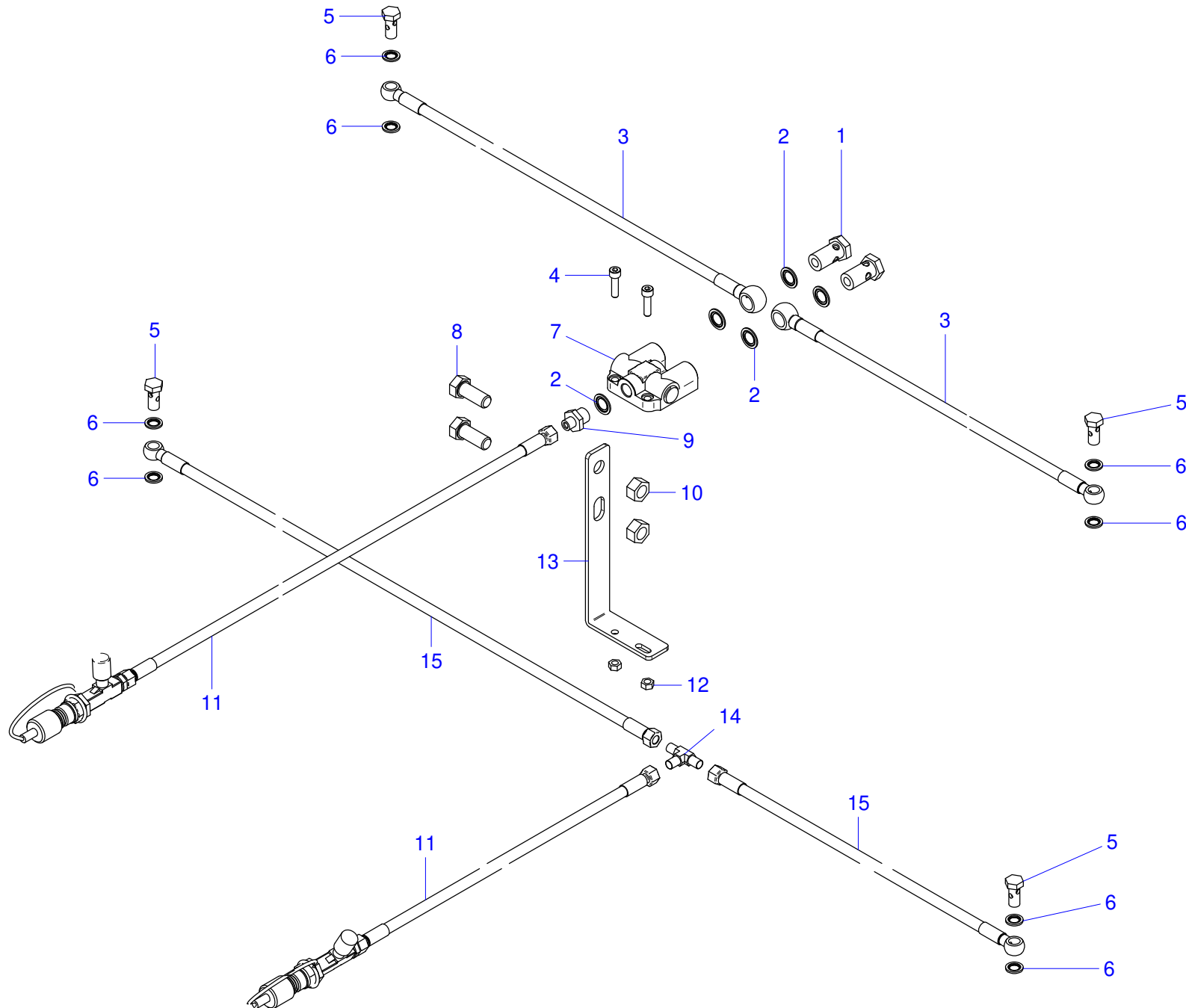


TAV.24-012-00 Ventola MSD 2.0 COMBI 300 - 350 - 400

TAV.24-012-00 Blower MSD 2.0 COMBI 300 - 350 - 400

MaterMacc
an ARBOS Company

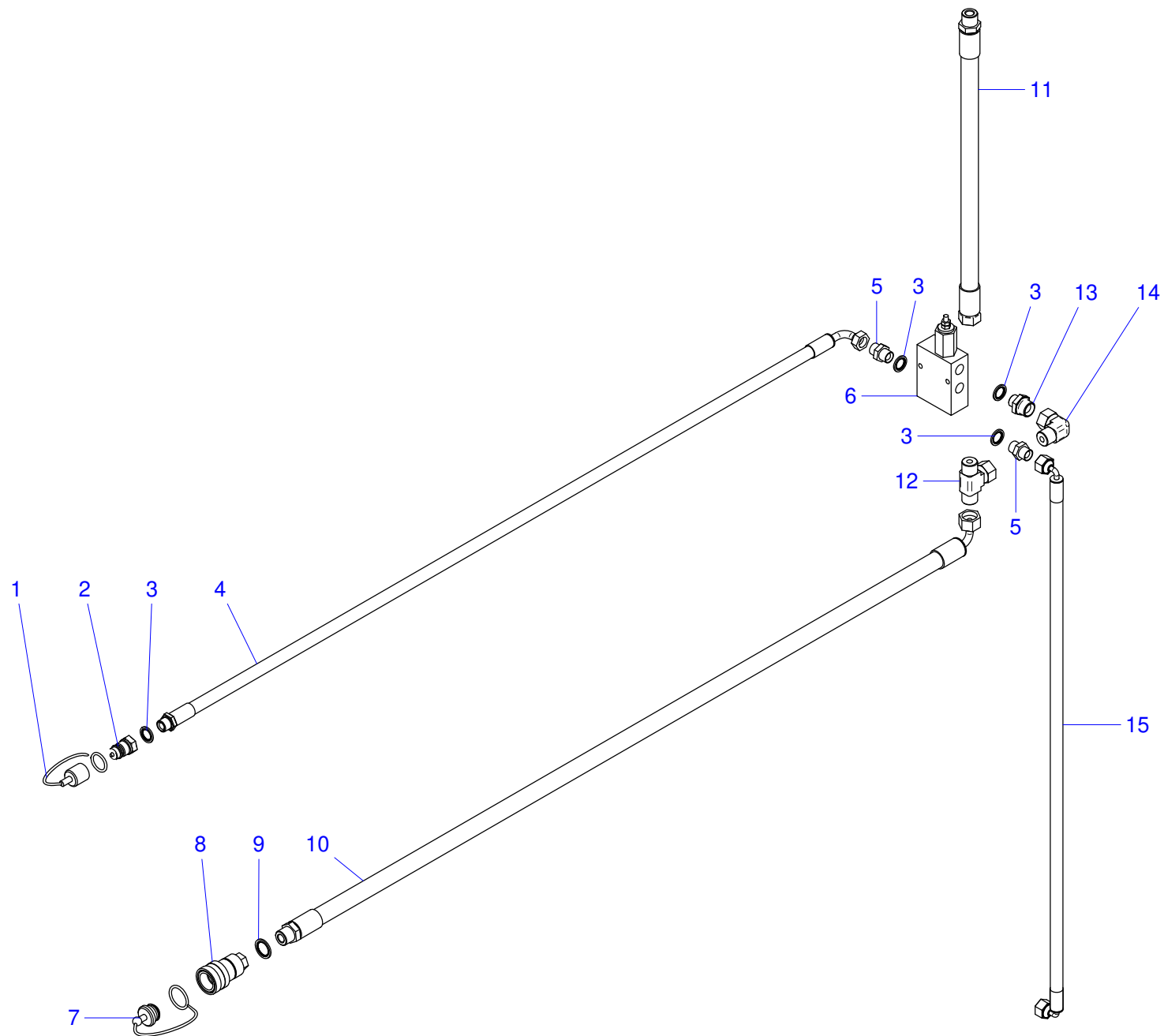
Pos.	Codice	ITA	ENG
1	20901059	SENSORE MAGNETICO STATICO CON CAVO E CONNETTORE	STATIC MAGNETIC SENSOR WHIT CABLE AND CONNECTOR
2	40296248	SCONTRIO SUPPORTO MOTORE IDR. ALM2BK1	SUPPORT
3	52212400	DADO M8 UNI5588 ZN	NUT M8 DIN 934 GV
4	52365008	RONDELLA GROWER D8 ZN 7980	WASHER
5	56201061	MOTORE ALM2BK1-D-12-8/9-N/15-VN-T-T5	MOTOR
6	55301790	MANOPOLA RETT. PIATTA FINE ROTONDA 30x4 L.100 GIALLO	KNOB FLAT END ROUND 30x4 L.100 YELLOW
7	40296241	SUPPORTO MOTORE IDR. ALM2BK1 GIRANTE Ø440	
8	52114317	VITE TE 6X85 ZN 5737	HEX HEAD BOLT 6x 85 UNI 5737
9	40296260	GUSCIO DEPRESSORE LATO ALBERO SERIE 10-B	SHELL
10	40296264	ANELLO ESTERNO DEPRESSORE L=70 GIRANTE Ø440 SERIE 10-B	RING
11	30206242	ASS. FLANGIA INTERNA CON VITI	PLATE
12	40206243	MOZZO FISSAGGIO GIRANTE Ø440 CON MOTORE IDR. ALM2BK1	HUB
13	30206210	ASSIEME GIRANTE D.440	PULLEY
14	40286217	RONDELLA SPECIALE PER ALBERO GIRANTE D.440	WASHER
15	40296244	DADO ES.36 M14x1,5	NUT
16	30296262	ASS. GUSCIO DEPRESSORE LATO COLLETTORE SERIE 10-B	#N/D
17	52252300	DADO M6 DIN980 ZN (AUTOB.)	LOCK NUT M 6 ZN DIN 980
18	40206290	GRIGLIA DI PROTEZIONE Ø 210 DEPRESSORE	GRID
19	40286279	ANELLO FISSAGGIO COLLETTORE A Y Ø110-Ø130	RING
20	56433100	COLLARE CHIUSURA TESTA DI DISTRIBUZIONE Ø210	COLLAR



KIT TUBI 22401012

TAV.24-020-00 Impianto Idraulico segnafila MSD 2.0 COMBI 300
TAV.24-020-00 Hydraulic line marking system MSD 2.0 COMBI 300

Pos.	Codice	ITA	ENG
1	56151015	"BULLONE FORATO 1/2"" GAS"	PERFORATED BOLT
2	56144050	RONDELLA BONDED SEAL M18	WASHER BONDED SEAL M18
3	30200098	"TUBO IDR.R7 1/4"" L.1285 OCCH.DIR.M18+OCCH.DIR.1/4"""	TUBE
4	52124406	VITE TCEI M8x30 ZN 5931	SCREW TCEI 8X30 GV 5931
5	56151005	"BULLONE FORATO 1/4"" GAS"	BANJO BOLT SINGLE STEM
6	56144041	RONDELLA BONDED SEAL 1/4" AUTO.	WASHER BONDED SEAL 1/4"
7	56200017	BLOCCO VALVOLA INVERSIONE IDRAULICA	HYDRAULIC VALVE REVERSAL
8	52115808	VITE TE 16X40 A2 5739	SCREW TE 16X40 A2 5739
9	56111250	NIPPLE RIDOTTO 1/4 - M18X1,5	RESTRICTOR 1/4 - M18X1,5
10	52212800	DADO M16 UNI5588 ZN	NUT M16 UNI 5588 GV
11	20201235	"TUBO IDR R7 1/4"" L1500 F 1/4""D +INNESTO RAP1/2""M REG.UNID.1/"	"HOSE ASSEMBLY 1/4""x1500mm WITH
12	52212400	DADO M8 UNI5588 ZN	NUT M8 DIN 934 GV
13	42407075	LAM. FISSAGGIO VALVOLA SEGNAFILE MSD COMBI	SHEET FIX VALVE ROWMARKER MSD COMBI
14	56131001	"RACCORDO A ""T"" M+M+M 1/4 GAS"	T JOINT M+M+M 1/4 GAS
15	30200097	"TUBO IDR. R7 1/4"" L.1085 F 1/4""DIR+OCCH.DIR.1/4"""	TUBE



TAV.24-024-00 Impianto idraulico MSD 2.0 COMBI 300 - 350 - 400

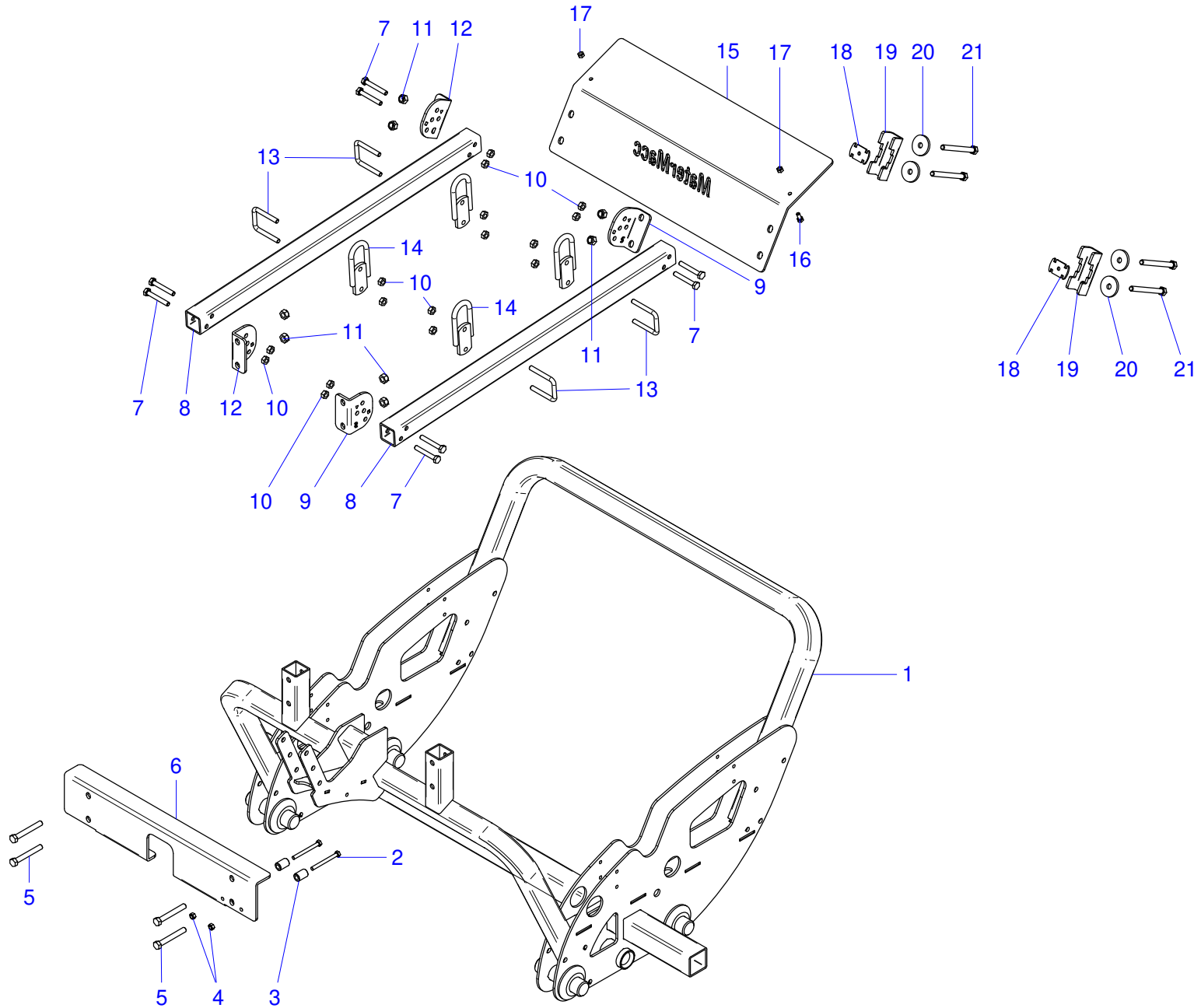
TAV.24-024-00 Hydraulic system MSD 2.0 COMBI 300 - 350 - 400

MaterMacc
an ARBOS Company

Pos.	Codice	ITA	ENG
1	56152080	"TAPPO FEMMINA PVC ROSSO 1/2""	"ANTI DUST CAP RED 1/2""
2	56191001	"INNESTO RAPIDO MASCHIO 1/2"" G."	"QUICK COUPLER 1/2"" GAS"
3	56144043	"RONDELLA BONDED SEAL 1/2"" AUTOC."	"WASHER BONDED SEAL 1/2""
4	30200012	"TUBO IDR. R2AT 1/2"" L.1600 F. 1/2"" 90° GIR + M 1/2"" DIR"	"HIDRAULIC TUBE 1/2"" R2AT L.1600"
5	56111020	"NIPPLE 1/2"" GAS"	"NIPPLE 1/2"" GAS"
6	56201002	"VALVOLA REGOL. PRESSIONE 1/2"" VRPRLU12 TAB 27.12"	VALVE
7	56152087	"TAPPO MASCHIO PVC 3/4""	"PVC MALE LINER 3/4 ""
8	56191004	"ATTACCO RAPIDO FEMMINA DA 3/4""	"3/4 ""FEMALE QUICK ATTACK"
9	56144044	"RONDELLA BONDED SEAL 3/4"" AUTOC."	"WASHER BONDED SEAL 3/4""
10	30200013	"TUBO IDR. R4 3/4"" L.1600 F.3/4"" 90° GIR + M. 3/4"" DIR. (RITORNO)"	"HIDRAULIC TUBE 3/4"" R2AT L.1600"
11	30200031	"TUBO IDR. R4 3/4"" L.600 F.3/4"" DIR. GIR + F. 3/4"" DIR. (RITORNO)"	"HIDRAULIC TUBE 3/4"" L.600"
12	56131022	"RACCORDO A ""T"" M3/4""+F3/4""GIR+M3/4""- MFGMG12"	JOINT
13	56111235	NIPPLO RIDOTTO 3/4-1/2 G	NIPPLE
14	56131068	"RACCORDO A 90° M-F.GIR 3/4"" MFG90CG12"	JOINT
15	30200096	"TUBO IDR. R2AT 1/2"" L.1110 F. 1/2"" 90° GIR. + F. 1/2"" 90° GIR."	"IDRAULYC TUBE R2AT 1/2"" L.1110 F.1/2"" 90° GIR.+F.1/2 90° GIR."

TAV.29-009-00 Telaio serbatoio MSD 2.0 COMBI 300 - 350 - 400

TAV.29-009-00 Tank frame MSD 2.0 COMBI 300 - 350 - 400

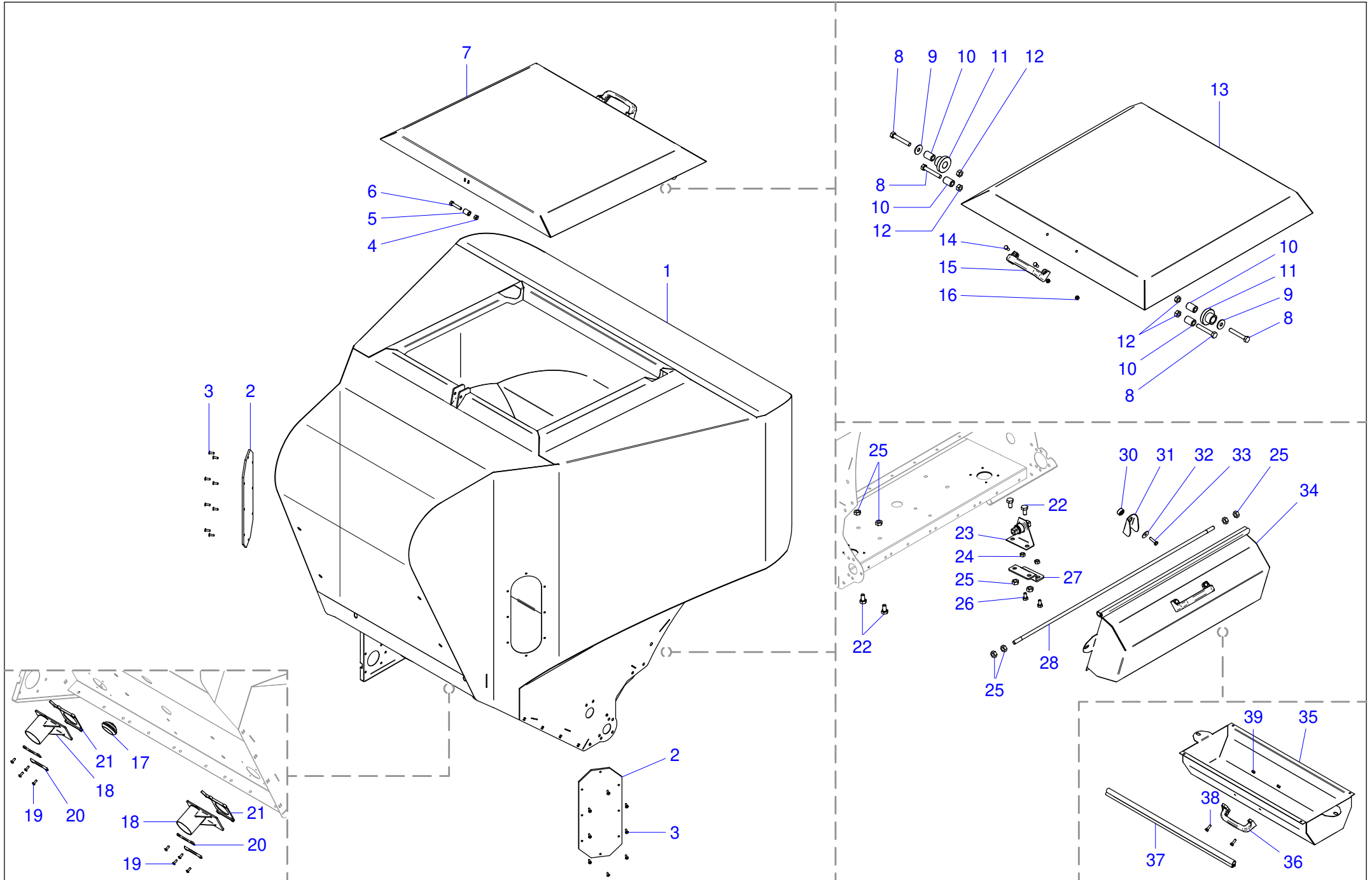


TAV.29-009-00 Telaio serbatoio MSD 2.0 COMBI 300 - 350 - 400

TAV.29-009-00 Tank frame MSD 2.0 COMBI 300 - 350 - 400

MaterMacc
an ARBOS Company

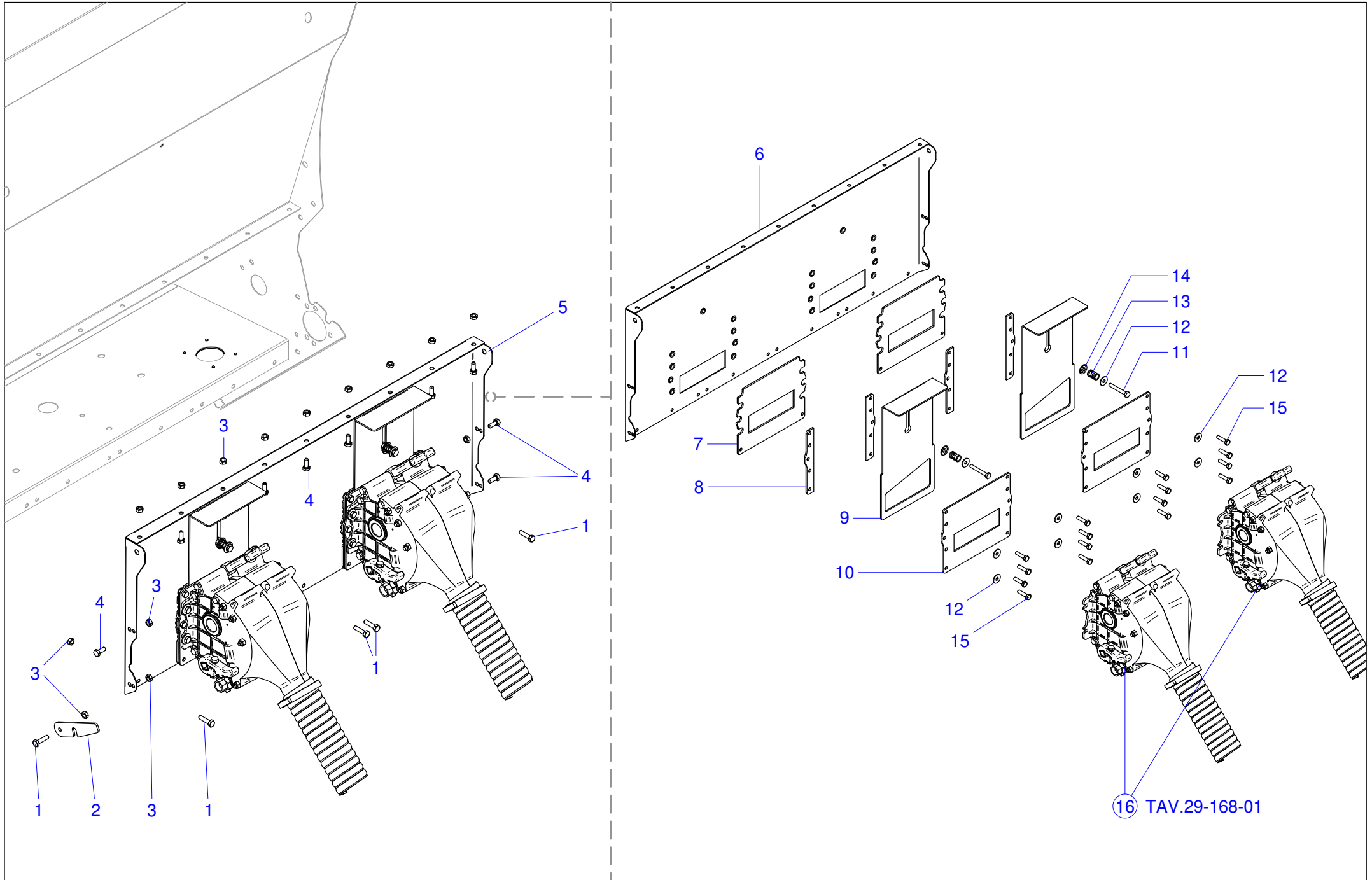
Pos.	Codice	ITA	ENG
1	32401040	ASS CULLA SERBATOIO MSD COMBI	ASY. CREDLE TANK MSD COMBI
2	52113420	VITE TE 8X100 ZN 5739	HEX HEAD BOLT 8x 100 UNI 5739
3	40582428	BOCCOLA CIL DE20.0 DI11.0 L.30	BUSHING
4	52252400	DADO M8 DIN980 ZN (AUTOB.)	LOCK NUT M 8 DIN 980
5	52113618	VITE TE 12X90 ZN 5739	HEX HEAD BOLT 12x 90 UNI 5739
6	42404066	LAM. POSIZIONAMENTO ANT. SERB. MSD 2.0	SHEET POSITION FRONT TANK MSD 2.0
7	52113514	VITE TE 10X70 ZN 5739	HEX HEAD BOLT 10x 70 UNI 5737
8	42404043	TUBO 50x50 INTERNO SERBATOIO MSD	TUBE 50x50 INTERNAL TANK MSD 2.0
9	42404049	LAM. SX FISSAGGIO TUBI SERBATOIO MSD 2.0	SHEET LX FIX TUBE TANK MSD 2.0
10	52212500	DADO M10 UNI5588 ZN	HEX NUT M10 ZN 5588
11	52252600	DADO M12 DIN980 ZN (AUTOB.)	LOCK NUT M12 DIN 980 GV
12	42404048	LAM. DX FISSAGGIO TUBI SERBATOIO MSD 2.0	SHEET RX FIX TUBE TANK MSD 2.0
13	52182525	CAVALLOTTO M10X35Q 51 L 75	U BOLT M10X35Q 51 L75
14	30294765	ASS. GANCIO SOLLEVAM. INTER.61	LOADING HOOK
15	42404068	LAM. POSIZIONAMENTO POST. SERB. MSD 2.0	SHEET POSITION REAR TANK MSD 2.0
16	52113404	VITE TE M8x20 ZN 5739	HEX CAP SCREW 8X20 UNI 5739 GV
17	52212400	DADO M8 UNI5588 ZN	NUT M8 DIN 934 GV
18	42404065	LAM. ANTIFLESSIONE TUBO 50x50 MSD COMBI	SHEET ANTEFLEXION PIPE 50x50 MSD COMBI
19	42404067	LAM. FISSAGGIO SERB. MSD COMBI	SHEET FIX TANK MSD COMBI
20	40294165	RONDELLA DE.50 DI.13 SP.6	LARGE FLAT WASHER
21	52113624	VITE TE 12X120 ZN 5739	HEX HEAD BOLT 12x120 UNI 5739



TAV.24-030-00 Serbatoio MSD 2.0 COMBI 300 - 350 - 400

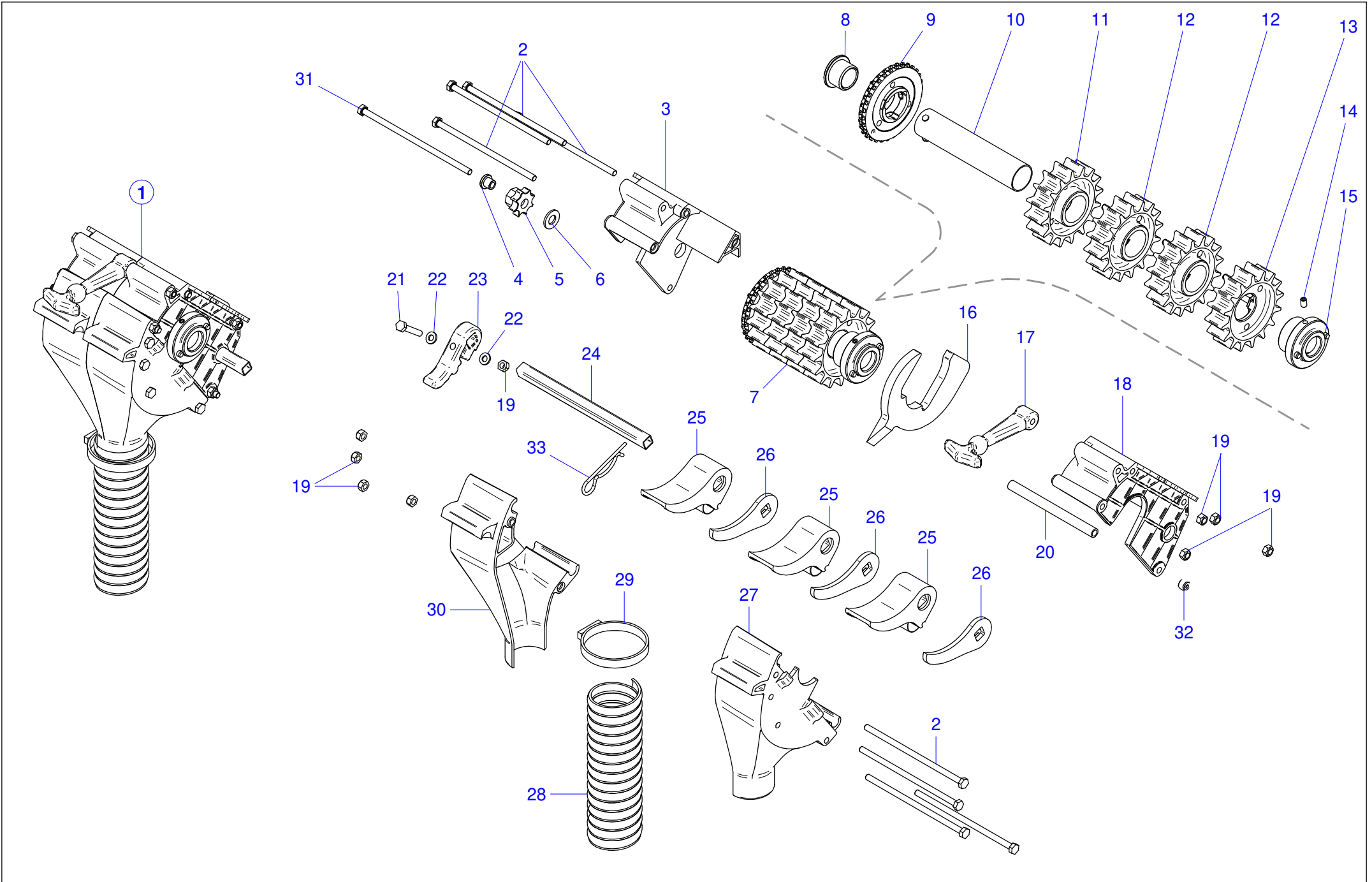
TAV.24-030-00 Tank MSD 2.0 COMBI 300 - 350 - 400

Pos.	Codice	ITA	ENG
1	32404006	ASS. SERBATOIO MSD 2.0	ASY. TANK MSD 2.0
2	40204724	FINESTRA DI CONTROLLO 340X140	CONTROL OF WINDOWS
3	52511514	RIVETTO A STRAPPO AL D4,8x14	POP RIVET AL D4,8x14
4	52252400	DADO M8 DIN980 ZN (AUTOB.)	LOCK NUT M 8 DIN 980
5	42404062	BOCCOLA CIL DE 15 DI 8.5L. 21	BUSH DE 15 DI 8.5 L.21
6	52113408	VITE TE M8x40 ZN 5739	HEX CAP SCREW 8X40 GV EN ISO 4017
7	22404002	ASS.COPERCHIO SERBATOIO MSD 2.0	ASY. COVER TANK MSD 2.0
8	52113513	VITE TE 10X65 ZN 5739	SCREW TE 10-
9	52325030	RONDELLA GREMBIALINA D10x30 ZN 6593	WASHER D10x30 ZN 6593
10	40582428	BOCCOLA CIL DE20.0 DI11.0 L.30	BUSHING
11	42404058	BOCCOLA SCORRIMENTO COPERCHIO SERB. MSD 2.0	BUSH SLIDE COVER TANK MSD 2.0
12	52212500	DADO M10 UNI5588 ZN	HEX NUT M10 ZN 5588
13	32404001	ASS. COPERCHIO SERBATOIO MSD 2.0	ASY. COVER TANK MSD 2.0
14	52113303	VITE TE M6x16 ZN 5739	HEX CAP SCREW 6X16 GV 5739
15	50202235	MANIGLIA SERBATOIO GRANO	BUSHING
16	52212300	DADO M6 UNI5588 ZN	HEX NUT M6 DIN 934 GV
17	59410115	PASSACAVO D.32	FAIRLEAD
18	54204094	BOCCA SCARICO Ø50	DRAIN Ø50
19	52511414	RIVETTO A STRAPPO AL D3,8x14	RIVET D3,8X14
20	54204093	FERMO GUIDA BOCCA SCARICO	STOP FOR DRAIN
21	54204095	GUIDA BOCCA SCARICO Ø50	GUIDE
22	52113504	VITE TE M10x20 ZN 5739	HEX CAP SCREW 12x50 GV EN ISO 4017
23	20203098	MONT. SUPPORTO ASSE TRASM. SPANDI/MICRO	"COMMON FERTILIZER/INSECTICIDE
24	52212400	DADO M8 UNI5588 ZN	NUT M8 DIN 934 GV
25	52212500	DADO M10 UNI5588 ZN	HEX NUT M10 ZN 5588
26	52113403	VITE TE M8x16 ZN 5739	HEX CAP SCREW 8X16 GV EN ISO 4017
27	42403030	LAM FISSAGGIO SUPP. AGITATORE MSD 2.0	SHEET FIX SUPP. SHAKER MSD 2.0
28	52172568	TIRANTE RUL M10X30/30 L835 ZN (ACCIAIO 8,8)	STUD M10X30/30 L835 ZN
30	40484786	BOCCOLA SCL DE20 DI 6,5 L.21 SCL 3 D12	BUSHING
31	40494780	FERMO VASCHETTE PROVA IN BIANCO GRANO	DETENTION BASIN
32	52323024	RONDELLA GREMBIULINA D 6X24 ZN 6593	FLAT WASHER D 6X24 ZN 6593
33	52113305	VITE TE M6x25 ZN 5739	HEX CAP SCREW 6X25 GV 5739
34	22408081	MONT. VASCHETTA PROVA IN BIANCO MSD 2.0	MOUT. TANK TEST MSD 2.0
35	42408082	LAM. VASCHETTA PROVA IN BIANCO MSD 2.0	SHEET BATH TEST IN WHITE MDS 2.0
36	50202235	MANIGLIA SERBATOIO GRANO	BUSHING
37	73903027	PROFILO COPRIBORDO CON CAMERA	COVERING
38	52113304	VITE TE M6x20 ZN 5739	HEX CAP SCREW 6X20 5739 GV
39	52212300	DADO M6 UNI5588 ZN	HEX NUT M6 DIN 934 GV



TAV.24-032-00 Fondo serbatoio MSD 2.0 Combi 300
TAV.24-032-00 Tank bottom MSD 2.0 Combi 300

Pos.	Codice	ITA	ENG
1	52113305	VITE TE M6x25 ZN 5739	HEX CAP SCREW 6X25 GV 5739
2	42405013	LAM. FERMO LEVA TASTATORI DIST. MSD	SHEET. BLOCK LEVER PROBE DIST. MSD
3	52212300	DADO M6 UNI5588 ZN	HEX NUT M6 DIN 934 GV
4	52113303	VITE TE M6x16 ZN 5739	HEX CAP SCREW 6X16 GV 5739
5	22405020	MONT. 2 DISTRIBUTORI MSD COMBI	MOUT. 2 DISTRIBUTOR MSD COMBI
6	32405002	MONT. LAMIERA FIS. DISTRIBUTORI MSD COMBI	MOUT. SHEET FIX DISTRIBUTOR MSD COMBI
7	42405019	FISSAGGIO ESCLUSIONE DISTRIBUTORE	FIX EXCLUSION DISTRIBUTOR
8	42405017	GUIDA ESCLUSIONE DISTRIBUTORE	GUIDE EXCLUSION DISTRIBUTOR
9	42405016	LAM. CHIUSURA DISTRIBUTORE	SHEET CLOSE DISTRIBUTOR
10	42405018	FISSAGGIO ESCLUSIONE DISTRIBUTORE	FIX EXCLUSION DISTRIBUTOR
11	52113309	VITE TE M6x45 ZN 5739	HEX HEAD BOLT 6x 45 UNI 5739
12	52323018	RONDELLA GREMBIALINA D 6x18 ZN 6593	WASHER D 6x18 ZN 6593
13	40406708	MOLLA DOSATORE SEME DISTRIBUTORE GRANO	SPRING
14	40406707	RONDELLA DOSATORE SEME DISTRIBUTORE GRANO	WASHER
15	52113305	VITE TE M6x25 ZN 5739	HEX CAP SCREW 6X25 GV 5739
16	22405016	MONT. DISTRIBUTORE MSD	MOUT. DISTRIBUTOR MSD

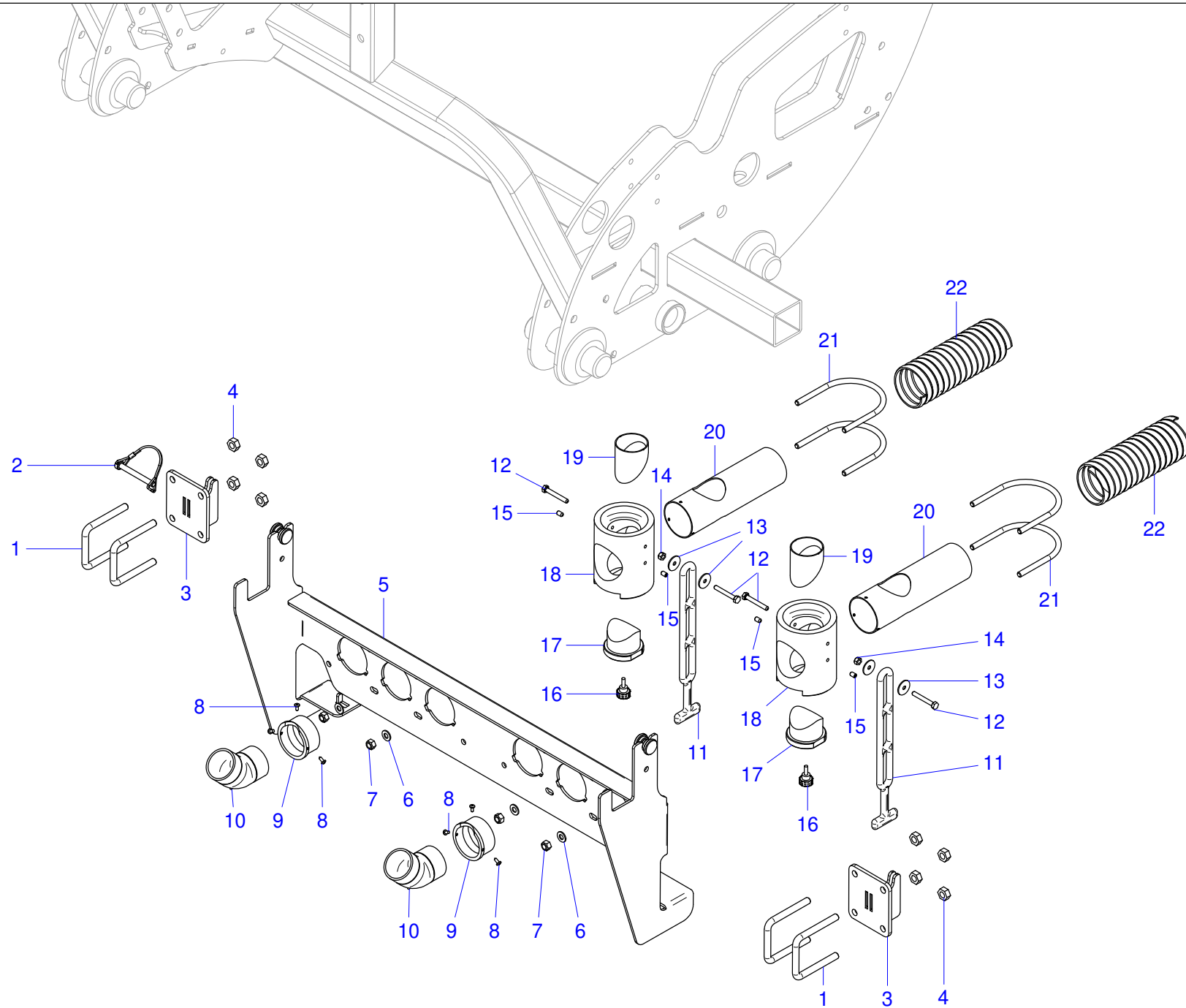


TAV.29-168-01 Distributore

TAV.29-168-01 Distributor

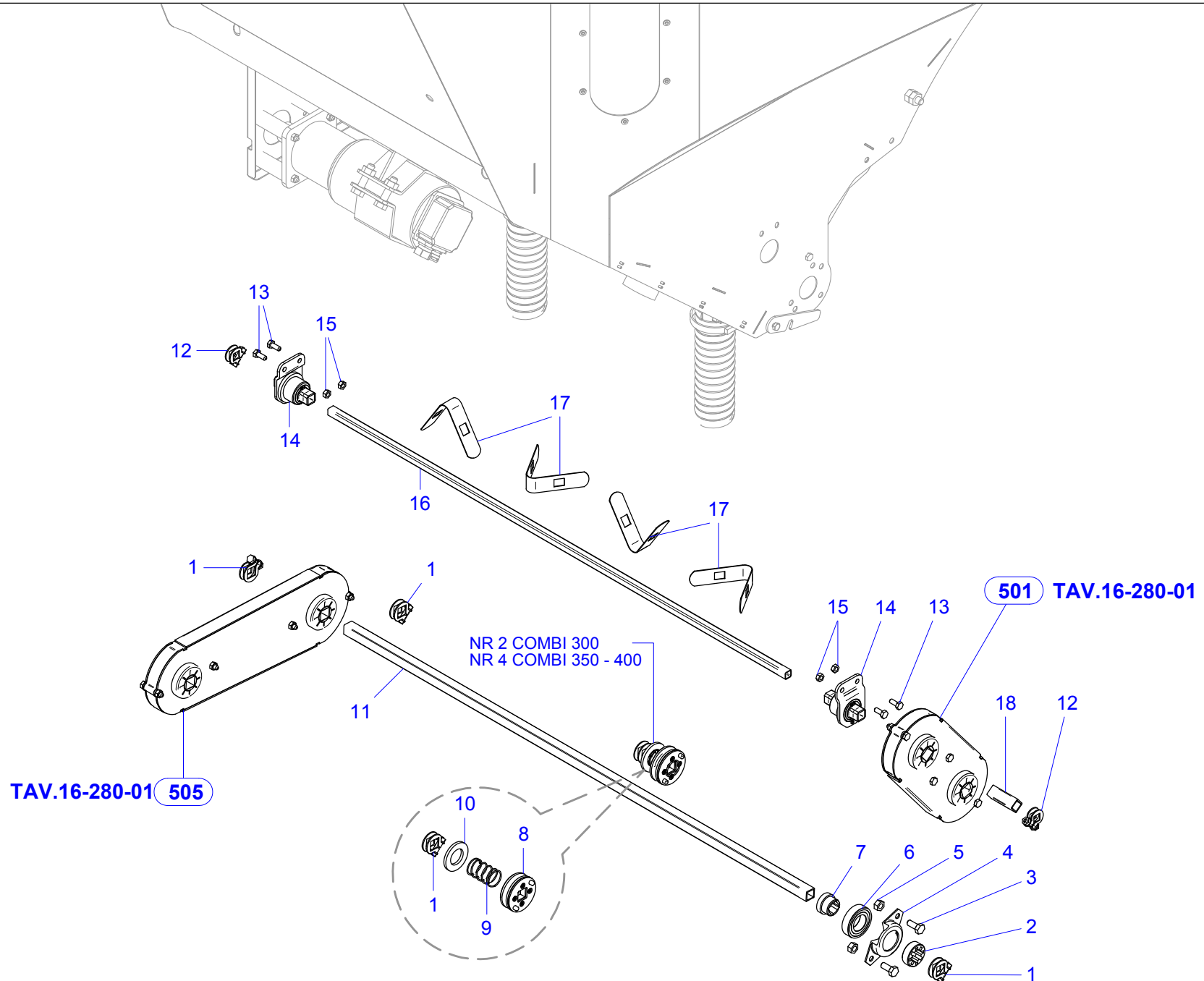
MaterMacc
an ARBOS Company

Pos.	Codice	ITA	ENG
1	22405016	MONT. DISTRIBUTORE MSD	MOUT. DISTRIBUTOR MSD
2	52114328	VITE TE 6X140 ZN 5737	HEX HEAD BOLT 6X140 ZN 5737
3	54405021	CARTER SX CORPO DIST. MSD	CARTER RX BODY DIST. MSD
4	42495000	FERMO REGOLAZIONE TASTATORE DISTRIBUTORE MSD	STILL ADJUSTING PROBE DISTRIBUTOR MSD
5	54405014	RUOTA DX REGOLAZIONE TASTATORE DISTRIBUTORE MSD	WHEEL RX ADJUST PROBE DISTRIBUTOR MSD
6	52325000	RONDELLA PIANA D10 ZN 6592	FLAT WASHER D10 ZN UNI EN ISO 7089
7	22405017	MONT. RULLO DIST. MSD	MOUT. ROLLER DIST. MSD
8	42405025	BOCCOLO CENTR. ASSE DIST. MSD 2.0	BUSH CENTER AXIS DIST. MSD 2.0
9	54405010	RUOTA DENTATA SEMI FINI DISTRIBUTORE MSD	GEAR SEED TILL DISTRIBUTOR MSD
10	42405021	TUBO TRAZIONE DISTRIBUTORE MSD	TUBE TRACTION DISTRIBUTOR MSD
11	22405009	MONT. RULLO SEMI GROSSI PRIMARIO DISTR. MSD	MOUT. ROLLER SEED BIG PRIMARY DIST. MSD
12	22405010	MONT. RULLO SEMI GROSSI SECONDARIO DISTR. MSD	MOUT. ROLLER SEED BIG SECONDARY DIST. MSD
13	22405018	MONT. RULLO SEMI GROSSI TORNITO DISTR. MSD	MOUT. ROLLER SEED BIG TURN DIST. MSD
14	52141510	VITE STEI E.C. 6X10 ZN 5929	SCREW 6X10 ZN 5929
15	32405005	ASS. BOCCOLA TRASM. RULLO DIST. MSD 2,0	ASY. BUSH TRASM. ROLLER DIST. MSD 2,0
16	54405024	SEPARATORE ROCCHETTI DISTRIBUTORE MSD	SEPARATION ROLLER DISTRIBUTOR MSD
17	54405018	TIRANTE CHIUSURA DISTRIBUTORE MSD 2.0	ROD END DISTRIBUTOR MSD 2.0
18	54405020	CARTER DX CORPO DIST. MSD	CARTER RX BODY DIST. MSD
19	52252300	DADO M6 DIN980 ZN (AUTOB.)	LOCK NUT M 6 ZN DIN 980
20	42405001	TUBO DE 10 SP. 1.5 L.122	TUBE
21	52113307	VITE TE M6x35 ZN 5739	HEX CAP SCREW 6X35 EN ISO 4017
22	52323000	RONDELLA PIANA D 6 ZN 6592	FLAT WASHER D 6 ZN 6592
23	54405013	LEVA APERTURA TASTATORE DISTRIBUTORI MSD	OPENING LEVER PROBE DISTRIBUTORS MSD
24	42405010	TUBO 12x12 SP.1.5 L.161 FORO Ø3	TUBE
25	22405007	MONT. TASTATORE DISTR. MSD	MOUT. PROBE DIST. MSD
26	54405004	SPESSORE TASTATORE DISTRIBUTORE MSD	THICKNESS PROBE DISTRIBUTOR MSD
27	54405022	CARTER DX DISTRIBUTORE MSD	CARTER RX DISTRIBUTOR MSD
28	78325025	SPIRAL HOSE D.50 L=250	SPIRAL HOSE D.50 L=250
29	56433005	FASCETTA W2 D50-70/12	CLAMP W2 D50-70/12
30	54405023	CARTER SX DISTRIBUTORE MSD	CARTER LX DISTRIBUTOR MSD
31	52114330	VITE TE 6X160 ZN 5737	
32	52242300	DADO AUTOB. M 6 ZN DIN 982	NUT M 6 ZN DIN 982



TAV.24-036-00 Innessi distribuzione seme MSD 2.0 COMBI 300
TAV.24-036-00 Seed distribution grafting MSD 2.0 COMBI 300

Pos.	Codice	ITA	ENG
1	52182546	CAVALLOTTO M10X30 Q61 L.82 ZN	U-BOLT M10X30 Q61 L.82 ZN (vs cod 31021060)
2	52440020	SPINOTTO PER MOTOZAPPA Ø8 L.80	PIN
3	32406001	ASS. SUPPORTO BICC. ASP. MSD COMBI	ASY. SUPPORT GLASS ASP. MSD COMBI
4	52212500	DADO M10 UNI5588 ZN	HEX NUT M10 ZN 5588
5	32406003	ASS. SUPPORTO TUBI MSD COMBI	ASY. SUPPORT TUBE MSD COMBI
6	52324000	RONDELLA PIANA D 8 ZN 6592	FLAT WASHER D 8 GV UNI EN ISO 6592
7	52252400	DADO M8 DIN980 ZN (AUTOB.)	LOCK NUT M 8 DIN 980
8	52131344	VITE AF TCB+ 3,9 x 9,5 A2 6954	CROSS RECESSED PAN HEAD TAPPING SCREW 3,9 x 9,5 A2 6954
9	42406001	BOCCOLA FISSAGGIO CURVE TRASP. ARIA MSD	BUSH FIXING L PIPE FOR MSD AIR CIRCUIT
10	42406015	CURVA PE 50 mm 45° Vs. Cod. 361.045.16.1	L JUNCTION PE 50 mm 45°
11	50202209	BOCCOLA CON FLANGIA	FLANGED BUSHING
12	52113309	VITE TE M6x45 ZN 5739	HEX HEAD BOLT 6x 45 UNI 5739
13	52323024	RONDELLA GREMBIULINA D 6X24 ZN 6593	FLAT WASHER D 6X24 ZN 6593
14	52252300	DADO M6 DIN980 ZN (AUTOB.)	LOCK NUT M 6 ZN DIN 980
15	52141510	VITE STEI E.C. 6X10 ZN 5929	SCREW 6X10 ZN 5929
16	52100009	VOLANTINO D.20 M5 x 15	#N/D
17	42406026	TAPPO BICCHIERE MSD COMBI	CAP GLASS MSD COMBI
18	42406025	TUBO INNESTO ASPIRAZIONE MSD	TUBE PLUG INLET MSD
19	42406003	TUBO ASPIRAZIONE MSD	ASPIRATION MSD PIPE
20	42406027	TUBO 200 ARIA-SEME MSD	TUBE 200 AIR-SEED MSD
21	52185428	CAVALLOTTO M8x30 T92 SV.285 ZN	U-BOLT M8x30 T92 SV.285 ZN
22	78326025	TUBO SPIRALATO D60 (EOLO PU)	FLEXIBLE GREY HOSE D.60

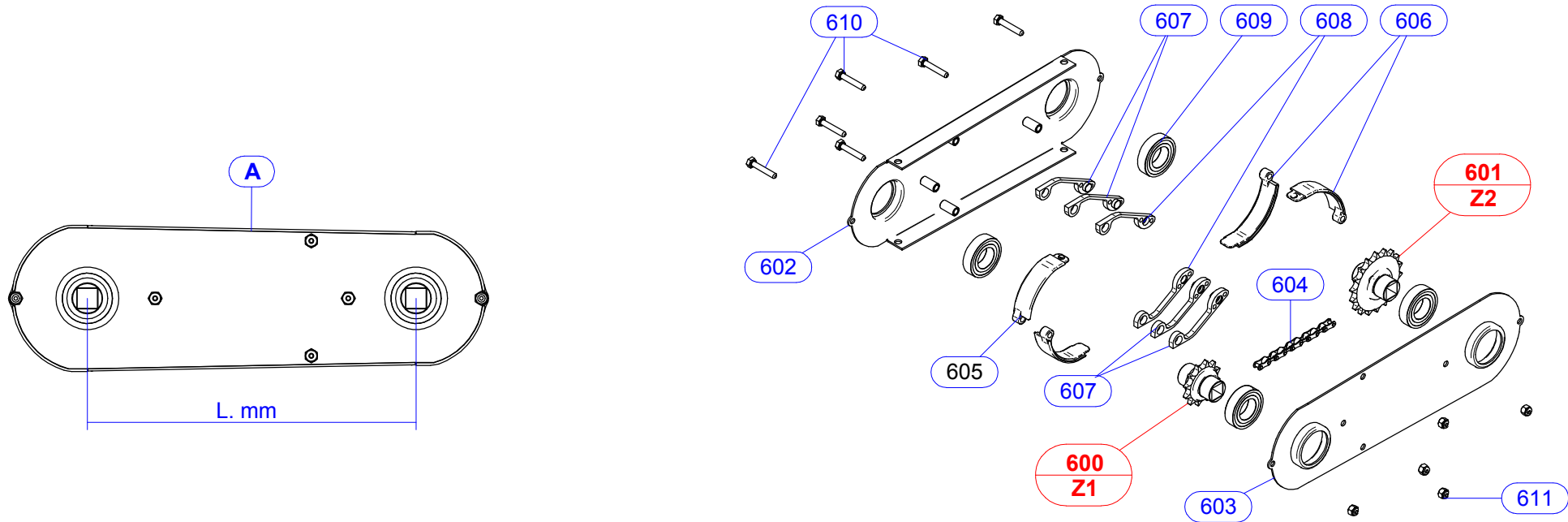


TAV.24-040-01 Trasmissione MSD 2.0 COMBI 300 - 350 - 400
TAV.24-040-01 Transmission MSD 2.0 COMBI 300 - 350 - 400

Pos.	Codice	ITA	ENG
1	20203034	MONT. FERMO ASSIALE QUADRO 16x16	METAL CLAMP (SQUARE 16X16)
2	54202053	GUIDA CERCHI RUOTA COMPRESS.	CLOSING WHEEL LOCATOR
3	52113404	VITE TE M8x20 ZN 5739	HEX CAP SCREW 8X20 UNI 5739 GV
4	40283206	SUPP. CUSCINETTO 6005 DI 47 IN LAMIERA	BEARING SUPPORT
5	52212400	DADO M8 UNI5588 ZN	NUT M8 DIN 934 GV
6	51160054	CUSCINETTO 6005 2RS 25x47x12	BEARING 6005 2RS 25x47x12
7	40283247	BOCCOLA SCL DE30,0 DI18,0 L.20 SCL12,0 D25 QUADRO 16,4	BUSHING
8	22405019	MONT. BOCCOLA TRASMISSIONE MSD	MOUT. BUSH TRASM. MSD
9	55113010	MOLLA COMP. F.1,5 DE26 L.43	SPRING COMP. F.1,5 DE 26 L.43
10	52329024	RONDELLA PIANA D24 ZN 6592	WASHER D24 ZN 6592
11	41005612	TUBO QUADRO INOX 16x16x1.5 L.950	STAINLESS STEEL TUBE 16x16x1.5 L.950
12	20203032	MONT. FERMO ASSIALE QUADRO 12X12	METAL CLAMP (SQUARE 12X12)
13	52115303	VITE TE M6x16 A2 UNI5739	HEX CAP SCREW M 6 X 16 A2 UNI5739
14	20403061	MONT. PASSAGGIO ASSE PARETE 12X12	AXLE ASSEMBLY
15	52213300	DADO M 6 A2 5588	NUT M 6 A2 5588
16	41005559	TUBO QUADRO INOX 12x12x1 L 925	STAINLESS STEEL TUBE 12x12x1 L.925
17	40404751	PALETTA AGITATORE	AGITATOR
18	41005601	TUBO QUADRO INOX 16x16x1.5 L 48	SQUARE TUBE INOX 16x16x1 L 48
501	20353103	MONT. CARTER TRASM. L.127 CUSC. D.47 Z18-Z18	TRANSMISSION L127 Z18-Z18
505	20353110	MONT. CARTER TRASM. L.266,7 CUSC.D.47 Z18-Z18	TRANSMISSION L.266,7 Z18-Z18

TAV.16-280-01 Rinvii Trasmissione catena 1/2" x 5/16"

TAV.16-280-01 Return transmission chain 1/2 "x 5/16"



	A		600 (Z1)	601 (Z2)	602	603	604	605	606	607	608	609	610	611
	CODICE	L. mm												
500	20353102	82.5	30503217	30503217	30353101VB	40353125VB	41103117	54203044	54203043	54203004	54203009	61160054	52113307	52242300
501	20353103	127	30503218	30503218	30353102VB	40353126VB	41103141	54203044	54203044	54203004	54203009	61160054	52113307	52242300
502	20353105	203.2	30503218	30503218	30353103VB	40353127VB	41103132	54203044	54203043	54203004	54203009	61160054	52113307	52242300
503	20353108	260	30503212	30503218	30353105VB	40353129VB	41103135	54203044	54203043	54203004	54203009	61160054	52113307	52242300
504	20353109	266.7	30503212	30503218	30353106VB	40353130VB	41103831	54203044	54203043	54203004	54203009	61160054	52113307	52242300
505	20353110	266.7	30503218	30503218	30353106VB	40353130VB	41103831	54203044	54203043	54203004	54203009	61160054	52113307	52242300
506	20353112	304.8	30503218	30503218	30353107VB	40353131VB	41103141	54203044	54203043	54203004	54203009	61160054	52113307	52242300
507	20353113	304.8	30503212	30503218	30353108VB	40353132VB	41103837	54203044	54203043	54203004	54203009	61160054	52113307	52242300
508	20353114	304.8	30503218	30503218	30353108VB	40353132VB	41103141	54203044	54203043	54203004	54203009	61160054	52113307	52242300
509	20353115	304.8	30503213	30503217	30353108VB	40353132VB	41103837	54203044	54203043	54203004	54203009	61160054	52113307	52242300

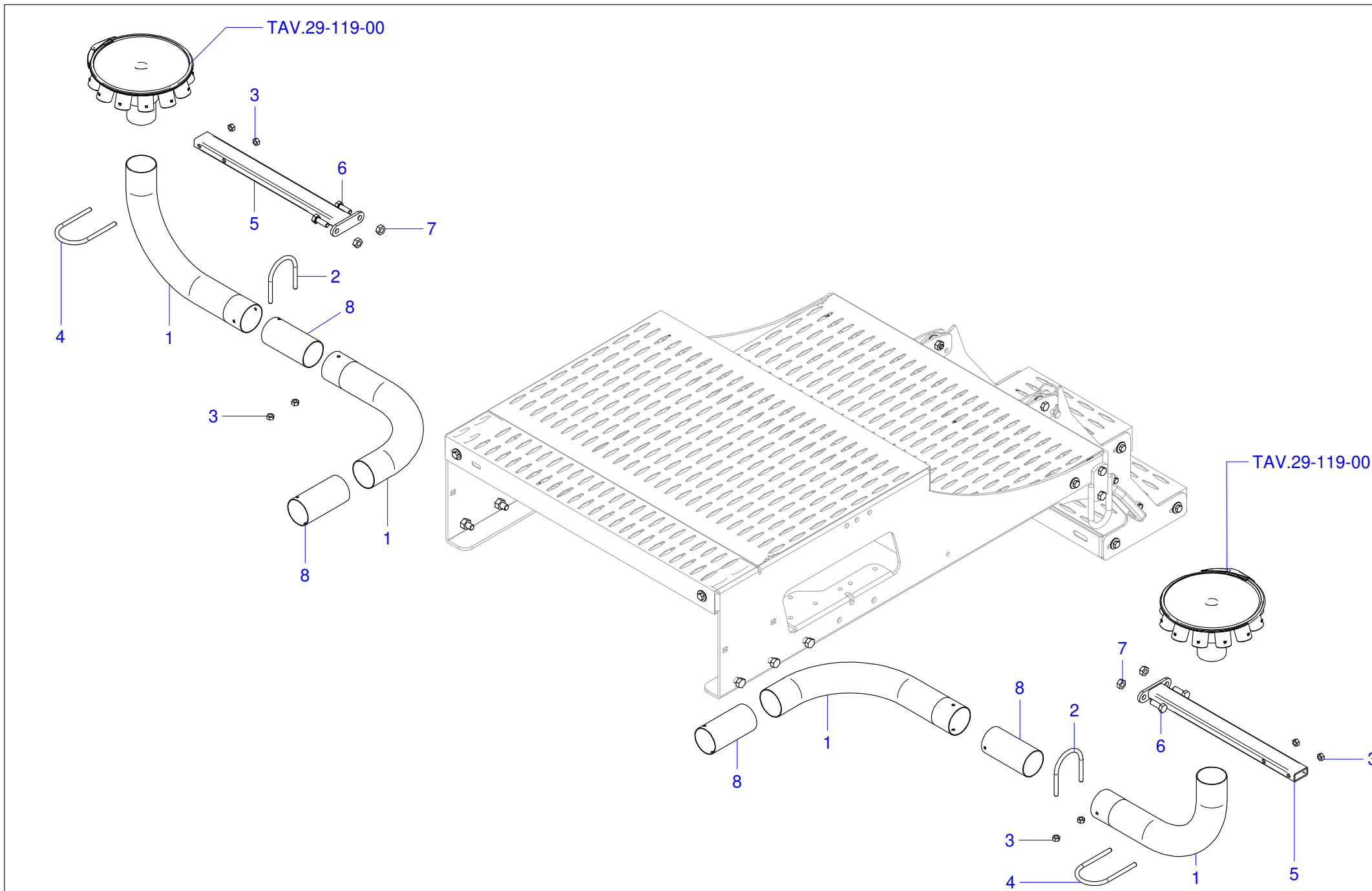
TAV.16-280-01 Rinviì Trasmisione catena 1/2" x 5/16"

TAV.16-280-01 Return transmission chain 1/2 "x 5/16"

Pos.	Codice	ITA	ENG
500	20353102	MONT. CARTER TRASM. L.82,5 CUSC. D.47 Z17-Z17	TRANSMISSION L.82,5 Z17-Z17
501	20353103	MONT. CARTER TRASM. L.127 CUSC. D.47 Z18-Z18	TRANSMISSION L127 Z18-Z18
502	20353105	MONT. CARTER TRAS. L.203,2 CUSC. D.47 Z18-Z18	TRANSMISSION Z18-Z18 L.203,2
503	20353108	MONT. CARTER TRASM. L.260 CUSC. D.47 Z18-Z12	TRANSMISSION L.260 Z18-Z12
504	20353109	MONT. CARTER TRASM. L.266,7 CUSC.D.47 Z12-Z18	TRANSMISSION L.266,7 Z12-Z18
505	20353110	MONT. CARTER TRASM. L.266,7 CUSC.D.47 Z18-Z18	TRANSMISSION L.266,7 Z18-Z18
506	20353112	MONT.CARTER TRAS. L.304,8 CUSC.D.47 Z18-Z18 F.	TRANSMISSION L.304.8 Z18-Z18
507	20353113	MONT.CARTER TRAS. L.304,8 CUSC.D.47 Z12-Z18	TRANSMISSION L.304.8 Z12-Z18
508	20353114	MONT.CARTER TRAS. L.304,8 CUSC.D.47 Z18-Z18	TRANSMISSION L.304.8 Z18-Z18
509	20353115	MONT.CARTER TRAS. L.304,8 CUSC.D.47 Z13-Z17	TRANSMISSION L.304.8 Z13-Z17
600	30503212	"ASS. CORONA Z12 1/2x5/16"" MOZZO PLASTICA"	SPROCKET Z12
600	30503213	"ASS. CORONA Z13 1/2x5/16"" MOZZO PLASTICA"	SPROCKET Z13
600	30503217	"ASS. CORONA Z17 1/2x5/16"" MOZZO PLASTICA"	SPROCKET Z17
600	30503218	"ASS. CORONA Z18 1/2x5/16"" MOZZO PLASTICA"	SPROCKET Z18
601	30503217	"ASS. CORONA Z17 1/2x5/16"" MOZZO PLASTICA"	SPROCKET Z17
601	30503218	"ASS. CORONA Z18 1/2x5/16"" MOZZO PLASTICA"	SPROCKET Z18
602	30353101VB	ASS. CARTER EST. L.82,5 CUSC. D.47	ASY ESXTTERNAL TRANSMISSION L.82.5
602	30353102VB	ASS. CARTER EST. L.127 CUSC. D.47	ASY EXTERNAL TRANSMISSION L.127
602	30353103VB	ASS. CARTER ESTERNO L.203,2 CUSC. D.47	ASY EXTERNAL TRANSMISSION L.203.2
602	30353105VB	ASS. CARTER EST. L.260 CUSC. D.47	ASY EXTERNAL TRANSMISSION L.260
602	30353106VB	ASS. CARTER EST. L.266,7 CUSC. D.47	ASY EXTERNAL TRANSMISSION L,266.7
602	30353107VB	ASS. CARTER ES. L.304,8 CUSC.D.47 FORATO	ASY EXTERNAL TRANSMISSION L.308,8
602	30353108VB	ASS. CARTER ES. L.304,8 CUSC.D.47	ASY EXTERNAL TRANSMISSION L.304,8
603	40353125VB	CARTER INTERNO TRASM. L.82,5 CUSC. D.47	INTERNAL TRANSMISSION L.82.5
603	40353126VB	CARTER INT. TRASM. L.127 CUSC. D.47	INTERNAL TRANSMISSION L.127
603	40353127VB	CARTER INT. TRASM. L.203,2 CUSC. D.47	INTERNAL TRANSMISSION L.203.2
603	40353129VB	CARTER INT. TRASM. L.260 CUSC. D.47	INTERNAL TRANSMISSION L.260
603	40353130VB	CARTER INT. TRASM. L.266,7 CUSC. D.47	INTERNAL TRANSMISSION L.266,7
603	40353131VB	CARTER INT. TRASM. L.304,8 CUSC.D.47 FORATO	INTERNAL TRANSMISSION L.304,8
603	40353132VB	CARTER INT. TRASM. L.304,8 CUSC.D.47	INTERNAL TRANSMISSION L.304,8
604	41103117	ANELLO CAT RULLI 1/2x5/16 RIBATTUTO 30 PASSI L 381	CHAIN LOOP 1/2x5/16
604	41103132	ANELLO CAT RULLI 1/2x5/16 RIBATTUTO 50 PASSI L 682	CHAIN LOOP 1/2x5/16
604	41103135	ANELLO CAT RULLI 1/2x5/16 RIBATTUTO 56 PASSI L 711	CHAIN LOOP 1/2x5/16
604	41103141	ANELLO CAT RULLI 1/2x5/16 RIBATTUTO 66 PASSI L 838	CHAIN LOOP 1/2x5/16
604	41103831	ANELLO CAT RULLI 1/2x5/16 RIBAT+FALSA 57 PASSI L 724	CHAIN LOOP 1/2x5/16
604	41103837	ANELLO CAT RULLI 1/2x5/16 RIBATTUTO+FALSA 63 PASSI L 800	CHAIN LOOP 1/2x5/16
605	54203044	PORTA ISPEZIONE SP.24 R.56	INSPECTION PORT SP.24 R.56
606	54203043	PORTA ISPEZIONE SP.24 R.62	INSPECTION PORT SP.24 R.62
607	54203004	TENDICATENA IN NYLON MASCHIO	MALE PLASTIC CHAIN TENDER
608	54203009	TENDICATENA NYLON FEMMINA (DERIVATO DA 54203004)	CHAIN TENSIONER
609	51160054	CUSCINETTO 6005 2RS 25x47x12	BEARING 6005 2RS 25x47x12
610	52113307	VITE TE M6x35 ZN 5739	HEX CAP SCREW 6X35 EN ISO 4017
611	52242300	DADO AUTOB. M 6 ZN DIN 982	NUT M 6 ZN DIN 982

TAV.24-044-00 Supporti testate distribuzione MSD 2.0 COMBI 300

TAV.24-044-00 Supports tested distribution MSD 2.0 COMBI 300

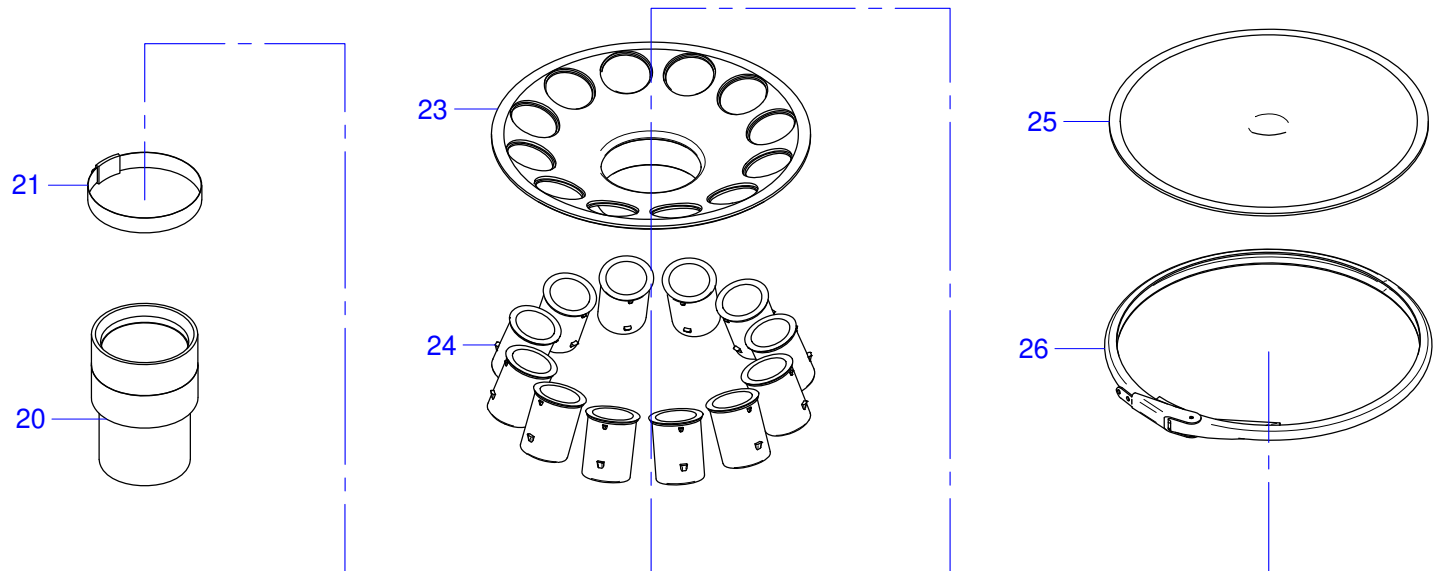
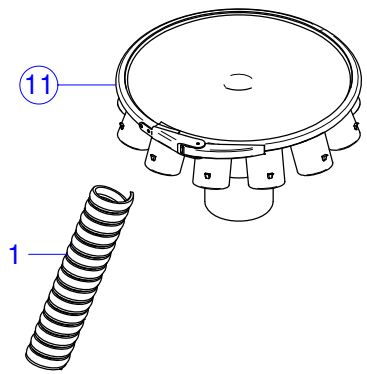
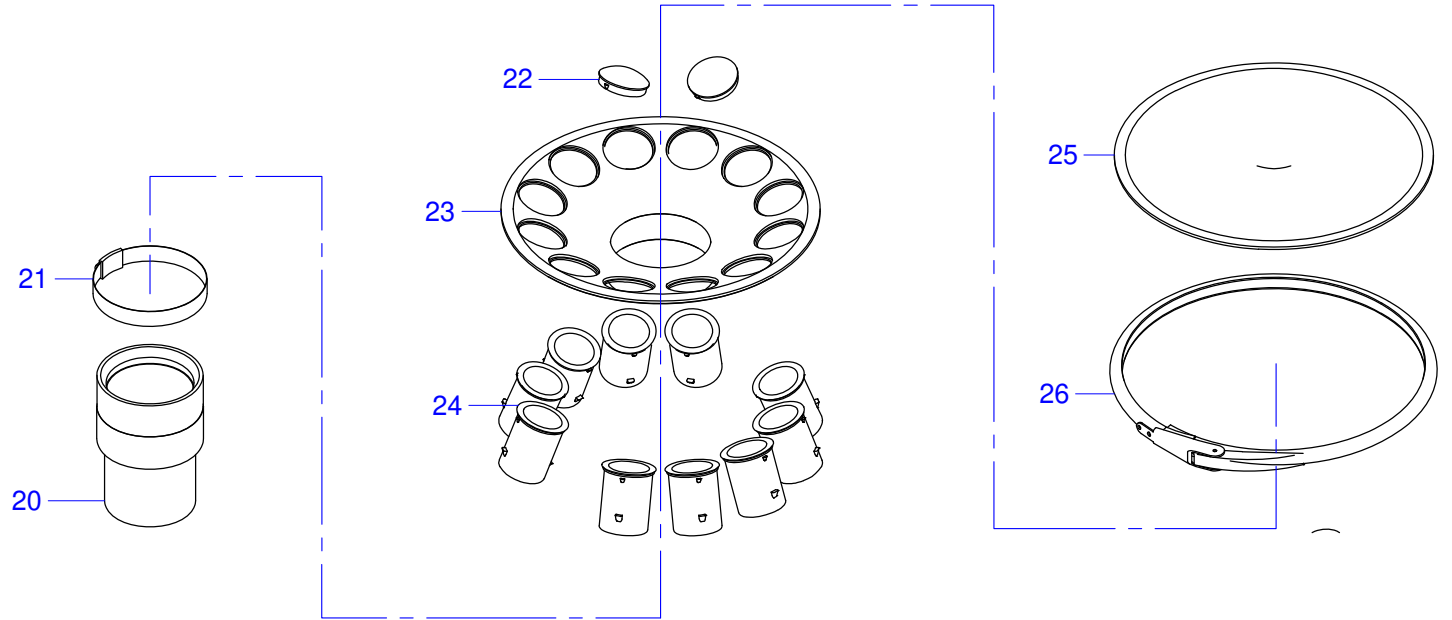
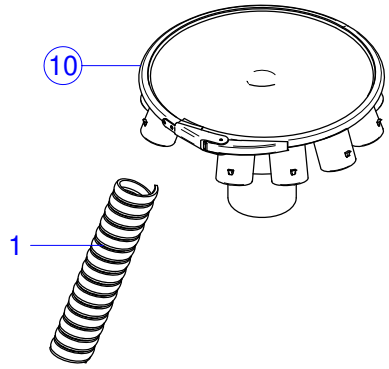


TAV.24-044-00 Supporti testate distribuzione MSD 2.0 COMBI 300

TAV.24-044-00 Supports tested distribution MSD 2.0 COMBI 300

MaterMacc
an ARBOS Company

Pos.	Codice	ITA	ENG
1	42406012	CURVA 90° Ø63 X 1,5 FE 350x260	CURVE
2	52185431	CAVALLOTTO M8x25 T64 SV.223	U-BOLT M8x25 T64 F.T.223
3	52212400	DADO M8 UNI5588 ZN	NUT M8 DIN 934 GV
4	52185427	CAVALLOTTO M8x20 T64 SV.285 ZN	U-BOLT M8x20 T64 SV.285 ZN (vs cod 81010449)
5	32408032	ASS. TUBO SUPPORTO FUNGHI MSD COMBI	ASY. TUBE SUPPORT MASHROOM MSD COMBI
6	52113506	VITE TE M10x30 ZN 5739	HEX CAP SCREW 10X30 GV 5739
7	52212500	DADO M10 UNI5588 ZN	HEX NUT M10 ZN 5588
8	40406121	TUBO FE MOBILIO Ø60x1,5 L.120	TUBE



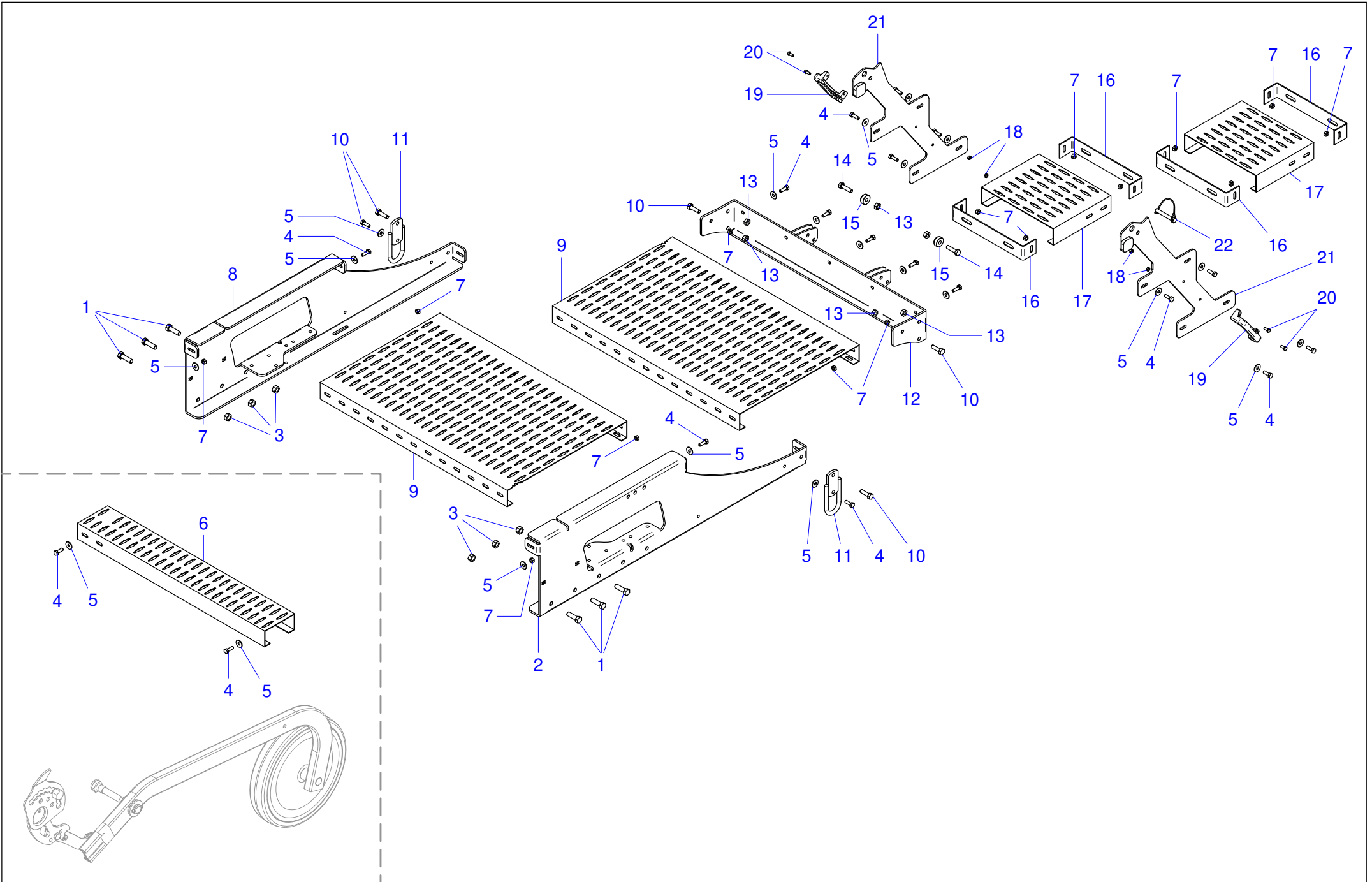
TAV.29-119-00 Testate di distribuzione

TAV.29-119-00 Distribution heads

Pos.	Codice	ITA	ENG
1	78323240	TUBO SPIRAL.CORDFLEX AIR PU D32 ANTI UV (vs. SP0200000320UO)	CORDFLEX AIR SPIRAL PIPE PU D32 ANTI UV
10	22406002	MONT. CORPO FUNGO 10 USCITE Ø32	DISTRIBUTION HEAD 10 OUTPUTS
11	22406001	MONT. CORPO FUNGO 12 USCITE Ø32	DISTRIBUTION HEAD 12 OUTPUTS
20	32406000	ASS. SUPPORTO IN ACCIAIO PER CORPO FUNGO MSD	SUPPORT
21	56433006	FASCETTA W2 D60-80/12	W2 CLAMP D60-80/12
22	54406021	TAPPO CORPO FUNGO Ø32	PLUG
23	54406012	CORPO FUNGO 12 USCITE Ø32	HEADS 12 OUTPUTS
24	54406032	TUBO CORPO FUNGO Ø32	TUBE
25	40406101	LAM. TAPPO FUNGO Ø210	SUPPORT
26	56433100	COLLARE CHIUSURA TESTA DI DISTRIBUZIONE Ø210	COLLAR

TAV.24-042-00 Erpice copriseme MSD 2.0 COMBI 300 - 350 - 400

TAV.24-042-00 Seedling harrow MSD 2.0 COMBI 300 - 350 - 400



TAV.24-042-00 Erpice copriseme MSD 2.0 COMBI 300 - 350 - 400

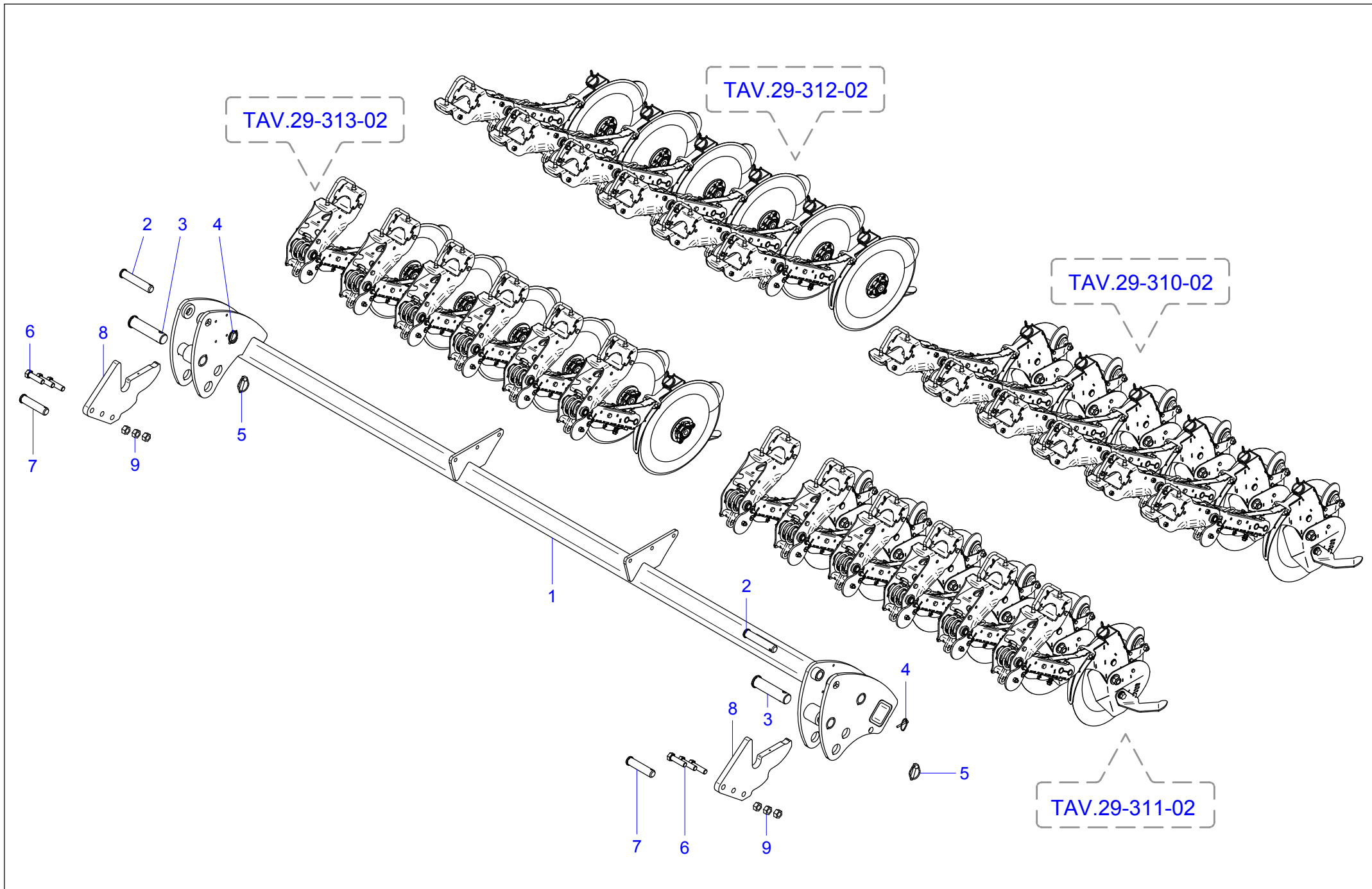
TAV.24-042-00 Seedling harrow MSD 2.0 COMBI 300 - 350 - 400

MaterMacc
an ARBOS Company

Pos.	Codice	ITA	ENG
1	52113608	VITE TE 12X40 ZN 5739	HEX HEAD BOLT 12x 40 UNI 5739
2	42408086	LAM. SX PEDANA MSD COMBI	SHEET LX PLATFORM MSD COMBI
3	52252600	DADO M12 DIN980 ZN (AUTOB.)	LOCK NUT M12 DIN 980 GV
4	52113405	VITE TE 8X25 ZN 5739	HEX CAP SCREW 8X25 GV EN ISO 4017
5	52324024	RONDELLA GREMBIALINA D 8x24 ZN 6593	FLAT WASHER 8x 24 UNI EN ISO 7093
6	55302190	PROFILATO FORATO TIPO GE 125x58x2 TAGLIO L.780	PROFILE
7	52252400	DADO M8 DIN980 ZN (AUTOB.)	LOCK NUT M 8 DIN 980
8	42408085	LAM. DX PEDANA MSD COMBI	SHEET RX PLATFORM MSD COMBI
9	55302110	PROFILATO FORATO TIPO GE 500x58x2 TAGLIO L.780	PROFILED
10	52113507	VITE TE 10X35 ZN 5739	HEX HEAD BOLT 10x 35 UNI 5739
11	30294765	ASS. GANCIO SOLLEVAM. INTER.61	LOADING HOOK
12	32408030	ASS. SNODO SCALA MSD COMBI	ASY. JOINT LADDER MSD COMBI
13	52252500	DADO M10 DIN980 ZN (AUTOB.)	LOCK NUT M10 GV DIN 980
14	52113508	VITE TE 10X40 ZN 5739	HEX CAP SCREW 10X40 GV EN ISO 4014
15	42408039	BOCCOLA SCL DE 30 DI 11 L16 SCL D18 L5.5	BUSH SCL DE 30 DI 11 L16 SCL D18 L5.5
16	55302150	SUPPORTO GRADINO INTERNO L.300	SUPPORT
17	55302157	PROFILATO FORATO TIPO GE 300x58x2 TAGLIO L.240	PROFILED
18	52212300	DADO M6 UNI5588 ZN	HEX NUT M6 DIN 934 GV
19	50202235	MANIGLIA SERBATOIO GRANO	BUSHING
20	52113303	VITE TE M6x16 ZN 5739	HEX CAP SCREW 6X16 GV 5739
21	32408031	ASS. BRACCIO SCALETTA MSD COMBI	ASY. ARM LADDER MSD COMBI
22	52440021	SPINOTTO PER MOTOZAPPA D10 L.80 PER ALBERO D.40/56	PLUG

TAV.24-050-00 Barra semina con elementi a disco singolo MSD 2.0 COMBI 300

TAV.24-050-00 Bar sowing single disc MSD 2.0 COMBI 300



TAV.24-050-00 Barra semina con elementi a disco singolo MSD 2.0 COMBI 300

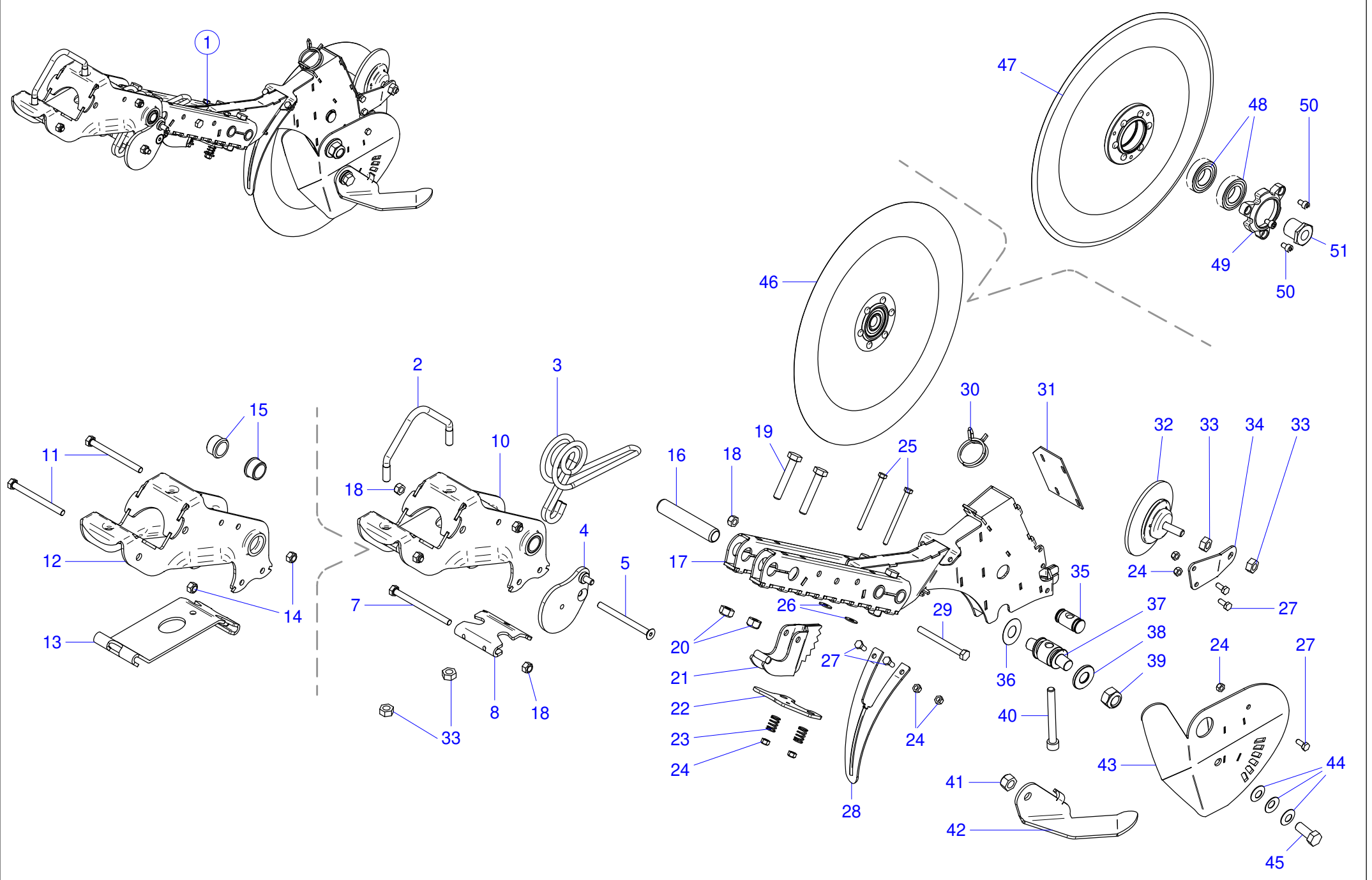
TAV.24-050-00 Bar sowing single disc MSD 2.0 COMBI 300

MaterMacc
an ARBOS Company

Pos.	Codice	ITA	ENG
1	32401042	ASS. BARRA ELEM. MSD COMBI 300	ASY. BAR ELEM. MSD COMBI
2	42401087	PERNO FISSAGGIO BARRA DI SEMINA MSD 2.0 COMBI	BOLT FIXING BAR PLANTING MSD 2.0 COMBI
3	42401086	PERNO FISSAGGIO BARRA DI SEMINA MSD 2.0 COMBI	BOLT FIXING BAR PLANTING MSD 2.0 COMBI
4	52440010	SPINA A SCATTO D 5 ZN	SPINE
5	52440011	SPINA A SCATTO D.9 ZN	LOCK PIN D.9 GV
6	52114812	VITE TE 16X60 ZN 5737	HEX HEAD BOLT 16X60 ZN 5737
7	42401088	PERNO FISSAGGIO BARRA DI SEMINA MSD 2.0 COMBI	BOLT FIXING BAR PLANTING MSD 2.0 COMBI
8	42401085	LAM. SUPPORTO BARRA MSD COMBI	SHEET SUPPORT BAR MSD COMBI
9	52212800	DADO M16 UNI5588 ZN	NUT M16 UNI 5588 GV

TAV.29-310-02 Elemento a disco anteriore destro

TAV.29-310-02 Front Right Disc Element

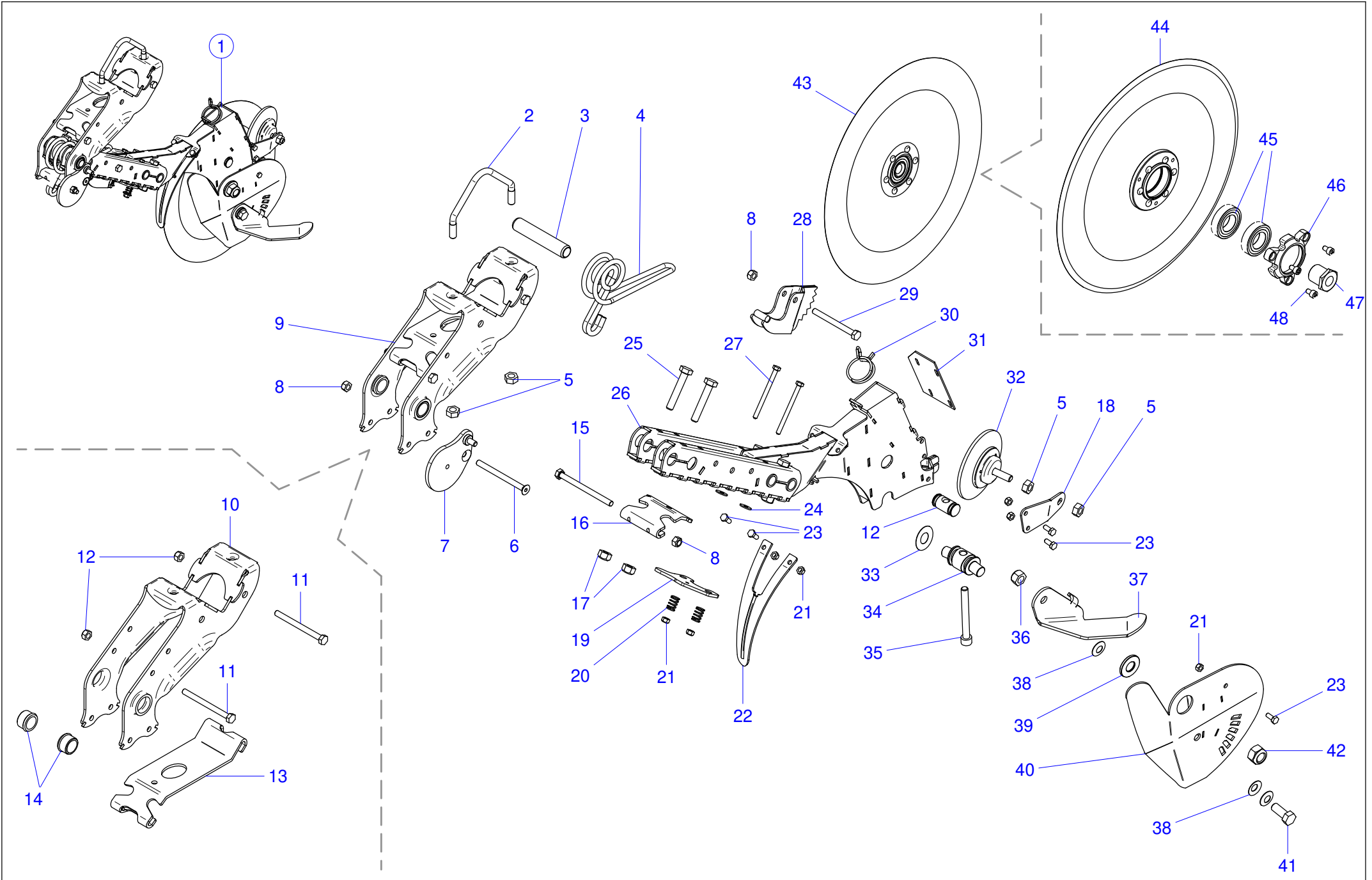


TAV.29-310-02 Elemento a disco anteriore destro
TAV.29-310-02 Front Right Disc Element

Pos.	Codice	ITA	ENG
1	22402204	MONT. ELEMENTO POST. SINGOLO DX	MOUT. REAR UNIT RH DISC
2	52182549	CAVALLOTTO M10X25 T81 L.82	U-BOLT M10x25 T81 L.82
3	55122050	MOLLA	SPRING
4	32402902	ASS. LAM. REGOLAZIONE RUOTINO ELEM. MSD 2.0	ASY. SHEET REGULATION WHEEL ELEM. MSD 2.0
5	52153280	VITE TSP E.I. 8X100 ZN 7991	SCREW 8X100 ZN 7991
7	52114421	VITE TE M8x105 ZN 5737	HEX CAP SCREW M8x105 GV 5737
8	42492802	LAM. SPESSORE FISSAGGIO ELEMENTO MSD	MSD FIXING PLATE
10	22402803	MONT. SCATOLA FISSAGGIO ELEM. POST. MSD 2.0	MOUT. BOX FIX ELEM. REAR MSD 2.0
11	52114419	VITE TE 8X95 ZN 5737	HEAD BOLT 8x95
12	42492801	LAM. FISSAGGIO ELEMENTO MSD	FIXING PLATE FOR SEEDER
13	42402824	LAM. SPESSORE FISSAGGIO ELEMENTO MSD	MSD FIXING PLATE
14	52252400	DADO M8 DIN980 ZN (AUTOB.)	LOCK NUT M 8 DIN 980
15	54302002	BOCCOLA AUTOLUB. DE27 DI20 L.17	BUSH AUTOLUBE DE27 DI20 L.17 HEAD
16	42492803	TUBO BRACCIO ELEMENTO MSD	ARM TUBE ELEMENT MSD
17	22402802	MONT. CORPO ELEMENTO MSD	MOUNT MSD ELEMENT
18	52252400	DADO M8 DIN980 ZN (AUTOB.)	LOCK NUT M 8 DIN 980
19	52114512	VITE TE 10X60 ZN 5737	HEX HEAD BOLT 10x 60 UNI 5737
20	52252500	DADO M10 DIN980 ZN (AUTOB.)	LOCK NUT M10 GV DIN 980
21	32492800	ASS. TENSORE MOLLA ELEMENTO MSD	ASY. SPRING TIGHTENING MSD UNIT
22	42492808	LAM. FERMO REGOLAZIONE TENSIONE MOLLA ELEMENTO MSD	STILL ADJUSTING TENSION SPRING ELEMENT MSD
23	40406708	MOLLA DOSATORE SEME DISTRIBUTORE GRANO	SPRING
24	52252300	DADO M6 DIN980 ZN (AUTOB.)	LOCK NUT M 6 ZN DIN 980
25	52114316	VITE TE 6X80 ZN 5737	HEX HEAD BOLT 6x 80 UNI 5737
26	52323018	RONDELLA GREMBIALINA D 6x18 ZN 6593	WASHER D 6x18 ZN 6593
27	52113303	VITE TE M6x16 ZN 5739	HEX CAP SCREW 6X16 GV 5739
28	42402834	LAM PROTEGGI DISCO ELEMENTO MSD	DISK PROTECTION
29	52114417	VITE TE 8X85 ZN 5737	HEX SCREW 8X85 ZN 5737
30	56432002	FASCETTA FILO D.40 ZN	STRING CLAMP D.40
31	42402219	PARATIA INTERNA ELEMENTO DOPPIO DISCO MSD	PARATIA INTERNAL ELEMENT DOUBLE DISC MSD
32	20402110	MONT. RASCHIATERRA ELEMENTO DISCO MSD	SCRAPER ASSEMBLY
33	52212500	DADO M10 UNI5588 ZN	HEX NUT M10 ZN 5588
34	42402217	SUPP. RASCHIETTO	SCRAPER SUPPORT
35	42492820	PERNO FISSAGGIO DISCHI ELEMENTO MSD	FIXING PIN
36	40202452	RONDELLA RASAM. 37.9x17.25x0.5	FLAT WASHER 37.9 x 17.0 x 0.5
37	42492811	PERNO DISCO APRISOLCO ELEMENTO MSD	PIN
38	42402833	RONDELLA BLOCCAGGIO CARTER	WASHER COVER FIXING
39	52252908	DADO AUTOB. M16X1.5 DIN 985	LOCK NUT M16X1.5 DIN 985
40	52124516	VITE TCEI 10X80 ZN 5931	SCREWTCEI 10X80 ZN 5931
41	52242600	DADO AUTOB. M12 ZN DIN 982	LOCK NUT M12 ZN DIN 982
42	42402220	LAM. LIM. PROF. DX MAGGIORATO D.S. MSD 2.0	SHEET DEPTH LIM. INCREASED RX S.D. MSD 2.0
43	32402804	ASS. CARTER DISCO SINGOLO	ASS. SINGLE DISC COVER
44	52300010	MOLLA TAZZA 12x25x0,9 DIN 2093	SPRING
45	52113606	VITE TE 12X30 ZN 5739	HEX CAP SCREW 12X30 GV 5739
46	22402208	MONT. DISCO D350 E CUSCINETTO ELEM. DS	MOUT. DISC D350 AND BEARING ELEM DS
47	32402801	ASS.MOZZO-DISCO APRISOLCO SEM. D350	ASS. HUB DISC SEM openers. D350
48	51160055	CUSCINETTO 6005 2RS 25x47x12 SKF	BEARING 6005 2RS 25x47x12 SKF
49	42492201	LAM. MOZZO DISCO SINGOLO ELEMENTO MSD	HUB DISC ELEMENT MSD
50	52124301	VITE TCEI M6x10 ZN 5931	SCREWTCEI 6X10 ZN 5931
51	42492200	DADO BLOCCAGGIO DISCO SINGOLO ELEMENTO MSD	NUT FOR HUB

TAV.29-311-02 Elemento a disco posteriore destro

TAV.29-311-02 Right rear disk element

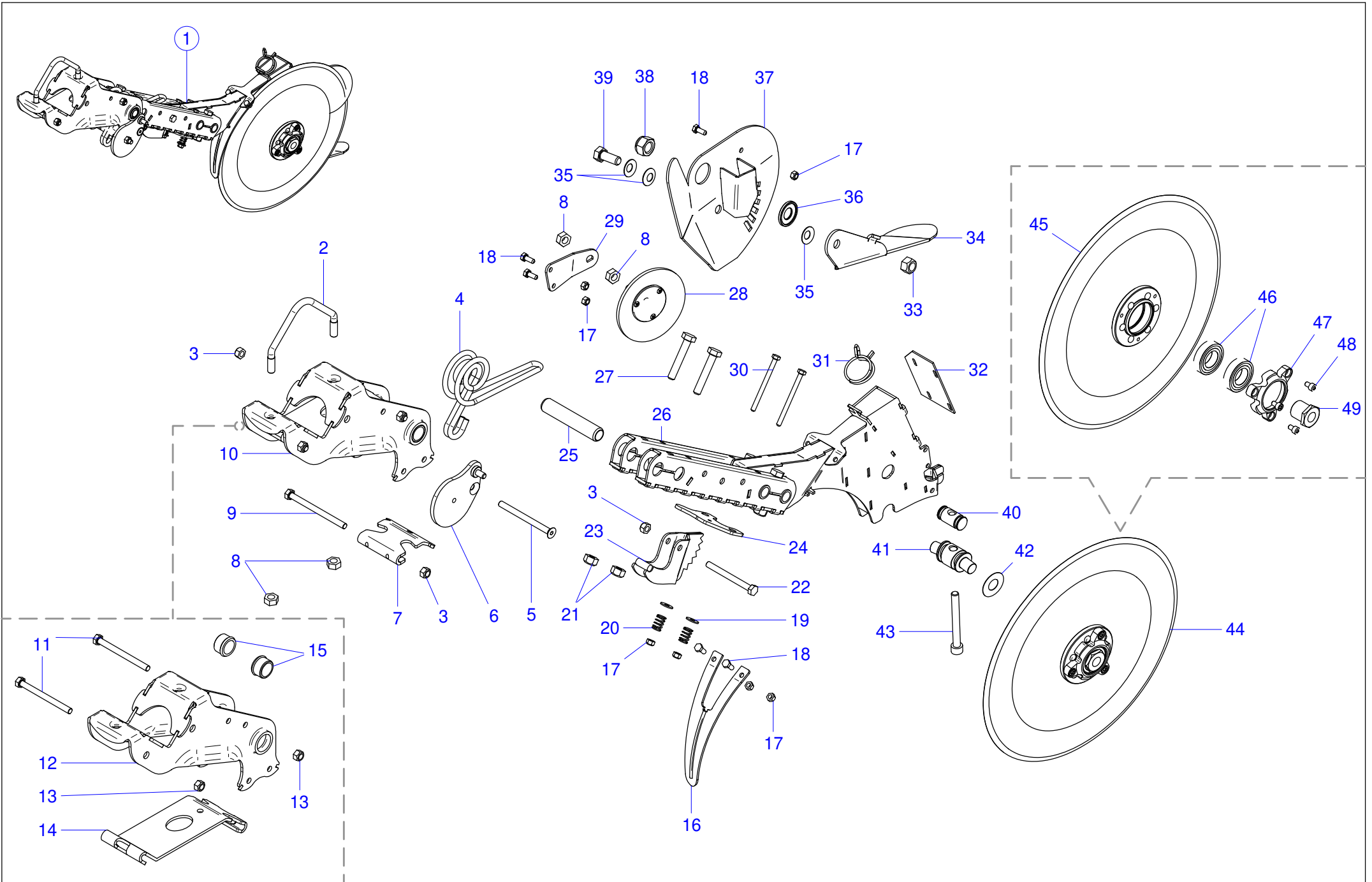


TAV.29-311-02 Elemento a disco posteriore destro
TAV.29-311-02 Right rear disk element

Pos.	Codice	ITA	ENG
1	22402205	MONT. ELEMENTO POST. SINGOLO DX	MOUT. REAR UNIT RH DISC
2	52182549	CAVALLOTTO M10X25 T81 L.82	U-BOLT M10x25 T81 L.82
3	42492803	TUBO BRACCIO ELEMENTO MSD	ARM TUBE ELEMENT MSD
4	55122050	MOLLA	SPRING
5	52212500	DADO M10 UNI5588 ZN	HEX NUT M10 ZN 5588
6	52153280	VITE TSP E.I. 8X100 ZN 7991	SCREW 8X100 ZN 7991
7	32402902	ASS. LAM. REGOLAZIONE RUOTINO ELEM. MSD 2.0	ASY. SHEET REGULATION WHEEL ELEM. MSD 2.0
8	52252400	DADO M8 DIN980 ZN (AUTOB.)	LOCK NUT M 8 DIN 980
9	22402804	MONT. SCATOLA FISSAGGIO ELEM. ANT. MSD 2.0	MOUT. BOX FIX ELEM. BACK MSD 2.0
10	42492801	LAM. FISSAGGIO ELEMENTO MSD	FIXING PLATE FOR SEEDER
11	52114419	VITE TE 8X95 ZN 5737	HEAD BOLT 8x95
12	42492820	PERNO FISSAGGIO DISCHI ELEMENTO MSD	FIXING PIN
12	52252400	DADO M8 DIN980 ZN (AUTOB.)	LOCK NUT M 8 DIN 980
13	42402824	LAM. SPESSORE FISSAGGIO ELEMENTO MSD	MSD FIXING PLATE
14	54302002	BOCCOLA AUTOLUB. DE27 DI20 L.17	BUSH AUTOLUBE DE27 DI20 L.17 HEAD
15	52114421	VITE TE M8x105 ZN 5737	HEX CAP SCREW M8x105 GV 5737
16	42492802	LAM. SPESSORE FISSAGGIO ELEMENTO MSD	MSD FIXING PLATE
17	52252500	DADO M10 DIN980 ZN (AUTOB.)	LOCK NUT M10 GV DIN 980
18	42402217	SUPP. RASCHIETTO	SCRAPER SUPPORT
19	42492808	LAM. FERMO REGOLAZIONE TENSIONE MOLLA ELEMENTO MSD	STILL ADJUSTING TENSION SPRING ELEMENT MSD
20	40406708	MOLLA DOSATORE SEME DISTRIBUTORE GRANO	SPRING
21	52252300	DADO M6 DIN980 ZN (AUTOB.)	LOCK NUT M 6 ZN DIN 980
22	42402834	LAM. PROTEGGI DISCO ELEMENTO MSD	DISK PROTECTION
23	52113303	VITE TE M6x16 ZN 5739	HEX CAP SCREW 6X16 GV 5739
24	52323018	RONDELLA GREMBIALINA D 6x18 ZN 6593	WASHER D 6x18 ZN 6593
25	52114512	VITE TE 10X60 ZN 5737	HEX HEAD BOLT 10x 60 UNI 5737
26	22402802	MONT. CORPO ELEMENTO MSD	MOUNT MSD ELEMENT
27	52114316	VITE TE 6X80 ZN 5737	HEX HEAD BOLT 6x 80 UNI 5737
28	32492800	ASS. TENSORE MOLLA ELEMENTO MSD	ASY. SPRING TIGHTENING MSD UNIT
29	52114417	VITE TE 8X85 ZN 5737	HEX SCREW 8X85 ZN 5737
30	56432002	FASCETTA FILO D.40 ZN	STRING CLAMP D.40
31	42402219	PARATIA INTERNA ELEMENTO DOPPIO DISCO MSD	PARATIA INTERNAL ELEMENT DOUBLE DISC MSD
32	20402110	MONT. RASCHIATERRA ELEMENTO DISCO MSD	SCRAPER ASSEMBLY
33	40202452	RONDELLA RASAM. 37.9x17.25x0.5	FLAT WASHER 37.9 x 17.0 x 0.5
34	42492811	PERNO DISCO APRISOLCO ELEMENTO MSD	PIN
35	52124516	VITE TCEI 10X80 ZN 5931	SCREWTCEI 10X80 ZN 5931
36	52242600	DADO AUTOB. M12 ZN DIN 982	LOCK NUT M12 ZN DIN 982
37	42402220	LAM. LIM. PROF. DX MAGGIORATO D.S. MSD 2.0	SHEET DEPTH LIM. INCREASED RX S.D. MSD 2.0
38	52300010	MOLLA TAZZA 12x25x0.9 DIN 2093	SPRING
39	42402833	RONDELLA BLOCCAGGIO CARTER	WASHER COVER FIXING
40	32402804	ASS. CARTER DISCO SINGOLO	ASS. SINGLE DISC COVER
41	52113606	VITE TE 12X30 ZN 5739	HEX CAP SCREW 12X30 GV 5739
42	52252908	DADO AUTOB. M16X1.5 DIN 985	LOCK NUT M16X1.5 DIN 985
43	22402208	MONT. DISCO D350 E CUSCINETTO ELEM. DS	MOUT. DISC D350 AND BEARING ELEM DS
44	32402801	ASS. MOZZO-DISCO APRISOLCO SEM. D350	ASS. HUB DISC SEM openers. D350
45	51160055	CUSCINETTO 6005 2RS 25x47x12 SKF	BEARING 6005 2RS 25x47x12 SKF
46	42492201	LAM. MOZZO DISCO SINGOLO ELEMENTO MSD	HUB DISC ELEMENT MSD
47	42492200	DADO BLOCCAGGIO DISCO SINGOLO ELEMENTO MSD	NUT FOR HUB
48	52124301	VITE TCEI M6x10 ZN 5931	SCREWTCEI 6X10 ZN 5931

TAV.29-312-02 Elemento a disco anteriore sinistro

TAV.29-312-02 Left front disc drive



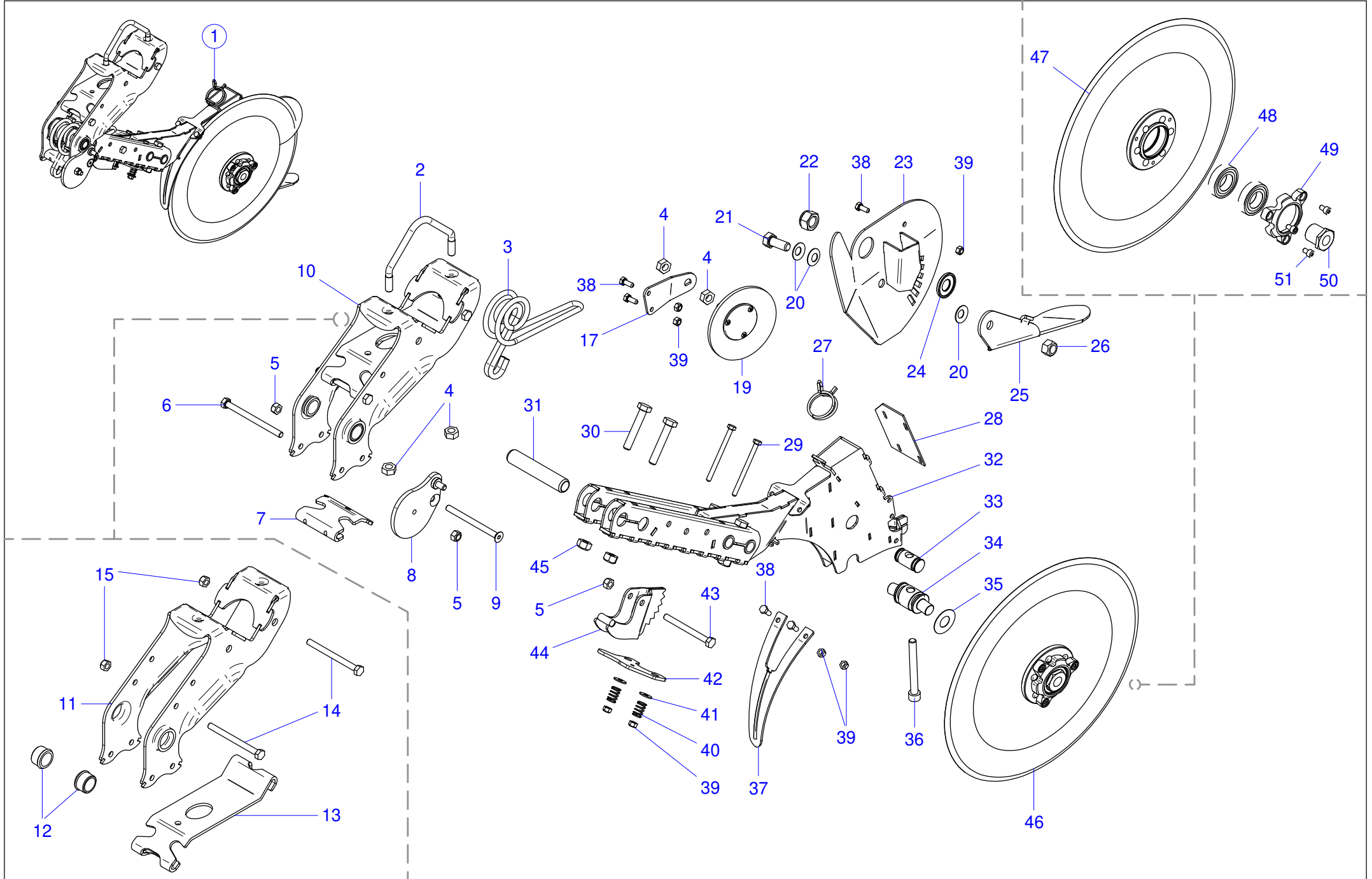
TAV.29-312-02 Elemento a disco anteriore sinistro

TAV.29-312-02 Left front disc drive

Pos.	Codice	ITA	ENG
1	22402206	MONT. ELEMENTO POST. SINGOLO SX	MOUT. REAR UNIT LEFT DISC
2	52182549	CAVALLOTTO M10X25 T81 L.82	U-BOLT M10x25 T81 L.82
3	52252400	DADO M8 DIN980 ZN (AUTOB.)	LOCK NUT M 8 DIN 980
4	55122050	MOLLA	SPRING
5	52153280	VITE TSP E.I. 8X100 ZN 7991	SCREW 8X100 ZN 7991
6	32402902	ASS. LAM. REGOLAZIONE RUOTINO ELEM. MSD 2.0	ASY. SHEET REGOLATION WHEEL ELEM. MSD 2.0
7	42492802	LAM. SPESSORE FISSAGGIO ELEMENTO MSD	MSD FIXING PLATE
8	52212500	DADO M10 UNI5588 ZN	HEX NUT M10 ZN 5588
9	52114421	VITE TE M8x105 ZN 5737	HEX CAP SCREW M8x105 ZN 5737
10	22402803	MONT. SCATOLA FISSAGGIO ELEM. POST. MSD 2.0	MOUT. BOX FIX ELEM. REAR MSD 2.0
11	52114419	VITE TE 8X95 ZN 5737	HEAD BOLT 8x95
12	42492801	LAM. FISSAGGIO ELEMENTO MSD	FIXING PLATE FOR SEEDER
13	52252400	DADO M8 DIN980 ZN (AUTOB.)	LOCK NUT M 8 DIN 980
14	42402824	LAM. SPESSORE FISSAGGIO ELEMENTO MSD	MSD FIXING PLATE
15	54302002	BOCCOLA AUTOLUB. DE27 DI20 L.17	BUSH AUTOLUBE DE27 DI20 L.17 HEAD
16	42402834	LAM PROTEGGI DISCO ELEMENTO MSD	DISK PROTECTION
17	52252300	DADO M6 DIN980 ZN (AUTOB.)	LOCK NUT M 6 ZN DIN 980
18	52113303	VITE TE M6x16 ZN 5739	HEX CAP SCREW 6X16 ZN 5739
19	52323018	RONDELLA GREMBIALINA D 6x18 ZN 6593	WASHER D 6x18 ZN 6593
20	40406708	MOLLA DOSATORE SEME DISTRIBUTORE GRANO	SPRING
21	52252500	DADO M10 DIN980 ZN (AUTOB.)	LOCK NUT M10 ZN DIN 980
22	52114417	VITE TE 8X85 ZN 5737	HEX SCREW 8X85 ZN 5737
23	32492800	ASS. TENSORE MOLLA ELEMENTO MSD	ASY. SPRING TIGHTENING MSD UNIT
24	42492808	LAM. FERMO REGOLAZIONE TENSIONE MOLLA ELEMENTO MSD	STILL ADJUSTING TENSION SPRING ELEMENT MSD
25	42492803	TUBO BRACCIO ELEMENTO MSD	ARM TUBE ELEMENT MSD
26	22402802	MONT. CORPO ELEMENTO MSD	MOUNT MSD ELEMENT
27	52114512	VITE TE 10X60 ZN 5737	HEX HEAD BOLT 10x 60 ZN 5737
28	20402110	MONT. RASCHIATERRA ELEMENTO DISCO MSD	SCRAPER ASSEMBLY
29	42402218	SUPP. RASCHIETTO ROTATIVO DX	SCRAPER SUPPORT
30	52114316	VITE TE 6X80 ZN 5737	HEX HEAD BOLT 6x 80 ZN 5737
31	56432002	FASCETTA FILO D.40 ZN	STRING CLAMP D.40
32	42402219	PARATIA INTERNA ELEMENTO DOPPIO DISCO MSD	PARATIA INTERNAL ELEMENT DOUBLE DISC MSD
33	52242600	DADO AUTOB. M12 ZN DIN 982	LOCK NUT M12 ZN DIN 982
34	42402221	LAM. LIM. PROF. SX MAGGIORATO D.S. MSD 2.0	HEX CAP SCREW 12X30 ZN 5739
35	52300010	MOLLA TAZZA 12x25x0,9 DIN 2093	SPRING
36	42402833	RONDELLA BLOCCAGGIO CARTER	WASHER COVER FIXING
37	32402805	ASS. CARTER DISCO SINGOLO	ASS. SINGLE DISC COVER
38	52252908	DADO AUTOB. M16X1.5 DIN 985	LOCK NUT M16X1.5 ZN 985
39	52113606	VITE TE 12X30 ZN 5739	HEX CAP SCREW 12X30 ZN 5739
40	42492820	PERNO FISSAGGIO DISCHI ELEMENTO MSD	FIXING PIN
41	42492811	PERNO DISCO APRISOLCO ELEMENTO MSD	PIN
42	40202452	RONDELLA RASAM. 37.9x17.25x0.5	FLAT WASHER 37.9 x 17.0 x 0.5
43	52124516	VITE TCEI 10X80 ZN 5931	SCREW TCEI 10X80 ZN 5931
44	22402208	MONT. DISCO D350 E CUSCINETTO ELEM. DS	MOUT. DISC D350 AND BEARING ELEM DS
45	32402801	ASS. MOZZO-DISCO APRISOLCO SEM. D350	ASS. HUB DISC SEM openers. D350
46	51160055	CUSCINETTO 6005 2RS 25x47x12 SKF	BEARING 6005 2RS 25x47x12 SKF
47	42492201	LAM. MOZZO DISCO SINGOLO ELEMENTO MSD	HUB DISC ELEMENT MSD
48	52124301	VITE TCEI M6x10 ZN 5931	SCREW TCEI 6X10 ZN 5931
49	42492200	DADO BLOCCAGGIO DISCO SINGOLO ELEMENTO MSD	NUT FOR HUB

TAV.29-313-02 Elemento a disco singolo posteriore sinistro

TAV.29-313-02 Left Rear Single Disc Element

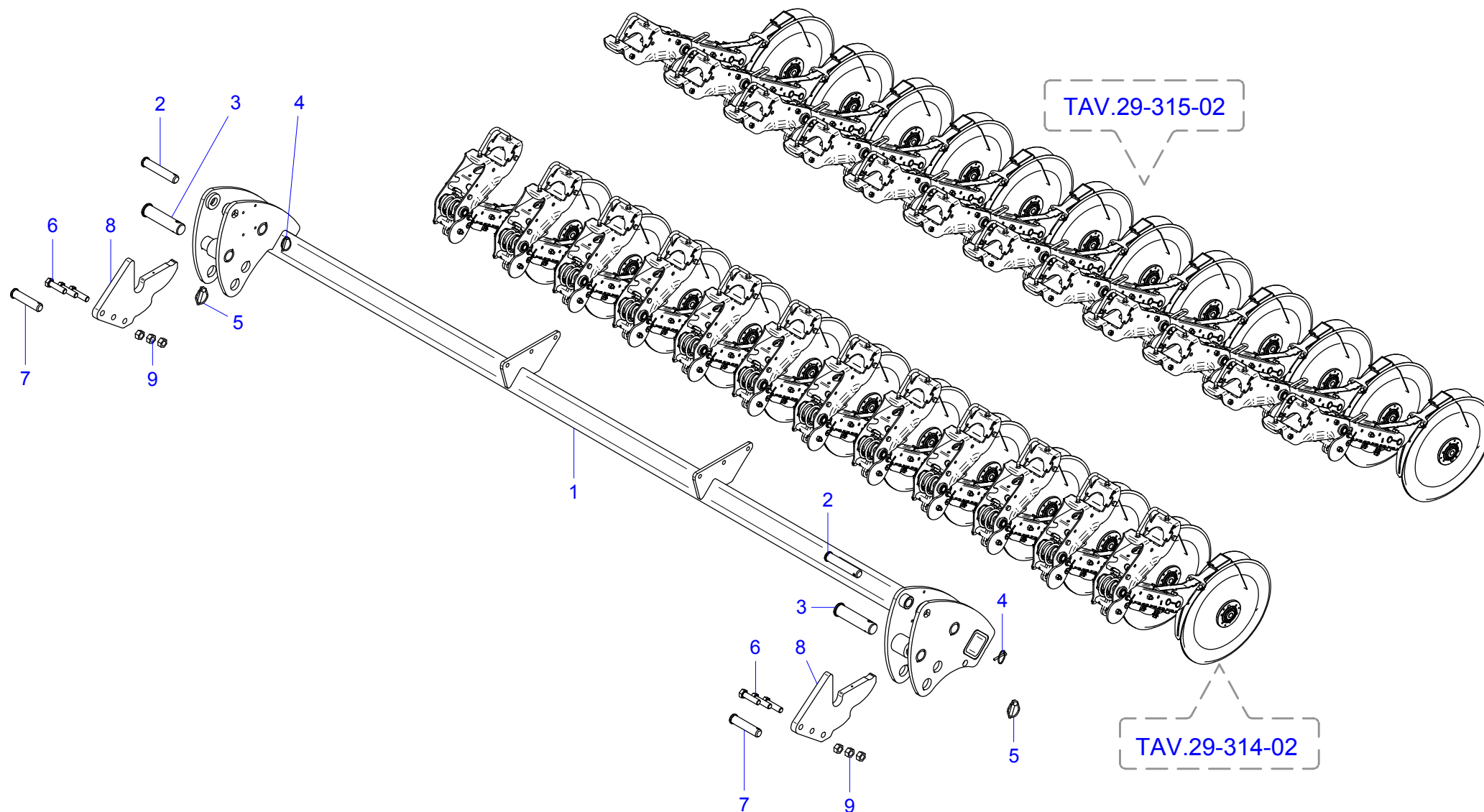


TAV.29-313-02 Elemento a disco singolo posteriore sinistro
TAV.29-313-02 Left Rear Single Disc Element

Pos.	Codice	ITA	ENG
1	22402207	MONT. ELEMENTO ANT. SINGOLO SX	MOUT. FRONT UNIT LEFT DISC
2	52182549	CAVALLOTTO M10X25 T81 L.82	U-BOLT M10x25 T81 L.82
3	55122050	MOLLA	SPRING
4	52212500	DADO M10 UNI5588 ZN	HEX NUT M10 ZN 5588
5	52252400	DADO M8 DIN980 ZN (AUTOB.)	LOCK NUT M 8 DIN 980
6	52114421	VITE TE M8x105 ZN 5737	HEX CAP SCREW M8x105 GV 5737
7	42492802	LAM. SPESSORE FISSAGGIO ELEMENTO MSD	MSD FIXING PLATE
8	32402902	ASS. LAM. REGOLAZIONE RUOTINO ELEM. MSD 2.0	ASY. SHEET REGULATION WHEEL ELEM. MSD 2.0
9	52153280	VITE TSP E.I. 8X100 ZN 7991	SCREW 8X100 ZN 7991
10	22402804	MONT. SCATOLA FISSAGGIO ELEM. ANT. MSD 2.0	MOUT. BOX FIX ELEM. BACK MSD 2.0
11	42492801	LAM. FISSAGGIO ELEMENTO MSD	FIXING PLATE FOR SEEDER
12	54302002	BOCCOLA AUTOLUB. DE27 DI20 L.17	BUSH AUTOLUBE DE27 DI20 L.17 HEAD
13	42402824	LAM. SPESSORE FISSAGGIO ELEMENTO MSD	MSD FIXING PLATE
14	52114419	VITE TE 8X95 ZN 5737	HEAD BOLT 8x95
15	52252400	DADO M8 DIN980 ZN (AUTOB.)	LOCK NUT M 8 DIN 980
17	42402218	SUPP. RASCHIETTO ROTATIVO DX	SCRAPER SUPPORT
19	20402110	MONT. RASCHIATERRA ELEMENTO DISCO MSD	SCRAPER ASSEMBLY
20	52300010	MOLLA TAZZA 12x25x0,9 DIN 2093	SPRING
21	52113606	VITE TE 12X30 ZN 5739	HEX CAP SCREW 12X30 GV 5739
22	52252908	DADO AUTOB. M16X1.5 DIN 985	LOCK NUT M16X1.5 DIN 985
23	32402805	ASS. CARTER DISCO SINGOLO	ASS. SINGLE DISC COVER
24	42402833	RONDELLA BLOCCAGGIO CARTER	WASHER COVER FIXING
25	42402221	LAM. LIM. PROF. SX MAGGIORATO D.S. MSD 2.0	HEX CAP SCREW 12X30 GV 5739
26	52242600	DADO AUTOB. M12 ZN DIN 982	LOCK NUT M12 ZN DIN 982
27	56432002	FASCETTA FILO D.40 ZN	STRING CLAMP D.40
28	42402219	PARATIA INTERNA ELEMENTO DOPPIO DISCO MSD	PARATIA INTERNAL ELEMENT DOUBLE DISC MSD
29	52114316	VITE TE 6X80 ZN 5737	HEX HEAD BOLT 6x 80 UNI 5737
30	52114512	VITE TE 10X60 ZN 5737	HEX HEAD BOLT 10x 60 UNI 5737
31	42492803	TUBO BRACCIO ELEMENTO MSD	ARM TUBE ELEMENT MSD
32	22402802	MONT. CORPO ELEMENTO MSD	MOUNT MSD ELEMENT
33	42492820	PERNO FISSAGGIO DISCHI ELEMENTO MSD	FIXING PIN
34	42492811	PERNO DISCO APRISOLCO ELEMENTO MSD	PIN
35	40202452	RONDELLA RASAM. 37.9x17.25x0.5	FLAT WASHER 37.9 x 17.0 x 0.5
36	52124516	VITE TCEI 10X80 ZN 5931	SCREWTCEI 10X80 ZN 5931
37	42402834	LAM PROTEGGI DISCO ELEMENTO MSD	DISK PROTECTION
38	52113303	VITE TE M6x16 ZN 5739	HEX CAP SCREW 6X16 GV 5739
39	52252300	DADO M6 DIN980 ZN (AUTOB.)	LOCK NUT M 6 ZN DIN 980
40	40406708	MOLLA DOSATORE SEME DISTRIBUTORE GRANO	SPRING
41	52323018	RONDELLA GREMBIALINA D 6x18 ZN 6593	WASHER D 6x18 ZN 6593
42	42492808	LAM. FERMO REGOLAZIONE TENSIONE MOLLA ELEMENTO MSD	STILL ADJUSTING TENSION SPRING ELEMENT MSD
43	52114417	VITE TE 8X85 ZN 5737	HEX SCREW 8X85 ZN 5737
44	32492800	ASS. TENSORE MOLLA ELEMENTO MSD	ASY. SPRING TIGHTENING MSD UNIT
45	52252500	DADO M10 DIN980 ZN (AUTOB.)	LOCK NUT M10 GV DIN 980
46	22402208	MONT. DISCO D350 E CUSCINETTO ELEM. DS	MOUT. DISC D350 AND BEARING ELEM DS
47	32402801	ASS. MOZZO-DISCO APRISOLCO SEM. D350	ASS. HUB DISC SEM openers. D350
48	51160055	CUSCINETTO 6005 2RS 25x47x12 SKF	BEARING 6005 2RS 25x47x12 SKF
49	42492201	LAM. MOZZO DISCO SINGOLO ELEMENTO MSD	HUB DISC ELEMENT MSD
50	42492200	DADO BLOCCAGGIO DISCO SINGOLO ELEMENTO MSD	NUT FOR HUB
51	52124301	VITE TCEI M6x10 ZN 5931	SCREWTCEI 6X10 ZN 5931

TAV.24-052-00 Barra semina con elementi a doppio disco MSD 2.0 COMBI 300

TAV.24-052-00 Sowing bar with double disc elements MSD 2.0 COMBI 300



TAV.24-052-00 Barra semina con elementi a doppio disco MSD 2.0 COMBI 300

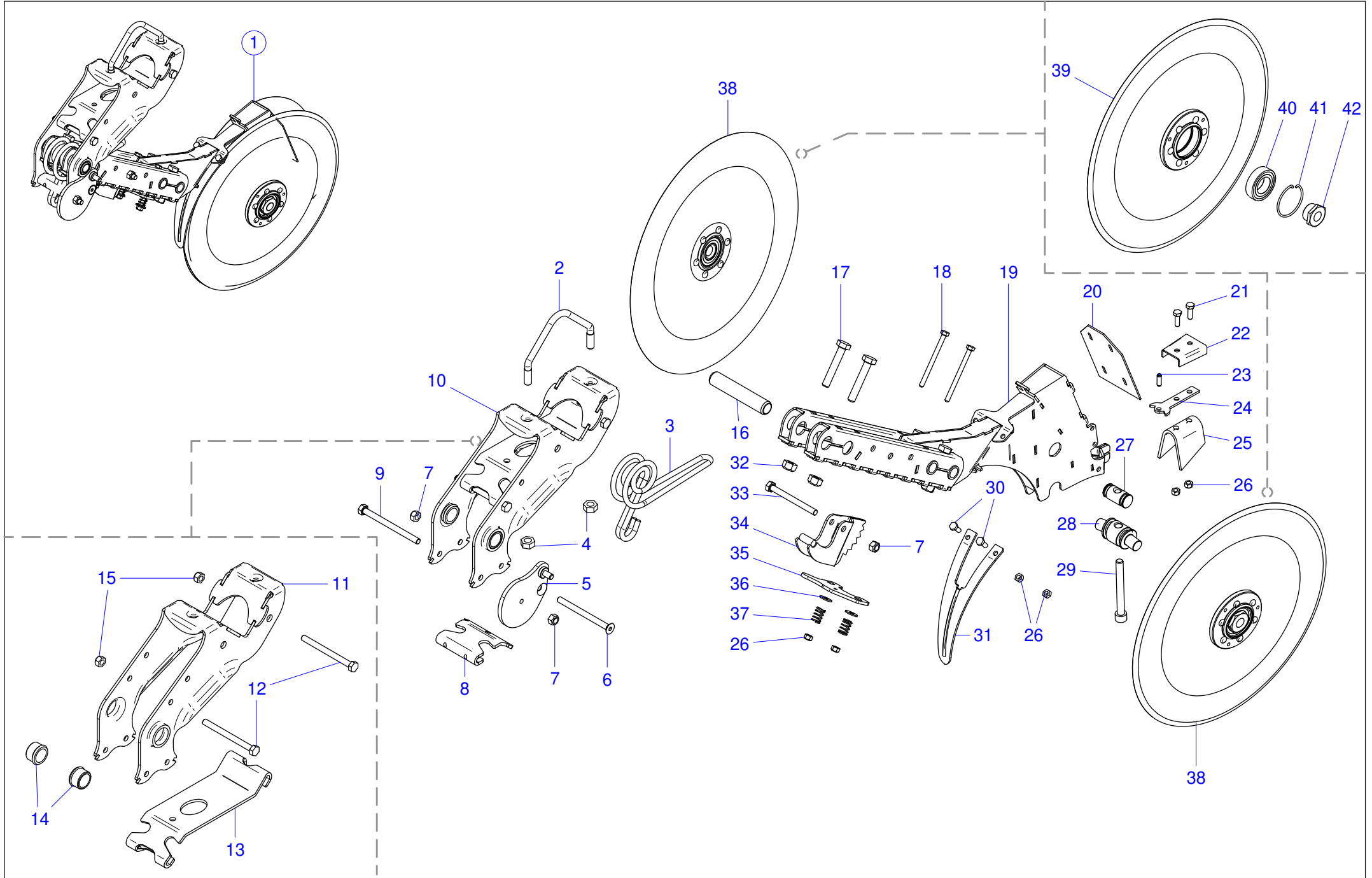
TAV.24-052-00 Sowing bar with double disc elements MSD 2.0 COMBI 300

MaterMacc
an ARBOS Company

Pos.	Codice	ITA	ENG
1	32401042	ASS. BARRA ELEM. MSD COMBI 300	ASY. BAR ELEM. MSD COMBI
2	42401087	PERNO FISSAGGIO BARRA DI SEMINA MSD 2.0 COMBI	BOLT FIXING BAR PLANTING MSD 2.0 COMBI
3	42401086	PERNO FISSAGGIO BARRA DI SEMINA MSD 2.0 COMBI	BOLT FIXING BAR PLANTING MSD 2.0 COMBI
4	52440010	SPINA A SCATTO D 5 ZN	SPINE
5	52440011	SPINA A SCATTO D.9 ZN	LOCK PIN D.9 GV
6	52114812	VITE TE 16X60 ZN 5737	HEX HEAD BOLT 16X60 ZN 5737
7	42401088	PERNO FISSAGGIO BARRA DI SEMINA MSD 2.0 COMBI	BOLT FIXING BAR PLANTING MSD 2.0 COMBI
8	42401085	LAM. SUPPORTO BARRA MSD COMBI	SHEET SUPPORT BAR MSD COMBI
9	52212800	DADO M16 UNI5588 ZN	NUT M16 UNI 5588 GV

TAV.29-314-02 ELEMENTO ANTERIORE DOPPIO DISCO

TAV.29-314-02 DOUBLE DISC FRONT UNIT

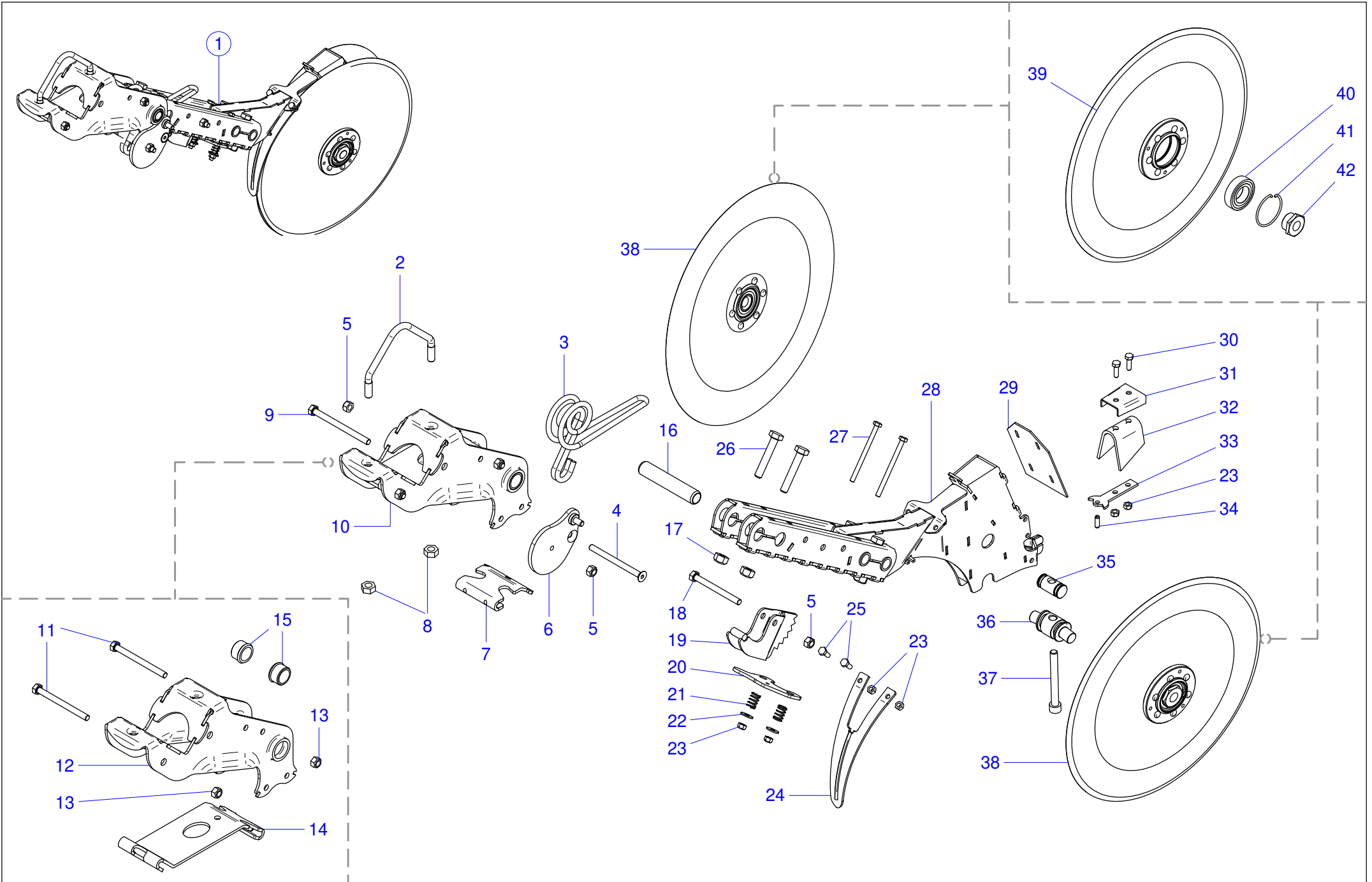


TAV.29-314-02 ELEMENTO ANTERIORE DOPPIO DISCO
TAV.29-314-02 DOUBLE DISC FRONT UNIT

Pos.	Codice	ITA	ENG
1	22402402	MONT. ELEMENTO ANT. DOPPIO DISCO '16	MOUT. DOUBLE DISC FRONT UNIT
2	52182549	CAVALLOTTO M10X25 T81 L.82	U-BOLT M10x25 T81 L.82
3	55122050	MOLLA	SPRING
4	52212500	DADO M10 UNI5588 ZN	HEX NUT M10 ZN 5588
5	32402902	ASS. LAM. REGOLAZIONE RUOTINO ELEM. MSD 2.0	ASY. SHEET REGULATION WHEEL ELEM. MSD 2.0
6	52153280	VITE TSP E.I. 8X100 ZN 7991	SCREW 8X100 ZN 7991
7	52252400	DADO M8 DIN980 ZN (AUTOB.)	LOCK NUT M 8 DIN 980
8	42492802	LAM. SPESSORE FISSAGGIO ELEMENTO MSD	MSD FIXING PLATE
9	52114421	VITE TE M8x105 ZN 5737	HEX CAP SCREW M8x105 GV 5737
10	22402804	MONT. SCATOLA FISSAGGIO ELEM. ANT. MSD 2.0	MOUT. BOX FIX ELEM. BACK MSD 2.0
11	42492801	LAM. FISSAGGIO ELEMENTO MSD	FIXING PLATE FOR SEEDER
12	52114419	VITE TE 8X95 ZN 5737	HEAD BOLT 8x95
13	42402824	LAM. SPESSORE FISSAGGIO ELEMENTO MSD	MSD FIXING PLATE
14	54302002	BOCCOLA AUTOLUB. DE27 DI20 L.17	BUSH AUTOLUBE DE27 DI20 L.17 HEAD
15	52252400	DADO M8 DIN980 ZN (AUTOB.)	LOCK NUT M 8 DIN 980
16	42492803	TUBO BRACCIO ELEMENTO MSD	ARM TUBE ELEMENT MSD
17	52114512	VITE TE 10X60 ZN 5737	HEX HEAD BOLT 10x 60 UNI 5737
18	52114316	VITE TE 6X80 ZN 5737	HEX HEAD BOLT 6x 80 UNI 5737
19	22402802	MONT. CORPO ELEMENTO MSD	MOUNT MSD ELEMENT
20	42402403	PARATIA INTERNA ELEMENTO DOPPIO DISCO MSD	BULKHEAD
21	52113304	VITE TE M6x20 ZN 5739	HEX CAP SCREW 6X20 5739 GV
22	40482315	SCONTRO RASCHIATERRA GOMMATO DOPPIO DISCO GRANO	PLATE
23	52442508	SPINA ELASTICA D 6X18 6873	SPRING PIN D 6X18 6873
24	42402404	LAM. SOSTEGNO RASCHIATERRA ELEMENTO MSD	SCRAPER SUPPORT
25	40402310	RASCHIATERRA ELEMENTO DOPPIO DISCO MSD	SCAPER
26	52252300	DADO M6 DIN980 ZN (AUTOB.)	LOCK NUT M 6 ZN DIN 980
27	42492820	PERNO FISSAGGIO DISCHI ELEMENTO MSD	FIXING PIN
28	42492811	PERNO DISCO APRISOLCO ELEMENTO MSD	PIN
29	52124516	VITE TCEI 10X80 ZN 5931	SCREWTCEI 10X80 ZN 5931
30	52113303	VITE TE M6x16 ZN 5739	HEX CAP SCREW 6X16 GV 5739
31	42402834	LAM PROTEGGI DISCO ELEMENTO MSD	DISK PROTECTION
32	52252500	DADO M10 DIN980 ZN (AUTOB.)	LOCK NUT M10 GV DIN 980
33	52114417	VITE TE 8X85 ZN 5737	HEX SCREW 8X85 ZN 5737
34	32492800	ASS. TENSORE MOLLA ELEMENTO MSD	ASY. SPRING TIGHTENING MSD UNIT
35	42492808	LAM. FERMO REGOLAZIONE TENSIONE MOLLA ELEMENTO MSD	STILL ADJUSTING TENSION SPRING ELEMENT MSD
36	52323018	RONDELLA GREMBIALINA D 6x18 ZN 6593	WASHER D 6x18 ZN 6593
37	40406708	MOLLA DOSATORE SEME DISTRIBUTORE GRANO	SPRING
38	22402404	MONT. DISCO D350 E CUSCINETTO ELEM. DD	BUSH AUTOLUBE DE27 DI20 L.17 HEAD
39	32402801	ASS.MOZZO-DISCO APRISOLCO SEM. D350	ASS. HUB DISC SEM openers. D350
40	51160055	CUSCINETTO 6005 2RS 25x47x12 SKF	BEARING 6005 2RS 25x47x12 SKF
41	52417047	SEEGER E RW47 IN FILO DIN 7993	SNAP E RW47 DIN 7993
42	42492400	DADO BLOCCAGGIO DOPPIO DISCO ELEMENTO MSD	NUT

TAV.29-315-02 ELEMENTO POSTERIORE DOPPIO DISCO

TAV.29-315-02 DOUBLE DISC REAR UNIT

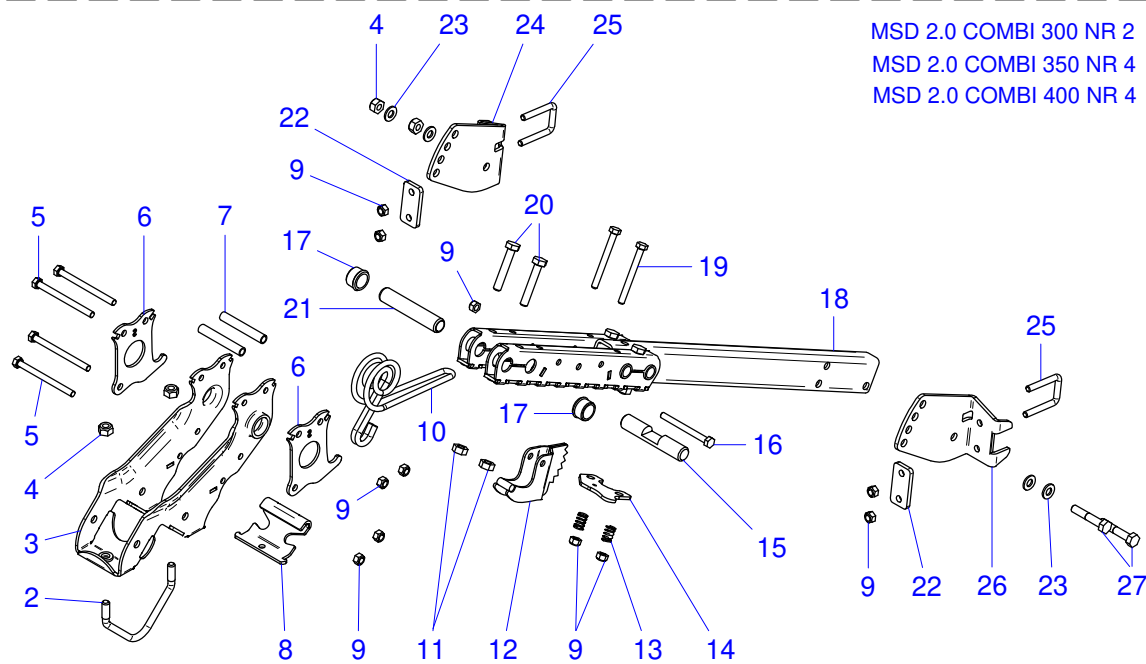
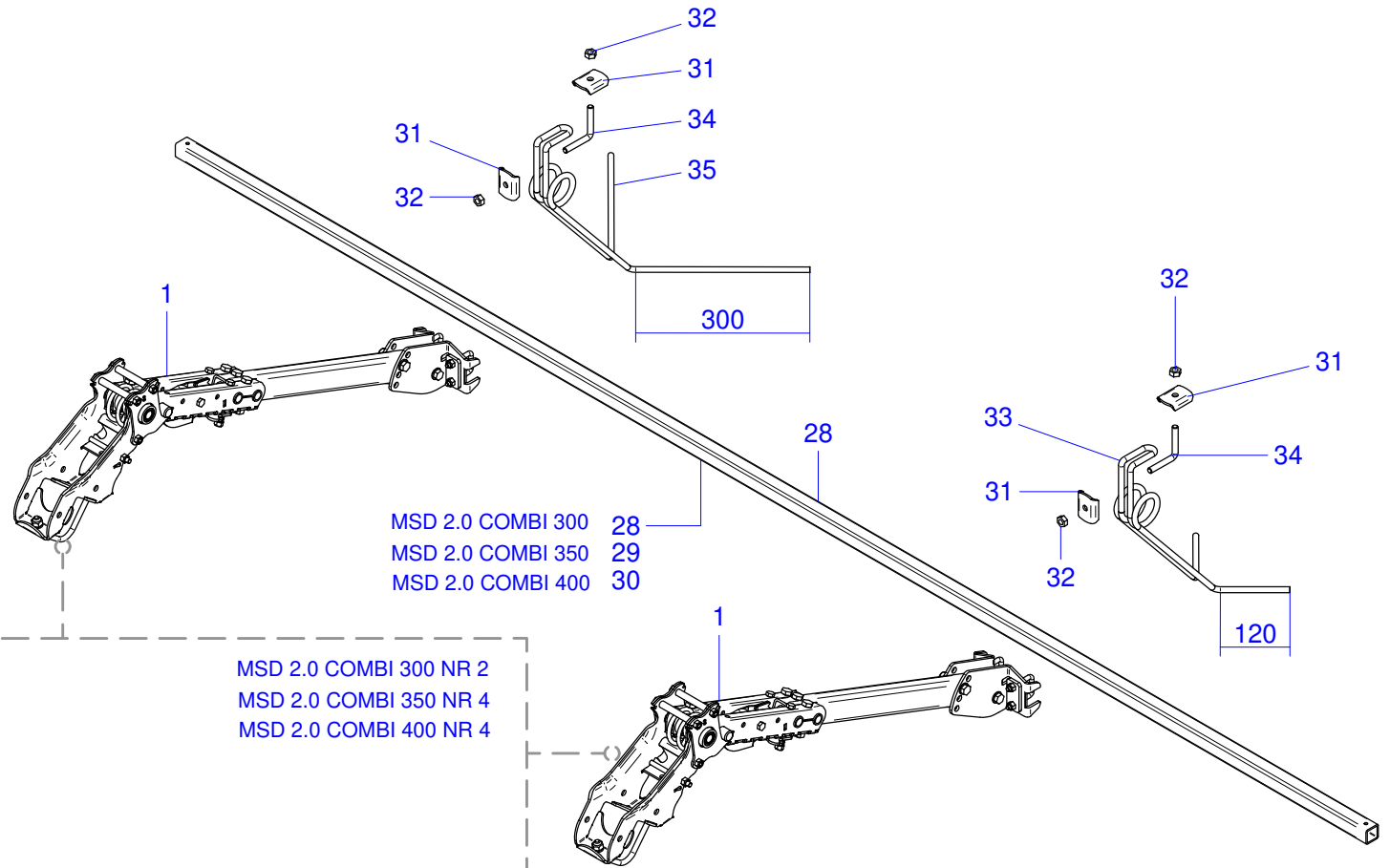


TAV.29-315-02 ELEMENTO POSTERIORE DOPPIO DISCO
TAV.29-315-02 DOUBLE DISC REAR UNIT

Pos.	Codice	ITA	ENG
1	22402403	MONT. ELEMENTO POST. DOPPIO DISCO	MOUT. DOUBLE DISC REAR UNIT
2	52182549	CAVALLOTTO M10X25 T81 L.82	U-BOLT M10x25 T81 L.82
3	55122050	MOLLA	SPRING
4	52153280	VITE TSP E.I. 8X100 ZN 7991	SCREW 8X100 ZN 7991
5	52252400	DADO M8 DIN980 ZN (AUTOB.)	LOCK NUT M 8 DIN 980
6	32402902	ASS. LAM. REGOLAZIONE RUOTINO ELEM. MSD 2.0	ASY. SHEET REGOLATION WHEEL ELEM. MSD 2.0
7	42492802	LAM. SPESSORE FISSAGGIO ELEMENTO MSD	MSD FIXING PLATE
8	52212500	DADO M10 UNI5588 ZN	HEX NUT M10 ZN 5588
9	52114421	VITE TE M8x105 ZN 5737	HEX CAP SCREW M8x105 GV 5737
10	22402803	MONT. SCATOLA FISSAGGIO ELEM. POST. MSD 2.0	MOUT. BOX FIX ELEM. REAR MSD 2.0
11	52114419	VITE TE 8X95 ZN 5737	HEAD BOLT 8x95
12	42492801	LAM. FISSAGGIO ELEMENTO MSD	FIXING PLATE FOR SEEDER
13	52252400	DADO M8 DIN980 ZN (AUTOB.)	LOCK NUT M 8 DIN 980
14	42402824	LAM. SPESSORE FISSAGGIO ELEMENTO MSD	MSD FIXING PLATE
15	54302002	BOCCOLA AUTOLUB. DE27 DI20 L.17	BUSH AUTOLUBE DE27 DI20 L.17 HEAD
16	42492803	TUBO BRACCIO ELEMENTO MSD	ARM TUBE ELEMENT MSD
17	52252500	DADO M10 DIN980 ZN (AUTOB.)	LOCK NUT M10 GV DIN 980
18	52114417	VITE TE 8X85 ZN 5737	HEX SCREW 8X85 ZN 5737
19	32492800	ASS. TENSORE MOLLA ELEMENTO MSD	ASY. SPRING TIGHTENING MSD UNIT
20	42492808	LAM. FERMO REGOLAZIONE TENSIONE MOLLA ELEMENTO MSD	STILL ADJUSTING TENSION SPRING ELEMENT MSD
21	40406708	MOLLA DOSATORE SEME DISTRIBUTORE GRANO	SPRING
22	52323018	RONDELLA GREMBIALINA D 6x18 ZN 6593	WASHER D 6x18 ZN 6593
23	52252300	DADO M6 DIN980 ZN (AUTOB.)	LOCK NUT M 6 ZN DIN 980
24	42402834	LAM PROTEGGI DISCO ELEMENTO MSD	DISK PROTECTION
25	52113303	VITE TE M6x16 ZN 5739	HEX CAP SCREW 6X16 GV 5739
26	52114512	VITE TE 10X60 ZN 5737	HEX HEAD BOLT 10x 60 UNI 5737
27	52114317	VITE TE 6X85 ZN 5737	HEX HEAD BOLT 6x 85 UNI 5737
28	22402802	MONT. CORPO ELEMENTO MSD	MOUNT MSD ELEMENT
29	42402403	PARATIA INTERNA ELEMENTO DOPPIO DISCO MSD	BULKHEAD
30	52113304	VITE TE M6x20 ZN 5739	HEX CAP SCREW 6X20 5739 GV
31	40482315	SCONTRO RASCHIATERRA GOMMATO DOPPIO DISCO GRANO	PLATE
32	40402310	RASCHIATERRA ELEMENTO DOPPIO DISCO MSD	SCAPER
33	42402404	LAM. SOSTEGNO RASCHIATERRA ELEMENTO MSD	SCRAPER SUPPORT
34	52442508	SPINA ELASTICA D 6X18 6873	SPRING PIN D 6X18 6873
35	42492820	PERNO FISSAGGIO DISCHI ELEMENTO MSD	FIXING PIN
36	42492811	PERNO DISCO APRISOLCO ELEMENTO MSD	PIN
37	52124516	VITE TCEI 10X80 ZN 5931	SCREWTCEI 10X80 ZN 5931
38	22402404	MONT. DISCO D350 E CUSCINETTO ELEM. DD	BUSH AUTOLUBE DE27 DI20 L.17 HEAD
39	32402801	ASS.MOZZO-DISCO APRISOLCO SEM. D350	ASS. HUB DISC SEM openers. D350
40	51160055	CUSCINETTO 6005 2RS 25x47x12 SKF	BEARING 6005 2RS 25x47x12 SKF
41	52417047	SEEGER E RW47 IN FILO DIN 7993	SNAP E RW47 DIN 7993
42	42492400	DADO BLOCCAGGIO DOPPIO DISCO ELEMENTO MSD	NUT

TAV.24-072-00 Erpice copriseme MSD 2.0 COMBI 300 - 350 - 400

TAV.24-072-00 Seedling harrow MSD 2.0 COMBI 300 - 350 - 400



TAV.24-072-00 Erpice copriseme MSD 2.0 COMBI 300 - 350 - 400

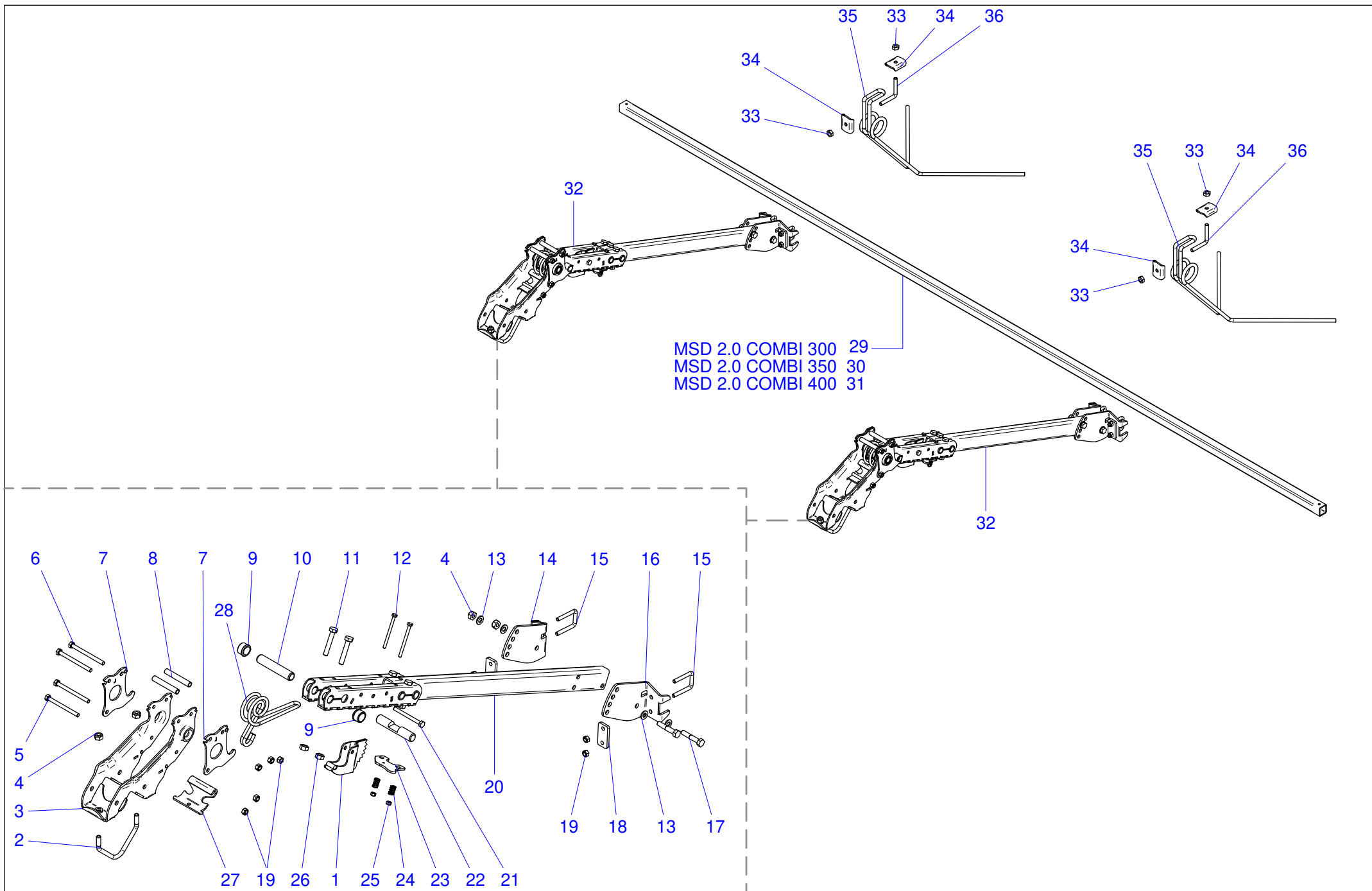
TAV.24-072-00 Seedling harrow MSD 2.0 COMBI 300 - 350 - 400

MaterMacc
an ARBOS Company

Pos.	Codice	ITA	ENG
1	22408045	MONT. BRACCIO ERPICE MSD COMBI	MOUT. ARM COVER SEED MSD COMBI
2	52182549	CAVALLOTTO M10X25 T81 L.82	U-BOLT M10x25 T81 L.82
3	42498040	LAM. FISSAGGIO BRACCIO ERPICE MSD	FIXING PLATE
4	52252500	DADO M10 DIN980 ZN (AUTOB.)	LOCK NUT M10 GV DIN 980
5	52114420	VITE TE 8X100 ZN 5737	HEX HEAD BOLT 8X100
6	42498088	LAM. FINECORSA BRACCIO ERPICE MSD	SHEET LIMIT ARM COWERING SEED MSD
7	42408074	TUBO DE 12 L.76	TUBE
8	42492802	LAM. SPESSORE FISSAGGIO ELEMENTO MSD	MSD FIXING PLATE
9	52252400	DADO M8 DIN980 ZN (AUTOB.)	LOCK NUT M 8 DIN 980
10	55122050	MOLLA	SPRING
11	52212500	DADO M10 UNI5588 ZN	HEX NUT M10 ZN 5588
12	32492800	ASS. TENSORE MOLLA ELEMENTO MSD	ASY. SPRING TIGHTENING MSD UNIT
13	40406708	MOLLA DOSATORE SEME DISTRIBUTORE GRANO	SPRING
14	42492808	LAM. FERMO REGOLAZIONE TENSIONE MOLLA ELEMENTO MSD	STILL ADJUSTING TENSION SPRING ELEMENT MSD
15	42498043	PERNO FINECORSA BRACCIO ERPICE MSD	PIN LIMIT
16	52114417	VITE TE 8X85 ZN 5737	HEX SCREW 8X85 ZN 5737
17	54302002	BOCCOLA AUTOLUB. DE27 DI20 L.17	BUSH AUTOLUBE DE27 DI20 L.17 HEAD
18	32408033	ASS. BRACCIO ERPICE COPRISEME MSD COMBI '16	ASY. ARM COVER SEED MSD COMBI '16
19	52114416	VITE TE 8X80 ZN 5737	HEX HEAD BOLT 8x 80 UNI 5737
20	52114512	VITE TE 10X60 ZN 5737	HEX HEAD BOLT 10x 60 UNI 5737
21	42492803	TUBO BRACCIO ELEMENTO MSD	ARM TUBE ELEMENT MSD
22	40408004	"SCONTRO LAMIERA AD ""L"" SUPPOR. ERPICE MSD"	PLATE
23	52325000	RONDELLA PIANA D10 ZN 6592	FLAT WASHER D10 ZN UNI EN ISO 7089
24	40498035	LAMIERA DX SUPP. TUBO ERPICE	PLATE
25	52182415	CAVALLOTTO M8x20 Q31 L55	U-BOLT M8x20 Q31 L55 (vs cod 60761035)
26	40498036	LAMIERA SX SUPP. TUBO ERPICE	PLATE
27	52114511	VITE TE 10X55 ZN 5737	HEX HEAD BOLT 10x 60 UNI 5737
28	41095660	TUBO QUADRO 30x30x3 L 2900	SQUARE TUBE 30x30x3 L 2900
29	41095654	TUBO QUADRO 30x30x3 L 1700	SQUARE TUBE 30x30x3 L 1700
30	41095656	TUBO QUADRO 30x30x3 L 2000	SQUARE TUBE 30x30x3 L 2000
31	40488016	RONDELLA PIEGATA A U FERMO MOLLA ERPICE	WASHER
32	52212500	DADO M10 UNI5588 ZN	HEX NUT M10 ZN 5588
33	55124007	MOLLA SPECIALE F10 ERPICE MSD L.120	#N/D
34	52182470	"CAVALLOTTO M10 SPEC. AD ""L"" MOLLA ERPICE"	"U-BOLT M10 SPEC. AD ""L"" MOLLA ERPICE"
35	55124008	MOLLA SPECIALE F10 ERPICE MSD L.300	#N/D

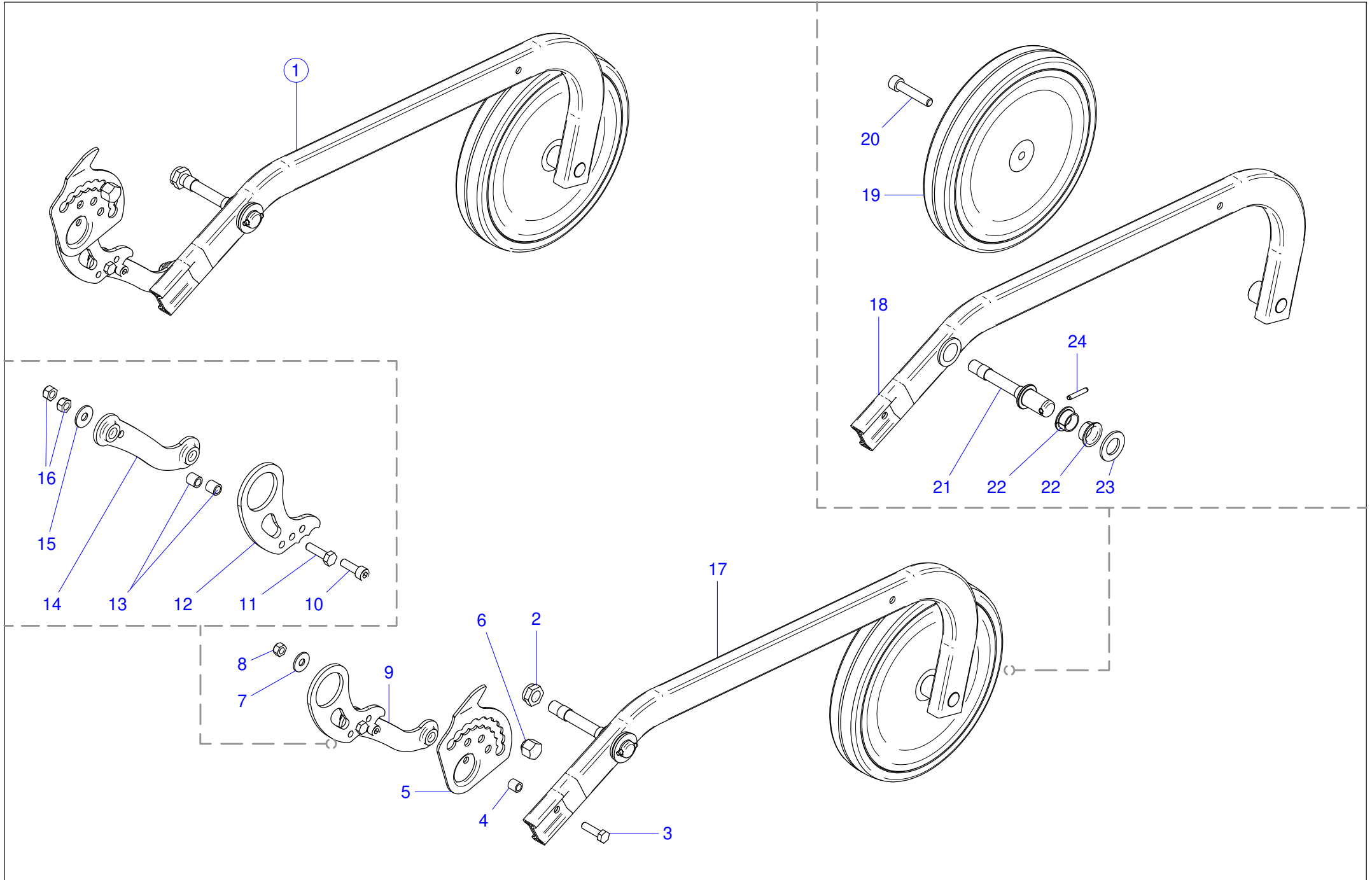
TAV.24-073-00 Erpice copriseme MSD 2.0 COMBI 300-350-400 (in presenza di ruotino)

TAV.24-073-00 Seedling harrow MSD 2.0 COMBI 300-350-400 (with seed pressing wheel)



TAV.24-073-00 Erpice copriseme MSD 2.0 COMBI 300-350-400 (in presenza di ruotino)
TAV.24-073-00 Seedling harrow MSD 2.0 COMBI 300-350-400 (with seed pressing wheel)

Pos.	Codice	ITA	ENG
1	32492800	ASS. TENSORE MOLLA ELEMENTO MSD	ASY. SPRING TIGHTENING MSD UNIT
2	52182549	CAVALLOTTO M10X25 T81 L.82	U-BOLT M10x25 T81 L.82
3	42498040	LAM. FISSAGGIO BRACCIO ERPICE MSD	FIXING PLATE
4	52252500	DADO M10 DIN980 ZN (AUTOB.)	LOCK NUT M10 GV DIN 980
5	52114419	VITE TE 8X95 ZN 5737	HEAD BOLT 8x95
6	52114420	VITE TE 8X100 ZN 5737	HEX HEAD BOLT 8X100
7	42498041	LAM. FINECORSA BRACCIO ERPICE MSD	SHEET METAL LIMIT
8	42408074	TUBO DE 12 L.76	TUBE
9	54302002	BOCCOLA AUTOLUB. DE27 DI20 L.17	BUSH AUTOLUBE DE27 DI20 L.17 HEAD
10	42492803	TUBO BRACCIO ELEMENTO MSD	ARM TUBE ELEMENT MSD
11	52114512	VITE TE 10X60 ZN 5737	HEX HEAD BOLT 10x 60 UNI 5737
12	52114316	VITE TE 6X80 ZN 5737	HEX HEAD BOLT 6x 80 UNI 5737
13	52325000	RONDELLA PIANA D10 ZN 6592	FLAT WASHER D10 ZN UNI EN ISO 7089
14	40498035	LAMIERA DX SUPP. TUBO ERPICE	PLATE
15	52182415	CAVALLOTTO M8x20 Q31 L55	U-BOLT M8x20 Q31 L55 (vs cod 60761035)
16	40498036	LAMIERA SX SUPP. TUBO ERPICE	PLATE
17	52114511	VITE TE 10X55 ZN 5737	HEX HEAD BOLT 10x 60 UNI 5737
18	40408004	"SCONTRIO LAMIERA AD ""L"" SUPPOR. ERPICE MSD"	PLATE
19	52252400	DADO M8 DIN980 ZN (AUTOB.)	LOCK NUT M 8 DIN 980
20	32498016	ASS. BRACCIO ERPICE COPRISEME MSD '16	ASY. ARM COVER SEED MSD '16
21	52114417	VITE TE 8X85 ZN 5737	HEX SCREW 8X85 ZN 5737
22	42498043	PERNO FINECORSA BRACCIO ERPICE MSD	PIN LIMIT
23	42492808	LAM. FERMO REGOLAZIONE TENSIONE MOLLA ELEMENTO MSD	STILL ADJUSTING TENSION SPRING ELEMENT MSD
24	40406708	MOLLA DOSATORE SEME DISTRIBUTORE GRANO	SPRING
25	52252300	DADO M6 DIN980 ZN (AUTOB.)	LOCK NUT M 6 ZN DIN 980
26	52212500	DADO M10 UNI5588 ZN	HEX NUT M10 ZN 5588
27	42492802	LAM. SPESSORE FISSAGGIO ELEMENTO MSD	MSD FIXING PLATE
28	55122050	MOLLA	SPRING
29	41095660	TUBO QUADRO 30x30x3 L 2900	SQUARE TUBE 30x30x3 L 2900
32	22408041	MONT. BRACCIO ERPICE MSD	MOUT. ARM COVER SEED
33	52212500	DADO M10 UNI5588 ZN	HEX NUT M10 ZN 5588
34	40488016	RONDELLA PIEGATA A U FERMO MOLLA ERPICE	WASHER
35	55124008	MOLLA SPECIALE F10 ERPICE MSD L.300	#N/D
36	52182470	"CAVALLOTTO M10 SPEC. AD ""L"" MOLLA ERPICE"	"U-BOLT M10 SPEC. AD ""L"" MOLLA ERPICE"

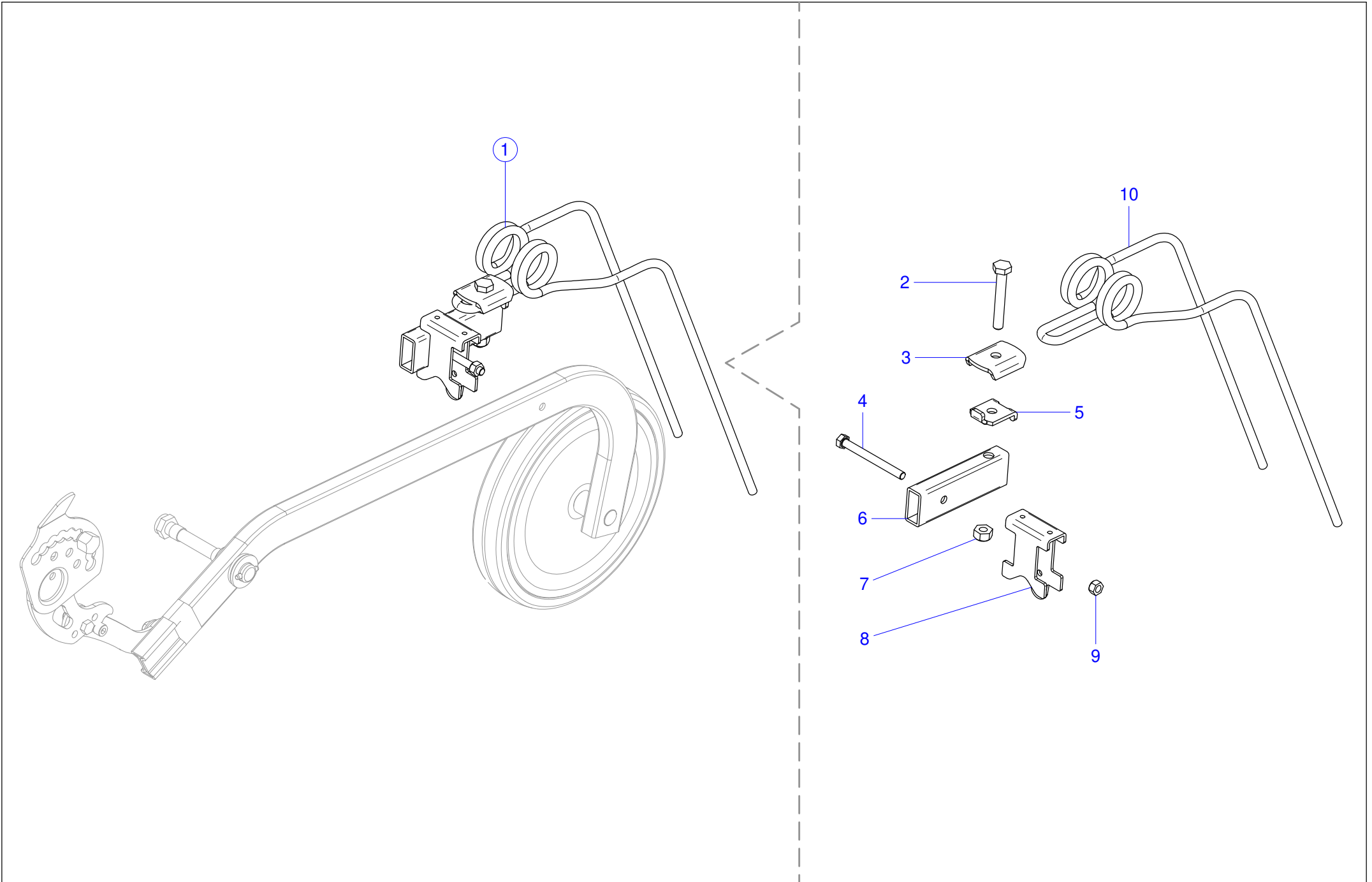


TAV.29-330-02 Ruotino premiseme
TAV.29-330-02 Seed pressing wheel

Pos.	Codice	ITA	ENG
1	22402901	RUOTINO MSD	MONT. WHEEL
2	52252904	DADO AUTOB. M14X1,5 ZN DIN 985	LOCK NUT M14X1,5 ZN DIN 985
3	52113490	VITE TE 8X30 ZN 5739 10.9	HEX HEAD BOLT 8x 30 UNI 5739 10.9
4	42402904	BOCCOLA DE 12 DI 8.2 L. 11.5	BUSHING
5	42492902	LAM. GRADUATA REGOLAZIONE RUOTINO ELEMENTO MSD	SHEET
6	42492903	DADO FERMO REGOLAZIONE RUOTINO ELEMENTO MSD	BOLT WHEEL REGULATION
7	52324024	RONDELLA GREMBIALINA D 8x24 ZN 6593	FLAT WASHER 8x 24 UNI EN ISO 7093
8	52252400	DADO M8 DIN980 ZN (AUTOB.)	LOCK NUT M 8 DIN 980
9	22402903	MONT. LEVERISMO RUOTINO PREMISEME MSD 2.0	MOUT. LINKAGE WHEEL FOR MSD 2.0 HARROW
10	52124406	VITE TCEI M8x30 ZN 5931	SCREW TCEI 8X30 GV 5931
11	52113490	VITE TE 8X30 ZN 5739 10.9	HEX HEAD BOLT 8x 30 UNI 5739 10.9
12	42492901	LAM. FINECORSIA REGOLAZIONE ELEMENTO MSD	SHEET
13	42402904	BOCCOLA DE 12 DI 8.2 L. 11.5	BUSHING
14	42492905	LAM. COLLEGAMENTO REGOLAZIONE PROFONDITA' RUOTINO ELEMENTO MSD	SHEET
15	52324024	RONDELLA GREMBIALINA D 8x24 ZN 6593	FLAT WASHER 8x 24 UNI EN ISO 7093
16	52252400	DADO M8 DIN980 ZN (AUTOB.)	LOCK NUT M 8 DIN 980
17	22402904	PREMONT. RUOTINO PREMISEME MSD 2.0	WASHER D20 ZN 6592
18	32402901	ASS. BRACCIO RUOTINO ELEMENTO MSD	ASY. ARM WHEEL ELEMENT MSD
19	55411513	RUOTA COMPLETA FLEX 250x40	WHEEL
20	52124510	VITE TCEI 10X50 ZN 5931	SCREW 10X50 ZN 5931
21	42402926	PERNO RUOTINO ELEMENTO MSD	WHEEL PIN MSD
22	51320043	BOCCOLA AUTOLUBR. DE23 DI20 L11.5 TESTA D30	BUSH 23 20 11.5
23	52329001	RONDELLA PIANA D20 ZN 6592	WASHER D20 ZN 6592
24	52442414	SPINA ELASTICA D 5X30 ZN 6873	ELASTIC PIN D 5X30 ZN 6873

TAV.29-331-01 Erpice

TAV.29-331-01 Harrow

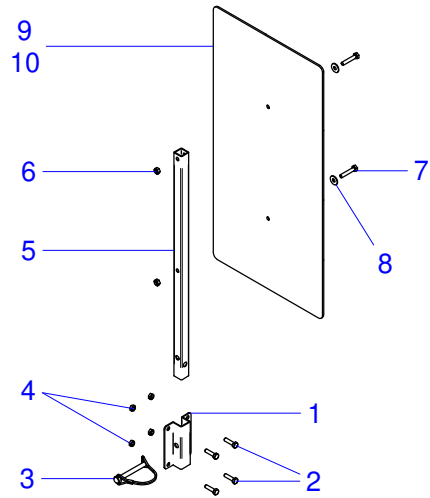


TAV.29-331-01 Erpice
TAV.29-331-01 Harrow

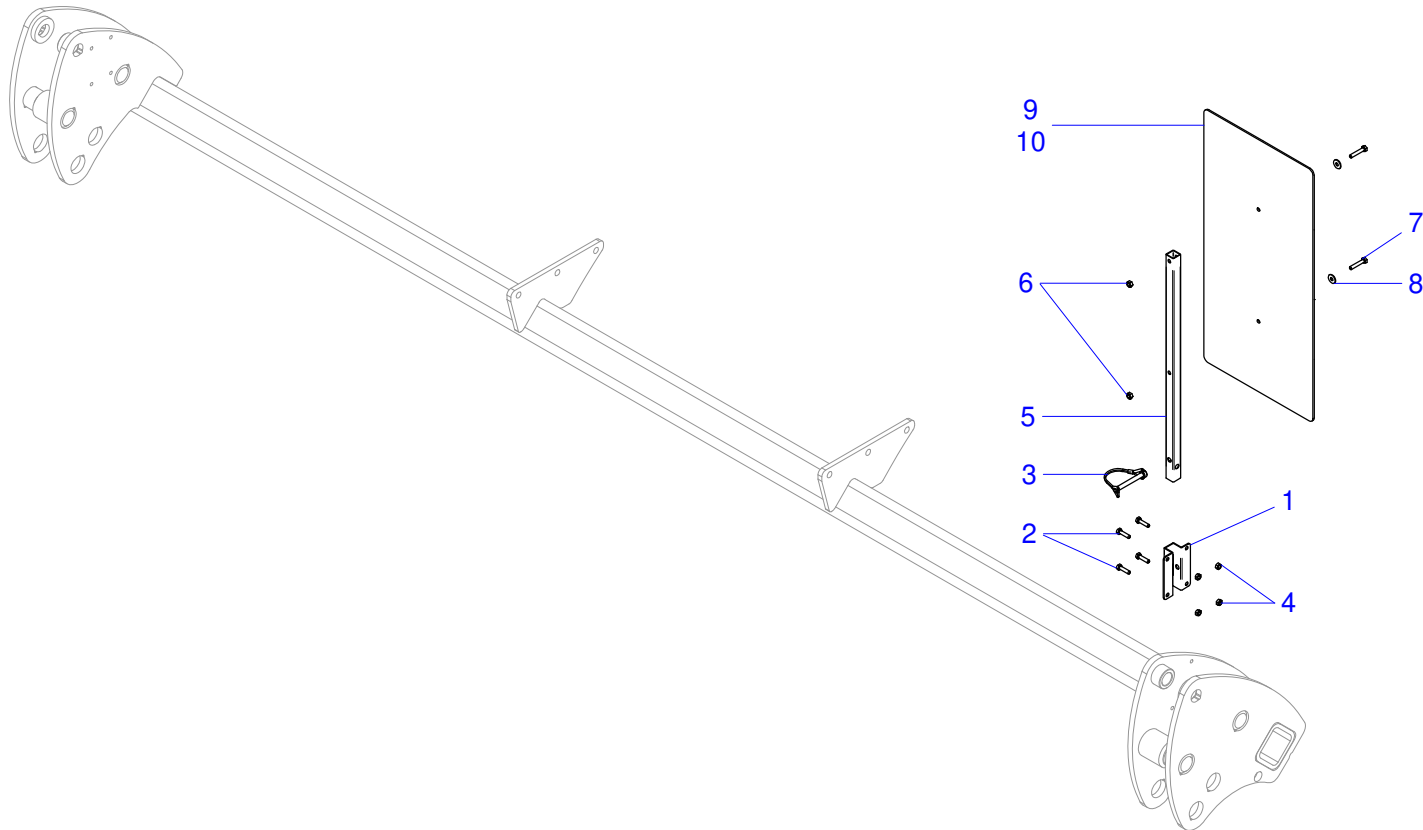
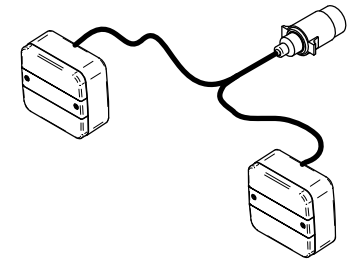
Pos.	Codice	ITA	ENG
1	22402902	ERPICE PER RUOTINO MSD 2.0	HARROW FOR WHEEL MSD 2.0
2	52114514	VITE TE 10X70 ZN 5737	HEX CAP SCREW 10X70 5737 GV
3	40488016	RONDELLA PIEGATA A U FERMO MOLLA ERPICE	WASHER
4	52114417	VITE TE 8X85 ZN 5737	HEX SCREW 8X85 ZN 5737
5	42492910	LAM. CENTRAGGIO MOLLA ERPICE RUOTINO ELEMENTO MSD	SHEET HARROW WHEEL SUPPORT ELEM. MSD
6	42492911	TUBO SUPPORTO MOLLA ERPICE RUOTINO ELEMENTO MSD	TUBE
7	52252500	DADO M10 DIN980 ZN (AUTOB.)	LOCK NUT M10 GV DIN 980
8	42492909	LAM. SOSTEGNO ERPICE RUOTINO ELEM. MSD	SHEET HARROW WHEEL SUPPORT ELEM. MSD
9	52252400	DADO M8 DIN980 ZN (AUTOB.)	LOCK NUT M 8 DIN 980
10	55124031	Molla erpice ruotino	Spring

TAV.24-070-00 Tabelle luci d'ingombro MSD 2.0 COMBI 300 - 350 - 400

TAV.24-070-00 Overall clearance tables MSD 2.0 COMBI 300 - 350 - 400



11

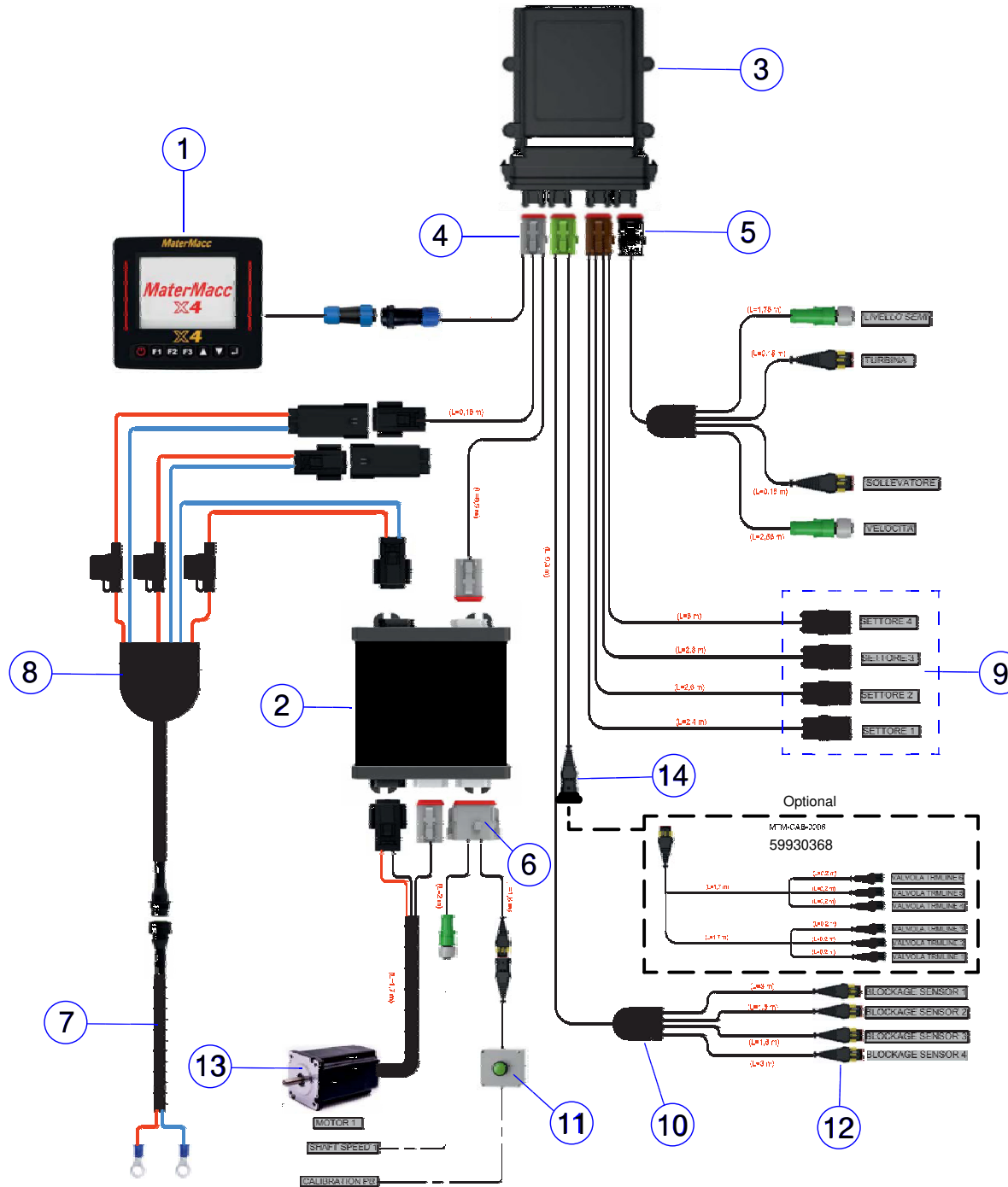


TAV.24-070-00 Tabelle luci d'ingombro MSD 2.0 COMBI 300 - 350 - 400
TAV.24-070-00 Overall clearance tables MSD 2.0 COMBI 300 - 350 - 400

Pos.	Codice	ITA	ENG
1	40282331	OMEGA SUPPORTO TUBO PANNELLO	SUPPORT TUBE PANEL
2	52113305	VITE TE M6x25 ZN 5739	HEX CAP SCREW 6X25 GV 5739
3	52440020	SPINOTTO PER MOTOZAPPA Ø8 L.80	PIN
4	52212300	DADO M6 UNI5588 ZN	HEX NUT M6 DIN 934 GV
5	40282332	TUBO FISSAGGIO PANNELLO	TUBE FIX PANEL
6	52252300	DADO M6 DIN980 ZN (AUTOB.)	LOCK NUT M 6 ZN DIN 980
7	52113307	VITE TE M6x35 ZN 5739	HEX CAP SCREW 6X35 EN ISO 4017
8	52323018	RONDELLA GREMBIALINA D 6x18 ZN 6593	WASHER D 6x18 ZN 6593
9	09090060B	BASE KIT N°2 TABELLE INGOMBRO (con fori vs 24033001)	BASE KIT N ° 2 OVERALL TABLES
10	09090065B	BASE KIT 2 TAB. INGOMBRO BIANCO-ROSSO (con fori vs 24127001)	BASE KIT 2 TAB. RED END WHITE
11	09090061B	BASE KIT CABLAGGIO LUCI	BASE LIGHT WIRING KIT

TAV.29-420-00 Kit monitor centralina X4

TAV.29-420-00 X4 Controller Monitor Kit

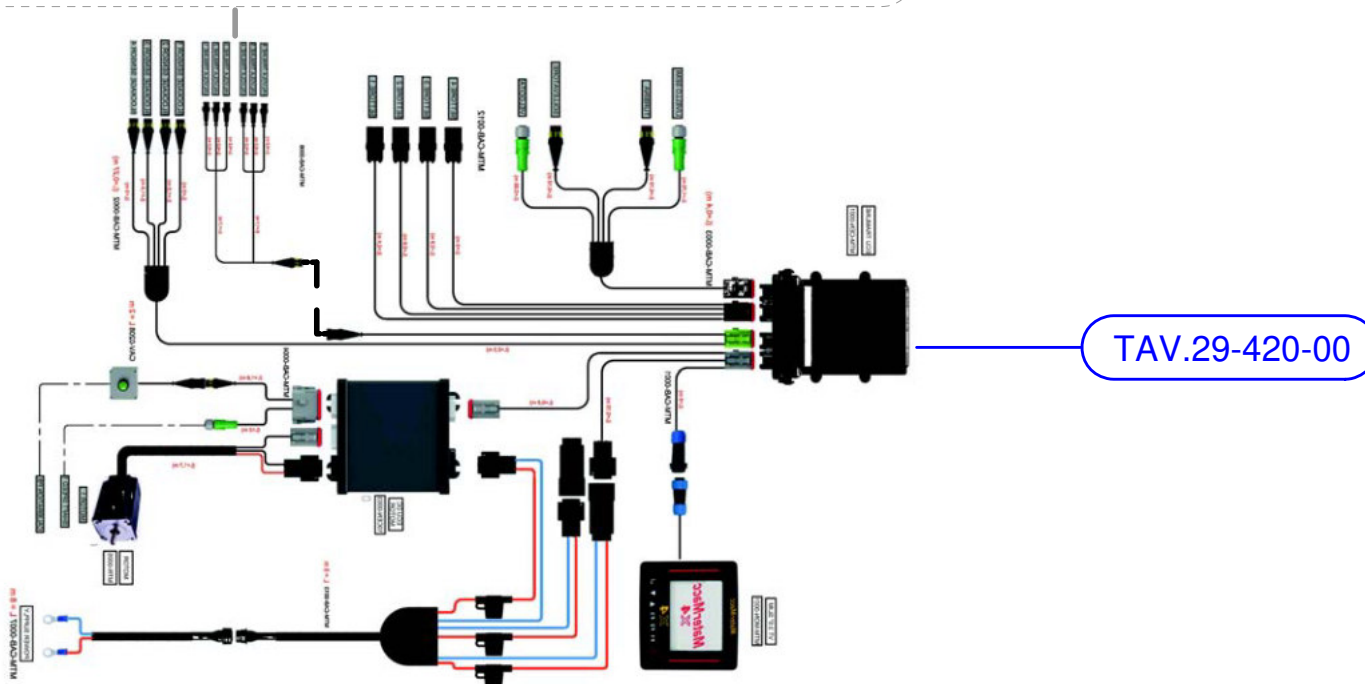
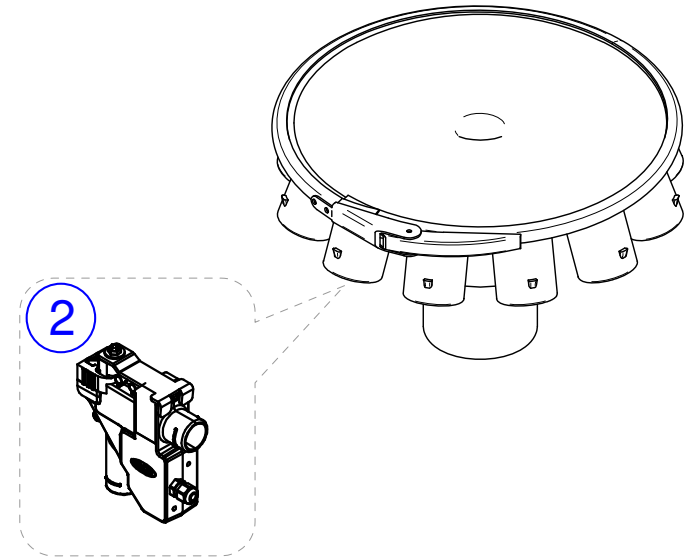
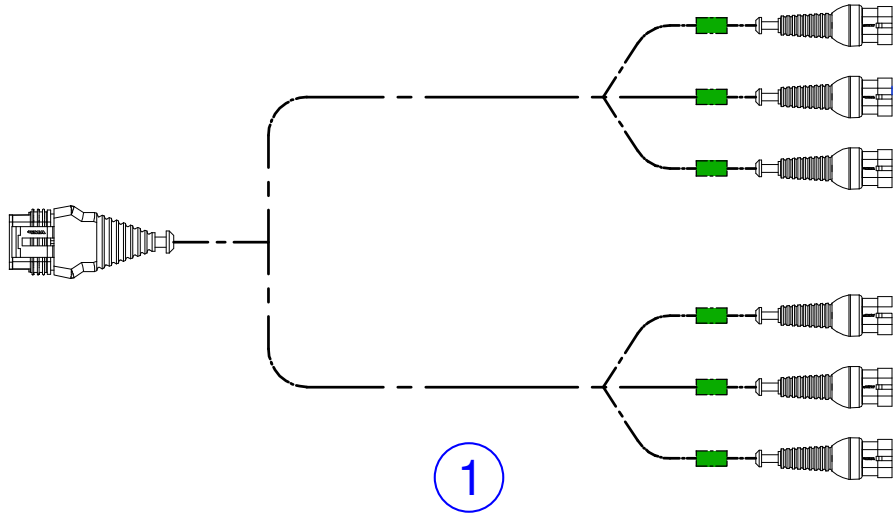


TAV.29-420-00 Kit monitor centralina X4
TAV.29-420-00 X4 Controller Monitor Kit

Pos.	Codice	ITA	ENG
1	59920001	"VIRTUAL TERMINAL ""X4""	"VIRTUAL TERMINAL ""X4""
2	59920010	"ECU MOTORE ""X4""	"ECU ENGINE ""X4""
3	59920023	ECU TRAMLINE+SHUTOFF 'X4'	ECU TRAMLINE+SHUTOFF 'X4'
4	59930354	"CAB. VT - ECU ""X4""	"VT- ECU HARNESS ""X4""
5	59930356	"CAB. SENSORI ACCESSORI ""X4""	"ACCESSORY SENSORS HARN. ""X4""
6	59930357	"CAB. SENSORE MOTORE - PULS. CALIB. ""X4""	"MOTOR SENSOR - CALIB. BUTTON HARNESS ""X4""
7	59930369	"CABLAGGIO ALIMENTAZIONE BATTERIA ""X4""	"BATTERY POWER HARNESS ""X4""
8	59930384	"CAVO ALIMENTAZIONE CON MUFFOLA ""X4""	"POWER CABLE WITH FLASK ""X4""
9	59930385	"CABLAGGIO COLLEGAMENTO ESCLUS. SETTORI ""X4""	"SECTORS SHUT OFF HARNESS ""X4""
10	59930355	"CABLAGGIO TRAMLINE-FLUSSO ""X4""	"TRAMLINE-FLUX HARNESS ""X4""
11	59930358	"PULSANTE CALIBRAZIONE CON SCATOLA E CABLAGGIO ""X4""	"CALIBRATION BUTTON WITH BOX AND WIRING ""X4""
12	59940061	"SENSORE DI FLUSSO ""X4""	"FLOW SENSOR ""X4""
13	59930351	"MOTORE 250W ""X4""	"ENGINE 250W ""X4""
14	59930391	TAPPO CIECO	BLIND STOOPER
-	59930368	"CABLAGGIO VALVOLE TR ""X4""	"TRAMLINE VALVES ""X4""

TAV.29-426-00 Valvole Tramline

TAV.29-426-00 Tramline valve



TAV.29-426-00 Valvole Tramline

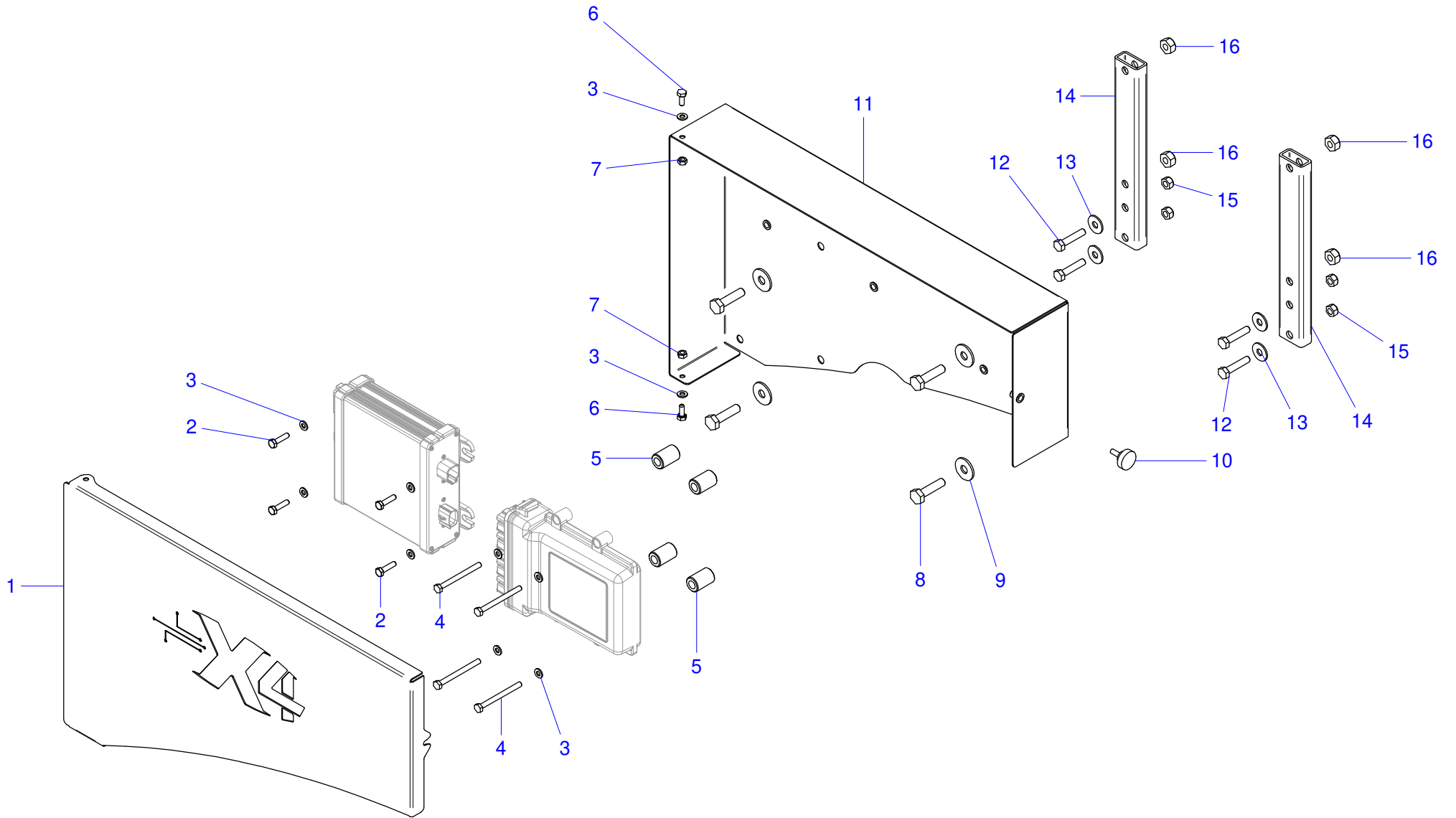
TAV.29-426-00 Tramline valve

MaterMacc
an **ARBOS** Company

Pos.	Codice	ITA	ENG
------	--------	-----	-----

1	59930368	"CABLAGGIO VALVOLE TR ""X4"""
2	59930352	"VALVOLA TRAMLINE ""X4"""

"TRAMLINE VALVES ""X4"""
"VALVE TRAMLINE ""X4"""

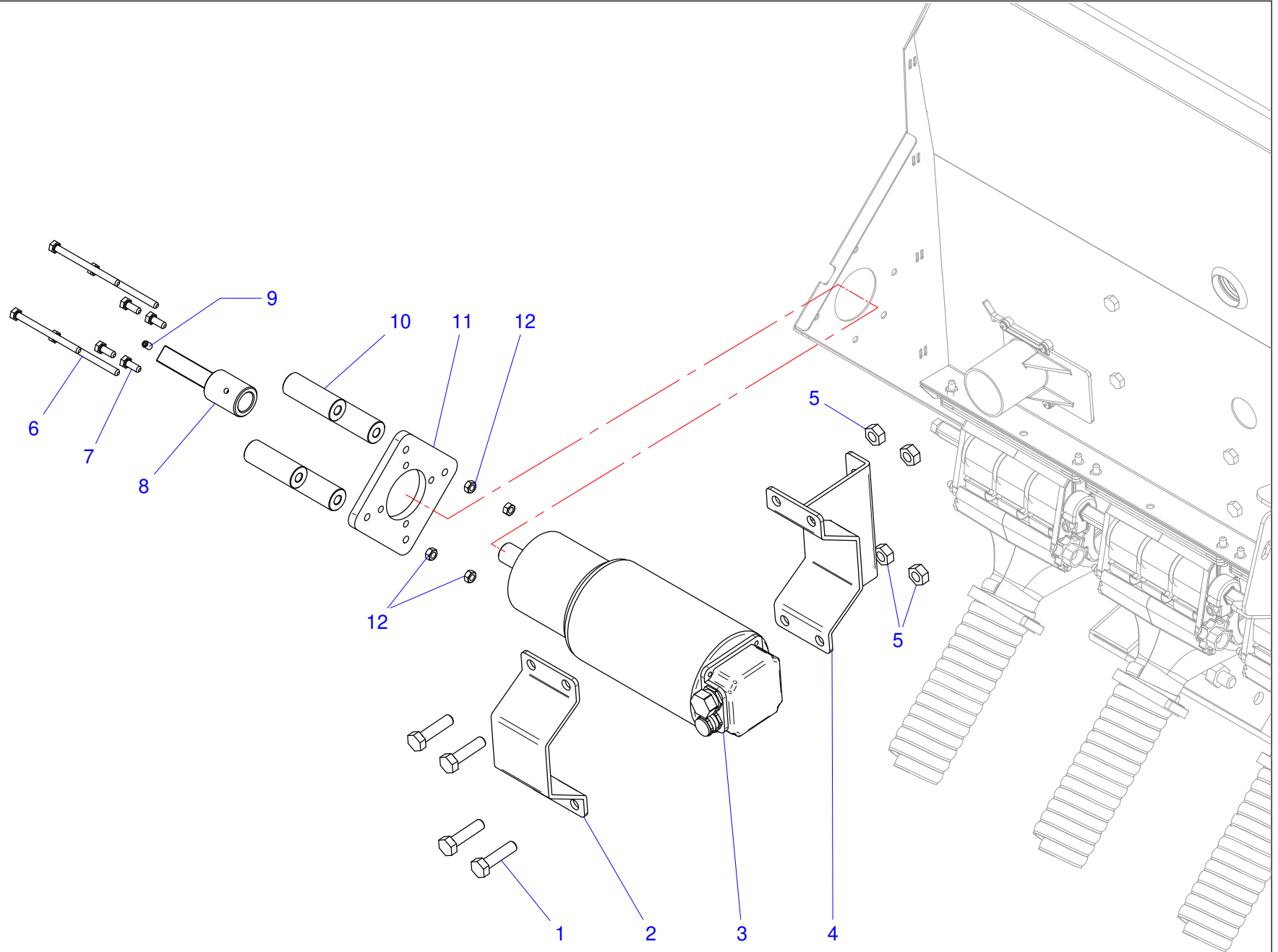


TAV.29-421-01 Scatola centralina X4
TAV.29-421-01 X4 control box

Pos.	Codice	ITA	ENG
1	42459004VE	LAM.COPERCHIO SCATOLA ELET. MSD 2.0	SHEET PLUG ELECTRICAL BOX MSD 2.0
2	52113305	VITE TE M6x25 ZN 5739	HEX CAP SCREW 6X25 GV 5739
3	52323000	RONDELLA PIANA D 6 ZN 6592	FLAT WASHER D 6 ZN 6592
4	52114314	VITE TE 6X70 ZN 5737	HEX HEAD BOLT 6x 70 UNI 5737
5	40582428	BOCCOLA CIL DE20.0 DI11.0 L.30	BUSHING
6	52113303	VITE TE M6x16 ZN 5739	HEX CAP SCREW 6X16 GV 5739
7	52212300	DADO M6 UNI5588 ZN	HEX NUT M6 DIN 934 GV
8	52114508	VITE TE 10X40 ZN 5737	HEX HEAD BOLT 10x 40 UNI 5737
9	52315030	RONDELLA GREMBIULINA D10x30 GREZZO 6593	FLAT WASHER D10x30 6593
10	52100003	VOLANTINO D.25 M6X15 1053/M	KNOB
11	32459002VE	ASS. SCATOLA ELET. MSD 2.0	ASY. ELECTRICAL BOX MSD 2.0
12	52113408	VITE TE M8x40 ZN 5739	HEX CAP SCREW 8X40 GV EN ISO 4017
13	52324024	RONDELLA GREMBIALINA D 8x24 ZN 6593	FLAT WASHER 8x 24 UNI EN ISO 7093
14	42459007VB	TUBO SUPPORTO SCATOLA ELET. MSD 2.0	TUBE SUPPORT ELECT. BOX MSD 2.0
15	52252400	DADO M8 DIN980 ZN (AUTOB.)	LOCK NUT M 8 DIN 980
16	52252500	DADO M10 DIN980 ZN (AUTOB.)	LOCK NUT M10 GV DIN 980

TAV.29-423-00 Motore centralina X4

TAV.29-423-00 X4 powertrain engine

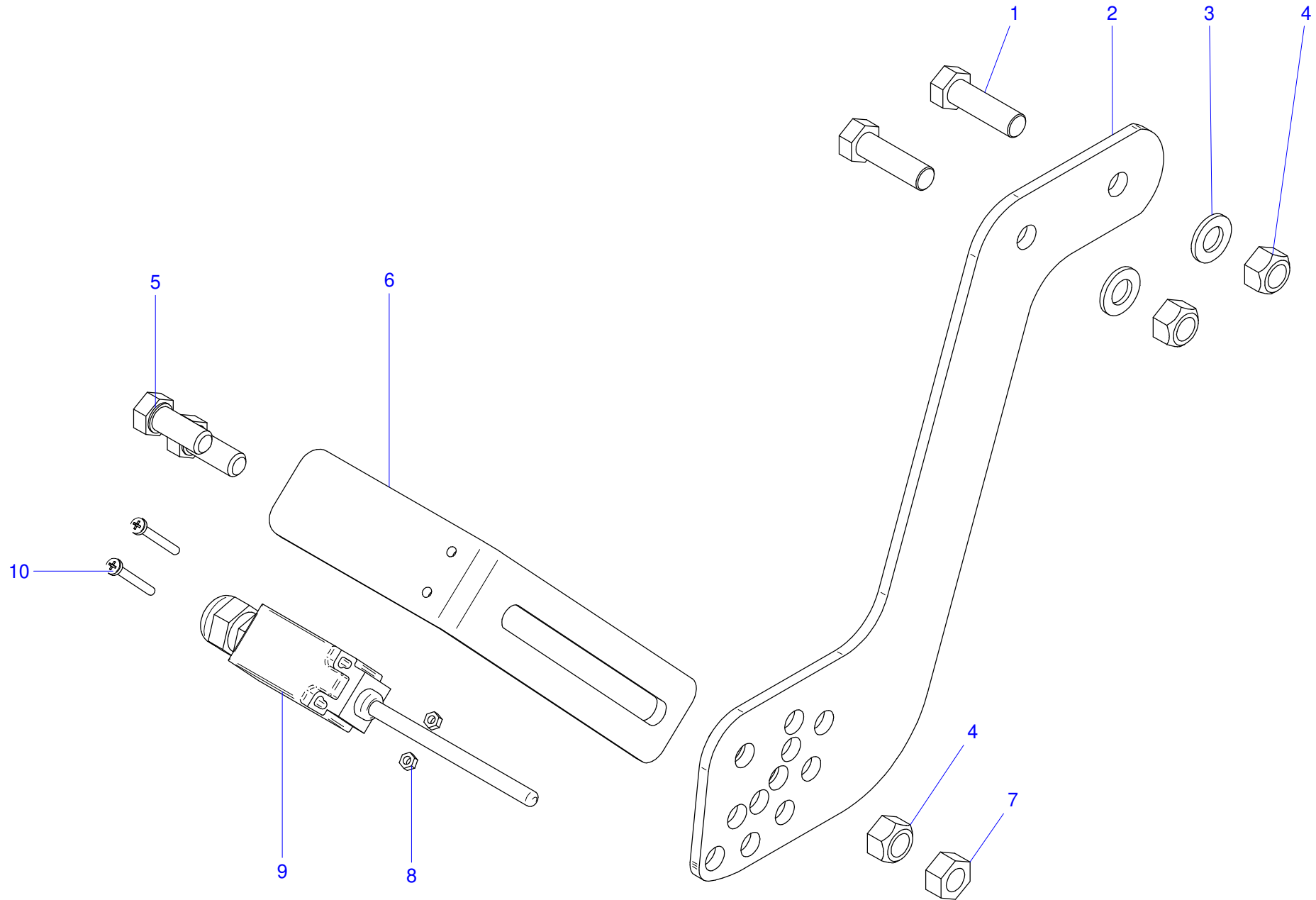


TAV.29-423-00 Motore centralina X4
TAV.29-423-00 X4 powertrain engine

Pos.	Codice	ITA	ENG
1	52113508	VITE TE 10X40 ZN 5739	HEX CAP SCREW 10X40 GV EN ISO 4014
2	42459001	LAM. COLLARE SUPPORTO MOTORE MSD	SHEET COLLAR SUPPORT ENGINE MSD
3	59930351	"MOTORE 250W ""X4""	"ENGINE 250W ""X4""
4	32459001	ASS. COLLARE SUPPORTO MOTORE MSD	ASY. COLLAR SUPPORT ENGINE MSD
5	52212500	DADO M10 UNI5588 ZN	HEX NUT M10 ZN 5588
6	52114316	VITE TE 6X80 ZN 5737	HEX HEAD BOLT 6x 80 UNI 5737
7	52113303	VITE TE M6x16 ZN 5739	HEX CAP SCREW 6X16 GV 5739
8	42459008	BOCCOLA TRASM. MOTORE ELET. MSD 2.0	BUSH
9	521141510	VITE STEI E.C. 6X10 ZN 5929	SCREW 6X10 ZN 5929
10	40582116	BOCCOLA CIL. Øe 22 Øi 8,5 L60	BUSH
11	42459003	LAM. FISSAGGIO MOTORE MSD	SHEET FIX ENGINE MSD
12	52212300	DADO M6 UNI5588 ZN	HEX NUT M6 DIN 934 GV

TAV.24-075-00 Supporto sensore

TAV.24-075-00 Sensor support



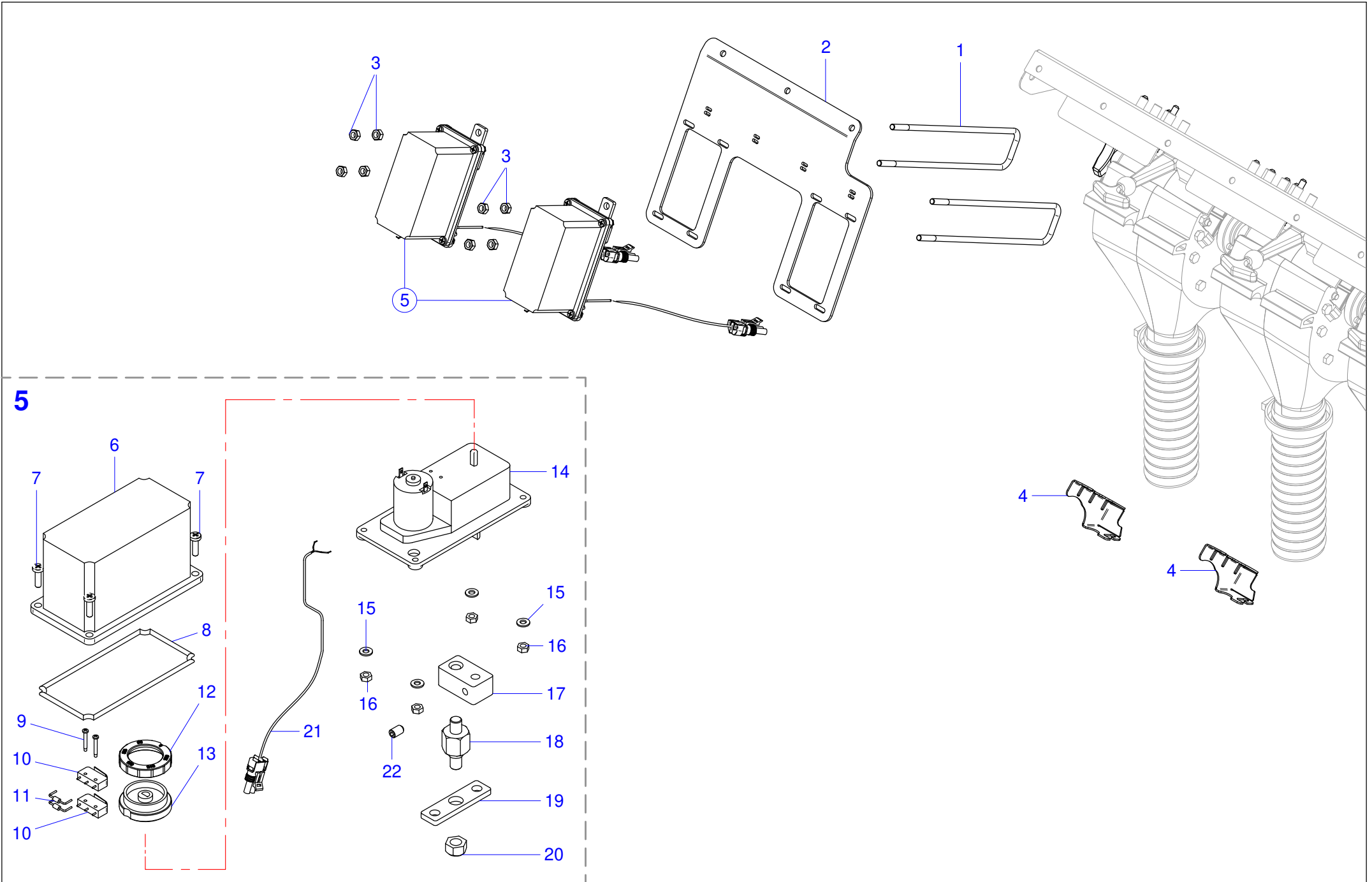
TAV.24-075-00 Supporto sensore

TAV.24-075-00 Sensor support

Pos.	Codice	ITA	ENG
1	52113608	VITE TE 12X40 ZN 5739	HEX HEAD BOLT 12x 40 UNI 5739
2	40204359	LAM. SUPPORTO SENSORE MSD COMBI	SHEET SUPPORT SENSOR MSD COMBI
3	52326000	RONDELLA PIANA D12 ZN 6592	WASHER D12 UNI 6592 GV
4	52252600	DADO M12 DIN980 ZN (AUTOB.)	LOCK NUT M12 DIN 980 GV
5	52113606	VITE TE 12X30 ZN 5739	HEX CAP SCREW 12X30 GV 5739
6	40204358	LAMA FISSAGGIO SENSORE	SHEET FIX SENSOR
7	52212600	DADO M12 UNI5588 ZN	NUT M12 UNI 5588 GV
8	52212100	DADO M4 UNI5588 ZN	HEX NUT M4 DIN 934
9	59950028	SENSORE ASTAFLEX	ASTAFLEX SENSOR
10	52151242	VITE TCB+ M 4X35 ZN 7985	SCREW TCB+ M 4X14 ZN 7985

TAV.29-425-00 Motore esclusione settore

TAV.29-425-00 Engine Exclusion Sector



TAV.29-425-00 Motore esclusione settore
TAV.29-425-00 Engine Exclusion Sector

Pos.	Codice	ITA	ENG
1	42405026	BIELLA SGANCIO ELETTRICO MSD 2.0	ROD RELEASE ELECTRIC MSD 2.0
2	42405029	LAM. SOSTEGNO MOTORE SGANCIO	SHEET SUPPORT MOTOR UNLOCK
3	52212300	DADO M6 UNI5588 ZN	HEX NUT M6 DIN 934 GV
4	42405027	LAM. FERMO LEVA MSD 2.0	SHEET STOP LEVER MSD 2.0
5	20901416	MOTORID 5g/min 180° DISINNESTO DISTRIB. MSD 2,0	GEARMOTOR 5g/min 180° DISTRIB. MSD 2,0
6	54902001	COPERCHIO MOTORIDUTTORE ABS NE	#N/D
7	52151236	VITE TCB+ M 4X14 ZN 7985	SCREW TCB+ M 4X14 ZN 7985
8	56210004	GUARNIZIONE GOMMA NITRILICA Ø3	#N/D
9	52131205	VITE AF TCB+2,2X16 ZN 6954	SELF TAPPING SCREW+2,2X16 ZN 6954
10	59220002	MICROINT. OMRON SS5GL13	#N/D
11	59610001	DIODO 1N 4007	#N/D
12	54902108	CAMMA DE36 Z50 MODULO 0.6	#N/D
13	54902107	PORTA CAMMA SEMPLICE	#N/D
14	59820002	MOTORIDUTTORE PL. 12V 5 g/minVS COD. 6220005	#N/D
15	52321000	RONDELLA PIANA D 4 ZN 6592	FLAT WASHER D 4 GV 6592
16	52212100	DADO M4 UNI5588 ZN	HEX NUT M4 DIN 934
17	42405030	LAM. SNODO DISINNESTO MSD 2.0	SHEET JOINT TRASMISSION MSD 2.0
18	42405032	PERNO SNODO DISINNESTO MSD 2.0	PIN JOINT TRASMISSION MSD 2.0
19	42405031	LAM. SNODO DISINNESTO MSD 2.0	SHEET JOINT TRASMISSION MSD 2.0
20	52252400	DADO M8 DIN980 ZN (AUTOB.)	LOCK NUT M 8 DIN 980
21	20901600	CAVO MOTORE CHIUSURA ARIA L.350	CABLE
22	52141510	VITE STEI E.C. 6X10 ZN 5929	SCREW 6X10 ZN 5929

MaterMacc

an ARBOS Company

MaterMacc S.p.A.

Via Gemona, 18
33078 San Vito al Tagliamento (PN) - ITALIA
TEL. +39 0434 85267 - FAX +39 0434 85517
www.matermacc.it - e-mail: info@matermacc.it