

(TM3B1A504-001C)

CONTENTS

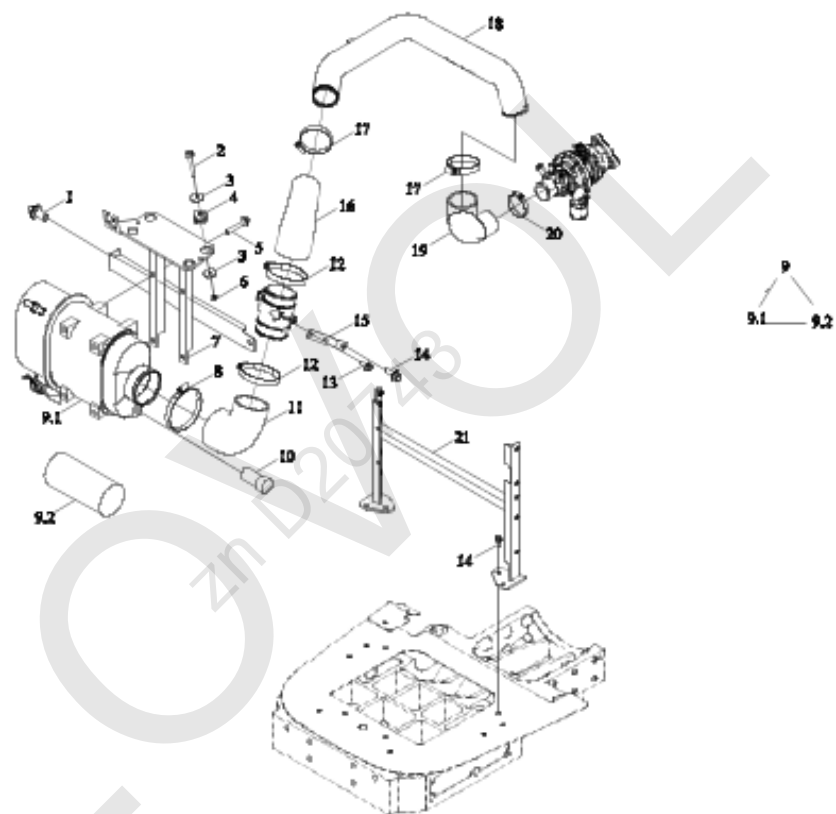
◆ TB1S110090000K MANIFOLDS & INDUCTION SYSTEM.....	1
◆ TB1S131040000K RADIATOR.....	5
◆ TB1S132030000K SUBPLATE.....	14
◆ TB1S211030000K CLUTCH ASSEMBLY.....	17
◆ TB1S212020000K CONTROL ASSEMBLY (CLUTCH)	23
◆ TB1S220040000K Exhaust and aftertreatment assembly	27
◆ TC02311290000 FRONT DRIVE AXLE ASSEMBLY.....	31
◆ TB1S312020000K BRACKET ASSEMBLY.....	53
◆ TB1S320040000K DRIVING WHEEL-FRONT.....	56
◆ TB1S340050000K REAR DRIVING WHEEL ASSEMBLY.....	59
◆ TB1S350010000K TRACTION.....	62
◆ TB1S371010000K GEARBOX HOUSING.....	65
◆ TB1S372030000K MAIN GEARSHIFT ASSEMBLY.....	68
◆ TB1S373020000K AUXILIARY TRANSMISSION.....	75
◆ TB1S374020000K CONTROL MECHANISM ASSEMBLY (GEARSHIFT)	79
◆ TB1S375010000K BREATHING APPARATUS.....	90
◆ TB554. 381 SHUTTLE GEARSHIFT ASSEMBLY.....	93
◆ TB1S382020000K CENTRAL TRANSMISSION ASSEMBLY (REAR AXLE)	96
◆ TS04383010000 CONTROL MECHANISM ASSEMBLY (DIFFERENTIAL)	103
◆ TB1S384050000K HOUSING ASSEMBLY (REAR AXLE)	107
◆ TS04385010000 SHUTTLE SHIFT CONTROL MECHANISM.....	111

◆ TB1S391010000K FINAL REDUCTION-LEFT.....	115
◆ TB1S392010000K FINAL REDUCTION-RIGHT.....	119
◆ TB3S401040000K STEERING PLATE AND STEERING PIPE COLUMN ASSEMBLY.....	123
◆ TB1S402050000K STEERING PIPE ASSEMBLY.....	126
◆ TB1S403080000K CONTROL PIPE ASSEMBLY (LOW PRESSURE)	131
◆ TB1S411010000K GEAR ASSEMBLY (PTO)	139
◆ TB1S413010000K CONTROL ASSEMBLY (PTO)	147
◆ TB1S414010000K SHIELD (PTO)	151
◆ TB1S421010000K DROP GEAR BOX.....	154
◆ TB1S422020000K DRIVE ASSEMBLY (DROP GEAR BOX)	158
◆ TB1S431010000K BRAKE ASSEMBLY-LEFT.....	162
◆ TB1S432010000K BRAKE ASSEMBLY-RIGHT.....	165
◆ TB1S433050000K CONTROL MECHANISM ASSEMBLY (BRAKE)	168
◆ TB1S440010000K SEAT MOUNTING ASSEMBLY.....	180
◆ TB1S451070000K CAB ASSEMBLY.....	183
◆ TB3S453040000K INTERIOR ASSEMBLY.....	221
◆ TS04455010000 TRIM ASSEMBLY (REAR FENDER)	227
◆ TB3S456020000K COWL.....	231
◆ TS04457010000 FRONT CONNECTING ASSEMBLY.....	234
◆ TS04458010000 REAR CONNECTION ASSEMBLY.....	237
◆ TS04459010000 INSULATION LAYER.....	240
◆ TB3S471040000K HOOD ASSEMBLY.....	243
◆ TB1S473010000K LOCKING ASSEMBLY (HOOD)	252
◆ TB3S475020000K HOOD SEAL ASSEMBLY.....	255

◆ TE3C476030000 PORTAL FRAME ASSEMBLY.....	258
◆ TB1S482190000K WIRING HARNESS.....	261
◆ TB1S483030000K WIRING HARNESS-FRONT.....	266
◆ TB1S484010000K WIRING HARNESS-REAR.....	269
◆ TB3S485010000K BATTERY ASSEMBLY.....	273
◆ TB1S486020000K WIRING HARNESS.....	276
◆ TB3S487050000K INSTRUMENT CLUSTER.....	280
◆ TM3B490020000K TOOL BOX.....	283
◆ TB1S501040000K OIL TANK.....	286
◆ TB1S503060000K OIL CONVEYING PIPE ASSEMBLY.....	292
◆ TB1S530010000K TOWING ADJUSTING.....	295
◆ TB1S551020000 LIFTER ASSEMBLY.....	298
◆ TB1S552030000 CONTROL ASSEMBLY (LIFTER)	312
◆ TB1S560010000K SUSPENSION ASSEMBLY.....	316
◆ TB1S581070000K OIL PUMP-PIPE-FILTER ASSEMBLY.....	326
◆ TB3S582110000K OIL PIPE ASSEMBLY (MULTI-WAY VALVE)	331
◆ TE3S620010000K SAFETY BELT ASSEMBLY.....	339
◆ TB3S741020000K COUNTERWEIGHT-FRONT.....	342
◆ TB3S742020000 SUPPORT-FRONT.....	345
◆ TB1S811010000K AIR CONDITIONING SYSTEM (CAB)	348
◆ TB1S812010000K AIR CONDITIONING SYSTEM (ENGINE)	355
◆ TB3S950010000K REAR BALLAST ASSEMBLY.....	359

TB1S110090000K MANIFOLDS & INDUCTION SYSTEM

LOWVOL
zn D20743



TB1S110090000K MANIFOLDS & INDUCTION SYSTEM

No.	Part No.	Description	Version	QTY.	Remark
	TB1S110090000K	MANIFOLDS & INDUCTION SYSTEM	002	1	
1	GBT5789-M8X16-8.8-A2L	HEX FLANGE BOLTS		5	
2	GBT5789-M6X45-8.8-A2L	HEX FLANGE BOLTS		4	
3	TL02582330021	LARGE WASHER		8	
4	TL02582330018	MULTI-WAY VALVE SHOCK ABSORPTION GASKET BLOCK		4	
5	GBT5789-M6X40-8.8-A2L	HEX FLANGE BOLTS		2	
6	GBT6177.1-M6-8-A2L	HEXAGON FLANGE NUT		4	
7	TB3S110030010K	AIR FILTER FIXING BRACKET		1	
8	Q676102	B TYPE WORM DRIVE TYPE HOSE HOOP		1	
9	TB3S110030020K	AIR FILTER		1	
9.1	TB3S110030021K	MAIN FILTER ELEMENT		1	
9.2	TB3S110030019K	SECURITY FILTER ELEMENT		1	
10	TD900.11A-01	AIR FILTER MAINTENANCE INDICATOR		1	
11	TB3S110030014K	AIR OUTLET RUBBER HOSE		1	
12	Q67689	B TYPE WORM DRIVE TYPE HOSE HOOP		2	
13	GBT5789-M6X16-8.8-A2L	HEX FLANGE BOLTS		2	
14	GBT5789-M8X20-8.8-A2L	HEX FLANGE BOLTS		5	
15	TB3S110030017K	SENSOR		1	
16	TB3S110030015K	AIR OUTLET RUBBER HOSE		1	
17	Q67670	B TYPE WORM DRIVE TYPE HOSE HOOP		2	
18	TB1S110080011K	STEEL TUBE		1	
19	TB1S110080014K	RUBBER		1	

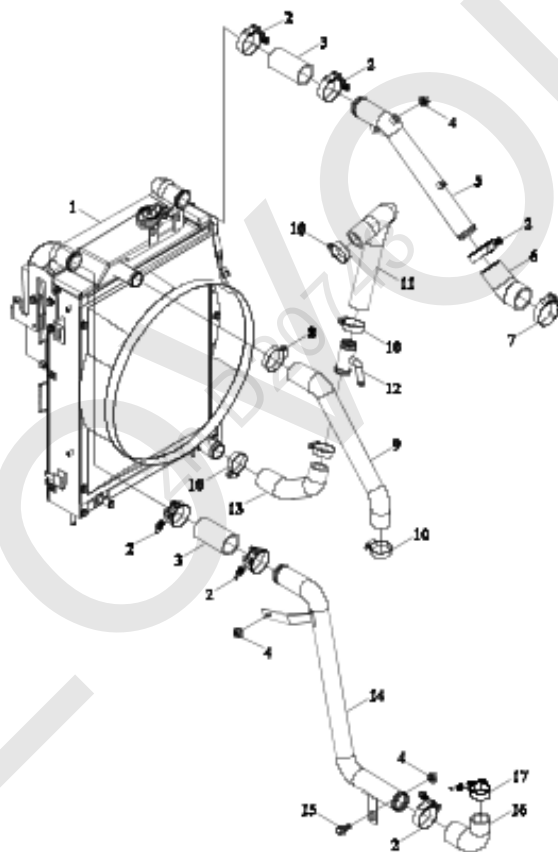
TB1S110090000K MANIFOLDS & INDUCTION SYSTEM (cont'd.)

No.	Part No.	Description	Version	QTY.	Remark
20	Q67657	B TYPE WORM DRIVE TYPE HOSE HOOP		1	
21	TB3S110030026K	BRACKET		1	

LOWELOW
zn D20743

LOWVOLT
zn D20743

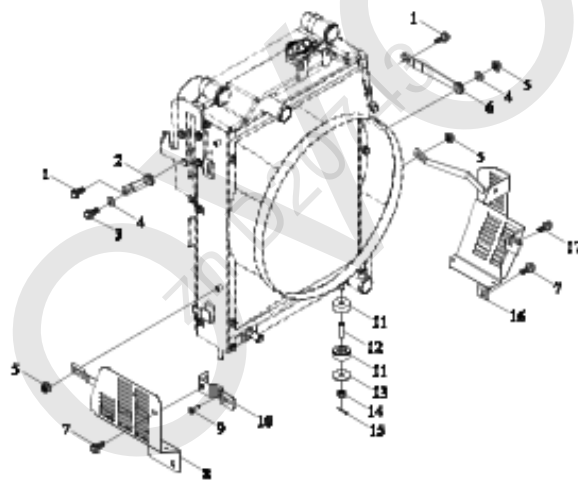
TB1S131040000K RADIATOR-1



TB1S131040000K RADIATOR-1

No.	Part No.	Description	Version	QTY.	Remark
	TB1S131040000K	RADIATOR	002	1	
1	TB1S131040001K	RADIATOR ASSEMBLY		1	
2	SAEJ1508-SLTB36	HOOP		6	
3	TS04110020016K	INTERCOOLER AIR INTAKE RUBBER HOSE		2	
4	GBT6177.1-M8-8-A2L	HEXAGON FLANGE NUT		6	
5	TB1S131040010K	AIR OUTLET PIPE WELDMENT OF INTERCOOLER		1	
6	TB1S131040015K	AIR INLET RUBBER PIPE		1	
7	SAEJ1508-SLTB42	HOOP		1	
8	Q67657	B TYPE WORM DRIVE TYPE HOSE HOOP		1	
9	TB1S131040029K	WATER TANK INLET HOSE		1	
10	Q67650	B TYPE WORM DRIVE TYPE HOSE HOOP		5	
11	TB1S131040023K	WATER TANK OUTLET HOSE		1	
12	TB3S131030024K	PIPE		1	
13	TB1S131040024K	WATER TANK OUTLET HOSE		1	
14	TB1S131040006K	AIR INLET PIPE		1	
15	GBT5789-M8X16-8.8-A2L	HEX FLANGE BOLTS		3	
16	TB1S131040013K	AIR OUTLET RUBBER HOSE		1	
17	SAEJ1508-SLTB28	HOOP		1	

TB1S131040000K RADIATOR-2

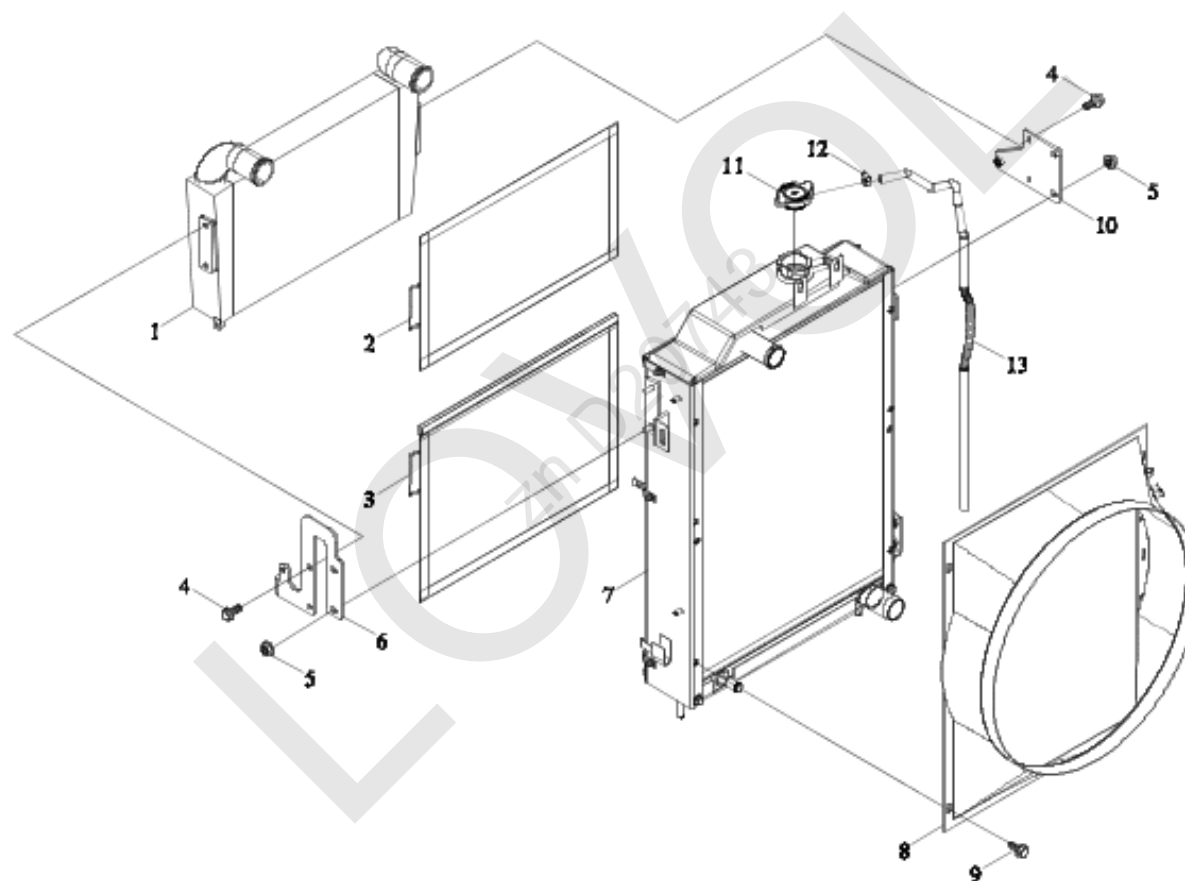


TB1S131040000K RADIATOR-2

No.	Part No.	Description	Version	QTY.	Remark
	TB1S131040000K	RADIATOR	002	1	
1	GBT5789-M8X16-8.8-A2L	HEX FLANGE BOLTS		3	
2	TB3S131030043K	PULL ROD		1	
3	GBT5789-M8X25-8.8-A2L	HEX FLANGE BOLTS		1	
4	GBT96.1-8-A3L	LARGE WASHER		2	
5	GBT6177.1-M8-8-A2L	HEXAGON FLANGE NUT		6	
6	TB3S131030019K	PULL ROD UNIT		1	
7	GBT5789-M8X12-8.8-A2L	HEX FLANGE BOLTS		3	
8	TB1S131040018K	LEFT GUARD NET WELDMENT		1	
9	GBT70.1-M8X16-8.8-A2L	HEXAGON SOCKET HEAD CAP SCREW		2	
10	TB1S131040031K	BRACKET WELDMENT		1	
11	TD800.131-11	RUBBER MAT		4	
12	TD800.131-12	SLEEVE		2	
13	FT650.13.116	GASKET		2	
14	GBT6178-M10-8-A3L	HEXAGON SLOTTED NUT, STYLE 1		2	
15	GBT91-2.5X28-A3L	COTTER PIN		2	
16	TB1S131040016K	RIGHT GUARD NET WELDMENT		1	
17	GBT5789-M6X12-8.8-A2L	HEX FLANGE BOLTS		1	

LOWVOL
zn D20743

TB1S13104000K RADIATOR-3



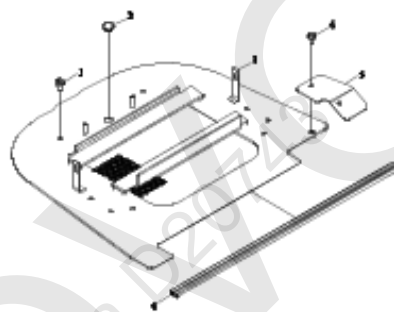
TB1S131040000K RADIATOR-3

No.	Part No.	Description	Version	QTY.	Remark
	TB1S131040000K	RADIATOR		1	
	TB1S131040001K	RADIATOR ASSEMBLY	002	1	
1	TB3S131030041K	INTERCOOLER ASSEMBLY		1	
2	TB3S131030040K	DUSTPROOF NET		1	
3	TB3S131030045K	The dust-proof net		1	
4	GBT5789-M8X12-8.8-A2L	HEX FLANGE BOLTS		3	
5	GBT6177.1-M8-8-A2L	HEXAGON FLANGE NUT		4	
6	TB3S131030042K	LEFT FIXING PLATE WELDMENT		1	
7	TB1S131040004K	HEAT SINK		1	
8	TB1S131040003K	WIND GUIDE COVER		1	
9	GBT5789-M8X16-8.8-A2L	HEX FLANGE BOLTS		6	
10	TB3S131030038K	RETAINING PLATE		1	
11	BZF0084-004	RADIATOR COVER		1	
12	Q676B12	C-TYPE WORM TRANSMISSION HOSE CLAMP		1	
13	TH400.13.1-03	WATER HOSE		1	

LOWVOL
zn D20743

TB1S13203000K SUBPLATE

LOWEOL
zn D20743

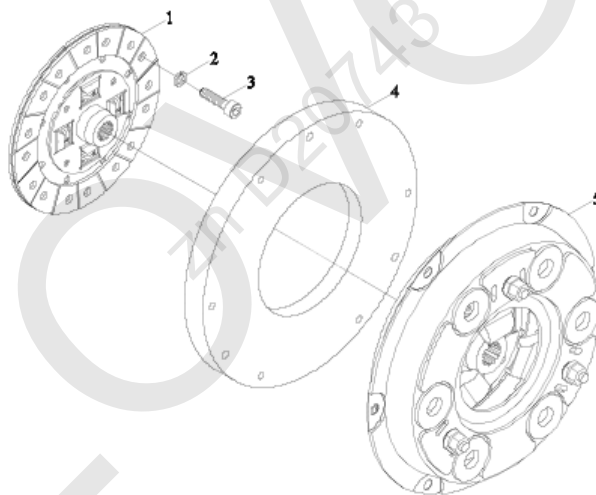


TB1S132030000K SUBPLATE

No.	Part No.	Description	Version	QTY.	Remark
	TB1S132030000K	RADIATOR BACKING BOARD INSTALLATION ASSEMBLY	001	1	
1	GBT5789-M8X16-8.8-A2L	HEX FLANGE BOLTS		2	
2	TS04451010020	PLUG COVER		1	
3	TB1S132030001K	RADIATOR BACKING BOARD WELDMENT		1	
4	GBT5789-M8X12-8.8-A2L	HEX FLANGE BOLTS		1	
5	TB3S132020006K	SUPPORT PLATE		1	
6	TS04132030005	SEALING STRIP		1	

LOWVOLT
zn D20743

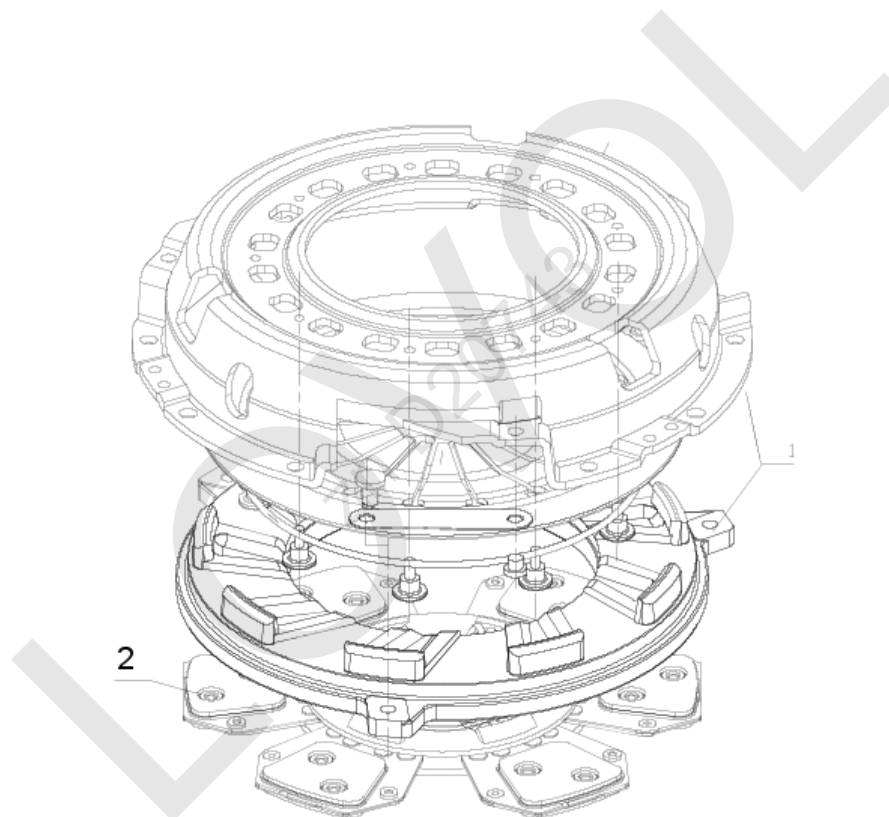
TB1S21103000K CLUTCH ASSEMBLY-1



TB1S21103000K CLUTCH ASSEMBLY-1

No.	Part No.	Description	Version	QTY.	Remark
	TB1S21103000K	CLUTCH ASSEMBLY	1	1	
1	TB4S211010002K	CUSHION MACHINE		1	
2	GBT93-6-A3L	STANDARD SPRING WASHER		6	
3	GBT70. 1-M6X20-8. 8-A2L	INNER HEXAGON SCREW		6	
4	TB4S211010004K	TRANSITIONPLATE		1	
5	TB1S211030001K	CLUTCH SUBASSEMBLY		1	

TB1S21103000K CLUTCH ASSEMBLY-2



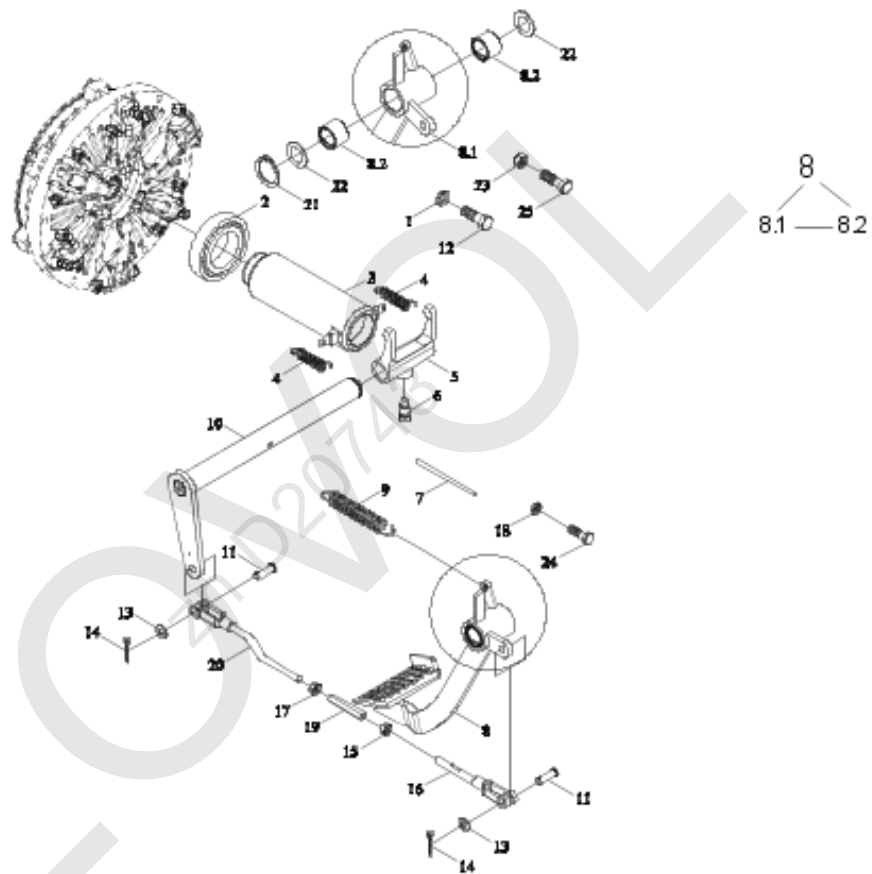
TB1S211030000K CLUTCH ASSEMBLY-2

No.	Part No.	Description	Version	QTY.	Remark
1	TB1S211030001K	CLUTCH SUBASSEMBLY		1	
1	TB1S211030003K	CLUTCH PRESSURE PLATE		1	
2	TB1S211030002K	DRIVEN PLATE ASSY		1	

LOWVOL
zn D20743

TB1S21202000K CONTROL ASSEMBLY (CLUTCH)

LOWVOL
zn D20743



TB1S21202000K CONTROL ASSEMBLY (CLUTCH)

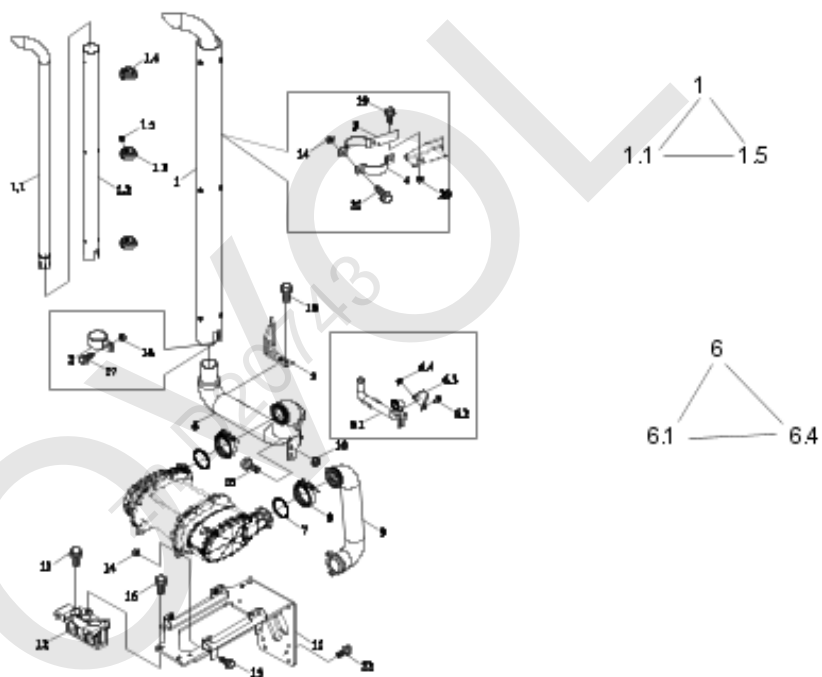
No.	Part No.	Description	Version	QTY.	Remark
	TB1S21202000K	CLUTCH CONTROL ASSEMBLY	002	1	
1	GBT93-8-A3L	STANDARD SPRING WASHER		6	
2	TB4S212010001K	RELEASE BEARING		1	
3	TB1S212020001K	RELEASE BEARING SEAT		1	
4	TB604. 212-03	THRUST BEARING SEAT RETURN SPRING		2	
5	FT300. 21. 103	RELEASE FORK		1	
6	FT800. 21. 239	SET SCREW M16X1. 5		1	
7	TA800. 212B-02	LOW CARTON STEEL WIRE SZ-1. 4		1	
8	TB1S212010001Ka	CLUTCH PEDAL UNIT		1	
8.1	TB1S212010002Ka	CLUTCH PEDAL WELDMENT		1	
8.2	TC03371040020a	COMPOUND SLEEVE 25X30X20		2	
9	TD800. 43-01	PEDAL RETURN SPRING		1	
10	TB604. 212. 3b	CLUTCH ROCKER SHAFT WELDMENT		1	
11	GBT882-B10X32-A3L	PIN		2	
12	GBT5782-M8X50-8. 8-A2L	HEX HEAD BOLTS		6	
13	GBT97. 1-10-A3L	FLAT WASHERS		2	
14	GBT91-3. 2X20-A3L	COTTER PIN		2	
15	GBT6171-M12X1. 5-8-A3L	TYPE 1 HEX NUT		1	
16	TB604. 212A. 5	UPPER PULL ROD WELDMENT		1	
17	GBT6171-M12X1. 5-LH-8-A3L	TYPE 1 HEX NUT		1	
18	GBT6172. 1-M8-04-A2L	HEXAGON THIN NUT		1	
19	TE354. 433-03	CONNECTING ROD		1	
20	TB604. 212. 6	LOWER PULL ROD WELDMENT		1	

TB1S212020000K CONTROL ASSEMBLY (CLUTCH) (cont'd.)

No.	Part No.	Description	Version	QTY.	Remark
21	GBT894. 1-25	RETAINING RING FOR SHAFT		1	
22	TE250. 433C-02	GASKET		2	
23	GBT6170-M10-8-A3L	TYPE 1 HEX NUT		1	
24	GBT5783-M8X30-8. 8-A2L	HEX HEAD BOLTS		1	
25	GBT5783-M10X70-8. 8-A3L	HEX HEAD BOLTS		1	

TB1S220040000K Exhaust and aftertreatment assembly

LOWVOL
zn D20743



TB1S22004000K Exhaust and aftertreatment assembly

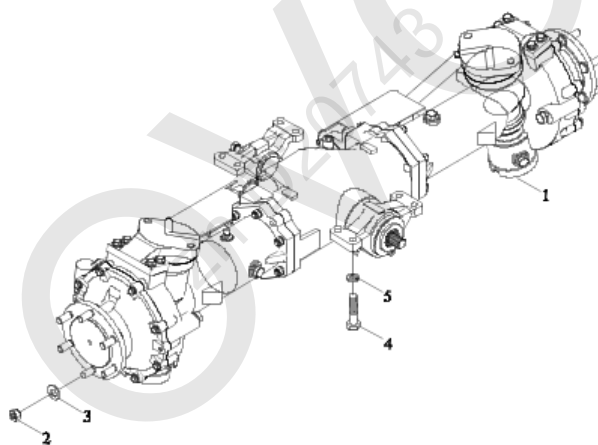
No.	Part No.	Description	Version	QTY.	Remark
	TB1S22004000K	EXHAUST SYSTEM ASSEMBLY	001	1	
1	TB3S220030046K	TAIL PIPE		1	
1.1	TB3S220030047K	EXHAUST PIPE		1	
1.2	TB3S220030049K	GUARD NET		1	
1.3	TB3S220030020K	MOUNTINGS RING		3	
1.4	GBT13681-M6	NUT		9	
1.5	GBT16674.1-M6X12-8.8-A2L	HEX FLANGE BOLTS		9	
2	TB3S220030018K	CLAMP HOOP		1	
3	TB3S220040015K	CLAMP HOOP		1	
4	TB3S220030022K	CLAMP HOOP 1		1	
5	TB3S220040012K	FIXED BRACKET		1	
6	TB3S220030038K	EXHAUST JOINT PIPE UNIT		1	
6.1	TB3S220030036K	EXHAUST JOINT PIPE WELDMENT		1	
6.2	GBT16674.1-M8X16-10.9-A2L	HEX FLANGE BOLTS		1	
6.3	TB3S220030028K	Heat shield assembly		1	
6.4	GBT6177.1-M10-8-A3L	HEXAGON FLANGE NUT		1	
7	TB3S220030025K	SEAL		2	
8	TB3S220030019K	CLAMP, V BAND		2	
9	TB1S220040001K	CONNECTING TUBE		1	
10	GBT6177.1-M10-10-A3L	HEXAGON FLANGE NUT		1	
11	TB1S220040004K	FIXINGBRACKET		1	
12	TB3S220040020K	MOUNTINGS ZCH00878		1	
13	GBT5789-M12X80-10.9-A3L	HEXAGON FLANGE BOLT		3	

TB1S220040000K Exhaust and aftertreatment assembly (cont'd.)

No.	Part No.	Description	Version	QTY.	Remark
14	GBT6177.1-M8-10-A2L	HEXAGON FLANGE NUT		4	
15	GBT5789-M8X25-10.9-A2L	HEX FLANGE BOLTS		3	
16	GBT5789-M10X25-10.9-A3L	HEX FLANGE BOLTS		5	
17	GBT5789-M8X25-8.8-A2L	HEX FLANGE BOLTS		1	
18	GBT6177.1-M8-8-A2L	HEXAGON FLANGE NUT		1	
19	GBT5789-M10X20-8.8-A3L	HEX FLANGE BOLTS		2	
20	GBT6177.1-M10-8-A3L	HEXAGON FLANGE NUT		3	
21	GBT5789-M8X20-10.9-A2L	HEX FLANGE BOLTS		2	
22	GBT5789-M10X20-10.9-A3L	HEX FLANGE BOLTS		6	

LOWVOL
zn D20743

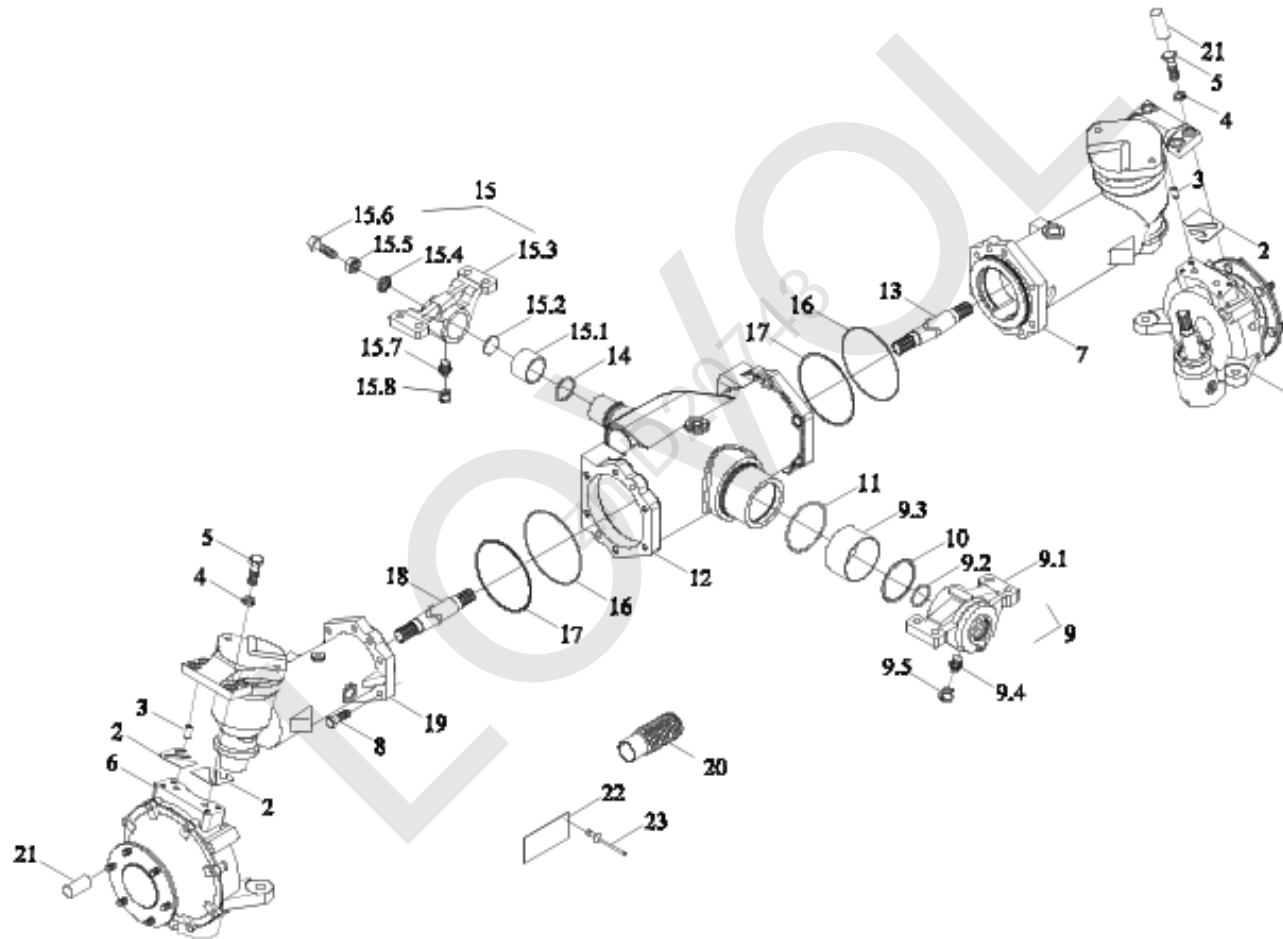
TC02311290000 FRONT DRIVE AXLE ASSEMBLY-1



TC02311290000 FRONT DRIVE AXLE ASSEMBLY-1

No.	Part No.	Description	Version	QTY.	Remark
	TC02311290000	FRONT DRIVE AXLE ASSEMBLY	001	1	
1	TC02311290001	FRONT DRIVING AXLE SUB-ASSEMBLY		1	
2	GBT6176-M14X1.5-10-A3L	HEXAGON NUT, TYPE-2		12	
3	FT400.31B.103	WASHER		12	
4	GBT5783-M14X45-10.9-A3L	HEX HEAD BOLTS		8	
5	GBT93-14-A0P	STANDARD SPRING WASHER		8	

TC02311290000 FRONT DRIVE AXLE ASSEMBLY-2



TC02311290000 FRONT DRIVE AXLE ASSEMBLY-2

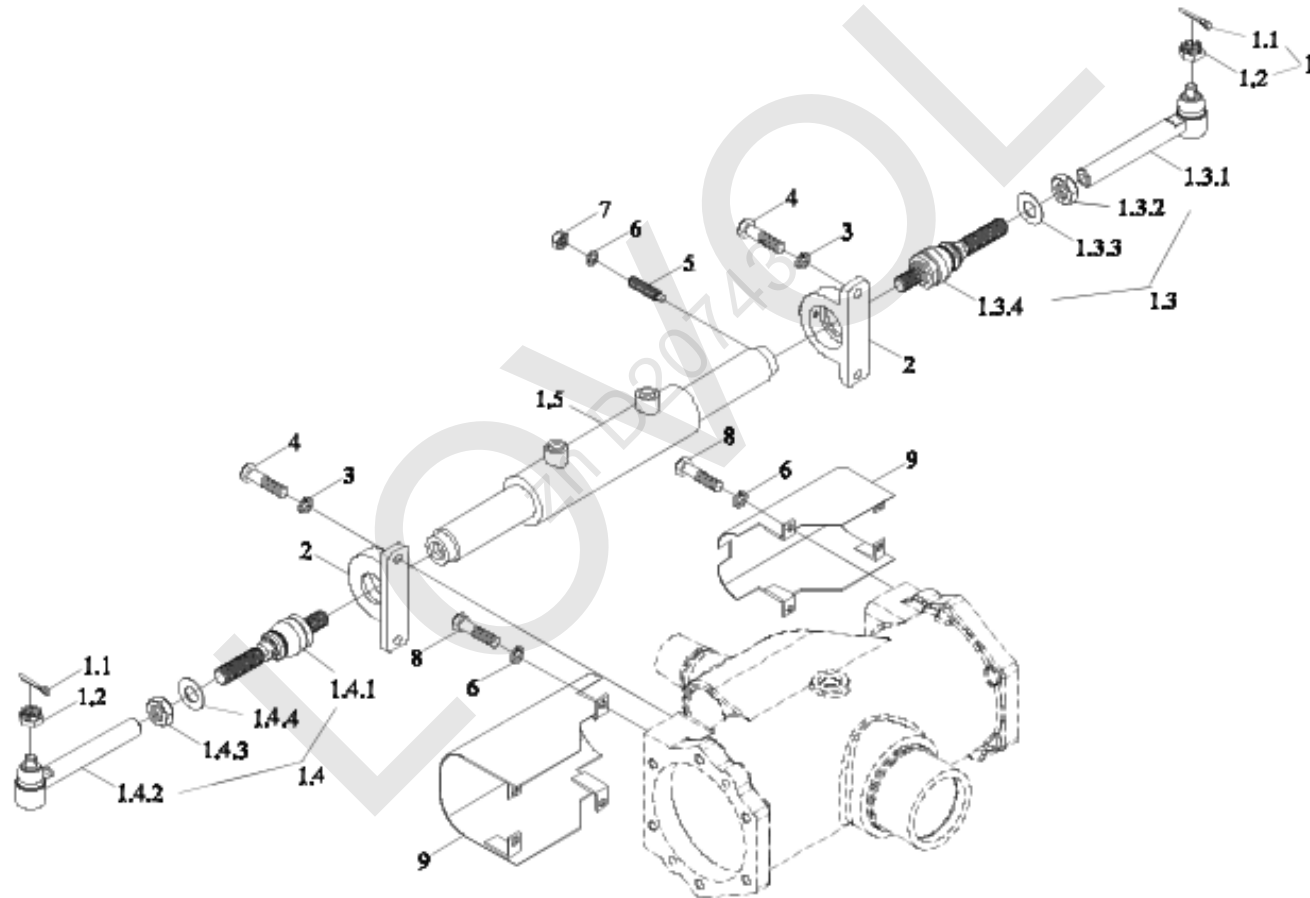
No.	Part No.	Description	Version	QTY.	Remark
	TC02311290002	FRONT AXLE		1	
1	TC02311020013	RIGHT FINAL TRANSMISSION ASSEMBLY		1	
2	TC02311010012	ADJUSTMENT MATS		1	
3	GBT119. 1-12m6X22-A0P	CYLINDRICAL PIN		1	
4	GBT93-12-A0P	STANDARD SPRING WASHER		12	
5	GBT5783-M12X40-10. 9-A3L	HEX HEAD BOLTS		8	
6	TC02311020012	LEFT FINAL TRANSMISSION ASSEMBLY		1	
7	TC02311290004	RIGHT TRANSMISSION ASSEMBLY		1	
8	GBT5783-M12X45-10. 9-A3L	HEX HEAD BOLTS		12	
9	TC02311010009	REAR BRACKET		1	
9.1	TC02311010071	REAR BRACKET		1	
9.2	GBT3452. 1-45. 0X3. 55G	O-RING RUBBER SEAL FOR HYDRAULIC AND PNEUMATIC		1	
9.3	TC02311010072	SLIDING BEARING		1	
9.4	JBT7940. 1-M10X1	STRAIGHT-THROUGH PRESSURE OIL CUP		1	
9.5	TC02311170063	DUSTPROOF CAP OF OIL CUP		1	
10	TC02311010017a	WASHER		1	
11	GBT3452. 1-97. 5X3. 55G	O-RING RUBBER SEAL FOR HYDRAULIC AND PNEUMATIC		1	
12	TC02311010002	MAIN REDUCER BOX ASSEMBLY		1	
13	TC02311020010a	RIGHT HALF SHAFT		1	
14	GBT3452. 1-48. 7X2. 65G	O-RING RUBBER SEAL FOR HYDRAULIC AND PNEUMATIC		1	
15	TC02311010008	FRONT BRACKET ASSEMBLY		1	

TC02311290000 FRONT DRIVE AXLE ASSEMBLY-2 (cont'd.)

No.	Part No.	Description	Version	QTY.	Remark
15.1	TC02311010066	SLIDING BEARING		1	
15.2	TC02311010067	GASKET		1	
15.3	TC02311010065	FRONT BRACKET		1	
15.4	TC02311010068	SEAL		1	
15.5	GBT6170-M16-8-A3L	TYPE 1 HEX NUT		1	
15.6	GBT5783-M16X50-8.8-A3L	HEX HEAD BOLTS		1	
15.7	JBT7940.1-M10X1	STRAIGHT-THROUGH PRESSURE OIL CUP		1	
15.8	TC02311170063	DUSTPROOF CAP OF OIL CUP		1	
16	GBT3452.1-136X3.55G	O-RING RUBBER SEAL FOR HYDRAULIC AND PNEUMATIC		2	
17	TC02311010081	ADJUSTING WASHER		1	
18	TC02311020009a	LEFT HALF SHAFT		1	
19	TC02311290003	LEFT TRANSMISSION ASSEMBLY		1	
20	TC02311170050	SHIELD		2	
21	TC02311020021	RIM BOLT COVER		12	
22	9F650-26B010004A0	NAMEPLATE		1	
23	GBT827-2.5X4-A0P	LABEL RIVET		4	

LOWVOL
zn D20743

TC02311290000 FRONT DRIVE AXLE ASSEMBLY-3

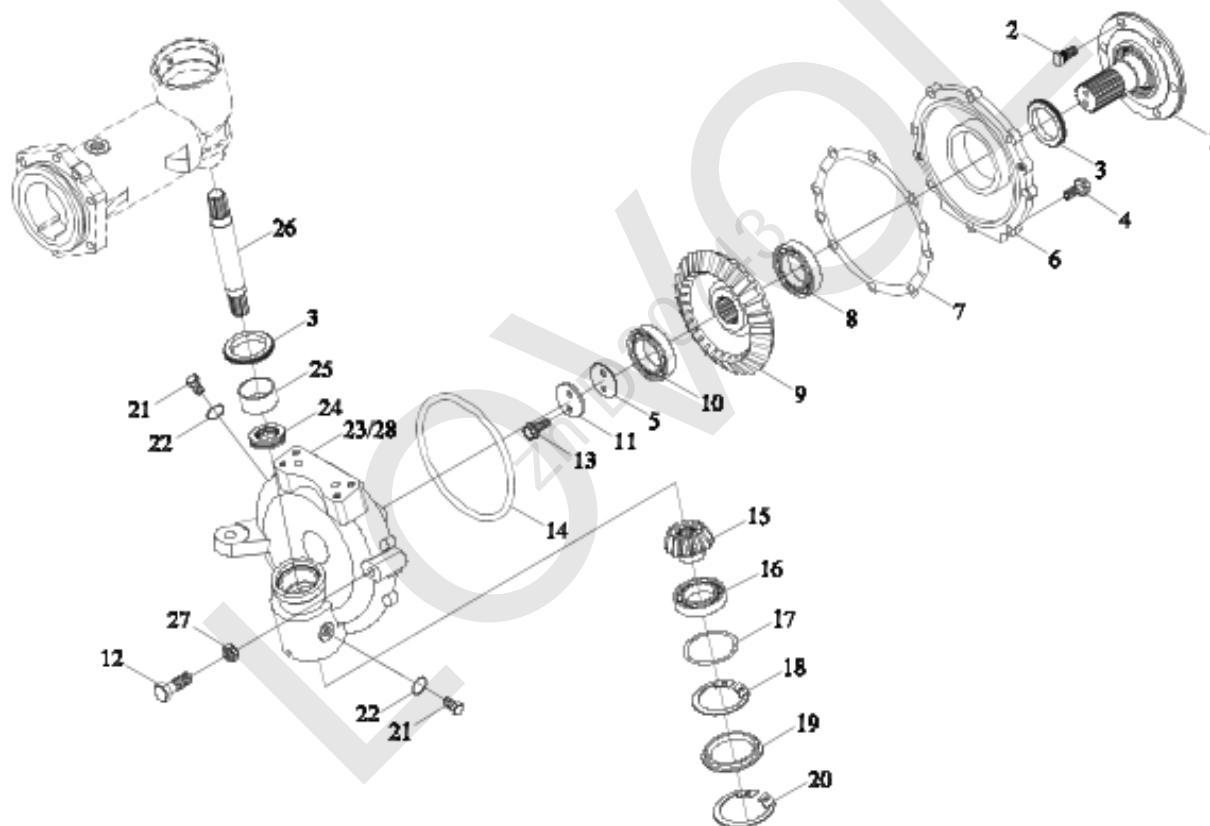


TC02311290000 FRONT DRIVE AXLE ASSEMBLY-3

No.	Part No.	Description	Version	QTY.	Remark
	TC02311290002	FRONT AXLE		1	
1	TC02311210003	STEERING OIL CYLINDER ASSEMBLY		1	
1.1	GBT91-3.2X40-A3L	COTTER PIN		2	
1.2	TC02311010075	HEX SLOTTED NUTS		2	
1.3	TC03311280005	RIGHT STEERING CONNECTING		1	
1.3.1	TC02311020011	RIGHT STEERING CONNECTING		1	
1.3.2	GBT6173-M22X1.5-05-A3L	HEXAGON THIN NUT		1	
1.3.3	TC02311010090	STOPPING WASHER		1	
1.3.4	TC02311010077	JOINT		1	
1.4	TC03311280004	LEFT STEERING CONNECTING		1	
1.4.1	TC02311010077	JOINT		1	
1.4.2	TC02311020008	LEFT STEERING CONNECTING		1	
1.4.3	GBT6173-M22X1.5-05-A3L	HEXAGON THIN NUT		1	
1.4.4	TC02311010090	STOPPING WASHER		1	
1.5	TC02311170004	STEERING CYLINDER		1	
2	TC02311010085a	OIL CYLINDER SUPPORT SEAT		2	
3	GBT93-12-A0P	STANDARD SPRING WASHER		12	
4	GBT5783-M12X35-10.9-A3L	HEX HEAD BOLTS		4	
5	GBT75-M8X35-14H-A2L	SLOTTED LOCKING SCREW		2	
6	GBT93-8-A0P	STANDARD SPRING WASHER		10	
7	GBT6170-M8-8-A2L	TYPE 1 HEX NUT		2	
8	GBT5783-M8X16-8.8-A2L	HEX HEAD BOLTS		8	
9	TC02311010015	SHIELD		2	

LOWVOL
zn D20743

TC02311290000 FRONT DRIVE AXLE ASSEMBLY-4



TC02311290000 FRONT DRIVE AXLE ASSEMBLY-4

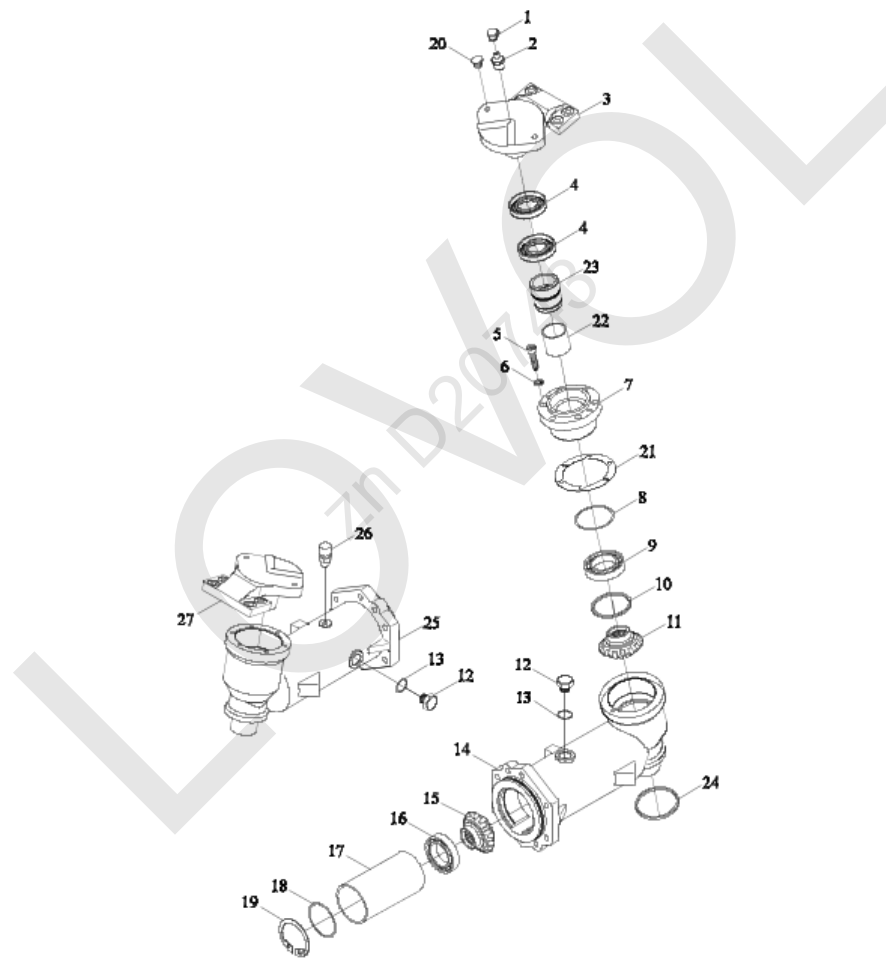
No.	Part No.	Description	Version	QTY.	Remark
	TC02311290002	FRONT AXLE		1	
	TC02311020012	LEFT FINAL TRANSMISSION ASSEMBLY		1	
	TC02311020013	RIGHT FINAL TRANSMISSION ASSEMBLY		1	
1	TC02311020014a	FRONT DRIVING SHAFT		1	
2	TC02311020015	BOLT		6	
3	TC02311010032	FLOATING OIL SEAL		2	
4	GBT16674. 1-M10X35-10. 9-A3L	HEX FLANGE BOLTS		8	
5	TC02311170009	ADJUSTMENT MATS		1	
6	TC02311010050	BIG END COVER		1	
7	TC02311010060	ADJUSTING GASKET		1	
8	GBT276-6410	DEEP GROOVE BALL BEARING		1	
9	TC02311020019a	BIG END GEAR		1	
10	GBT276-6310	DEEP GROOVE BALL BEARING		1	
11	TC02311010055b	GASKET		1	
12	GBT5783-M16X45-10. 9-A3L	HEX HEAD BOLTS		1	
13	TC02311170006	HEX FLANGE BOLTS		2	
14	GBT3452. 1-243X5. 30G	O-RING RUBBER SEAL FOR HYDRAULIC AND PNEUMATIC		1	
15	TC02311020020	END PINION		1	
16	GBT276-6308	DEEP GROOVE BALL BEARING		1	
17	TC02311010059	ADJUSTING GASKET		1	
18	GBT893. 1-90	RETAINING RING FOR HOLE		1	
19	TC02311010058	SEAL COVER		1	

TC02311290000 FRONT DRIVE AXLE ASSEMBLY-4 (cont'd.)

No.	Part No.	Description	Version	QTY.	Remark
20	GBT893. 1-102	RETAINING RING FOR HOLE		1	
21	TD904. 311K. 1-13	SCREW PLUG		2	
22	GBT3452. 1-21. 2X2. 65G	O-RING RUBBER SEAL FOR HYDRAULIC AND PNEUMATIC		2	
23	TC02311010047a	LEFT FINAL TRANSMISSION HOUSING		1	
24	GBT301-51107	THRUST BEARING		1	
25	TC02311010057	BUSHING		1	
26	TC02311010056	END SPLINE SHAFT		1	
27	GBT6172. 1-M16-04-A3L	HEXAGON THIN NUT		1	
28	TC02311010048a	RIGHT FINAL TRANSMISSION HOUSING		1	

LOWVOL
zn D20743

TC0231129000 FRONT DRIVE AXLE ASSEMBLY-5



TC02311290000 FRONT DRIVE AXLE ASSEMBLY-5

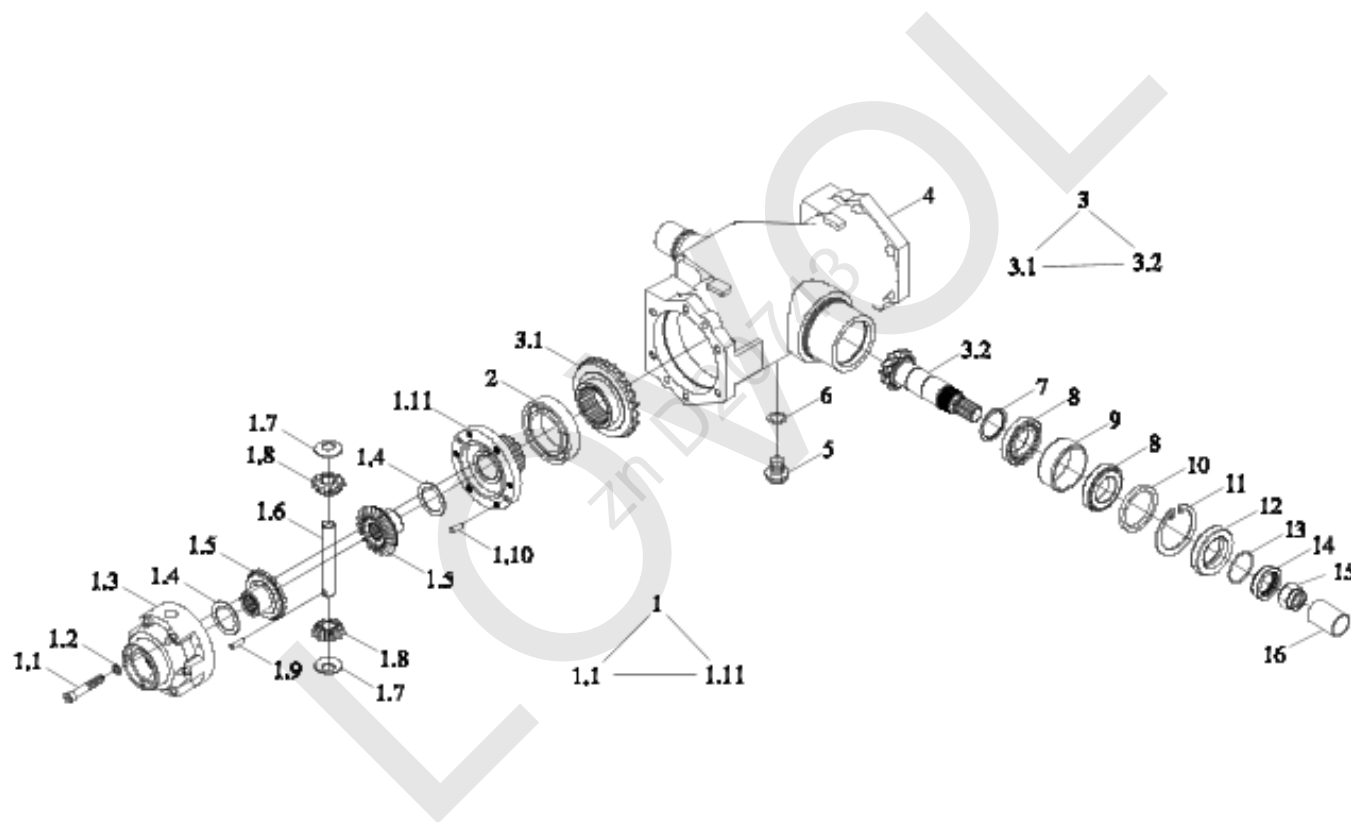
No.	Part No.	Description	Version	QTY.	Remark
	TC02311290002	FRONT AXLE		1	
	TC02311290003	LEFT TRANSMISSION ASSEMBLY		1	
	TC02311290004	RIGHT TRANSMISSION ASSEMBLY		1	
1	TC02311170063	DUSTPROOF CAP OF OIL CUP		1	
2	JBT7940. 1-M10X1	STRAIGHT-THROUGH PRESSURE OIL CUP		1	
3	TC02311290005	COVER		1	
4	GBT9877. 1-FB65X85X10D	ROTARY SHAFT LIP SEAL WITH INNER FRAME		2	
5	GBT70. 1-M8X25-8. 8	HEXAGON SOCKET HEAD CAP SCREW		6	
6	GBT93-8-A3L	STANDARD SPRING WASHER		6	
7	TC02311010044	OIL SEAL END COVER		1	
8	GBT3452. 1-92. 5X5. 30G	O-RING RUBBER SEAL FOR HYDRAULIC AND PNEUMATIC		1	
9	GBT276-6211	DEEP GROOVE BALL BEARING		1	
10	TC02311010039	WASHER		1	
11	TC02311010038	GEAR		1	
12	TD904. 311K. 1-13	SCREW PLUG		1	
13	GBT3452. 1-21. 2X2. 65G	O-RING RUBBER SEAL FOR HYDRAULIC AND PNEUMATIC		1	
14	TC02311020038	RIGHT HALF SHAFT HOUSING		1	
15	TC02311010037	DRIVING GEAR		1	
16	GBT276-6309	DEEP GROOVE BALL BEARING		1	
17	TC02311020005	SLEEVE		1	
18	TC02311010073	ADJUSTING WASHER		1	
19	GBT893. 1-100	RETAINING RING FOR HOLE		1	

TC02311290000 FRONT DRIVE AXLE ASSEMBLY-5 (cont'd.)

No.	Part No.	Description	Version	QTY.	Remark
20	TC02311010074	PLUG M10X1		2	
21	TC02311010040	ADJUSTMENT MATS		1	
22	TC02311010043	SLIDING BEARING		1	
23	TC02311010042	BUSHING		1	
24	TC02311170062	FLOATING OIL SEAL		1	
25	TC02311020037	LEFT HALF SHAFT HOUSING BODY		1	
26	TC05311090010	RESPIRATOR		1	
27	TC02311290006	COVER		1	

LOWVOL
zn D20743

TC02311290000 FRONT DRIVE AXLE ASSEMBLY-6



TC02311290000 FRONT DRIVE AXLE ASSEMBLY-6

No.	Part No.	Description	Version	QTY.	Remark
	TC02311290002	FRONT AXLE		1	
	TC02311010002	MAIN REDUCER BOX ASSEMBLY		1	
1	TC02311010018	DIFFERENTIAL ASSEMBLY		1	
1.1	GBT70. 1-M10X70-8. 8	HEXAGON SOCKET HEAD CAP SCREW		6	
1.2	GBT93-10	STANDARD SPRING WASHER		6	
1.3	TC02311010027	DIFFERENTIAL LEFT HOUSING		1	
1.4	TC02311010030	SPACER		2	
1.5	TC02311010035	SIDE GEAR		2	
1.6	TC02311010033	PLANET GEAR SHAFT		1	
1.7	TC02311010031	PLANETARY HOUSING PAD		2	
1.8	TC02311010034	PLANETARY GEAR		2	
1.9	GBT119. 1-8h8X45-A0P	CYLINDRICAL PIN		1	
1.10	GBT119. 1-8h8X20-A0P	CYLINDRICAL PIN		2	
1.11	TC02311010028	DIFFERENTIAL RIGHT HOUSING		1	
2	GBT276-6216	DEEP GROOVE BALL BEARING		2	
3	TC02311010026	GEAR		1	
3.1	TC02311010029	CENTRAL TRANSMISSION BIG SPIRAL BEVEL GEAR		1	
3.2	TC02311010020	DRIVING SPIRAL BEVEL GEAR SHAFT		1	
4	TC02311010019a	MAIN REDUCER BOX HOUSING		1	
5	TD904. 311K. 1-13	SCREW PLUG		1	
6	GBT3452. 1-21. 2X2. 65G	O-RING RUBBER SEAL FOR HYDRAULIC AND PNEUMATIC		1	
7	TC02311010083	ADJUSTING GASKET		1	

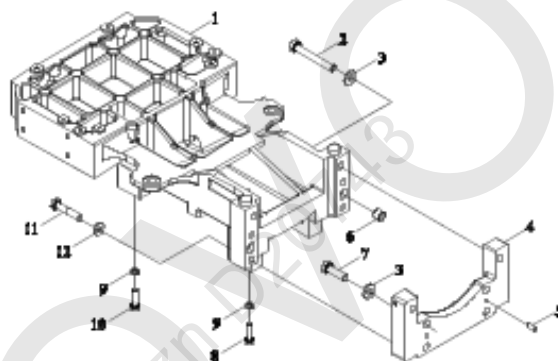
TC02311290000 FRONT DRIVE AXLE ASSEMBLY-6 (cont'd.)

No.	Part No.	Description	Version	QTY.	Remark
8	GBT297-32208	TAPERED ROLLER BEARING-30211-J2-Q		2	
9	TC02311010022	SPACER		1	
10	TC02311010023	ADJUSTING GASKET		1	
11	GBT893.1-80	RETAINING RING FOR HOLE		1	
12	GBT9877.1-FB55X80X8D	ROTARY SHAFT LIP SEAL WITH INNER FRAME		1	
13	GBT3452.1-41.2X3.55G	O-RING RUBBER SEAL FOR HYDRAULIC AND PNEUMATIC		1	
14	TC02311010025	OIL SEAL SEAT		1	
15	TC02311010088	LOCKING NUT		1	
16	TC02311010024	PROTECTION BUSH		1	

LOWVOL
zn D20743

TB1S31202000K BRACKET ASSEMBLY

LOWELOW
zn D20743

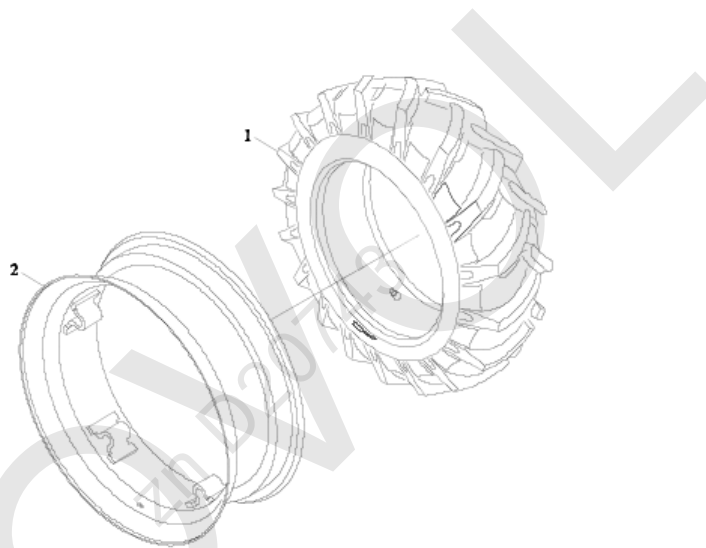


TB1S31202000K BRACKET ASSEMBLY

No.	Part No.	Description	Version	QTY.	Remark
	TB1S31202000K	BRACKET ASSEMBLY	001	1	
1	TB1S312020001K	FRONT BRACKET		1	
2	BZF0003. 1-005	HEXAGON HEAD BOLT		2	
3	FT804. 31B. 120	WASHER		6	
4	TB1S312020002K	SPACER		1	
5	GBT119. 1-10m6X26-A3L	CYLINDRICAL PIN		2	
6	FT800. 31. 120	BRACKET CONNECTING SLEEVE		2	
7	BZF0003. 1-004	HEXAGON HEAD BOLT		4	
8	GBT5783-M14X40-10. 9-A3L	HEX HEAD BOLTS		4	
9	GBT93-14-A3L	STANDARD SPRING WASHER		8	
10	GBT5783-M14X45-10. 9-A3L	HEX HEAD BOLTS		4	
11	GBT5782-M16X80-10. 9-A3L	HEX HEAD BOLTS		4	
12	FT654. 32. 104	WASHER		4	

TB1S320040000K DRIVING WHEEL-FRONT

LOWVOL
zn D20743

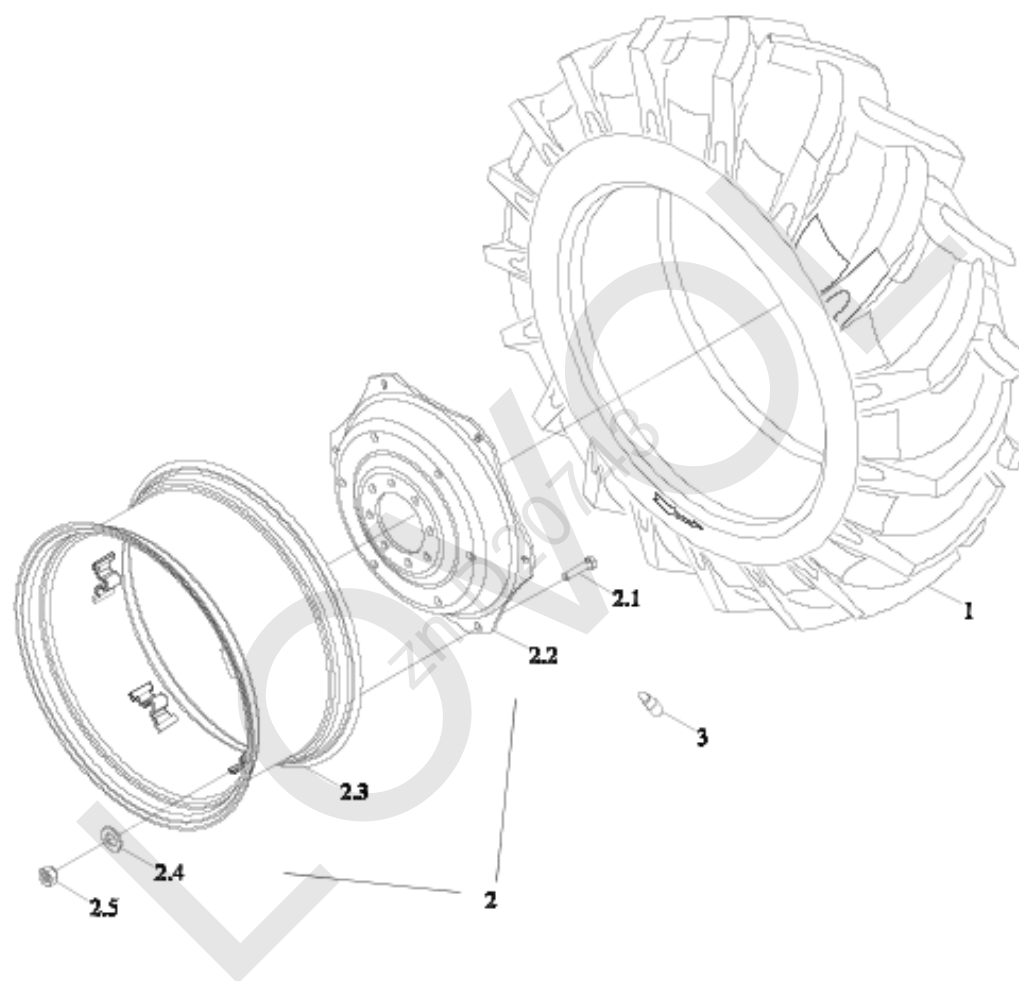


TB1S320040000K DRIVING WHEEL-FRONT

No.	Part No.	Description	Version	QTY.	Remark
	TB1S320040000K	FRONT DRIVING WHEEL ASSEMBLY		1	
1	TB1S320040001K	AGRICULTURAL RADIAL TIRE 280/70R20		1	
2	TC02320030005K	RIM WELDMENT		1	

TB1S340050000K REAR DRIVING WHEEL ASSEMBLY

LOWVOL
zn D20743

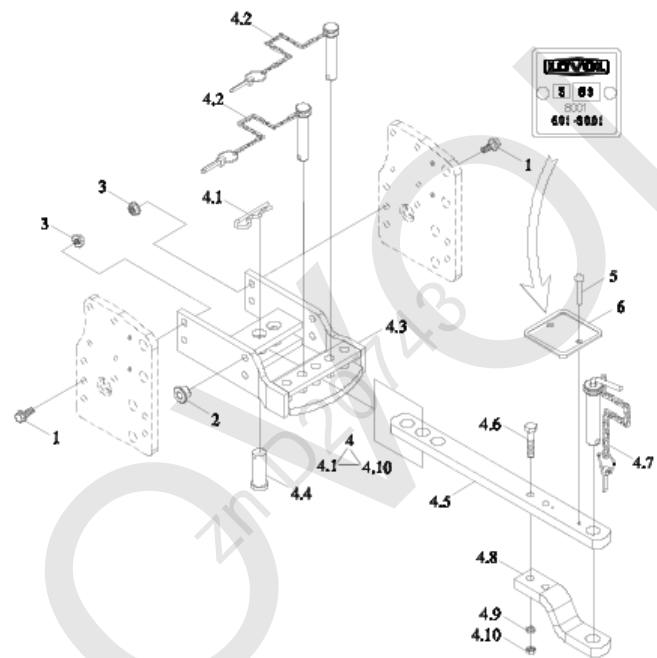


TB1S340050000K REAR DRIVING WHEEL ASSEMBLY

No.	Part No.	Description	Version	QTY.	Remark
	TB1S340050000K	REAR DRIVING WHEEL ASSEMBLY	001	1	
1	TB1S340050001K	AGRICULTURAL RADIAL TIRE		1	
2	TB1S340040001K	RIM SPOKE ASSEMBLY W13X28		1	
3	TK3400004000	CYCLE VALVE		1	

TB1S350010000K TRACTION

LOWVOL
zn D20743

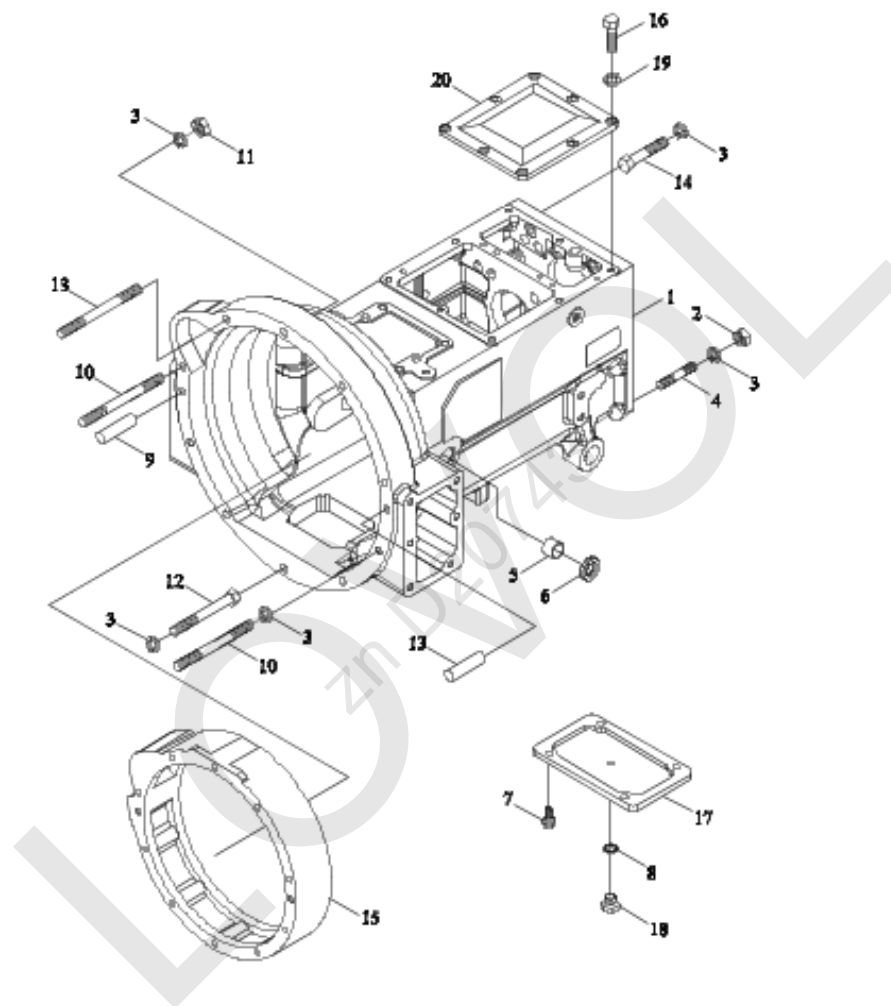


TB1S350010000K TRACTION

No.	Part No.	Description	Version	QTY.	Remark
	TB1S350010000K	TOWING MECHANISM INSTALLATION ASSEMBLY		1	
1	GBT5789-M16X60-8.8-A3L	HEXAGON FLANGE NUT		8	
2	TB1S350010001K	CONNECTING SLEEVE		2	
3	GBT6177.1-M16-8-A3L	HEXAGON FLANGE NUT		8	
4	TB1S350010003K	TRACTION DEVICE ASSEMBLY		1	
4.1	FT65.35.103	SPRING LOCK PIN		1	
4.2	TB400.35.1.1	LIMITING PIN AND LOCK PIN ASSEMBLY		2	
4.3	TB400.35C.1.1	TOWING BRACKET WELDMENT		1	
4.4	FT300.35A.103	CONNECTING PIN		1	
4.5	TB1S350010004K	SWING ROD		1	
4.6	TB400.35.1-03	BOLT M16X75		2	
4.7	TB400.35.1.2	TOWING PIN AND LOCK PIN ASSEMBLY		1	
4.8	TB400.35.1-02	CONNECTING SWING ROD		1	
4.9	GBT93-16-A3L	STANDARD SPRING WASHER		2	
4.10	GBT6170-M16-8-A3L	HEXAGON NUT, TYPE-1		2	
5	GBT827-3X8-A0P	LABEL RIVET		2	
6	TB1S350010002K	TRACTION ATTESTATION SCUTCHEON		1	

TB1S371010000K GEARBOX HOUSING

LOWLOL
zn D20743

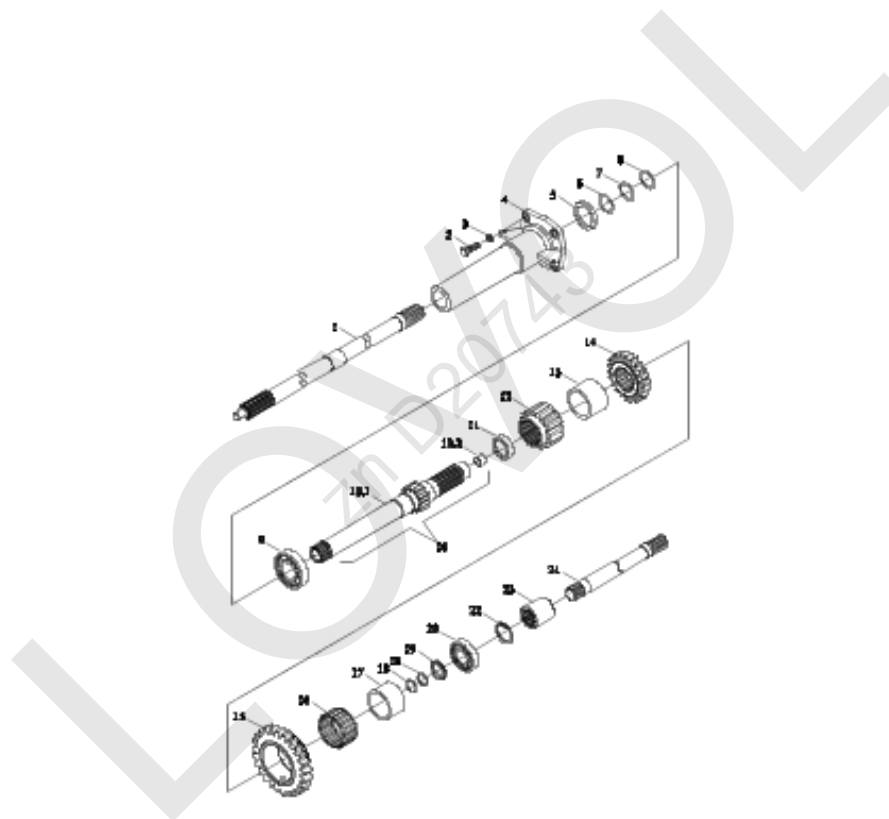


TB1S371010000K GEARBOX HOUSING

No.	Part No.	Description	Version	QTY.	Remark
	TB1S371010000K	GEARBOX HOUSING ASSEMBLY	003	1	
1	TB604.371-01a	GEARBOX HOUSING		1	
2	GBT6171-M12X1.5-10-A3L	TYPE 1 HEX NUT		8	
3	GBT93-12-A3L	STANDARD SPRING WASHER		20	
4	GBT899-AM12-M12X1.5X35-10.9-A3 L	STUD		8	
5	TC03371040020a	COMPOUND SLEEVE 25X30X20		2	
6	FT300.43.141	FRAMEWORK OIL SEAL		2	
7	GBT16674.1-M10X20-8.8-A3L	HEX FLANGE BOLTS		4	
8	JB982-10	COMBINATION GASKET		1	
9	GBT119.1-12m6X30-A3L	CYLINDRICAL PIN		6	
10	GBT899-AM12-M12X160-10.9-A3L	STUD		2	
11	GBT6170-M12-10-A3L	TYPE 1 HEX NUT		9	
12	GBT5782-M12X140-10.9-A3L	HEX HEAD BOLTS		1	
13	GBT899-AM12-M12X170-10.9-A3L	STUD		7	
14	GBT5785-M12X1.5X55-10.9-A3L	HEX HEAD BOLTS		2	
15	TB1S371010001K	SPACER		1	
16	GBT5783-M10X25-8.8-A3L	HEX HEAD BOLTS		8	
17	TB400.371E-03	LOWER PLUG COVER		1	
18	Q617B10	HEXAGON PLUG		1	
19	GBT93-10-A3L	STANDARD SPRING WASHER		8	
20	TB604.371-02	GEARBOX UPPER COVER		1	

LOWVOL
zn D20743

TB1S372030000K MAIN GEARSHIFT ASSEMBLY-1



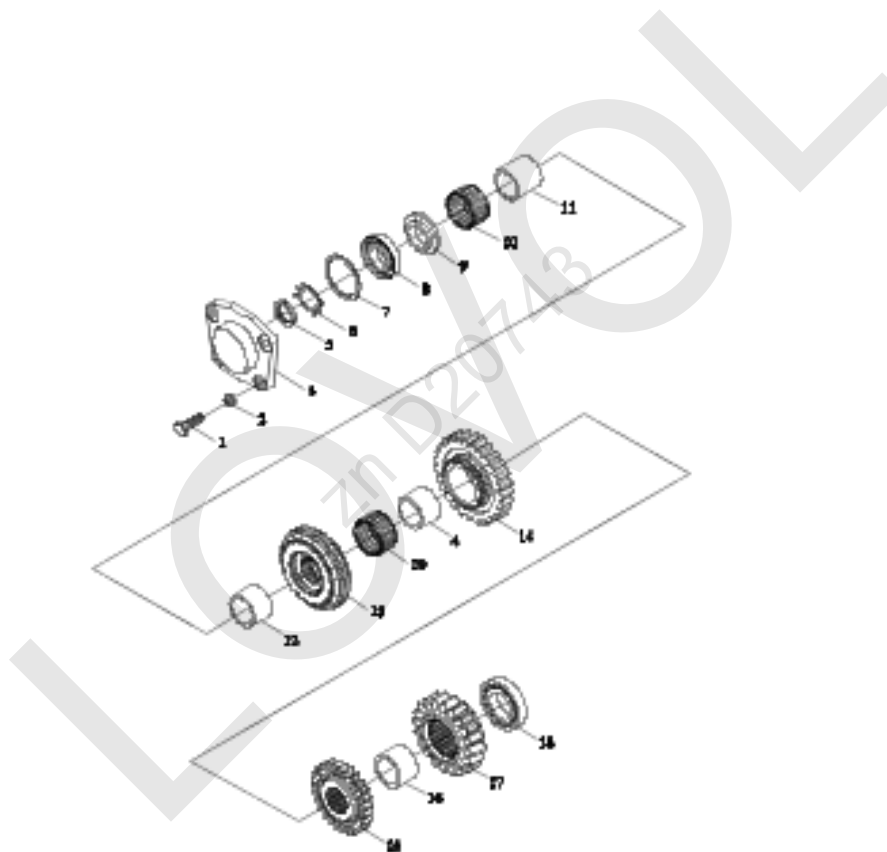
TB1S372030000K MAIN GEARSHIFT ASSEMBLY-1

No.	Part No.	Description	Version	QTY.	Remark
	TB1S372030000K	MAIN GEARSHIFT ASSEMBLY	004	1	
1	TB1S372030001K	AUXILIARY CLUTCH SHAFT		1	
2	GBT5783-M8X25-8. 8-A2L	HEX HEAD BOLTS		8	
3	GBT93-8-A3L	STANDARD SPRING WASHER		8	
4	TB1S372030004K	SHAFT I BEARING COVER		1	
5	GBT9877. 1-FB40X62X8F	ROTARY SHAFT LIP SEAL WITH INNER FRAME		1	
6	TB604. 372T-12	I SHAFT ADJUSTING WASHER		1	
7	TB604. 372T-13	I SHAFT ADJUSTING WASHER		1	
8	TB604. 372T-14	I SHAFT ADJUSTING WASHER		1	
9	GBT276-6208	DEEP GROOVE BALL BEARING		1	
10	TB1S372030002K	SHAFT I UNIT		1	
10. 1	TB1S372030003K	SHAFT I		1	
10. 2	FT300. 37. 170	BUSHING		1	
11	TB550. 372-16	BEARING KK42X49X35. 5		1	
12	TB1S372010009K	I DRIVEN GEAR		1	
13	TB550. 372-20	I-II GEAR SPACER		1	
14	TB1S372010010K	II DRIVING GEAR		1	
15	TB604. 372T-05	III DRIVING GEAR		1	
16	TB604. 372T-17	ROLLER NEEDLE BEARING K47X52X28		1	
17	TB604. 372T-16	III GEAR BUSH		1	
18	GBT3452. 1-23. 6X1. 80G	O-RING RUBBER SEAL FOR HYDRAULIC AND PNEUMATIC		2	
19	TB604. 372T-04	WASHER		1	

TB1S372030000K MAIN GEARSHIFT ASSEMBLY-1 (cont'd.)

No.	Part No.	Description	Version	QTY.	Remark
20	TB604. 373T. 7	BEARING		1	
21	TB1S372010008Ka	PTO CONNECTING SHAFT		1	
22	GBT893. 1-21	RETAINING RING FOR HOLE		1	
23	FT300. 37. 136	CONNECTING SLEEVE		1	

TB1S372030000K MAIN GEARSHIFT ASSEMBLY-2



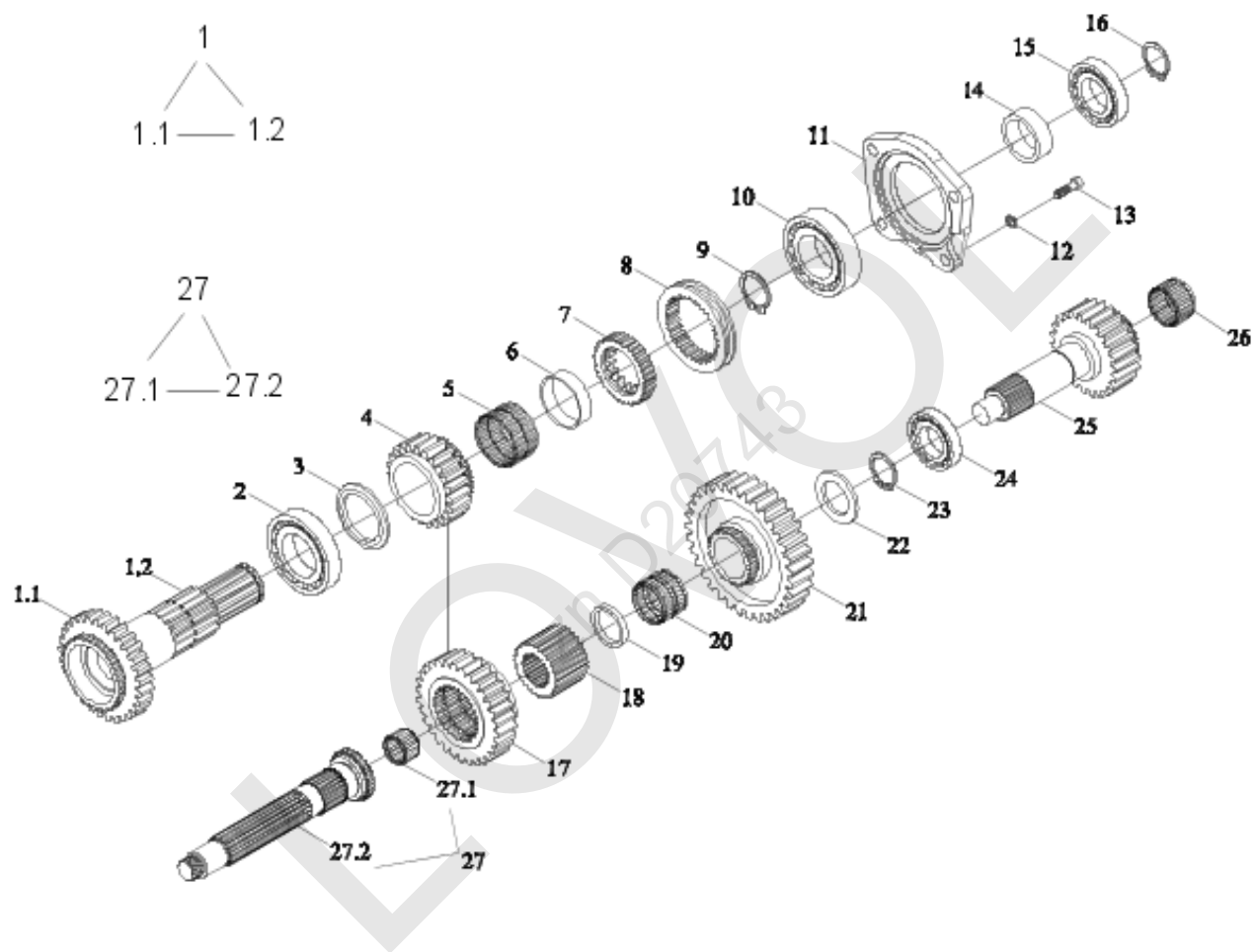
TB1S372030000K MAIN GEARSHIFT ASSEMBLY-2

No.	Part No.	Description	Version	QTY.	Remark
	TB1S372030000K	MAIN GEARSHIFT ASSEMBLY	004	1	
1	GBT5783-M8X25-8. 8-A2L	HEX HEAD BOLTS		8	
2	GBT93-8-A3L	STANDARD SPRING WASHER		8	
3	TY3S372010002K	SHAFT II BEARING COVER		1	
4	TB550. 372-15	SPACER		1	
5	GBT812-M24X1. 5	ROUND NUT		1	
6	GBT858-24	TAB WASHER FOR ROUND NUT		1	
7	TB3S372020019	THRUST RING		1	
8	TB604. 372T-19	BEARING		1	
9	TB550. 372-08	SHAFT II END RETAINER RING		1	
10	QLWZB120-K43X49X30	NEEDLE ROLLER BEARING-K30X35X17		1	
11	FT300. 37M. 114	I-II GEAR BUSH		1	
12	TB550. 372-07	I GEAR BUSH		1	
13	TE354. 361T. 3	SYNCHRONIZER ASSEMBLY		1	
14	TB1S372010011K	II DRIVEN GEAR		1	
15	TB604. 372T-07	III DRIVEN GEAR		1	
16	FT300. 37. 110	III-IV GEAR SPACER		1	
17	TS04372030009	IV DRIVEN GEAR		1	
18	GBT283-NUP208E	COLUMN ROLLER BEARING		1	

LOWVOL
zn D20743

TB1S37302000K AUXILIARY TRANSMISSION

LOWVOL
zn D20743



TB1S373020000K AUXILIARY TRANSMISSION

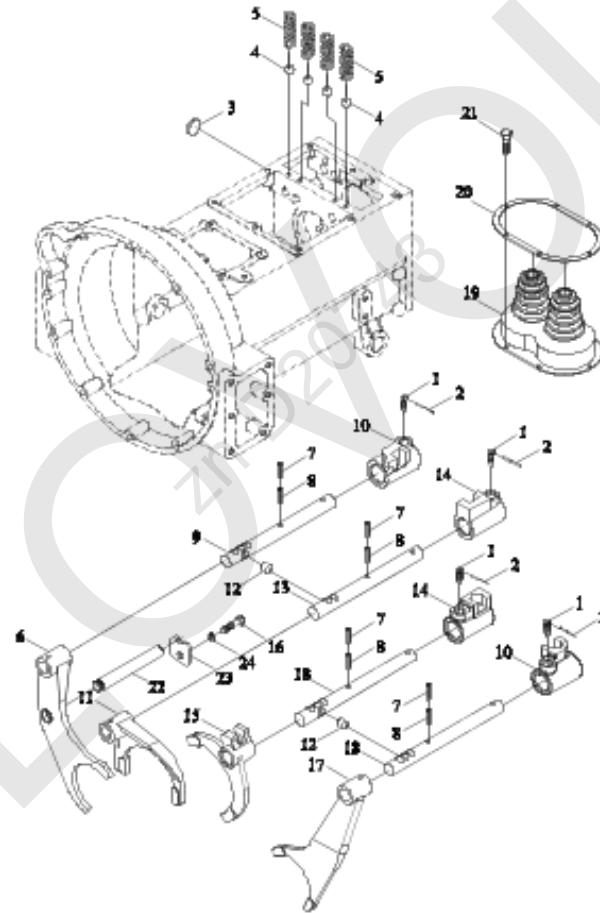
No.	Part No.	Description	Version	QTY.	Remark
	TB1S373020000K	AUXILIARY GEARSHIFT ASSEMBLY	001	1	
1	TB1S373010003K	SYNCHRONIZER ASSEMBLY		1	
1.1	TB604.372T.3	SYNCHRONIZER ASSEMBLY		1	
1.2	TB1S373010001K	CONE RING WELDMENT		1	
2	GBT283-NUP210E	COLUMN ROLLER BEARING		1	
3	TB550.373-02	RETAINING RING		1	
4	TB550.373-03b	MIDDLE GEAR DRIVING GEAR		1	
5	TB550.373-12	ROLLING BEARING KK50X55X30		1	
6	TB550.373-04b	SPACER		1	
7	TB550.373-05b	MIDDLE GEAR MESHING GEAR SEAT		1	
8	TB550.373-06a	MIDDLE GEAR SHIFT COLLAR		1	
9	GBT894.1-50	RETAINING RING FOR SHAFT		1	
10	TB604.373T.6	COLUMN ROLLER BEARING		1	
11	FT300.37.139	AUXILIARY GEARSHIFT BEARING COVER		1	
12	GBT93-10-A3L	STANDARD SPRING WASHER		4	
13	GBT5783-M10X30-8.8-A3L	HEX HEAD BOLTS		4	
14	FT300.37J.180	SPACER		1	
15	GBT283-NF208	COLUMN ROLLER BEARING		1	
16	GBT894.1-40	RETAINING RING FOR SHAFT		1	
17	TB550.373-08	MIDDLE GEAR DRIVEN GEAR		1	
18	TB550.373-09	REVERSE GEAR MESHING SEAT		1	
19	FT300.37.111	SPACER		1	
20	QLWZB120-K35X43X34ZW	NEEDLE ROLLER BEARING-K30X35X17		1	

TB1S373020000K AUXILIARY TRANSMISSION (cont'd.)

No.	Part No.	Description	Version	QTY.	Remark
21	FT450. 37. 103	AUXILIARY GEARSHIFT DRIVEN GEAR		1	
22	FT300. 38J. 219	ADJUSTING WASHER		1	
22	FT300. 38J. 220	ADJUSTING WASHER		1	
22	FT300. 38J. 221	ADJUSTING WASHER		1	
22	FT300. 38J. 222	ADJUSTING WASHER		1	
22	FT300. 38J. 224	ADJUSTING WASHER		1	
22	FT300. 38J. 238	ADJUSTING WASHER		1	
22	FT300. 38J. 202	ADJUSTING WASHER		1	
23	GBT894. 1-35	RETAINING RING FOR SHAFT		1	
24	GBT283-NUP307E	COLUMN ROLLER BEARING		1	
25	TB550. 373-16	AUXILIARY GEARSHIFT DRIVEN SHAFT		1	
26	GBT20056-K25X31X20	NEEDLE AND CARRIER COMBINATION		1	
27	TB704. 372T. 1	II SHAFT COMBINATION		1	
27. 1	TB704. 372. 2-02	2 SHAFT SLEEVE		1	
27. 2	TB704. 372T. 1-01	SHAFT II		1	

LOWVOLT
zn D20743

TB1S374020000K CONTROL MECHANISM ASSEMBLY (GEARSHIFT) -1



TB1S374020000K CONTROL MECHANISM ASSEMBLY (GEARSHIFT) -1

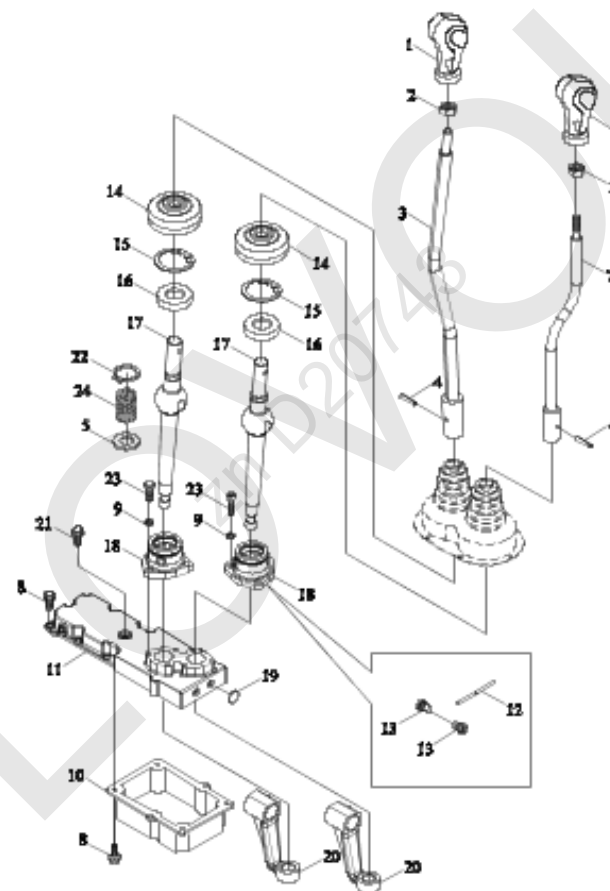
No.	Part No.	Description	Version	QTY.	Remark
	TB1S374020000K	GEARBOX CONTROL MECHANISM ASSEMBLY	001	1	
1	TB504. 374-01	SET SCREW M16X1. 5		4	
2	TF1004. 374-02	LOW CARTON STEEL WIRE SZ-1. 4X250		4	
3	Q72214	PLUG PIECE		2	
4	GBT308-8-G100-b	STEEL BALL		4	
5	FT300. 37. 135	FORK SHAFT LOCATING SPRING		4	
6	TB550. 374-03b	HIGH AND LOW GEAR FORK		1	
7	GBT879. 1-3X24	ELASTIC CYLINDRICAL PIN		4	
8	GBT879. 1-5X24	ELASTIC CYLINDRICAL PIN		4	
9	TB604. 374B-03	HIGH AND LOW GEAR FORK SHAFT		1	
10	TB604. 374B-05a	I-II GEAR FORK HEAD		2	
11	TB550. 374-04a	MIDDLE GEAR FORK		1	
12	FT300. 37. 151	MUTUAL PIN		2	
13	TB604. 374B-04	MIDDLE GEAR FORK SHAFT		1	
14	TB604. 374B-06a	III-IV FORK HEAD		2	
15	TB604. 374A-01	III-IV FORK		1	
16	GBT5783-M8X20-8. 8-A3L	HEX HEAD BOLTS		1	
17	TB604. 374A-04	I-II GEAR FORK		1	
18	TB604. 374B-01	I-II GEAR FORK SHAFT		2	
19	TB604. 374B-08	GEARLEVER SLEEVE		1	
20	TB604. 374B-09	SLEEVE PRESSURE PLATE		1	
21	GBT5789-M6X12-8. 8-A2L	HEX FLANGE BOLTS		6	
22	TS04374010012	SUPPORT SHAFT		1	

TB1S374020000K CONTROL MECHANISM ASSEMBLY (GEARSHIFT)-1 (cont'd.)

No.	Part No.	Description	Version	QTY.	Remark
23	TS04374010013	POSITIONING PLATE		1	
24	GBT93-8-A3L	STANDARD SPRING WASHER		1	

LOWELOW
zn D20743

TB1S374020000K CONTROL MECHANISM ASSEMBLY (GEARSHIFT) -2



TB1S374020000K CONTROL MECHANISM ASSEMBLY (GEARSHIFT) -2

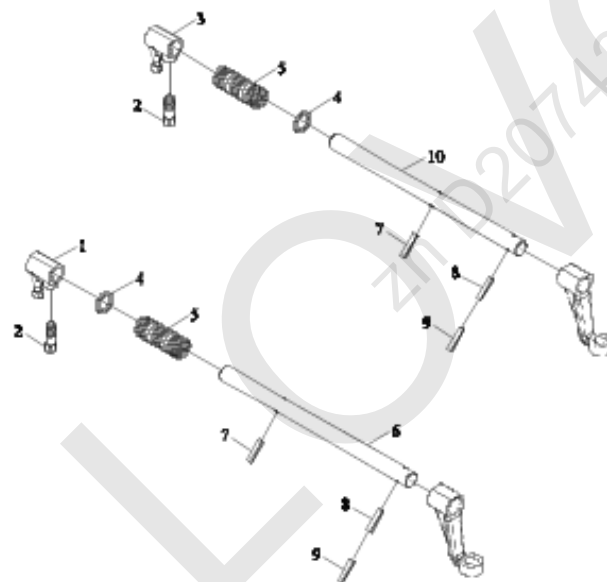
No.	Part No.	Description	Version	QTY.	Remark
	TB1S374020000K	GEARBOX CONTROL MECHANISM ASSEMBLY		1	
	TB3S374020001K	SIDE CONTROL MECHANISM ASSEMBLY		1	
1	TS04374010001	MAIN GEARSHIFT CONTROL HANDLE		1	
2	GBT6172. 1-M10-04-A3L	HEXAGON THIN NUT		2	
3	TS04374050001	MAIN GEARLEVER WELDMENT		1	
4	QLWZB140-5X28	PIN		2	
5	GBT97. 1-16-A3L	FLAT WASHERS		2	
6	TS04374010002	AUXILIARY GEARSHIFT CONTROL HANDLE		1	
7	TS04374050003	ASSISTANT GEARLEVER WELDMENT		1	
8	GBT16674. 1-M8X20-8. 8-A2L	HEX FLANGE BOLTS		13	
9	GBT93-8-A3L	STANDARD SPRING WASHER		6	
10	TB604. 374B. 1-02	SIDE CONTROL LOWER COVER		1	
11	TB1S374010002K	SIDE CONTROL UPPER COVER		1	
12	TF1004. 374-02	LOW CARTON STEEL WIRE SZ-1. 4X250		4	
13	TH04383020028	GEARLEVER LOCATING PIN		4	
14	FT300. 37. 166a	GEARLEVER DUSTPROOF BONNET		2	
15	GBT893. 1-40	RETAINING RING FOR HOLE		2	
16	FT800A. 37. 305	NYLON SEAT		2	
17	TB604. 374B. 1-09	LOWER CONTROL ROD		2	
18	TB504. 374-06	AUXILIARY GEARLEVER SEAT		2	
19	Q72220	PLUG PIECE		2	
20	TB604. 374B. 1-06	FORK HEAD		2	
21	GBT16674. 1-M8X50-8. 8-A2L	HEX FLANGE BOLTS		1	

TB1S374020000K CONTROL MECHANISM ASSEMBLY (GEARSHIFT) -2 (cont'd.)

No.	Part No.	Description	Version	QTY.	Remark
22	TB604.374B.1-14	RETAINING RING FOR SHAFT		2	
23	GBT70.1-M8X25-8.8-A2L	HEXAGON SOCKET HEAD CAP SCREW		6	
24	TB604.374B.1-15	GEARLEVER SPRING		2	

LOWVOL
zn D20743

TB1S374020000K CONTROL MECHANISM ASSEMBLY (GEARSHIFT) -3



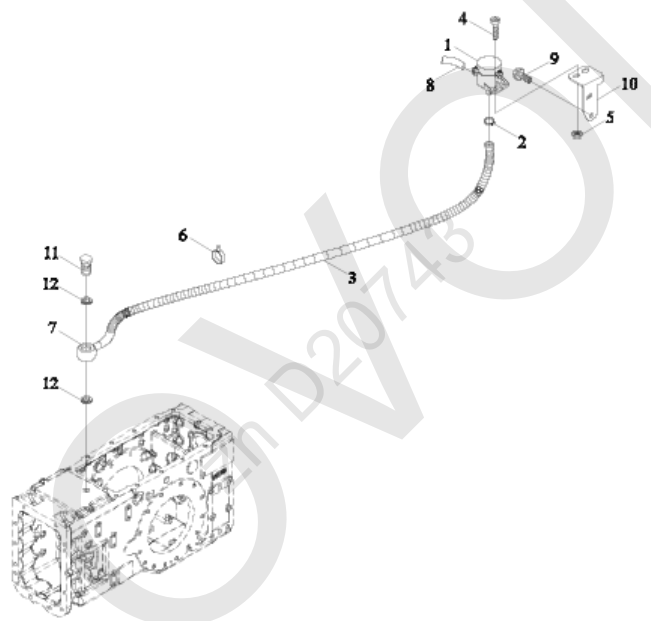
TB1S374020000K CONTROL MECHANISM ASSEMBLY (GEARSHIFT) -3

No.	Part No.	Description	Version	QTY.	Remark
	TB1S374020000K	GEARBOX CONTROL MECHANISM ASSEMBLY		1	
	TB3S374020001K	SIDE CONTROL MECHANISM ASSEMBLY		1	
1	TB1S374010003aK	SIDE CONTROL INNER FORK HEAD		1	
2	TB504. 374-01	SET SCREW M16X1. 5		2	
3	TB604. 374B. 1-05a	SIDE CONTROL INNER FORK HEAD		1	
4	TB604. 374B. 1-08	SPRING WASHER		2	
5	TB604. 374B. 1-07	LOCATING SPRING		2	
6	TB604. 374B. 1-03a	MAIN SPEED TRANSMISSION ROD		1	
7	GBT879. 1-6X24	ELASTIC CYLINDRICAL PIN		2	
8	GBT879. 1-3. 5X28	ELASTIC CYLINDRICAL PIN		2	
9	GBT879. 1-6X28	ELASTIC CYLINDRICAL PIN		2	
10	TB604. 374B. 1-04a	AUXILIARY GEAR ROD		1	

LOWVOL
zn D20743

TB1S375010000K BREATHING APPARATUS

LOWVOL
zn D20743

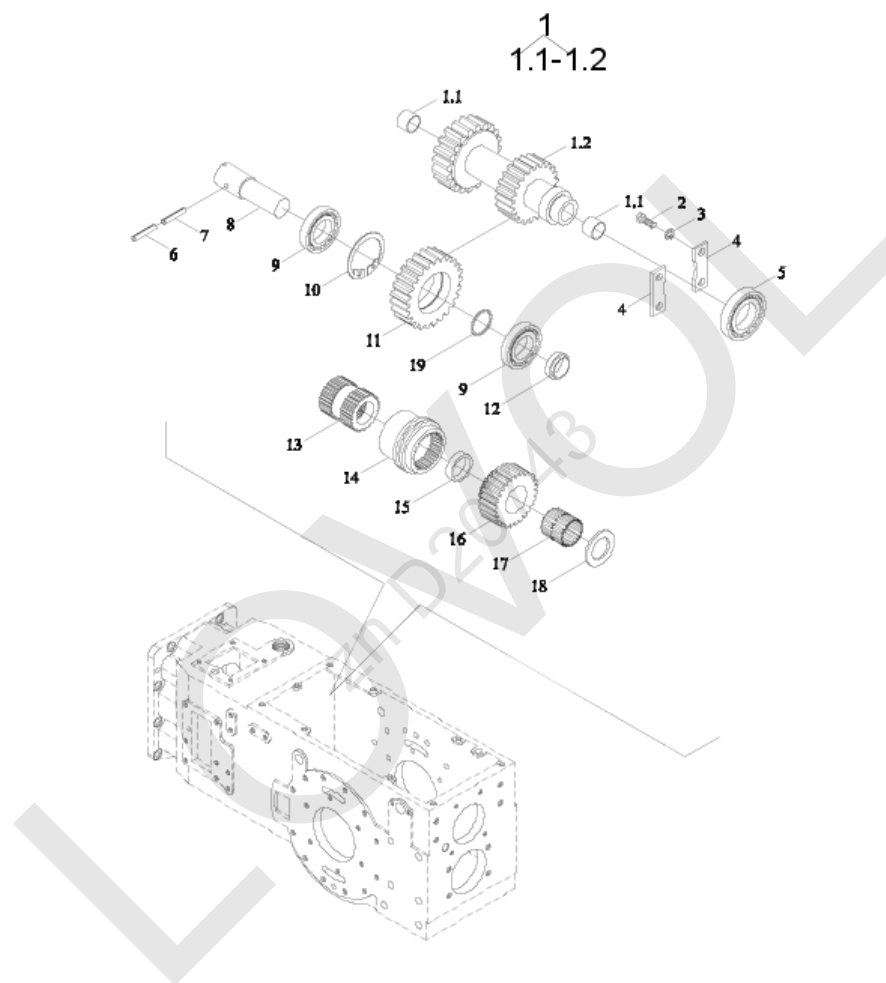


TB1S375010000K BREATHING APPARATUS

No.	Part No.	Description	Version	QTY.	Remark
	TB1S375010000K	BREATH ASSEMBLY		1	
1	TL02551020002	BREATH ASSEMBLY		1	
2	Q67512	A-TYPE WORM TRANSMISSION HOSE CLAMP		3	
3	TB1S375010002K	BREATH HOSE 8X2X1000		1	
4	GBT70. 1-M8X20-8. 8-A2L	INNER HEXAGON SCREW		2	
5	GBT6177. 1-M8-8-A2L	HEXAGON FLANGE NUT		2	
6	3203505D9-L	TIE		4	
7	FT65. 37. 186	PIPE JOINT		1	
8	TB1S375010003K	BREATH HOSE 8X2X380		1	
9	GBT16674. 1-M8X16-8. 8-A2L	HEXAGON FLANGE NUT		2	
10	TB1S375010001K	BREATHER INSTALLATION PLATE		1	
11	FT800. 40. 172	HOLLOW BOLT		1	
12	JBT982-14	COMBINED SEAL GASKET		2	

TB554. 381 SHUTTLE GEARSHIFT ASSEMBLY

LOWVOL
zn D20743

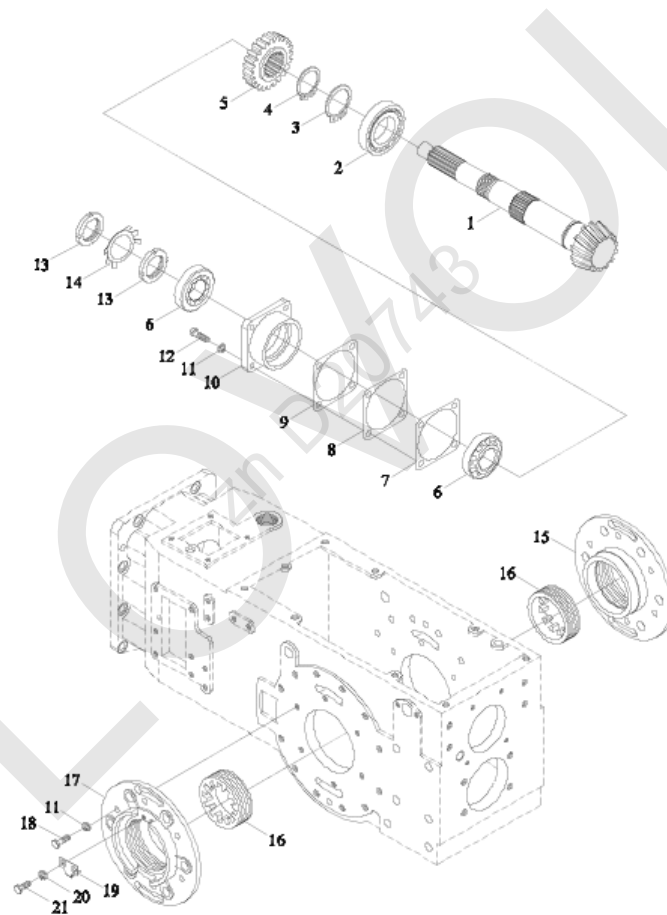


TB554. 381 SHUTTLE GEARSHIFT ASSEMBLY

No.	Part No.	Description	Version	QTY.	Remark
	TB554. 381	SHUTTLE SHIFT ASSEMBLY		1	
1	TB450. 38J. 1	REVERSE MIDDLE SHAFT ASSEMBLY		1	
2	GBT5783-M10X25-8. 8-A3L	BOLT		4	
3	GBT93-10-A0P	WASHER		4	
4	FT300. 38J. 204	BEARING PRESSURE PLATE		2	
5	GBT283-NJ208E	BEARING		1	
6	GBT879. 1-5X30	PIN		1	
7	GBT879. 1-8X30	PIN		1	
8	TB450. 38J-07	REVERSE IDLER GEAR SHAFT		1	
9	GBT283-NJ206E	BEARING		2	
10	GBT893. 1-62	RETAINING RING		1	
11	TB450. 38J-06	REVERSE IDLER GEAR		1	
12	TB450. 38J-08	REVERSE IDLER GEAR SHAFT SPACER SLEEVE		1	
13	TB450. 38J-01	MESHING SEAT		1	
14	TB450. 38J-02	SHIFT COLLAR		1	
15	TB450. 38J-03	SPACER		1	
16	TB450. 38J-04	REVERSE DRIVEN GEAR		1	
17	QSFZB019-K35X43X34ZW	NEEDLE ROLLER BEARING-K30X35X17		1	
18	FT300. 38J. 202	ADJUSTING WASHER		1	
19	TB554. 381-02	GASKET		1	

LOWVOL
zn D20743

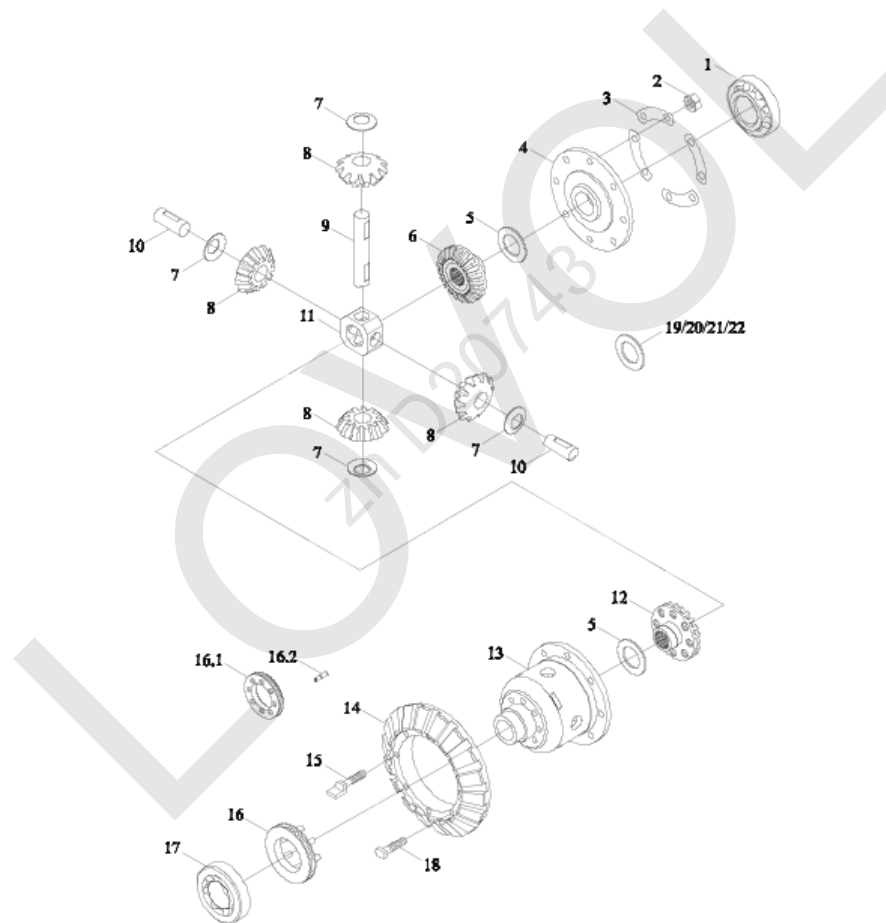
TB1S38202000K CENTRAL TRANSMISSION ASSEMBLY (REAR AXLE) -1



TB1S38202000K CENTRAL TRANSMISSION ASSEMBLY (REAR AXLE) -1

No.	Part No.	Description	Version	QTY.	Remark
	TB1S38202000K	REAR AXLE CENTRAL TRANSMISSION ASSEMBLY	002	1	
1	TB450. 38J-05	SMALL TAPER GEAR SHAFT		1	
2	GBT283-NUP2210E	COLUMN ROLLER BEARING		1	
3	GBT894. 1-50	RETAINING RING FOR SHAFT		1	
4	GBT894. 1-48	RETAINING RING FOR SHAFT		1	
5	TB554. 382-02	FRONT DRIVE OUTPUT GEAR		1	
6	GBT297-32208	TAPERED ROLLER BEARING-30211-J2-Q		2	
7	FT300. 38. 118	TAPER GEAR SHAFT ADJUSTING GASKET		1	
8	FT300. 38. 119	TAPER GEAR SHAFT ADJUSTING GASKET		1	
9	FT300. 38. 120	TAPER GEAR SHAFT ADJUSTING GASKET		1	
10	FT300. 38. 117	BEARING BLOCK		1	
11	GBT93-10-A3L	STANDARD SPRING WASHER		16	
12	GBT5783-M10X30-8. 8-A3L	HEX HEAD BOLTS		4	
13	GBT812-M39X1. 5	ROUND NUT		2	
14	GBT858-39	TAB WASHER FOR ROUND NUT		1	
15	TB1S382020002K	RIGHT DIFFERENTIAL BEARING SEAT		1	
16	FT300. 38. 151	ADJUSTING NUT		2	
17	TB1S382020001K	LEFT DIFFERENTIAL BEARING SEAT		1	
18	GBT5783-M10X25-8. 8-A3L	HEX HEAD BOLTS		12	
19	FT300. 38. 161	LOCK WASHER		2	
20	GBT93-8-A3L	STANDARD SPRING WASHER		4	
21	TB554. 382-01	BOLT		4	

TB1S38202000K CENTRAL TRANSMISSION ASSEMBLY (REAR AXLE) -2



TB1S382020000K CENTRAL TRANSMISSION ASSEMBLY (REAR AXLE) -2

No.	Part No.	Description	Version	QTY.	Remark
	TB1S382020000K	REAR AXLE CENTRAL TRANSMISSION ASSEMBLY		1	
	FT300. 38. 012	DIFFERENTIAL ASSEMBLY		1	
1	GBT297-32013	TAPERED ROLLER BEARING-30211-J2-Q		1	
2	GBT6170-M12-8-A3L	TYPE 1 HEX NUT		8	
3	FT300. 38. 152	LOCKING WASHER		4	
4	FT300. 38. 181	DIFFERENTIAL COVER		1	
5	FT300. 38. 147	SPACER		1	
6	FT300. 38. 144	RIGHT HALF SHAFT GEAR		1	
7	FT300. 38. 148	PLANETARY HOUSING PAD		4	
8	FT300. 38. 145	PLANETARY GEAR		4	
9	FT300. 38. 182	LONG PLANETARY GEAR SHAFT		1	
10	FT300. 38. 183	SHORT PLANETARY GEAR SHAFT		2	
11	FT300. 38. 184	CENTRAL RING		1	
12	FT300. 38. 143	LEFT HALF SHAFT GEAR		1	
13	FT300. 38. 180	DIFFERENTIAL COVER		1	
14	FT300. 38. 141	BIG TAPER GEAR		1	
15	FT300. 38. 185	PLANET GEAR SHAFT THRUST BOLT		4	
16	FT300. 38. 019	DIFFERENTIAL LOCK		1	
16.1	FT300. 38. 157	DIFFERENTIAL LOCK ASSEMBLY		1	
16.2	FT300. 38. 156	PIN		8	
17	GBT297-30211	TAPERED ROLLER BEARING-30211-J2-Q		1	
18	FT300. 38. 186	FIXING BOLT		4	
19	FT300. 38. 196	SPACER		1	

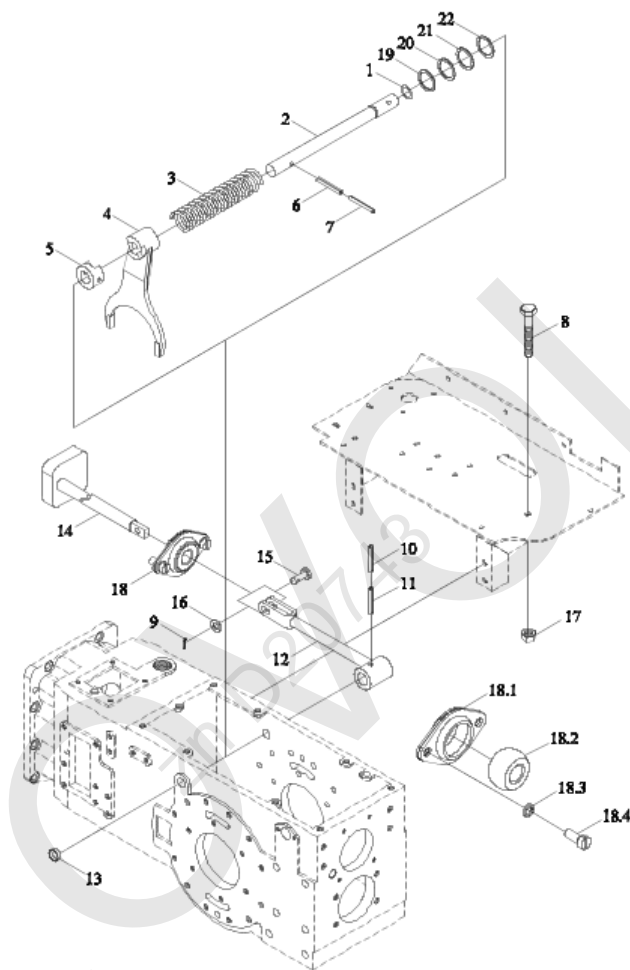
TB1S38202000K CENTRAL TRANSMISSION ASSEMBLY (REAR AXLE) -2 (cont'd.)

No.	Part No.	Description	Version	QTY.	Remark
20	FT300.38.197	SPACER		1	
21	FT300.38.198	SPACER		1	
22	FT300.38.199	SPACER		1	

LOWVOL
zn D20743

TS04383010000 CONTROL MECHANISM ASSEMBLY (DIFFERENTIAL)

LOWVOL
zn D20743



TS04383010000 CONTROL MECHANISM ASSEMBLY (DIFFERENTIAL)

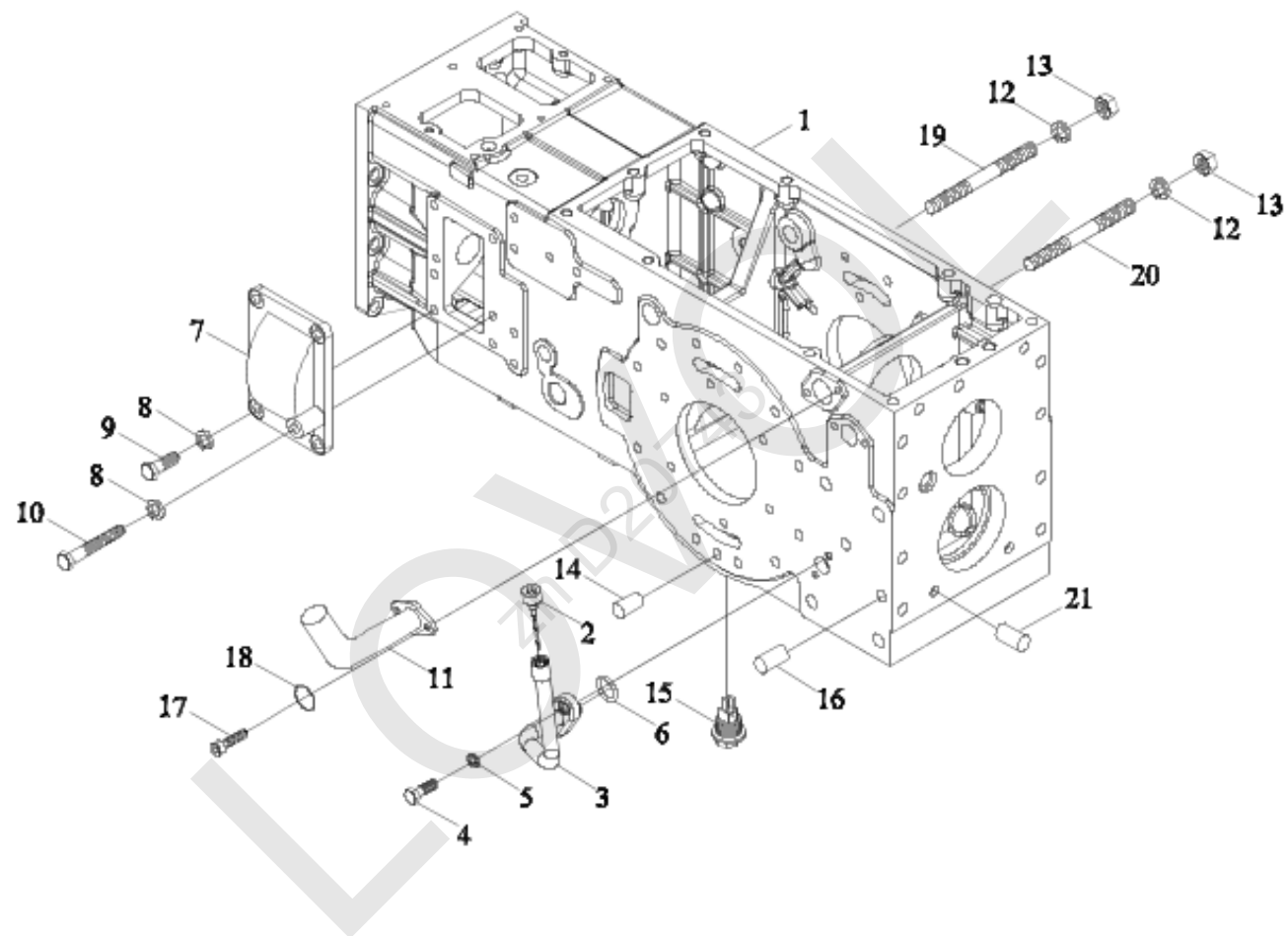
No.	Part No.	Description	Version	QTY.	Remark
	TS04383010000	DIFFERENTIAL LOCK CONTROL MECHANISM ASSEMBLY		1	
1	GBT3452. 1-15. 0X2. 65G	O-RING RUBBER SEAL FOR HYDRAULIC AND PNEUMATIC		1	
2	FT300. 38. 158a	DIFFERENTIAL LOCK FORK SHAFT		1	
3	FT300. 38. 160	DIFFERENTIAL LOCK RETURN SPRING		1	
4	FT300. 38. 159a	DIFFERENTIAL LOCK FORK		1	
5	FT300. 38. 190	DIFFERENTIAL LOCK DIAL BLOCK		1	
6	GBT879. 1-6X40	ELASTIC CYLINDRICAL PIN		1	
7	GBT879. 2-3. 5X40	ELASTIC CYLINDRICAL PIN		1	
8	GBT5781-M8X40-4. 8-A2L	HEX HEAD BOLTS		1	
9	GBT91-2X14-A0P	COTTER PIN		1	
10	GBT879. 1-6X35	ELASTIC CYLINDRICAL PIN		1	
11	GBT879. 2-3. 5X35	ELASTIC CYLINDRICAL PIN		1	
12	TS04383010003	ROCKER WELDMENT		1	
13	Q72220	PLUG PIECE		1	
14	TS04383010001	DIFFERENTIAL LOCK PEDAL		1	
15	GBT882-B6X28	PIN		1	
16	GBT97. 1-6-A0P	FLAT WASHERS		1	
17	GBT6170-M8-8-A2L	HEXAGON NUT, TYPE-1		1	
18	TG1204. 435. 4	SEAL LINER SEAT ASSEMBLY		1	
18. 1	TG1204. 435. 2-01	SPHERICAL SHAFT LINING SEAT		1	
18. 2	TG1204. 435. 2-02	SPHERICAL SHAFT LINING		1	
18. 3	GBT93-6	STANDARD SPRING WASHER		1	

TS04383010000 CONTROL MECHANISM ASSEMBLY (DIFFERENTIAL) (cont'd.)

No.	Part No.	Description	Version	QTY.	Remark
18.4	GBT818-M6X14-4.8-A2L	CROSS RECESSED PAN HEAD SCREWS		1	
19	TB554.383-05	WASHER		999	
20	TB554.383-06	WASHER		999	
21	TB554.383-07	WASHER		999	
22	TB554.383-08	WASHER		999	

TB1S384050000K HOUSING ASSEMBLY (REAR AXLE)

LOWEOL
zn D20743



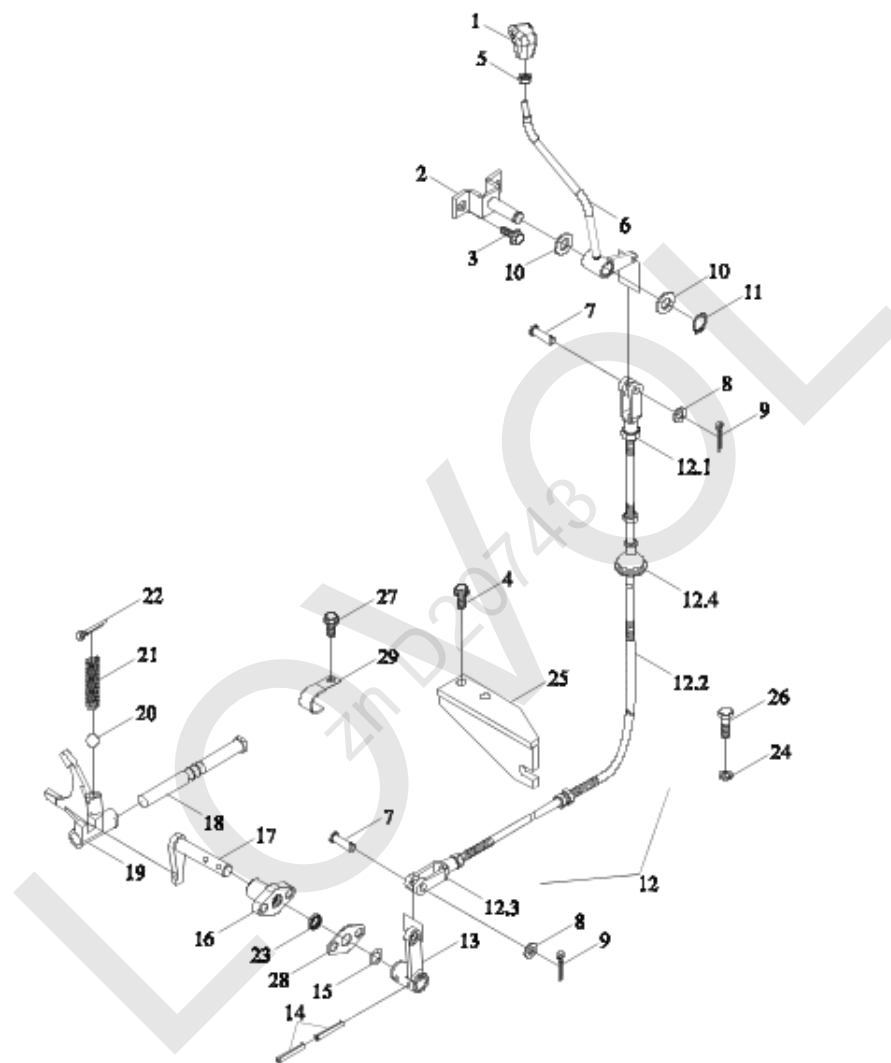
TB1S384050000K HOUSING ASSEMBLY (REAR AXLE)

No.	Part No.	Description	Version	QTY.	Remark
	TB1S384050000K	REAR AXLE HOUSING ASSEMBLY	002	1	
1	TB1S384050001K	REAR AXLE HOUSING		1	
2	TB1S384010006K	DIPSTICK ASSEMBLY		1	
3	TB1S384010002K	OIL DIPSTICK PIPE WELDMENT		1	
4	GBT70. 1-M8X25-8. 8-A2L	HEXAGON SOCKET HEAD CAP SCREW		2	
5	GBT93-8-A3L	STANDARD SPRING WASHER		4	
6	GBT3452. 1-15. 0X2. 65G	O-RING RUBBER SEAL FOR HYDRAULIC AND PNEUMATIC		1	
7	FT300. 38J. 206	REVERSE SIDE COVER		1	
8	GBT93-10-A3L	STANDARD SPRING WASHER		6	
9	GBT5783-M10X25-8. 8-A3L	HEX HEAD BOLTS		5	
10	GBT5782-M10X60-8. 8-A2L	HEX HEAD BOLTS		1	
11	TB604. 384. 3	FILLING CAP ASSEMBLY		1	
12	GBT93-12-A3L	STANDARD SPRING WASHER		24	
13	GBT6171-M12X1. 25-10-A2L	TYPE 1 HEX NUT		24	
14	GBT119. 1-12m6X28-A3L	CYLINDRICAL PIN		2	
15	TC05372020034	OIL PLUG ASSEMBLY		1	
16	TB554. 384-02	PIN		4	
17	GBT70. 1-M8X20-8. 8	HEXAGON SOCKET HEAD CAP SCREW		2	
18	GBT3452. 1-32. 5X1. 80G	O-RING RUBBER SEAL FOR HYDRAULIC AND PNEUMATIC		1	
19	GB899-AM12-M12X1. 25X160-10. 9-A 2L	STUD		4	
20	GB899-AM12-M12X1. 25X150-10. 9-A 2L	STUD		20	
21	GBT119. 1-12m6X30-A3L	CYLINDRICAL PIN		2	

LOWLOL
zn D20743

TS04385010000 SHUTTLE SHIFT CONTROL MECHANISM

LOWVOL
zn D20743



TS04385010000 SHUTTLE SHIFT CONTROL MECHANISM

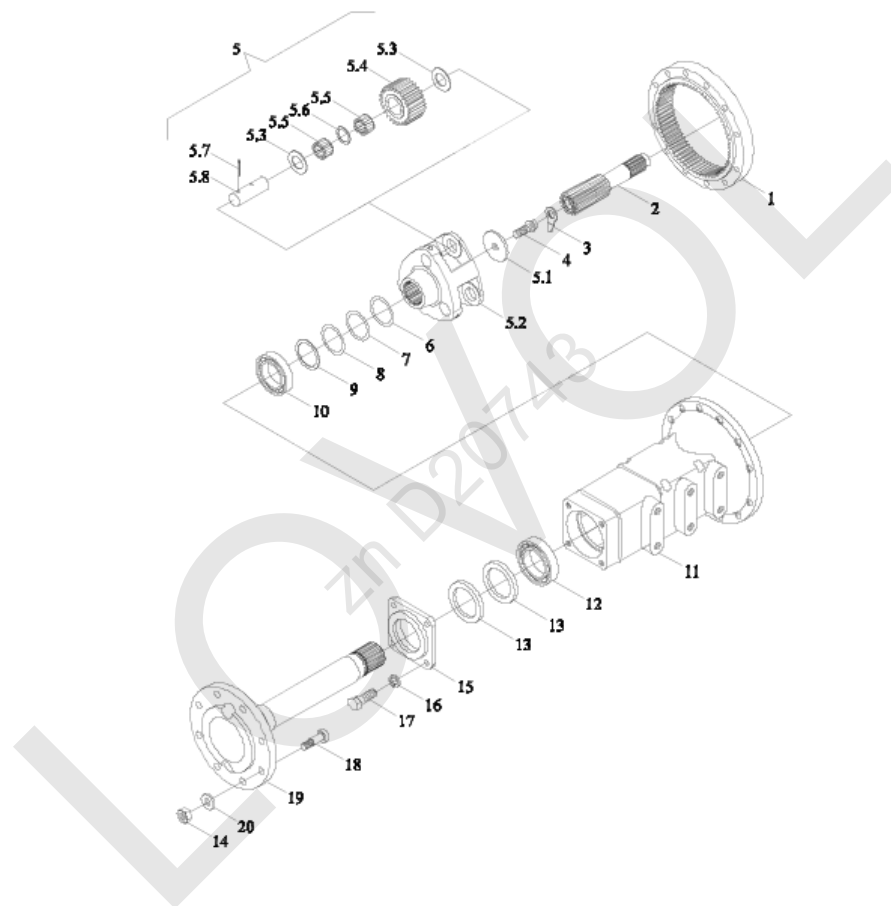
No.	Part No.	Description	Version	QTY.	Remark
	TS04385010000	SHUTTLE SHIFT CONTROL MECHANISM	012	1	
1	TD950.373.2.7	HANDLE BALL ASSEMBLY		1	
2	TS04385010003	BRACKET WELDING		1	
3	GBT16674.1-M8X20-8.8-A2L	HEX FLANGE BOLTS		2	
4	GBT16674.1-M10X25-8.8-A3L	HEX FLANGE BOLTS		2	
5	GBT6173-M10X1-05-A2L	HEXAGON THIN NUT		1	
6	TS04385010014a	SPINDLE TYPE SHIFT LEVER ANDWELDMENT		1	
7	TG1654.373B.1-01	PIN		2	
8	GBT97.1-8-A3L	FLAT WASHERS		2	
9	GBT91-3.2X20-A3L	COTTER PIN		2	
10	TD950.373.2-02	BUSHING		2	
11	GBT894.2-20	RETAINING RING FOR SHAFT		1	
12	TB604.385.3a	SOFT SHAFT WELD		1	
12.1	GBT6172.1-M8-04-A2L	HEXAGON THIN NUT		2	
12.2	TB604.385.3-01	SOFT SHAFT MAIN BODY		1	
12.3	TB604.385.3-03	PULL ROD FORK		2	
12.4	TB604.385.3-05	SLEEVE		1	
13	TB604.385-02a	ROCKER		1	
14	QLWZB140-6X28	PIN		2	
15	GBT3452.1-16.0X1.80G	O-RING RUBBER SEAL FOR HYDRAULIC AND PNEUMATIC		1	
16	TB554.385A-01a	LEVER SHAFT SLEEVE		1	
17	TB554.385-01	ROCKER		1	
18	FT300.38J.203	REVERSE FORK SHAFT		1	

TS04385010000 SHUTTLE SHIFT CONTROL MECHANISM (cont'd.)

No.	Part No.	Description	Version	QTY.	Remark
19	FT300. 38J. 218a	REVERSE GEAR FORK		1	
20	GBT308-9. 5-G100-b	STEEL BALL		1	
21	FT300. 37. 135	FORK SHAFT LOCATING SPRING		1	
22	GBT91-4X32-A3L	COTTER PIN		1	
23	TS04413010018	OIL SEAL FB16X26X7D		1	
24	GBT93-10-A3L	STANDARD SPRING WASHER		2	
25	TB604. 385. 2	SUPPORT PLATE WELDMENT		1	
26	TB400. 385-09a	BOLT M10X30		2	
27	GBT16674. 1-M10X16-8. 8-A3L	HEX FLANGE BOLTS		1	
28	TB554. 385. 3-03	SEAL RETAINER PIECE		1	
29	TC03213010009	FASTENING CLIP		1	

TB1S391010000K FINAL REDUCTION-LEFT

LOWLOL
zn D20743



TB1S391010000K FINAL REDUCTION-LEFT

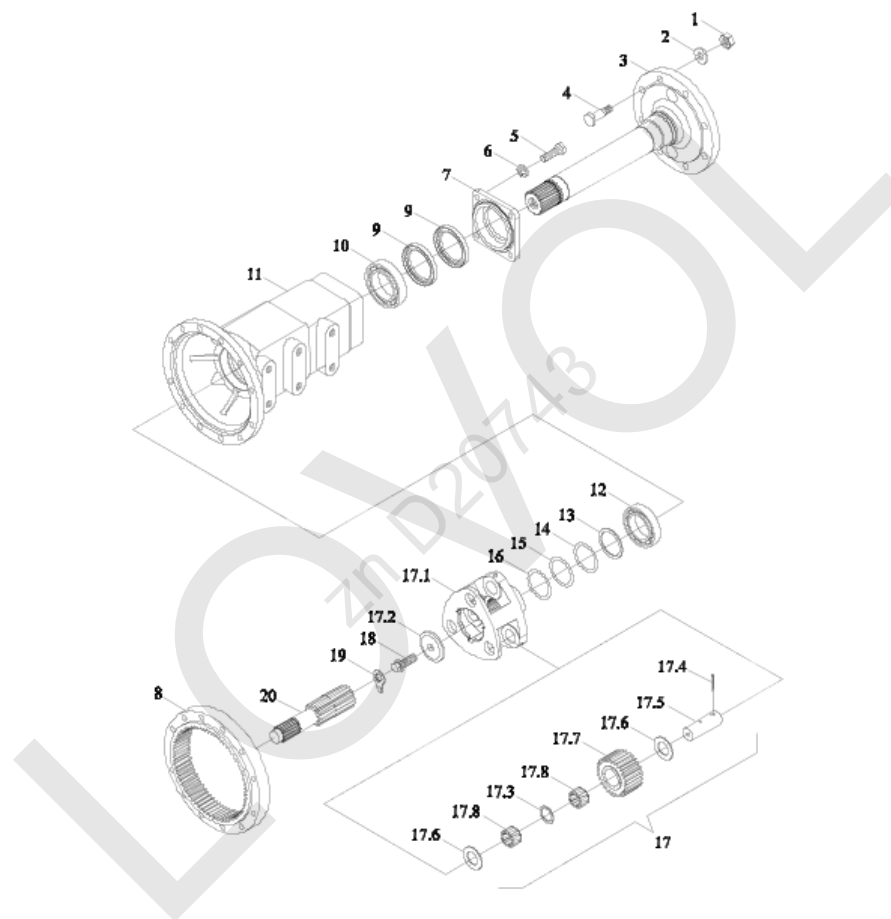
No.	Part No.	Description	Version	QTY.	Remark
	TB1S391010000K	LEFT FINAL TRANSMISSION ASSEMBLY		1	
1	TB450.391-02	FINAL TRANSMISSION GEAR RING		1	
2	TB450.391-01	LEFT FINAL TRANSMISSION HALF SHAFT		1	
3	FT300.39.110	DRIVING SHAFT LOCK PIECE		1	
4	FT300.39.112	DRIVING SHAFT LOCK BOLT		1	
5	TB450.391.1	FINAL TRANSMISSION PLANET BRACKET ASSEMBLY		1	
5.1	FT300.39.111	RETAINER BLOCK		1	
5.2	FT300.39.104	PLANET CARRIER		1	
5.3	FT300.39.109	NEEDLE OUTER SPACER RING		6	
5.4	TB450.391.1-01	FINAL TRANSMISSION PLANET GEAR		3	
5.5	TB300.391.1.1	NEEDLE		6	
5.6	FT300.39.105	NEEDLE INNER SPACER SLEEVE		3	
5.7	QLWZB140-8X26	PIN		3	
5.8	FT300.39.106	PLANET GEAR SHAFT		3	
6	FT300.39.121	ADJUSTING WASHER		1	
7	FT300.39.122	ADJUSTING WASHER		1	
8	FT300.39.123	ADJUSTING WASHER		1	
9	FT300.39.113	SPACER		1	
10	GBT276-6211	DEEP GROOVE BALL BEARING		1	
11	TB1S391010001K	LEFT DRIVING SHAFT HOUSING		1	
12	GBT276-6212	DEEP GROOVE BALL BEARING		1	
13	GBT9877.1-FB70X95X10D	ROTARY SHAFT LIP SEAL WITH INNER FRAME		2	
14	GBT6176-M16X1.5-LH-10-A3L	HEXAGON NUT, TYPE-2		8	

TB1S391010000K FINAL REDUCTION-LEFT (cont'd.)

No.	Part No.	Description	Version	QTY.	Remark
15	FT300. 39. 116	OIL SEAL SEAT		1	
16	GBT93-12-A3L	STANDARD SPRING WASHER		4	
17	GBT5783-M12X30-8. 8-A3L	HEX HEAD BOLTS		4	
18	FT300. 39. 136	REAR HUB BOLT LEFT		8	
19	FT300. 39. 118	DRIVE SHAFT		1	
20	FT300. 39. 137	WASHER		8	

TB1S392010000K FINAL REDUCTION-RIGHT

LOWVOL
zn D20743



TB1S392010000K FINAL REDUCTION-RIGHT

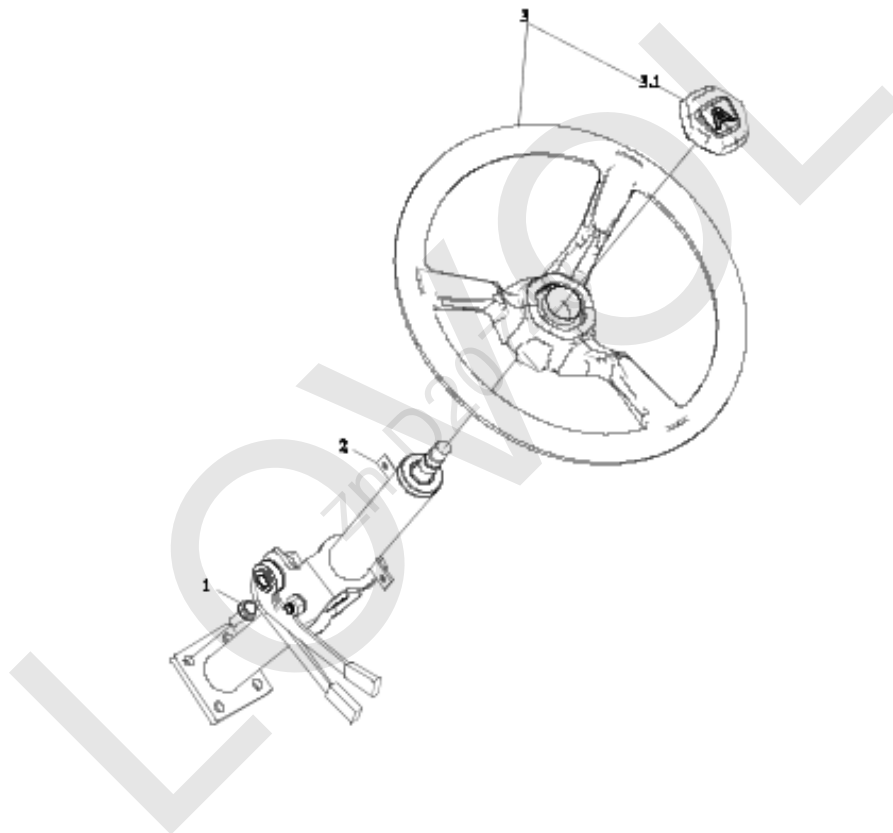
No.	Part No.	Description	Version	QTY.	Remark
	TB1S392010000K	RIGHT FINAL TRANSMISSION ASSEMBLY		1	
1	GBT6176-M16X1.5-10-A3L	HEXAGON NUT, TYPE-2		8	
2	FT300.39.137	WASHER		8	
3	FT300.39.118	DRIVE SHAFT		1	
4	FT300.39.135	REAR HUB BOLT		8	
5	GBT5783-M12X30-8.8-A3L	HEX HEAD BOLTS		4	
6	GBT93-12-A3L	STANDARD SPRING WASHER		4	
7	FT300.39.116	OIL SEAL SEAT		1	
8	TB450.391-02	FINAL TRANSMISSION GEAR RING		1	
9	GBT9877.1-FB70X95X10D	ROTARY SHAFT LIP SEAL WITH INNER FRAME		2	
10	GBT276-6212	DEEP GROOVE BALL BEARING		1	
11	TB1S392010001K	RIGHT DRIVING SHAFT HOUSING		1	
12	GBT276-6211	DEEP GROOVE BALL BEARING		1	
13	FT300.39.113	SPACER		1	
14	FT300.39.121	ADJUSTING WASHER		1	
15	FT300.39.122	ADJUSTING WASHER		1	
16	FT300.39.123	ADJUSTING WASHER		1	
17	TB450.391.1	FINAL TRANSMISSION PLANET BRACKET ASSEMBLY		1	
17.1	FT300.39.104	PLANET CARRIER		1	
17.2	FT300.39.111	RETAINER BLOCK		1	
17.3	QLWZB140-8X26	PIN		3	
17.4	FT300.39.105	NEEDLE INNER SPACER SLEEVE		3	
17.5	FT300.39.106	PLANET GEAR SHAFT		3	

TB1S392010000K FINAL REDUCTION-RIGHT (cont'd.)

No.	Part No.	Description	Version	QTY.	Remark
17.6	FT300.39.109	NEEDLE OUTER SPACER RING		6	
17.7	TB450.391.1-01	FINAL TRANSMISSION PLANET GEAR		3	
17.8	TB300.391.1.1	NEEDLE		6	
18	FT300.39.112	DRIVING SHAFT LOCK BOLT		1	
19	FT300.39.110	DRIVING SHAFT LOCK PIECE		1	
20	TB450.392-01	RIGHT FINAL TRANSMISSION HALF SHAFT		1	

TB3S401040000K STEERING PLATE AND STEERING PIPE COLUMN ASSEMBLY

LOWEOL
zn D20743

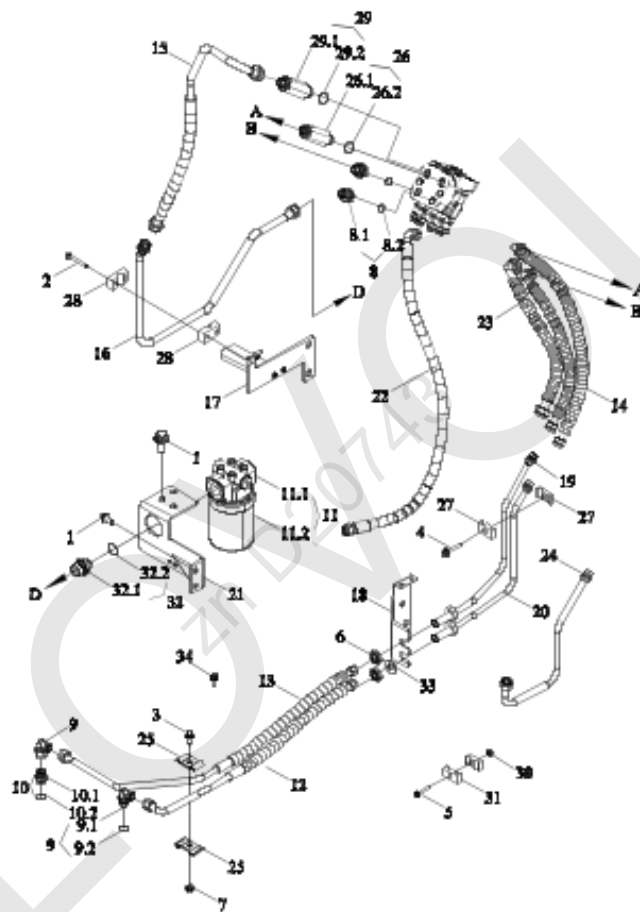


TB3S401040000K STEERING PLATE AND STEERING PIPE COLUMN ASSEMBLY

No.	Part No.	Description	Version	QTY.	Remark
	TB3S401040000K	STEERING PLATE AND STEERING PIPE COLUMN ASSEMBLY	001	1	
1	GBT16674. 1-M10X30-8. 8-A3L	HEX FLANGE BOLTS		4	
2	TS04401010002	STEERING PIPE COLUMN ASSEMBLY		1	
3	TB1S401020001K	STEERING WHEEL ASSEMBLY		1	
3.1	TB1S401020002K	COVER OF STEERING WHEEL		1	

TB1S40205000K STEERING PIPE ASSEMBLY

LOWLOL
zn D20743



TB1S402050000K STEERING PIPE ASSEMBLY

No.	Part No.	Description	Version	QTY.	Remark
	TB1S402050000K	FULL HYDRAULIC STEERING PIPE ASSEMBLY	002	1	
1	GBT16674. 1-M10X20-8. 8-A3L	HEX FLANGE BOLTS		5	
2	GBT16674. 1-M6X50-8. 8-A2L	HEX FLANGE BOLTS		2	
3	GBT16674. 1-M8X20-8. 8-A2L	HEX FLANGE BOLTS		1	
4	GBT16674. 1-M8X30-8. 8-A2L	HEX FLANGE BOLTS		1	
5	GBT16674. 1-M6X35-8. 8-A2L	HEX FLANGE BOLTS		1	
6	GBT6173-M16X1. 5-05-A3L	HEXAGON THIN NUT		2	
7	GBT6177. 1-M8-8-A2L	HEXAGON FLANGE NUT		1	
8	GE20D18. 24. 93. 5	END STRAIGHT THREAD CONNECTOR BODY		2	
8.1	GE20D18. 24. 93. 5-01	END STRAIGHT THREAD CONNECTOR BODY		1	
8.2	TS09580010007	O-RING 17. 3X2. 2-M20X1. 5		1	
9	GL06701050023	CONNECTING JOINT L12		2	
9.1	GBT3738-L12	JOINT		1	
9.2	TS09580010005	O-RING		1	
10	TB1S402050009K	STRAIGHT CONNECTOR		1	
10.1	TB1S402050010K	STRAIGHT CONNECTOR		1	
10.2	HF2901. 50. 4. 6-02	O-RING 17. 8X2. 4		1	
11	TB1S402010021K	FILTER ASSEMBLY		1	
11.1	TB1S402010025K	FILTER SEAT		1	
11.2	TB1S402010022K	FILTER ELEMENT		1	
12	TC02402660001K	RIGHT STEERING OIL PIPE ASSEMBLY		1	
13	TC02402660002K	LEFT STEERING OIL PIPE ASSEMBLY		1	
14	TB3S402050003K	OIL OUTLET PIPE ASSEMBLY		1	

TB1S402050000K STEERING PIPE ASSEMBLY (cont'd.)

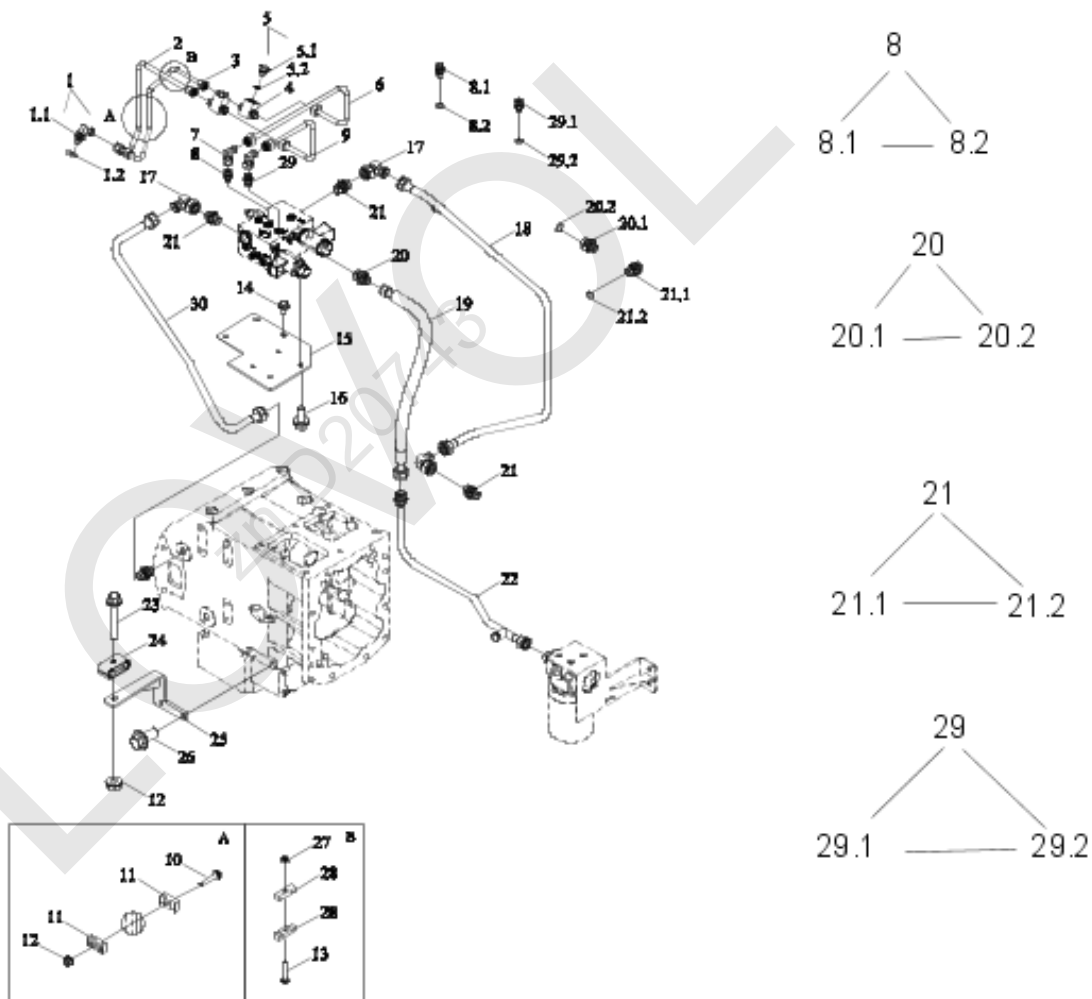
No.	Part No.	Description	Version	QTY.	Remark
15	TB3S402050005K	REDIRECTOR OIL RETURN PIPE ASSEMBLY		1	
16	TB3S402050007K	FILTER OIL INLET STEEL PIPE ASSEMBLY		1	
17	TB3S402050008K	BRACKET WELDMENT		1	
18	TB1S402050001K	OIL PIPE BRACKET		1	
19	TB1S402050004K	OIL OUTLET PIPE		1	
20	TB1S402050005K	OIL OUTLET PIPE		1	
21	TB3S402050013K	FILTER BRACKET WELDMENT		1	
22	TB1S402050011K	OIL INLET HOSE		1	
23	TB1S402050012K	OIL OUTLET PIPE ASSEMBLY		1	
24	TB1S402050003K	齿轮泵出油硬管		1	
25	TC02402200018K	OIL PIPE CLAMP		2	
26	TC04402080010	END STRAIGHT THREAD CONNECTOR BODY L12	002	1	
26.1	TC04402080011	END STRAIGHT THREAD CONNECTOR BODY		1	
26.2	TS09580010007	O-RING 17. 3X2. 2-M20X1. 5		1	
27	TB504. 402-07	DOUBLE HOLE PIPE CLAMP		2	
28	TH04402010061	SINGLE HOLE PIPE CLAMP 15		2	
29	TS08402040061	STRAIGHT THREAD JOINT		1	
29.1	TS08402040062	STRAIGHT THREAD JOINT 1		1	
29.2	TS09580010007	O-RING 17. 3X2. 2-M20X1. 5		1	
30	GBT6177. 1-M6-8-A2L	HEXAGON FLANGE NUT		2	
31	FT354. 40C. 121	DOUBLE PIPE CLAMP		2	
32	TY1S403010024K	STRAIGHT PIPE JOINT BODY M27X2-15		2	

TB1S402050000K STEERING PIPE ASSEMBLY (cont'd.)

No.	Part No.	Description	Version	QTY.	Remark
32.1	TY1S403010023K	STRAIGHT THROUGH PIPE JOINT		1	
32.2	TS09580010009	O-RING 23.6X2.9-M27X2		1	
33	GBT97.1-16-A3L	FLAT WASHERS		2	
34	GBT16674.1-M12X25-8.8-A3L	HEX FLANGE BOLTS		2	

LOWVOL
zn D20743

TB1S403080000K CONTROL PIPE ASSEMBLY (LOW PRESSURE) -1



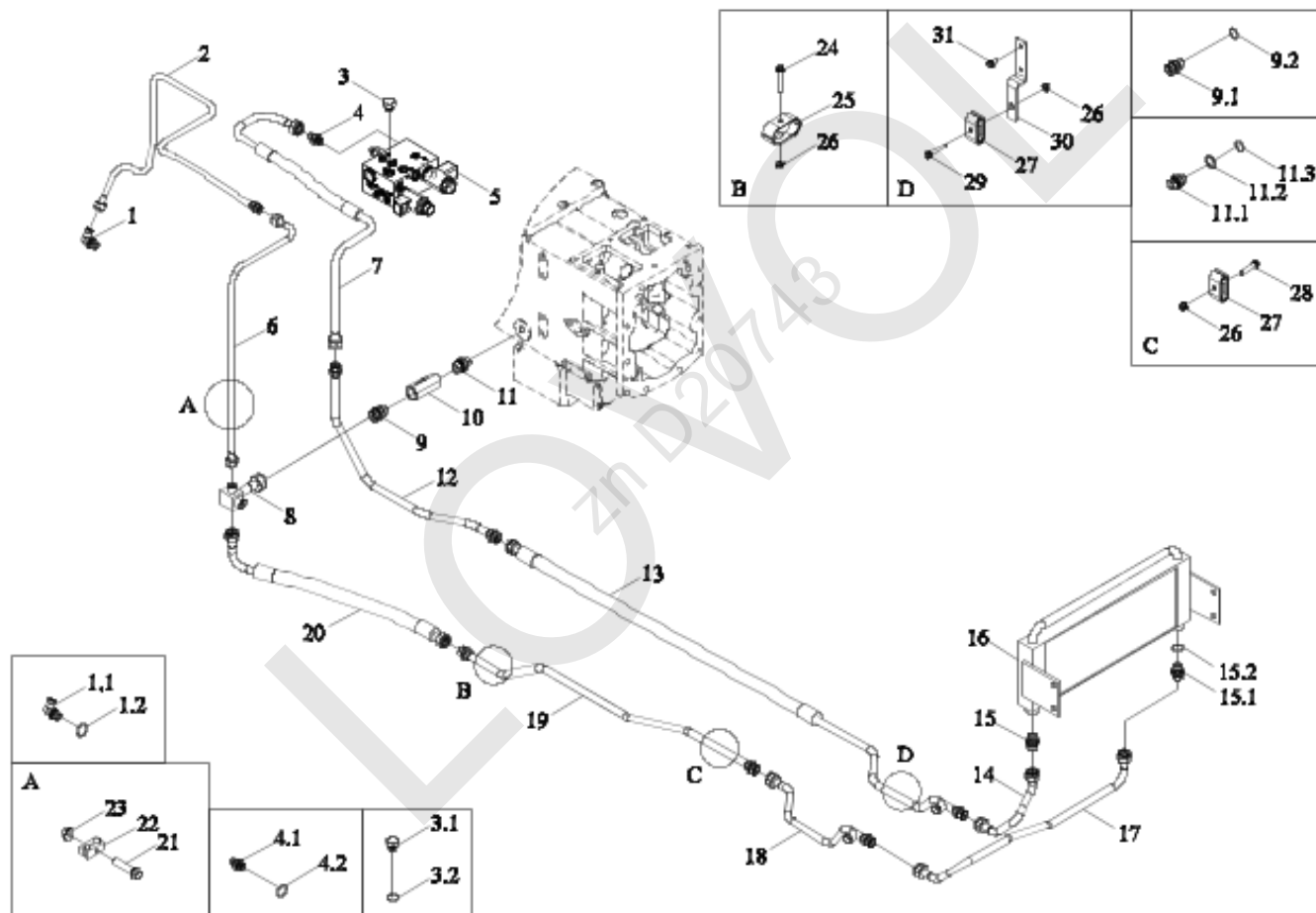
TB1S403080000K CONTROL PIPE ASSEMBLY (LOW PRESSURE) -1

No.	Part No.	Description	Version	QTY.	Remark
	TB1S403080000K	LOW PRESSURE CONTROL PIPE ASSEMBLY	002	1	
1	TB1S403010015K	ADJUSTABLE JOINT M12-8		2	
1.1	GBT3738-L8	JOINT		1	
1.2	TS09580010003	O-RING 9. 3X2. 2-M12X1. 5		1	
2	TB1S403010009bK	OIL CONVEYING PIPE ASSEMBLY B		1	
3	TB1S403010011bK	OIL CONVEYING PIPE ASSEMBLY A		1	
4	TK4030300400	STRAIGHT THREAD JOINT		2	
5	GV04701010035	SCREW PLUG M10X1		2	
5.1	GV04701010036	SCREW PLUG		1	
5.2	GV04701010037	SEAL GASKET		1	
6	TB1S403020005aK	OIL CONVEYING PIPE ASSEMBLY A		1	
7	GBT3754-L8	JOINT		2	
8	TH02372010099	END STRAIGHT THREAD CONNECTOR BODY		1	
8.1	GBT3733-L8	STRAIGHT THREAD JOINT		1	
8.2	TS09580010003	O-RING 9. 3X2. 2-M12X1. 5		1	
9	TB1S403020007aK	OIL CONVEYING PIPE ASSEMBLY B		1	
10	GBT16674. 1-M8X40-8. 8-A2L	HEX FLANGE BOLTS		3	
11	G25A. 30. 25-01	PIPE CLAMP		2	
12	GBT6177. 1-M8-8-A2L	HEXAGON FLANGE NUT		6	
13	GBT16674. 1-M6X40-8. 8-A2L	HEX FLANGE BOLTS		1	
14	GBT5789-M10X16-8. 8-A3L	HEX FLANGE BOLTS		1	
15	TB1S403020008K	ELEC. VALVE BRACKET		1	
16	GBT16674. 1-M8X16-8. 8-A2L	HEX FLANGE BOLTS		7	

TB1S40308000K CONTROL PIPE ASSEMBLY (LOW PRESSURE) -1 (cont'd.)

No.	Part No.	Description	Version	QTY.	Remark
17	GBT3754-L15	JOINT		3	
18	TB3S403010025K	CONTROL PIPE		1	
19	TB3S403010017K	ELEC. VALVE OIL INLET HOSE ASSEMBLY		1	
20	TS17402030059	STRAIGHT JOINT BODY		2	
20.1	GBT3733-L12	STRAIGHT THREAD JOINT		1	
20.2	TS09580010005	O-RING		1	
21	TS06582130048	END STRAIGHT THREAD CONNECTOR BODY		6	
21.1	GBT3733-L15	STRAIGHT THREAD JOINT		1	
21.2	TS09580010006	O-RING 15.3X2.2-M18X1.5		1	
22	TB3S403010014K	OIL INLET STEEL PIPE ASSEMBLY		1	
23	GBT16674.1-M8X45-8.8-A2L	HEX FLANGE BOLTS		2	
24	TB3S403010002K	OIL PIPE CLAMP AND RUBBER WASHER		8	
25	TB3S403010015K	OIL PIPE BRACKET2		1	
26	GBT16674.1-M10X20-8.8-A3L	HEX FLANGE BOLTS		2	
27	GBT6177.1-M6-8-A2L	HEXAGON FLANGE NUT		3	
28	TH02402010078	DOUBLE HOLE PIPE CLAMP		2	
29	GV01702010055	CONNECTING JOINT		1	
29.1	GV01702010069	JOINT BODY		1	
29.2	TS09580010004	O-RING		1	
30	TB3S403010001K	OIL RETURN STEEL PIPE ASSEMBLY		1	

TB1S40308000K CONTROL PIPE ASSEMBLY (LOW PRESSURE) -2



TB1S403080000K CONTROL PIPE ASSEMBLY (LOW PRESSURE) -2

No.	Part No.	Description	Version	QTY.	Remark
	TB1S403080000K	LOW PRESSURE CONTROL PIPE ASSEMBLY		1	
1	GL06701050023	CONNECTING JOINT L12		1	
1.1	GBT3738-L12	JOINT		1	
1.2	TS09580010005	O-RING		1	
2	TB3S403010024K	LUBE OIL LINE		1	
3	TS08581020021	OIL DISCHARGING SCREW PLUG		1	
3.1	FT65. 50. 226	OIL DRAIN PLUG		1	
3.2	TS09580010005	O-RING		1	
4	TS17402030059	STRAIGHT JOINT BODY		2	
4.1	GBT3733-L12	STRAIGHT THREAD JOINT		1	
4.2	TS09580010005	O-RING		1	
5	TB1S403020001K	CONTROL VALVE		1	
6	TB3S403010023K	OIL INLET PIPE		1	
7	TB3S403010022K	ELEC. VALVE OIL RETURN PIPE ASSEMBLY		1	
8	TB3S403010020K	ELEC. VALVE OIL RETURN PIPE ASSEMBLY		1	
9	TS08582080018	End straight joint combination 18E		1	
9.1	GBT3733-L18E	JOINT BODY		1	
9.2	GBT19674. 2-M22X1. 5E	E-ring seal		1	
10	TH02402010063	VALVE		1	
11	TB3S403010018K	END STRAIGHT THREAD CONNECTOR BODY		1	
11.1	TB3S403010019K	END STRAIGHT THREAD CONNECTOR BODY		1	
11.2	GBT19674. 2-M22X1. 5E	E-ring seal		1	
11.3	TS09580010006	O-RING 15. 3X2. 2-M18X1. 5		1	

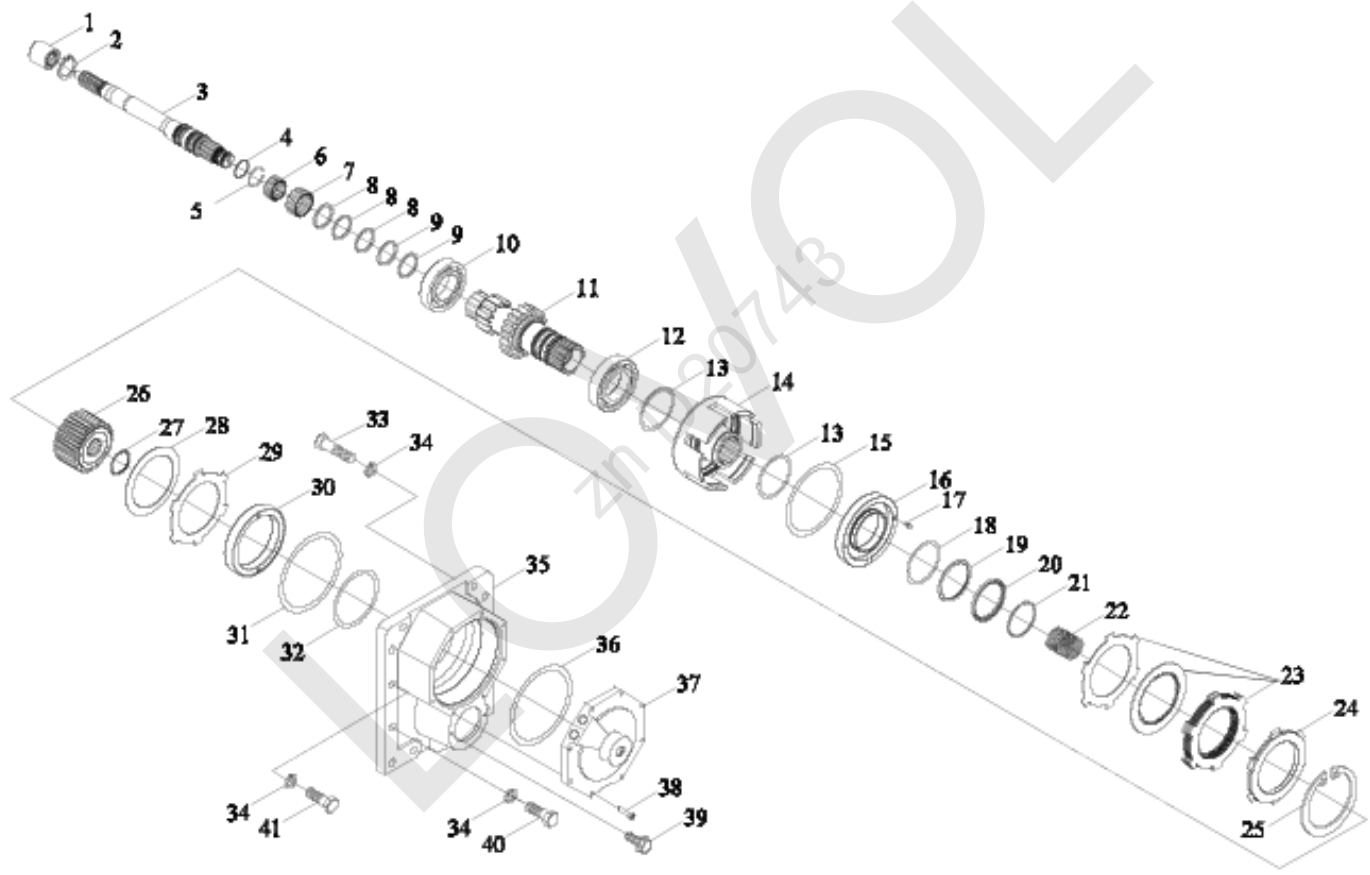
TB1S40308000K CONTROL PIPE ASSEMBLY (LOW PRESSURE) -2 (cont'd.)

No.	Part No.	Description	Version	QTY.	Remark
12	TB1S403080004K	OIL INLET PIPE		1	
13	TB1S403080005K	OIL INLET HOSE		1	
14	TB1S403080002K	OIL INLET PIPE		1	
15	TS06582130048	END STRAIGHT THREAD CONNECTOR BODY		6	
15.1	GBT3733-L15	STRAIGHT THREAD JOINT		1	
15.2	TS09580010006	O-RING 15.3X2.2-M18X1.5		1	
16	TB3S403010026K	HYDRAULIC OIL RADIATOR ASSEMBLY		1	
17	TB1S403080001K	OIL OUTLET PIPE		1	
18	TB1S403080008K	OIL OUTLET PIPE		1	
19	TB1S403080003K	Oil return pipe		1	
20	TB1S403080006K	OIL RETURN HOSE		1	
21	GBT16674.1-M6X35-8.8-A2L	HEX FLANGE BOLTS		2	
22	TB3S403010016K	NYLON CLIP		2	
23	GBT6177.1-M6-8-A2L	HEXAGON FLANGE NUT		3	
24	GBT16674.1-M8X55-8.8-A2L	HEX FLANGE BOLTS		1	
25	TS06581190013	OIL PIPE CLAMP AND RUBBER WASHER		2	
26	GBT6177.1-M8-8-A2L	HEXAGON FLANGE NUT		6	
27	TB3S403010002K	OIL PIPE CLAMP AND RUBBER WASHER		8	
28	GBT16674.1-M8X40-8.8-A2L	HEX FLANGE BOLTS		3	
29	GBT16674.1-M8X45-8.8-A2L	HEX FLANGE BOLTS		2	
30	TB1S403080007K	OIL PIPE BRACKET		1	
31	GBT16674.1-M8X16-8.8-A2L	HEX FLANGE BOLTS		7	

LOWLOL
zn D20743

LOWVOL
zn D20743

TB1S411010000K GEAR ASSEMBLY (PTO) -1



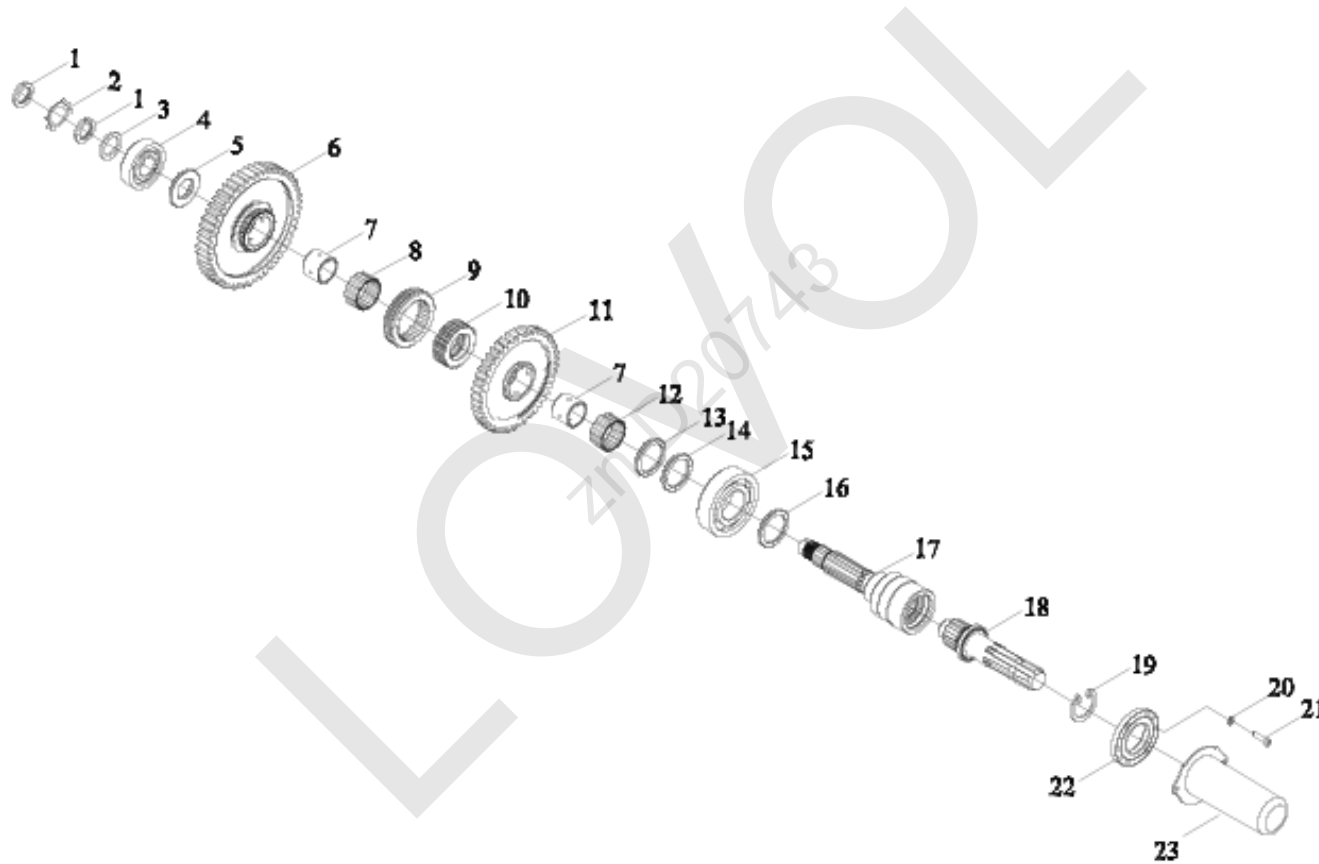
TB1S411010000K GEAR ASSEMBLY (PTO) -1

No.	Part No.	Description	Version	QTY.	Remark
	TB1S411010000K	PTO GEAR ASSEMBLY	004	1	
1	T000039598	CONNECTING SLEEVE		1	
2	B002064	RETAINING RING FOR SHAFT		1	
3	T000039663	TRANSMISSION SHAFT ASSEMBLY		1	
4	B000016356	WIRE RETAINER RING FOR HOLE		1	
5	T000039737	WASHER 25X30X1.5		1	
6	B000016352	NEEDLE AND CARRIER COMBINATION		1	
7	B000016516	NEEDLE AND CARRIER COMBINATION		1	
8	Q000178007	SEAL RING		3	
9	Q000178011	SEAL RING 24.95X2.26		2	
10	B004438	DEEP GROOVE BALL BEARING		1	
11	T000039643	GEAR SHAFT		1	
12	B001738	DEEP GROOVE BALL BEARING		1	
13	B006085	O-RING RUBBER SEAL FOR HYDRAULIC AND PNEUMATIC		2	
14	T000039649	CLUTCH BELL		1	
15	Q000178008	O RING 122.00X3.00-FKM		1	
16	T000039650	PISTON ASSEMBLY		1	
17	Q000178013	RUBBER MAT		12	
18	T000039670	O RING 58.42X2.62-NBR		1	
19	T000039661	WASHER 60.5X71X2.0		1	
20	T000039662	CIRCLIP FOR SHAFT 60X2		1	
21	T000039660	SPRING SEAT		1	

TB1S411010000K GEAR ASSEMBLY (PTO)-1 (cont'd.)

No.	Part No.	Description	Version	QTY.	Remark
22	T000039659	SPRING		1	
23	T000039664	MIDDLE FRICTION PIECE		1	
24	T000039651	COUNTER PLATE		1	
25	T000039657	CIRCLIPS FOR HOLE 124X2. 5		1	
26	T000039652	HUB		1	
27	B000014188	RETAINING RING FOR SHAFT		1	
28	T000039654	BELLEVILLE SPRING-DE132-DI96-L03. 5		1	
29	T000039658	CLUTCH BRAKE DISC		1	
30	T000039653	The piston II		1	
31	T000039668	O RING 118X2. 62-NBR		1	
32	T000039669	O RING 88. 57X2. 62-NBR		1	
33	B000014681	HEX HEAD BOLTS		1	
34	B004307	STANDARD SPRING WASHER		13	
35	T000039655	PTO HOUSING		1	
36	T000039667	O RING 148X2. 2-NBR		1	
37	T000039656	PTO END COVER		1	
38	B000016518	HEXAGON SOCKET HEAD CAP SCREW		8	
39	B007340	HEX FLANGE BOLTS		2	
40	B004242	HEX HEAD BOLTS		8	
41	B004905	HEX HEAD BOLTS		4	

TB1S411010000K GEAR ASSEMBLY (PTO) -2



TB1S411010000K GEAR ASSEMBLY (PTO) -2

No.	Part No.	Description	Version	QTY.	Remark
	T000041816	PTO GEAR ASSEMBLY		1	
1	Q000178010	ROUND NUT		2	
2	B003004	TAB WASHER FOR ROUND NUT		1	
3	T003236	WASHER		1	
4	B002474	DEEP GROOVE BALL BEARING		1	
5	T000039666	WASHER 30X58X6		1	
6	T000039665	PTO LOW GEAR DRIVEN GEAR		1	
7	T000039645	SLEEVE 34X42X31		1	
8	B000016353	NEEDLE AND CARRIER COMBINATION		1	
9	T003099	PTO SHIFT COLLAR		1	
10	T003265	PTO MESHING SEAT		1	
11	T000039644	PTO HIGH GEAR DRIVEN GEAR		1	
12	T000039671	ROLLER NEEDLE BEARING K40X46X28		1	
13	T003268	REAR RETAINER RING		1	
14	T003269	THRUST RING		1	
15	B001514	DEEP GROOVE BALL BEARING		1	
16	Q000177115	OIL SEAL 70X85X8		1	
17	T000039646	OUTPUT TRANSMISSION SHAFT		1	
18	T000039647	PTO SHAFT		1	
19	Q000178009	SPRING RETAINER RING 55X3		1	
20	B007485	STANDARD SPRING WASHER		6	
21	B000016517	HEXAGON SOCKET HEAD CAP SCREW		6	

TB1S411010000K GEAR ASSEMBLY (PTO)-2 (cont'd.)

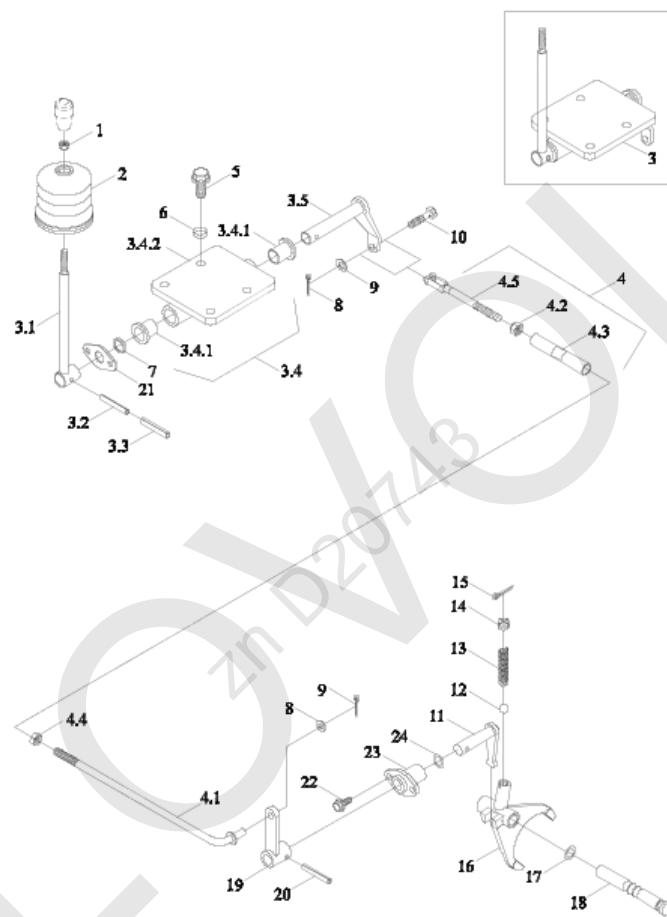
No.	Part No.	Description	Version	QTY.	Remark
22	Q000178012	PLUG COVER		1	
23	T000039648	PTO SHAFT HOOD SHIELD		1	

LOWELOW
zn D20743

LOWVOL
zn D20743

TB1S413010000K CONTROL ASSEMBLY (PTO)

LOWVOLT
zn D20743



TB1S413010000K CONTROL ASSEMBLY (PTO)

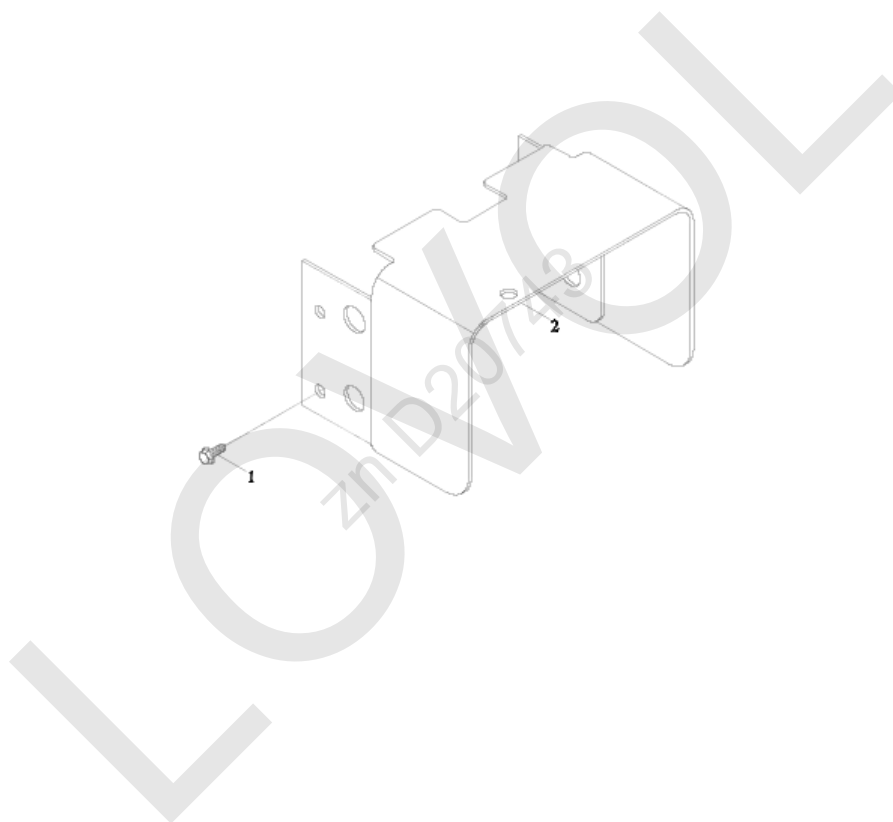
No.	Part No.	Description	Version	QTY.	Remark
	TB1S413010000K	PTO CONTROL ASSEMBLY		1	
1	GBT6177. 1-M10-8-A3L	HEXAGON FLANGE NUT		1	
2	TB704. 413A-02	DUSTPROOF RING		1	
3	TS04413030007	PTO CONTROL ROD		1	
3.1	TB504. 413A. 2	PTO GEARSHIFT CONTROL ROD WELDMENT		1	
3.2	GBT879. 1-6X32	SPRING COLUMN PIN		1	
3.3	GBT879. 1-3. 5X32	SPRING COLUMN PIN		1	
3.4	TS04413010003	SUPPORT SEAT		1	b
3.4.1	TB480. 413A. 1-01	NYLON BUSH		2	
3.4.2	TS04413010007	SUPPORT SEAT WELDMENT		1	
3.5	TS04413030001	CONTROL ROCKER WELDMENT		1	
4	TS04413010017	PTO CONTROL ROD		1	
4.1	TS04413010005	MIDDLE PULL ROD WELDMENT		1	
4.2	GBT6171-M10X1-LH-8-A2L	HEXAGON NUT, TYPE-1		1	
4.3	FT800A. 21. 353	MIDDLE ROD		1	
4.4	GBT6171-M10X1-8-A2L	HEXAGON NUT, TYPE-1		1	
4.5	TB504. 413A. 5	PULL ROD WELDMENT		1	
5	GBT16674. 1-M8X12-8. 8-A2L	HEXAGON FLANGE NUT		4	
6	GBT93-8-A3L	STANDARD SPRING WASHER		2	
7	TS04413010018	OIL SEAL FB16X26X7D		1	
8	GBT91-3. 2X16-A3L	SPLIT PIN		2	
9	GBT97. 1-10-A3L	FLAT WASHER		2	
10	GBT882-B10X30-A3L	PIN SHAFT		1	

TB1S413010000K CONTROL ASSEMBLY (PTO) (cont'd.)

No.	Part No.	Description	Version	QTY.	Remark
11	TB550. 413-04	LEVER		1	
12	GBT308-9. 5-G100-b	STEEL BALL		1	
13	FT704. 42B. 163	FORK SHAFT LOCATING SPRING		1	
14	TB550. 413-03	SCREW		1	
15	GBT91-2. 5X32-A3L	SPLIT PIN		1	
16	TB1S413010002K	OPERATION FORK OF PTO		1	
17	GBT3452. 1-11. 2X2. 65G	RUBBER O-SEAL RING		1	
18	TB1S413010001K	PTO FORK SHAFT		1	
19	TB704. 413B. 1a	ROCKER WELDMENT		1	
20	QLWZB140-6X26	PIN		1	
21	TS04413010019	RETAINERPIECE		1	
22	GBT70. 1-M8X25-8. 8-A2L	INNER HEXAGON SCREW		2	
23	FT300. 41E. 109a	LEVER SHAFT SLEEVE		1	
24	GBT3452. 1-16. 0X1. 80G	RUBBER O-SEAL RING		1	

TB1S414010000K SHIELD (PT0)

LOWVOLT
zn D20743

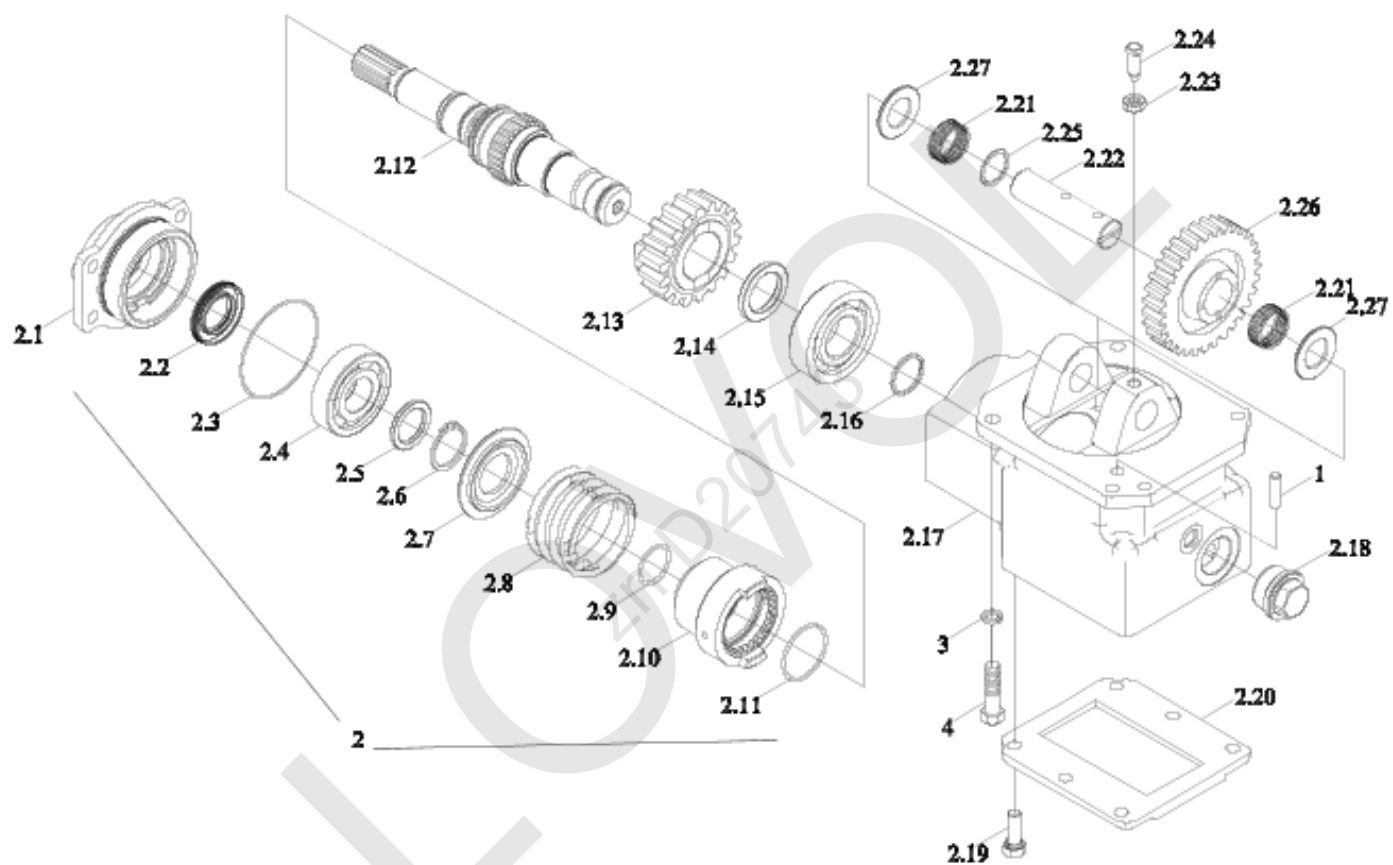


TB1S414010000K SHIELD (PTO)

No.	Part No.	Description	Version	QTY.	Remark
	TB1S414010000K	PTO BONNET ASSEMBLY		1	
1	GBT16674. 1-M12X25-10. 9-A3L	HEXAGON FLANGE NUT		4	
2	TB1S414010001K	PTO BONNET WELDMENT		1	

TB1S421010000K DROP GEAR BOX

LOWVOL
zn D20743



TB1S421010000K DROP GEAR BOX

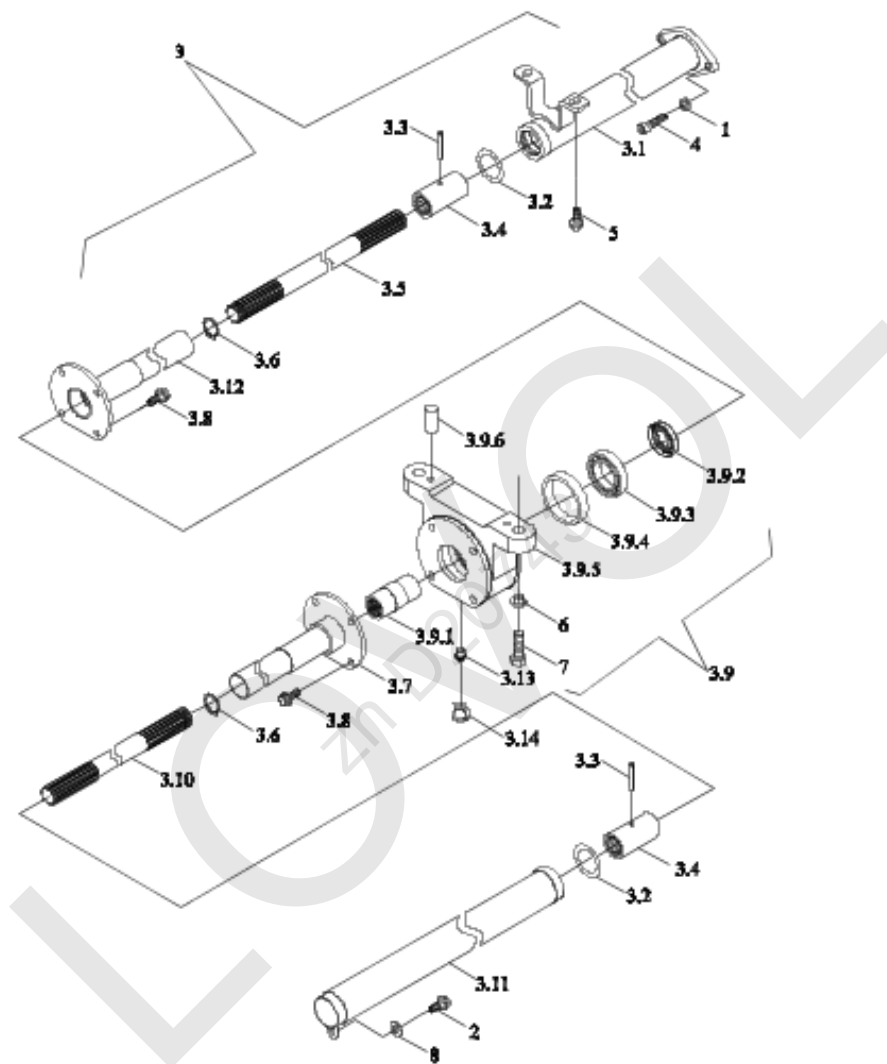
No.	Part No.	Description	Version	QTY.	Remark
	TB1S421010000K	TRANSFER CASE ASSEMBLY	1	1	
1	GBT119. 1-10m6X20-A3L	CYLINDRICAL PIN		2	
2	TB1S421010001K	TRANSFER CASE ASSEMBLY		1	
2.1	TB1S421010005K	BEARING END COVER		1	
2.2	GBT9877. 1-FB30X52X7D	ROTARY SHAFT LIP SEAL WITH INNER FRAME		1	
2.3	GBT3452. 1-80. 0X2. 65G	O-RING RUBBER SEAL FOR HYDRAULIC AND PNEUMATIC		1	
2.4	GBT276-6306	DEEP GROOVE BALL BEARING		1	
2.5	TB1S421010003K	BUSHING		1	
2.6	TB1S421010017K	RETAINER RING 35X2. 5		1	
2.7	TB1S421010011K	SPRING SEAT		1	
2.8	TB1S421010013K	SPRING		1	
2.9	TB1S421010018K	O RING		1	
2.10	TB1S421010012K	JAW BUSH		1	
2.11	TB1S421010019K	O RING		1	
2.12	TB1S421010010K	TRANSFER CASE OUTPUT SHAFT		1	
2.13	TB1S421010009K	DRIVEN WHEEL		1	
2.14	TB1S421010004K	BUSHING		1	
2.15	GBT276-6307	DEEP GROOVE BALL BEARING		1	
2.16	TH09411010021	SEAL RING		1	
2.17	TB1S421010008K	CASE		1	
2.18	TB1S421010016K	OIL DRAIN PLUG ASSEMBLY		1	
2.19	GBT5783-M10X25-8. 8-A3L	HEX HEAD BOLTS		10	

TB1S421010000K DROP GEAR BOX (cont'd.)

No.	Part No.	Description	Version	QTY.	Remark
2. 20	TB1S421010007K	COVER		1	
2. 21	GBT20056-K25X31X20	NEEDLE AND CARRIER COMBINATION		2	
2. 22	TB554. 421B. 1-05	IDLER SHAFT		1	
2. 23	GBT6173-M10X1-05-A2L	HEXAGON THIN NUT		1	
2. 24	FT304. 42. 112	THRUST SCREW		1	
2. 25	FT304. 42. 126	NEEDLE INNER SPACER SLEEVE		1	
2. 26	TB1S421010006K	IDLER		1	
2. 27	FT304. 42F. 103	THRUST RING		2	
3	GBT93-10-A3L	STANDARD SPRING WASHER		4	
4	GBT5783-M10X30-8. 8-A3L	HEX HEAD BOLTS		4	

TB1S422020000K DRIVE ASSEMBLY (DROP GEAR BOX)

LOWVOL
zn D20743



TB1S422020000K DRIVE ASSEMBLY (DROP GEAR BOX)

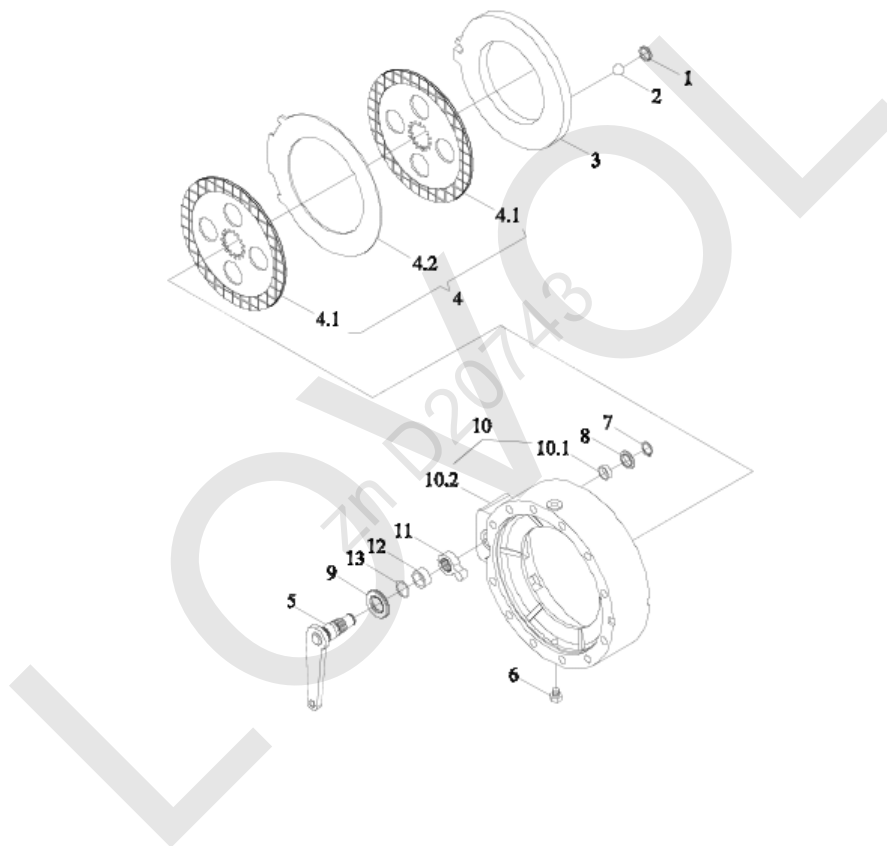
No.	Part No.	Description	Version	QTY.	Remark
	TB1S422020000K	TRANSFER CASE TRANSMISSION ASSEMBLY	002	1	
1	GBT93-8-A3L	STANDARD SPRING WASHER		2	
2	GBT16674.1-M8X16-8.8-A2L	HEX FLANGE BOLTS		1	
3	TB1S422020001K	TRANSMISSION SHAFT ASSEMBLY		1	
3.1	TB1S422010002K	GUARD SLEEVE WELDMENT 1		1	
3.2	GBT3452.1-34.5X3.55G	O-RING RUBBER SEAL FOR HYDRAULIC AND PNEUMATIC		2	
3.3	GBT879.1-6X35	ELASTIC CYLINDRICAL PIN		2	
3.4	FT304.42.107a	SPLINE BUSH		2	
3.5	TB1S422010004K	REAR TRANSMISSION SHAFT		1	
3.6	GBT894.1-26	RETAINING RING FOR SHAFT		2	
3.7	FT304.42X.017	GUARD SLEEVE WELDMENT 2		1	
3.8	GBT16674.1-M8X20-8.8-A2L	HEX FLANGE BOLTS		8	
3.9	TB554.422.1a	MIDDLE BEARING SEAT ASSEMBLY		1	
3.9.1	FT304.42X.135a	MIDDLE SPLINE BUSH		1	
3.9.2	GBT9877.1-FB35X52X8B	ROTARY SHAFT LIP SEAL WITH INNER FRAME		2	
3.9.3	GBT276-6007	DEEP GROOVE BALL BEARING		1	
3.9.4	FT304.42X.137	RUBBER BAND		1	
3.9.5	FT304.42X.138a	MIDDLE BEARING SEAT		1	
3.9.6	GBT119.1-8m6X20-A3L	CYLINDRICAL PIN		2	
3.10	FT404.42.139	FRONT TRANSMISSION SHAFT		1	
3.11	TB1S422020002K	GUARD SLEEVE WELDMENT 3		1	
3.12	TS04422010009	GUARD SLEEVE WELDMENT		1	

TB1S422020000K DRIVE ASSEMBLY (DROP GEAR BOX) (cont'd.)

No.	Part No.	Description	Version	QTY.	Remark
3. 13	JBT7940. 1-M10X1	STRAIGHT-THROUGH PRESSURE OIL CUP		1	
3. 14	TD800. 311C. 1-01	DUSTPROOF CAP OF OIL CUP		1	
4	GBT70. 1-M8X20-8. 8-A2L	HEXAGON SOCKET HEAD CAP SCREW		2	
5	GBT16674. 1-M10X20-8. 8-A3L	HEX FLANGE BOLTS		2	
6	GBT93-12-A3L	STANDARD SPRING WASHER		2	
7	GBT5783-M12X40-8. 8-A3L	HEX HEAD BOLTS		2	
8	GBT97. 1-8-A3L	FLAT WASHERS		1	

TB1S431010000K BRAKE ASSEMBLY-LEFT

LOWVOL
zn D20743

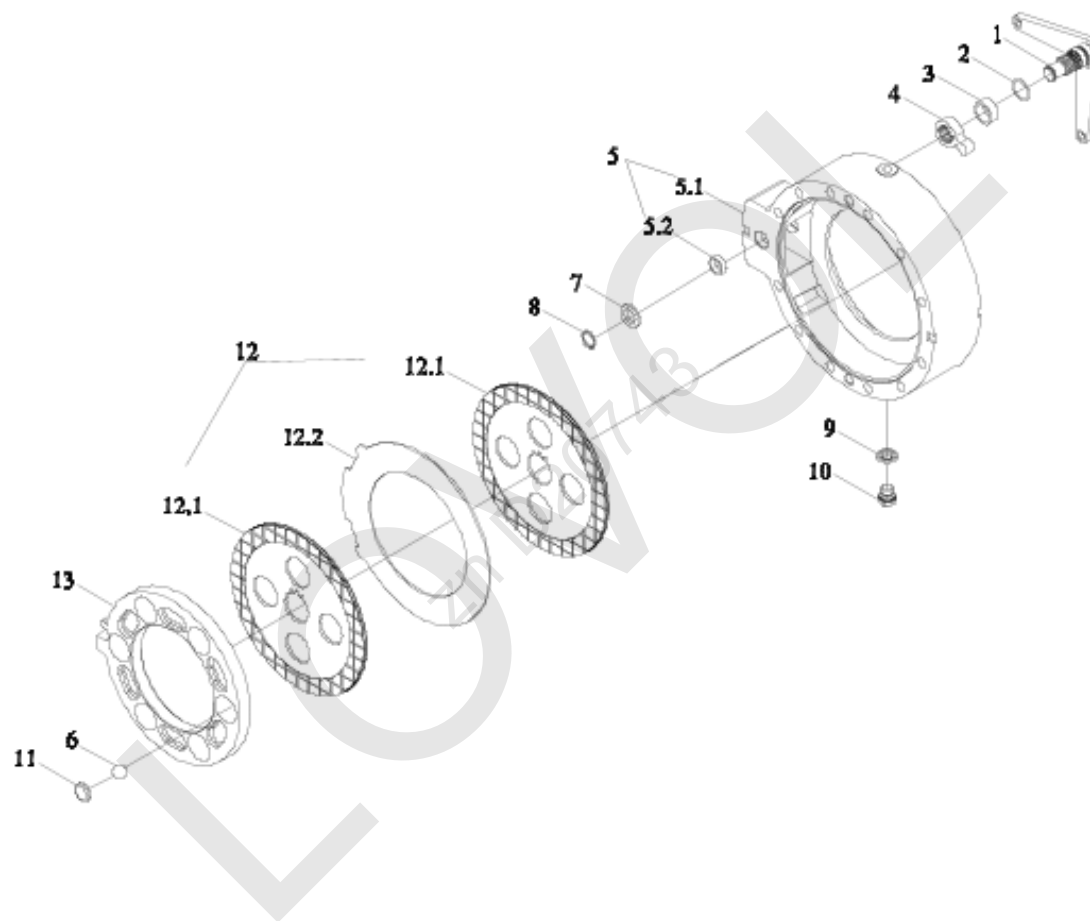


TB1S431010000K BRAKE ASSEMBLY-LEFT

No.	Part No.	Description	Version	QTY.	Remark
	TB1S431010000K	LEFT BRAKE ASSEMBLY	001	1	
1	FT300. 43. 102	BOWL PLUG		6	
2	GBT308-18-G100-b	STEEL BALL		6	
3	TB1S431010002K	LEFT BRAKE PRESSURE PLATE		1	
4	TB1S431010004K	SPACER PLATE		1	
4.1	TB1S431010006K	FRICTION PIECE ASSEMBLY		3	
4.2	TB1S431010005K	BULKHEAD		2	
5	TB504. 431B. 1a	LEFT CRANK UNIT		1	
6	GBT2878. 4-M12-PLRH-A3L-NBR	PLUG		1	
7	GBT894. 1-18	RETAINING RING FOR SHAFT		1	
8	FT300. 43. 109b	WASHER		1	
9	FT300. 43. 141	FRAMEWORK OIL SEAL		1	
10	TB1S431010003K	LEFT BRAKE HOUSING		1	
10.1	FT300. 43. 114	CRANK SHAFT BUSH		1	
10.2	TB1S431010001K	LEFT BRAKE HOUSING		1	
11	FT300. 43. 106	FLOPPY PAD		1	
12	FT300. 43. 107	SPACER		1	
13	GBT3452. 1-20. 0X2. 65G	O-RING RUBBER SEAL FOR HYDRAULIC AND PNEUMATIC		1	

TB1S432010000K BRAKE ASSEMBLY-RIGHT

LOWEOL
zn D20743

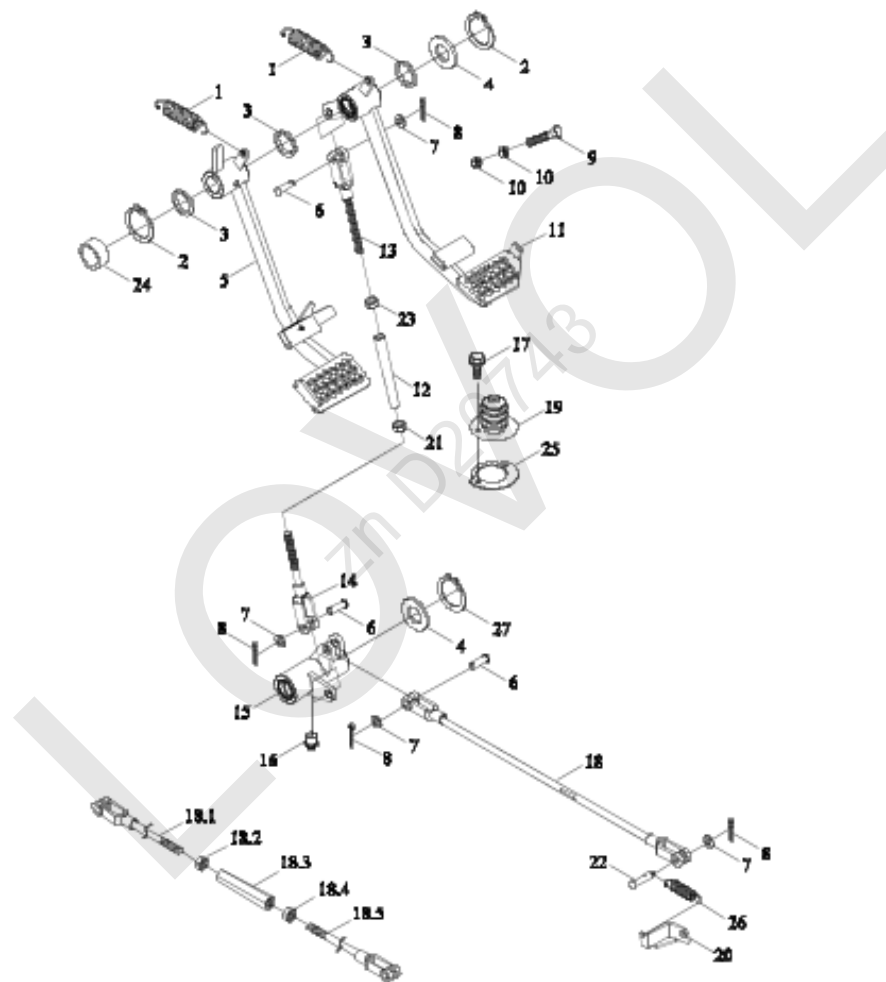


TB1S43201000K BRAKE ASSEMBLY-RIGHT

No.	Part No.	Description	Version	QTY.	Remark
	TB1S43201000K	RIGHT BRAKE ASSEMBLY	002	1	
1	TB504. 432B. 1a	RIGHT CRANK UNIT		1	
2	GBT3452. 1-20. 0X2. 65G	O-RING RUBBER SEAL FOR HYDRAULIC AND PNEUMATIC		1	
3	FT300. 43. 107	SPACER		1	
4	FT300. 43. 106	FLOPPY PAD		1	
5	TB1S432010003K	RIGHT BRAKE HOUSING		1	
5.1	TB1S432010001K	RIGHT BRAKE HOUSING		1	
5.2	FT300. 43. 114	CRANK SHAFT BUSH		1	
6	GBT308-18-G100-b	STEEL BALL		6	
7	FT300. 43. 109b	WASHER		1	
8	GBT894. 1-18	RETAINING RING FOR SHAFT		1	
9	FT300. 43. 141	FRAMEWORK OIL SEAL		1	
10	GBT2878. 4-M12-PLH-A3L-NBR	PLUG		1	
11	FT300. 43. 102	BOWL PLUG		6	
12	TB1S431010004K	SPACER PLATE		1	
12.1	TB1S431010006K	FRICITION PIECE ASSEMBLY		3	
12.2	TB1S431010005K	BULKHEAD		2	
13	TB1S432010002K	RIGHT BRAKE PLATEN		1	

LOWVOL
zn D20743

TB1S433050000K CONTROL MECHANISM ASSEMBLY (BRAKE) -1



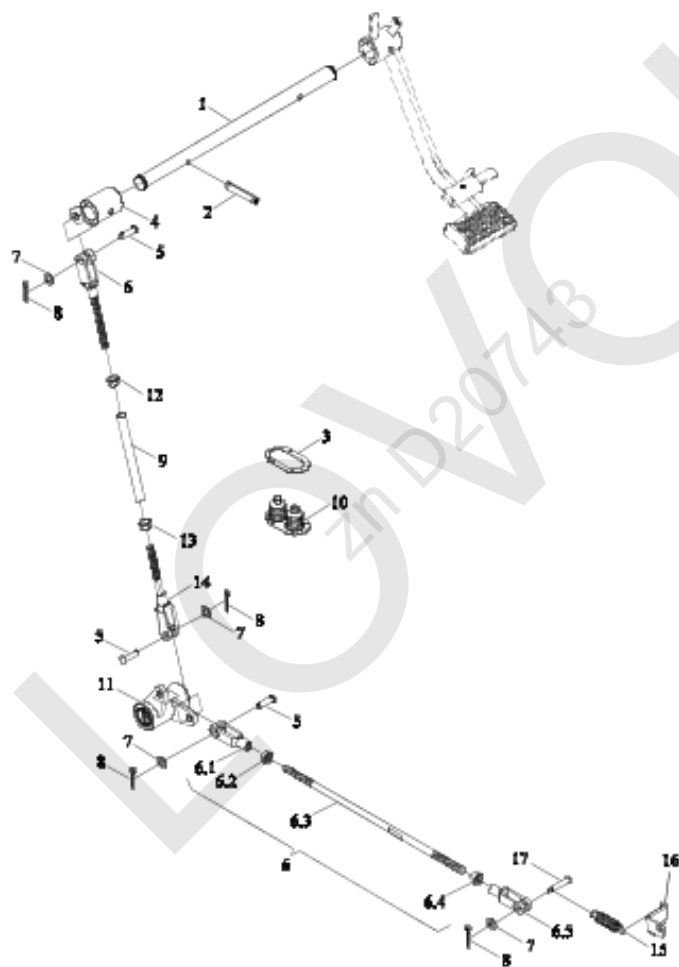
TB1S433050000K CONTROL MECHANISM ASSEMBLY (BRAKE) -1

No.	Part No.	Description	Version	QTY.	Remark
	TB1S433050000K	BRAKE CONTROL MECHANISM ASSEMBLY	001	1	
1	TD800. 43-01	PEDAL RETURN SPRING		2	
2	GBT894. 1-25	RETAINING RING FOR SHAFT		1	
3	GBT97. 1-24-A3L	FLAT WASHERS		2	
4	TE250. 433C-02	GASKET		6	
5	TB3S433030007K	LEFT BRAKE PEDAL UNIT		1	
6	GBT882-B10X30-A3L	PIN		8	
7	GBT97. 1-10-A3L	FLAT WASHERS		10	
8	GBT91-3. 2X32-A3L	COTTER PIN		10	
9	GBT5783-M10X45-8. 8-A3L	HEX HEAD BOLTS		2	
10	GBT6170-M10-8-A3L	TYPE 1 HEX NUT		4	
11	TB3S433030010K	RIGHT BRAKE PEDAL UNIT		1	
12	TE354. 433-03	CONNECTING ROD		2	
13	TB604. 212A. 5	UPPER PULL ROD WELDMENT		2	
14	TB604. 433E. 10	LOWER PULL ROD WELDMENT		2	
15	TB604. 433E. 5	ROCKER UNIT HUB		1	
16	JBT7940. 1-M8X1	STRAIGHT-THROUGH PRESSURE OIL CUP		3	
17	GBT16674. 1-M5X12-8. 8-A2L	HEX FLANGE BOLTS		5	
18	TS04433010030	BRAKE PULL ROD		2	
18. 1	FT300. 43. 110	PULL ROD REAR FORK		1	
18. 2	GBT6170-M10-LH-8-A3L	TYPE 1 HEX NUT		1	
18. 3	TB604. 433E-03	LOWER PULL ROD		1	
18. 4	GBT6171-M10X1-8-A2L	TYPE 1 HEX NUT		1	

TB1S433050000K CONTROL MECHANISM ASSEMBLY (BRAKE) -1 (cont'd.)

No.	Part No.	Description	Version	QTY.	Remark
18.5	TA700.431A-01	DEXTROROTATION LONG HOLE CONNECT FORK		1	
19	TB3S433010008	DUSTPROOF SLEEVE		1	
20	TB704.433.5	RIGHT RETURN SPRING CONNECTING PLATE WELDMENT		1	
21	GBT6171-M12X1.5-8-A3L	TYPE 1 HEX NUT		2	
22	TB704.433-04	CONNECTING PIN		2	
23	GBT6171-M12X1.5-LH-8-A3L	TYPE 1 HEX NUT		2	
24	TS04433010011	SPACER BUSH		1	
25	TB3S433040001a	SEAL SLEEVE PRESSURE PLATE		1	
26	TE250.212D-05	CLUTCH PEDAL RETURN SPRING		2	
27	GBT894.1-24	RETAINING RING FOR SHAFT		1	

TB1S433050000K CONTROL MECHANISM ASSEMBLY (BRAKE) -2



TB1S433050000K CONTROL MECHANISM ASSEMBLY (BRAKE) -2

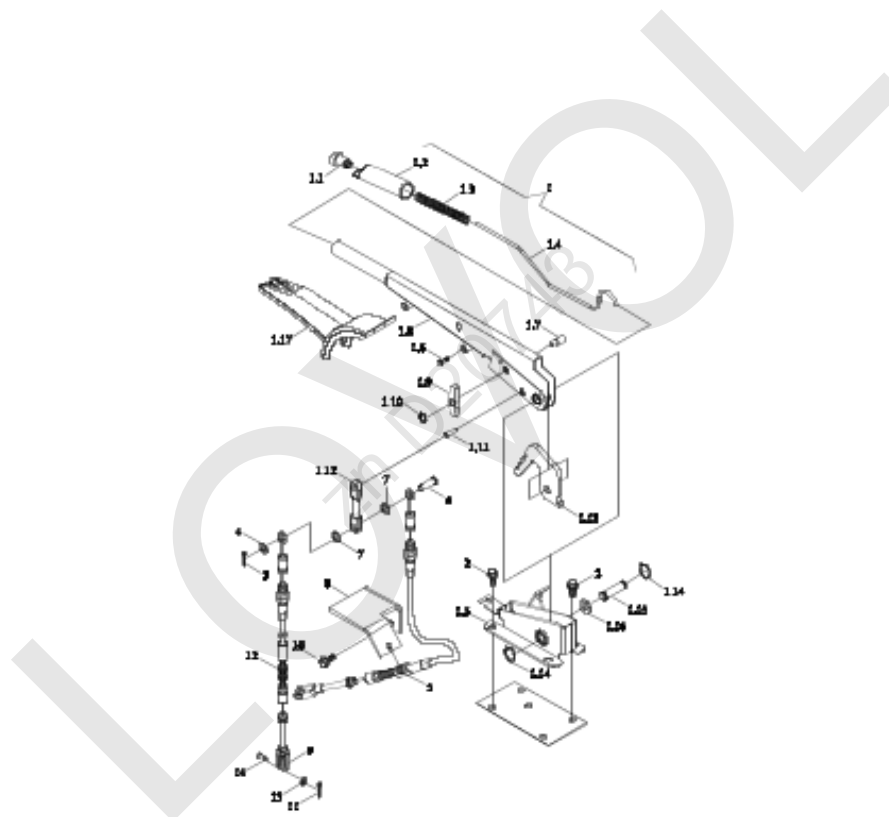
No.	Part No.	Description	Version	QTY.	Remark
	TB1S433050000K	BRAKE CONTROL MECHANISM ASSEMBLY		1	
1	TB604. 433E-01	SUPPORT SHAFT		1	
2	GBT879. 3-8X45	ELASTIC CYLINDRICAL PIN		2	
3	TB3S433010011a	PRESSURE PLATE		1	
4	TB604. 433E. 3	LEFT DRAW ARM WELDMENT		1	
5	GBT882-B10X30-A3L	PIN		8	
6	TS04433010030	BRAKE PULL ROD		2	
6.1	FT300. 43. 110	PULL ROD REAR FORK		1	
6.2	GBT6170-M10-LH-8-A3L	TYPE 1 HEX NUT		1	
6.3	TB604. 433E-03	LOWER PULL ROD		1	
6.4	TA700. 431A-01	DEXTROROTATION LONG HOLE CONNECT FORK		1	
6.5	GBT6171-M10X1-8-A2L	TYPE 1 HEX NUT		1	
7	GBT97. 1-10-A3L	FLAT WASHERS		10	
8	GBT91-3. 2X32-A3L	COTTER PIN		10	
9	TE354. 433-03	CONNECTING ROD		2	
10	TB3S433010010	DUST COVER		1	
11	TB604. 433E. 4	ROCKER UNIT HUB		1	
12	GBT6171-M12X1. 5-8-A3L	TYPE 1 HEX NUT		2	
13	GBT6171-M12X1. 5-LH-8-A3L	TYPE 1 HEX NUT		2	
14	TB604. 212A. 5	UPPER PULL ROD WELDMENT		2	
15	TE250. 212D-05	CLUTCH PEDAL RETURN SPRING		2	

TB1S433050000K CONTROL MECHANISM ASSEMBLY (BRAKE) -2 (cont'd.)

No.	Part No.	Description	Version	QTY.	Remark
16	TB704. 433. 6	LEFT RETURN SPRING CONNECTING PLATE WELDMENT		1	
17	TB704. 433-04	CONNECTING PIN		2	

LOWVOL
zn D20743

TB1S433050000K CONTROL MECHANISM ASSEMBLY (BRAKE) -3



TB1S433050000K CONTROL MECHANISM ASSEMBLY (BRAKE) -3

No.	Part No.	Description	Version	QTY.	Remark
	TB1S433050000K	BRAKE CONTROL MECHANISM ASSEMBLY		1	
1	TB1S433030001K	HAND BRAKE CONTROLLING HANDLE ASSEMBLY		1	
1.1	TS04433020009	BUTTON ASSEMBLY		1	
1.2	TS04433020008	SLEEVE		1	
1.3	FT800. 43. 180	SPRING		1	
1.4	FT800A. 21. 315	TOP ROD		1	
1.5	TB1S433020003K	FIXING SEAT WELDMENT		1	
1.6	GBT68-M4X10-4. 8-A2L	SLOTTED SCREW		4	
1.7	FT800A. 21. 322	SMALL PIN SHAFT		1	
1.8	TB1S433020002K	CONTROLLING HANDLE ASSEMBLY		1	
1.9	FT800A. 21. 314	PAWL		1	
1.10	GBT894. 1-6	RETAINING RING FOR SHAFT		1	
1.11	FT800A. 21. 323	PIN		1	
1.12	TB1S433010002K	SHORT PULL ROD		1	
1.13	FT800A. 43. 310	RATCHET WHEEL		1	
1.14	GBT894. 1-14	RETAINING RING FOR SHAFT		2	
1.15	FT800A. 21. 321	PIN		1	
1.16	TS06212010009	WASHER		2	
1.17	TS04433020010	BONNET		1	
2	GBT16674. 1-M8X20-8. 8-A2L	HEX FLANGE BOLTS		4	
3	GBT91-2X25-A3L	COTTER PIN		1	
4	GBT97. 1-8-A3L	FLAT WASHERS		1	
5	TB1S433010013K	RIGHT BRAKE PULL WIRE ASSEMBLY		1	

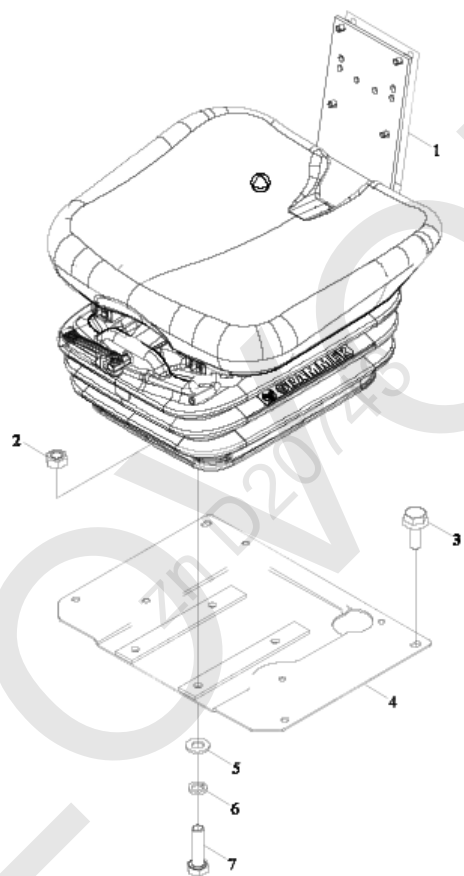
TB1S433050000K CONTROL MECHANISM ASSEMBLY (BRAKE) -3 (cont'd.)

No.	Part No.	Description	Version	QTY.	Remark
6	GBT882-B8X40-A3L	PIN		1	
7	TB604.433E-04	SMALL RETAINER RING		2	
8	TB1S433010004K	LEFT PULL WIRE SUPPORT SEAT WELDMENT		1	
9	TA700.431A-01	DEXTROROTATION LONG HOLE CONNECT FORK		2	
10	GBT16674.1-M10X20-8.8-A3L	HEX FLANGE BOLTS		2	
11	GBT91-3.2X32-A3L	COTTER PIN		10	
12	TB1S433010012K	LEFT BRAKE WIRE ASSEMBLY		1	
13	GBT97.1-10-A3L	FLAT WASHERS		10	
14	GBT882-B10X30-A3L	PIN		8	

LOWVOL
zn D20743

TB1S440010000K SEAT MOUNTING ASSEMBLY

LOWVOLT
zn D20743

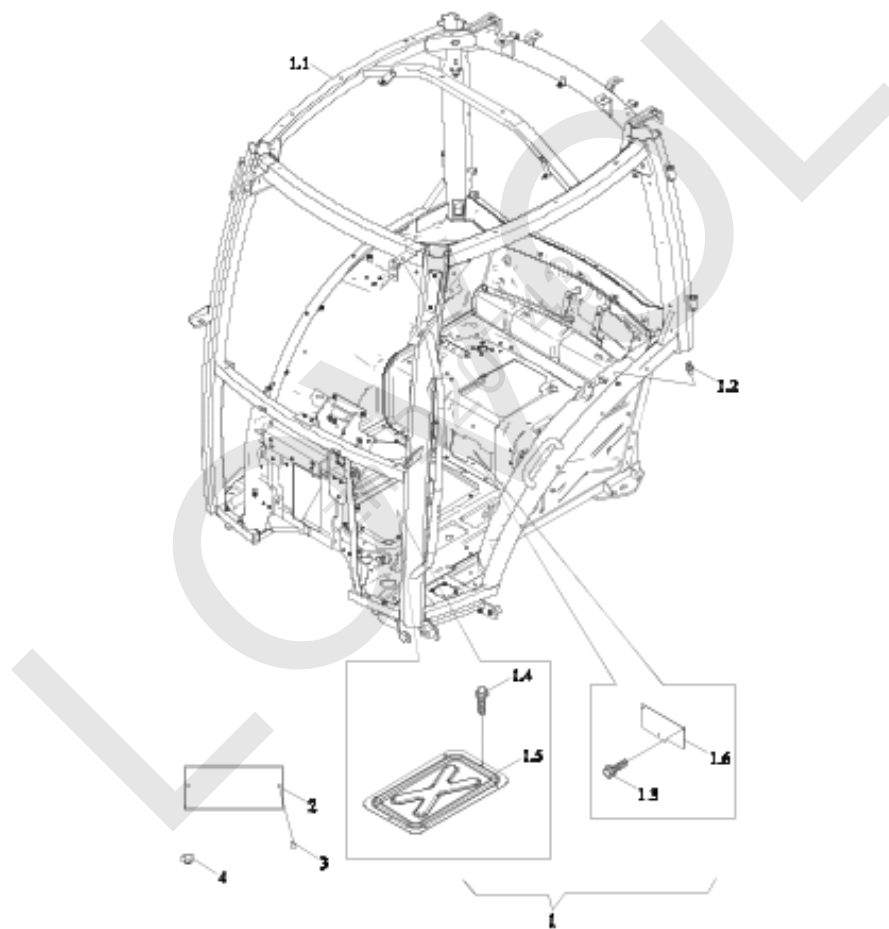


TB1S440010000K SEAT MOUNTING ASSEMBLY

No.	Part No.	Description	Version	QTY.	Remark
	TB1S440010000K	SEAT INSTALLATION ASSEMBLY		1	
1	TB1S440010001K	SEAT ASSEMBLY		1	
2	GBT6170-M8-8-A2L	HEXAGON NUT, TYPE-1		4	
3	GBT5789-M8X20-8.8-A2L	HEXAGON FLANGE NUT		4	
4	TB1S440010002K	SEAT INSTALLATION PLATE WELDMENT		1	
5	GBT97.1-8-A3L	FLAT WASHER		4	
6	GBT93-8-A3L	STANDARD SPRING WASHER		4	
7	GBT5783-M8X30-8.8-A2L	HEXAGON BOLT		4	

LOWVOL
zn D20743

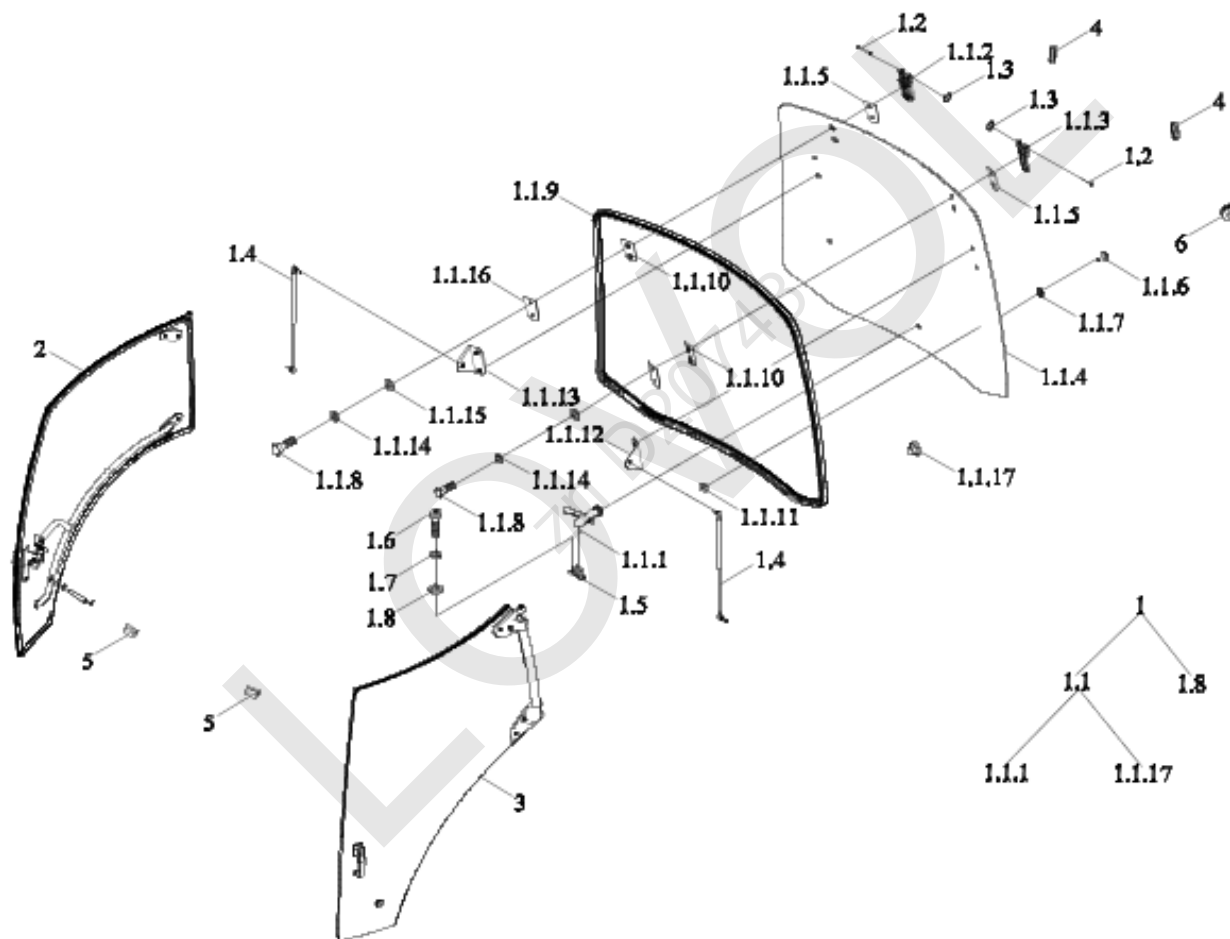
TB1S45107000K CAB ASSEMBLY-1



TB1S45107000K CAB ASSEMBLY-1

No.	Part No.	Description	Version	QTY.	Remark
	TB1S45107000K	CAB ASSEMBLY	001	1	
1	TB3S451010001K	CAB WELDMENT		1	
1.1	TB3S451010002K	CAB WELDMENT		1	
1.2	TS06451011153	DOOR PNEUMATIC SPRING INSTALLATION SEAT		2	
1.3	GBT16674. 1-M6X12-8. 8-A2L	HEX FLANGE BOLTS		3	
1.4	GBT16674. 1-M6X16-8. 8-A2L	HEX FLANGE BOLTS		5	
1.5	TS04451012001a	BONNET		1	
1.6	TS04451012005	REAR FLOOR COVER		1	
2	TB3S451010023K	EC NAMEPLATE CAB		1	
3	GBT12618-3X15	RIVET		2	
4	TD800. 452-11	PLUG COVER		1	

TB1S451070000K CAB ASSEMBLY-2



TB1S45107000K CAB ASSEMBLY-2

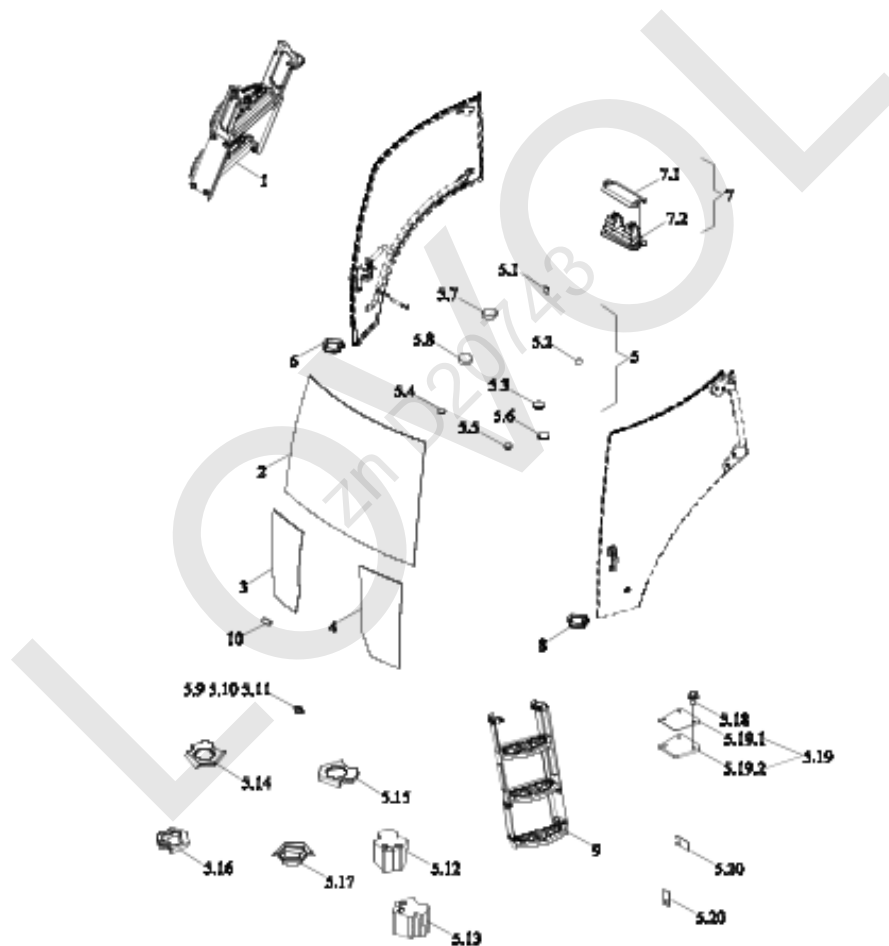
No.	Part No.	Description	Version	QTY.	Remark
	TB3S451011000K	CAB ACCESSORY		1	
	TB1S451070000K	CAB ASSEMBLY		1	
1	TB1S451020008K	REAR WINDOW ASSEMBLY		1	
1.1	TB1S451020009K	BACK WIND WINDOWS		1	
1.1.1	TS06451016109	HANDLE ASSEMBLY		1	
1.1.2	TS04451046111	BACK WINDOWS RIGHT HINGED SEAT		1	
1.1.3	TS04451046110	BACK WINDOWS LEFT HINGED SEAT		1	
1.1.4	TB1S451020010K	BACK WIND WINDOW GLASS		1	
1.1.5	TS06451016112	BACK WINDOWS HINGED OUT PAD BOARD		2	
1.1.6	TS04451013106	CAST BOLT		4	
1.1.7	TD904.451C.2-10	GLASS OUT WASHER		4	
1.1.8	GBT5789-M8X20-8.8-A2L	HEX FLANGE BOLTS		4	
1.1.9	TS04451016108	REAR WINDOW SEAL STRIP		1	
1.1.10	TS04451046113	BACK WINDOWS HINGED INTO PAD BOARD		2	
1.1.11	TD904.451C.2-09	GLASS IN WASHER		4	
1.1.12	TS04451026105	LEFT INSTALLATION BRACKET		1	
1.1.13	TS04451026106	RIGHT INSTALLATION BRACKET		1	
1.1.14	GBT93-8-A0P	STANDARD SPRING WASHER		4	
1.1.15	GBT96.1-8-A3L	LARGE WASHER		4	
1.1.16	TS06451016107	DOOR HINGE SEAT		2	
1.1.17	TS04451013109	PLUG COVER		4	
1.2	TS06451016004	BACK WINDOWS HINGED PIN SHAFT		2	
1.3	GBT896-6	SPLIT RETAINER RING		2	

TB1S451070000K CAB ASSEMBLY-2 (cont'd.)

No.	Part No.	Description	Version	QTY.	Remark
1.4	TS06451016001	REAR WINDOW PNEUMATIC SPRING		2	
1.5	TS06451016003	SEAT		1	
1.6	GBT818-M6X20-4.8	CROSS RECESSED PAN HEAD SCREWS		2	
1.7	GBT93-6-AOP	STANDARD SPRING WASHER		2	
1.8	GBT97.1-6-AOP	FLAT WASHERS		2	
2	TB1S451010039K	RIGHT DOOR ASSEMBLY		1	
3	TB1S451010036K	LEFT DOOR ASSEMBLY		1	
4	FT65.48.093	THROUGH HARNESS WASHER-1		4	
5	TS06451011269	GLASS MOUNTINGS MAT		2	
6	TS04451010010	PLUG COVER		2	

LOWLOL
zn D20743

TB1S45107000K CAB ASSEMBLY-3



TB1S451070000K CAB ASSEMBLY-3

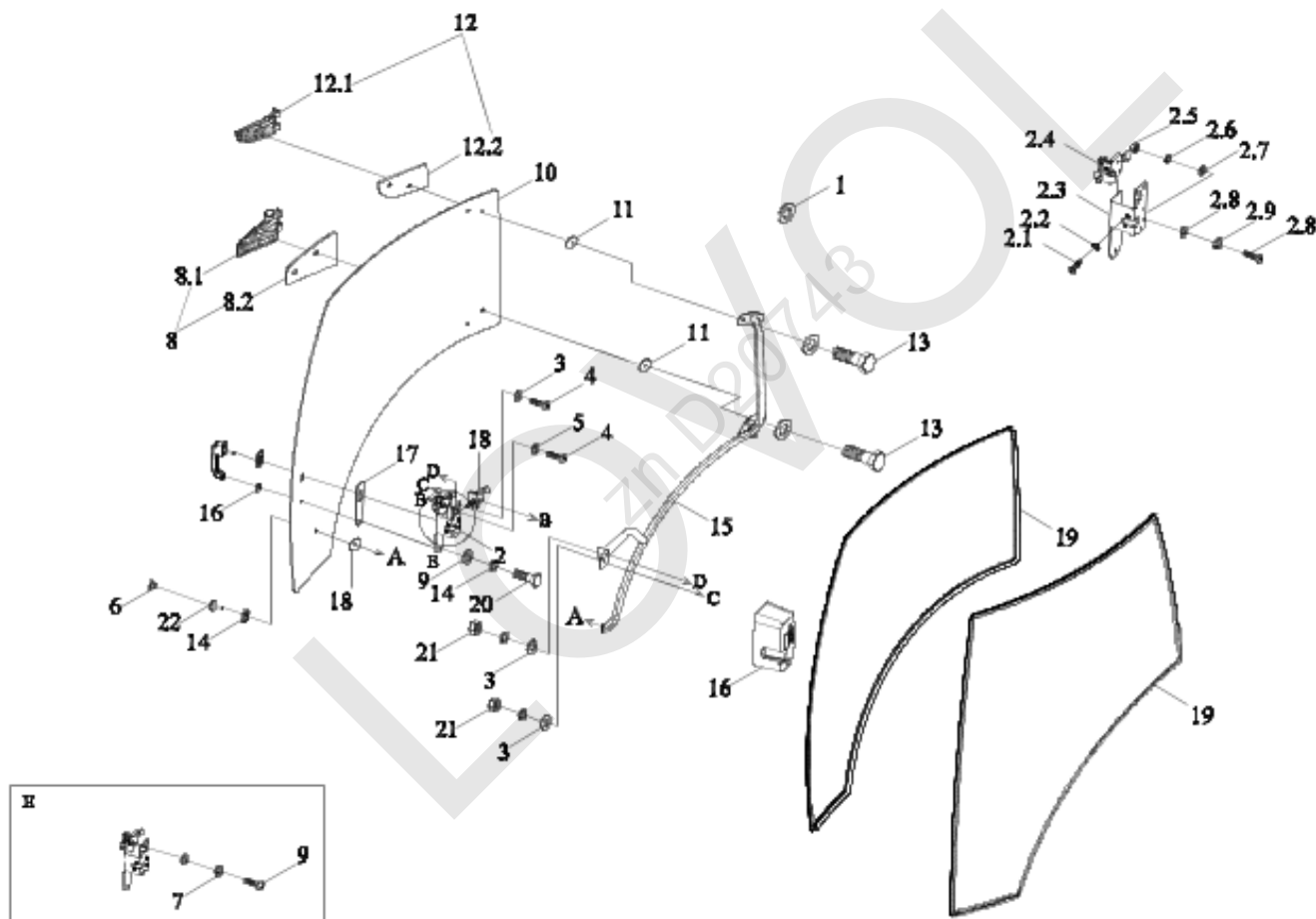
No.	Part No.	Description	Version	QTY.	Remark
	TB1S451070000K	CAB ASSEMBLY		1	
	TB3S451010002	CAB ACCESSORY		1	
1	TS04451017509	RIGHT LADDER		1	
2	TB3S451011001K	FRONT WINDSHIELD		1	
3	TB1S451010035K	RIGHT FRONT LOWER WINDOW GLASS		1	
4	TB1S451010034K	LEFT FRONT LOWER WINDOW GLASS		1	
5	TS04451019000	CAB SEAL		1	
5.1	TS06451019004	PROCESS PLUG COVER 4		2	
5.2	TS06451019001	PROCESS PLUG COVER 1		32	
5.3	TD800. 452-13	PLUG COVER		8	
5.4	TS06451019003	PROCESS HOLE COVER 3		16	
5.5	TS06451019002	PROCESS HOLE COVER 2		8	
5.6	TD800. 452Z-01	PLUG COVER		1	
5.7	QLWZL002-80X1. 5	3M GLUE PIECE		2	
5.8	QLWZL002-20X1. 0	3M GLUE PIECE		8	
5.9	TS04451010020	PLUG COVER		2	
5.10	TS04451010030	PLUG COVER		6	
5.11	TS04451010050	PLUG COVER		1	
5.12	TN1S451020023	SEAL SPONGE		1	
5.13	TN1S451020022	SEAL SPONGE		1	
5.14	TS06451019010	RUBBER PLUG		1	
5.15	TS06451019009	RUBBER PLUG		1	
5.16	TS06451019008	RUBBER PLUG		1	

TB1S451070000K CAB ASSEMBLY-3 (cont'd.)

No.	Part No.	Description	Version	QTY.	Remark
5.17	TS06451019007	RUBBER PLUG		1	
5.18	GBT16674.1-M6X12-8.8-A2L	HEX FLANGE BOLTS		3	
5.19	TS04451010045	COVER PLATE		1	
5.19.1	TB3S452011313	Repair cover plate bonding		1	
5.19.2	TB2S451010043	SEALED COTTON		1	
5.20	TB2S451010042	SEALING PLATE		2	
6	TS06811010009	GUARD RING 2		1	
7	TB1S451060007K	HANDLE BONNET		1	
7.1	TS04451010042	BONNET PRESSURE PLATE		1	
7.2	TB1S451060008K	HANDLE BONNET		1	
8	TS06811010008	GUARD RING 1		1	
9	TS04451017000	LEFT LADDER		1	
10	TS06451011274	GLASS MOUNTINGS MAT		2	

LOWVOL
zn D20743

TB1S45107000K CAB ASSEMBLY-4



TB1S45107000K CAB ASSEMBLY-4

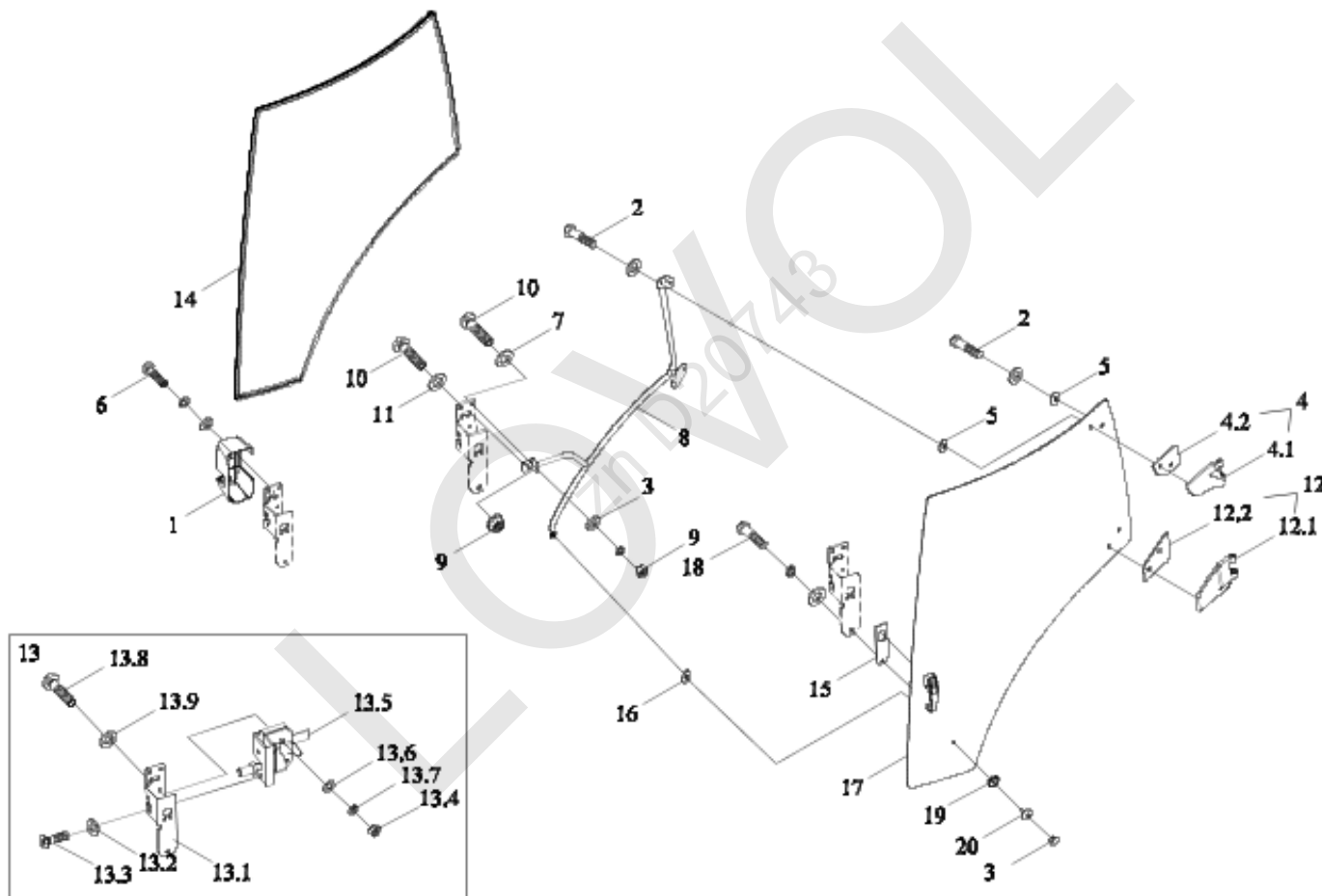
No.	Part No.	Description	Version	QTY.	Remark
	TB1S45107000K	CAB ASSEMBLY		1	
	TB3S451011000K	CAB ACCESSORY		1	
	TB1S451010039K	RIGHT DOOR ASSEMBLY		1	
	TB1S451010036K	LEFT DOOR ASSEMBLY		1	
	TB1S451010040K	RIGHT DOOR		1	
1	GBT97. 1-6-A3L	FLAT WASHERS		2	
2	TS06451014017	RIGHT DOOR LOCK ASSEMBLY		1	
2.1	GBT819. 1-M6X16-4. 8-A2L	CROSS RECESSED COUNTERSUNK HEAD SCREWS		2	
2.2	GBT956. 1-6	CONICAL LOCK WASHERS		2	
2.3	TS06451014116	RIGHT DOOR INSTALLATION BRACKET		1	
2.4	TS06451014210	RIGHT DOOR LOCK		1	
2.5	GBT6170-M6-8-A2L	TYPE 1 HEX NUT		2	
2.6	GBT93-6-A3L	STANDARD SPRING WASHER		2	
2.7	GBT97. 1-6-A3L	FLAT WASHERS		4	
2.8	GBT818-M6X30-4. 8-A2L	CROSS RECESSED PAN HEAD SCREWS		2	
3	GBT97. 1-8-A3L	FLAT WASHERS		2	
4	GBT5789-M8X25-8. 8-A2L	HEX FLANGE BOLTS		4	
5	GBT5287-8-A2L	BIG WASHER		1	
6	TS04451013109	PLUG COVER		1	
7	GBT93-6-A3L	STANDARD SPRING WASHER		2	
8	TS04451044224	LOWER RIGHT DOOR HINGE ASSY		1	
8.1	TS04451044222	RIGHT DOOR HING LOWER		1	
8.2	TS04451044112	RIGHT DOOR HINGE OUT RUBBER WASHER LOWER		1	

TB1S451070000K CAB ASSEMBLY-4 (cont'd.)

No.	Part No.	Description	Version	QTY.	Remark
9	GBT818-M6X16-4.8-A2L	CROSS RECESSED PAN HEAD SCREWS		2	
10	TB1S451010041K	RIGHT DOOR GLASS		1	
11	TS04451043110	DOOR HINGE IN RUBBER WASHER		4	
12	TS04451044223	UPPER RIGHT DOOR HINGE ASSY		1	
13	GBT818-M8X30-4.8-A2L	CROSS RECESSED PAN HEAD SCREWS		3	
14	TD904.451C.2-10	GLASS OUT WASHER		1	
15	TS04451014103	RIGHT DOOR RAIL WELDMENT		1	
16	TS06451014230	RIGHT DOOR LOCK BONNET		1	
17	TS04451013001	PAD BOARD		1	
18	TS04451013121	DOOR GLASS RUBBER WASHER		1	
19	TS04451013102	DOOR SEAL STRIP		1	
20	GBT5789-M6X35-8.8-A2L	HEX FLANGE BOLTS		3	
21	GBT6177.1-M8-8-A2L	HEXAGON FLANGE NUT		3	
22	TS04451013106	CAST BOLT		1	

LOWVOL
zn D20743

TB1S45107000K CAB ASSEMBLY-5



TB1S45107000K CAB ASSEMBLY-5

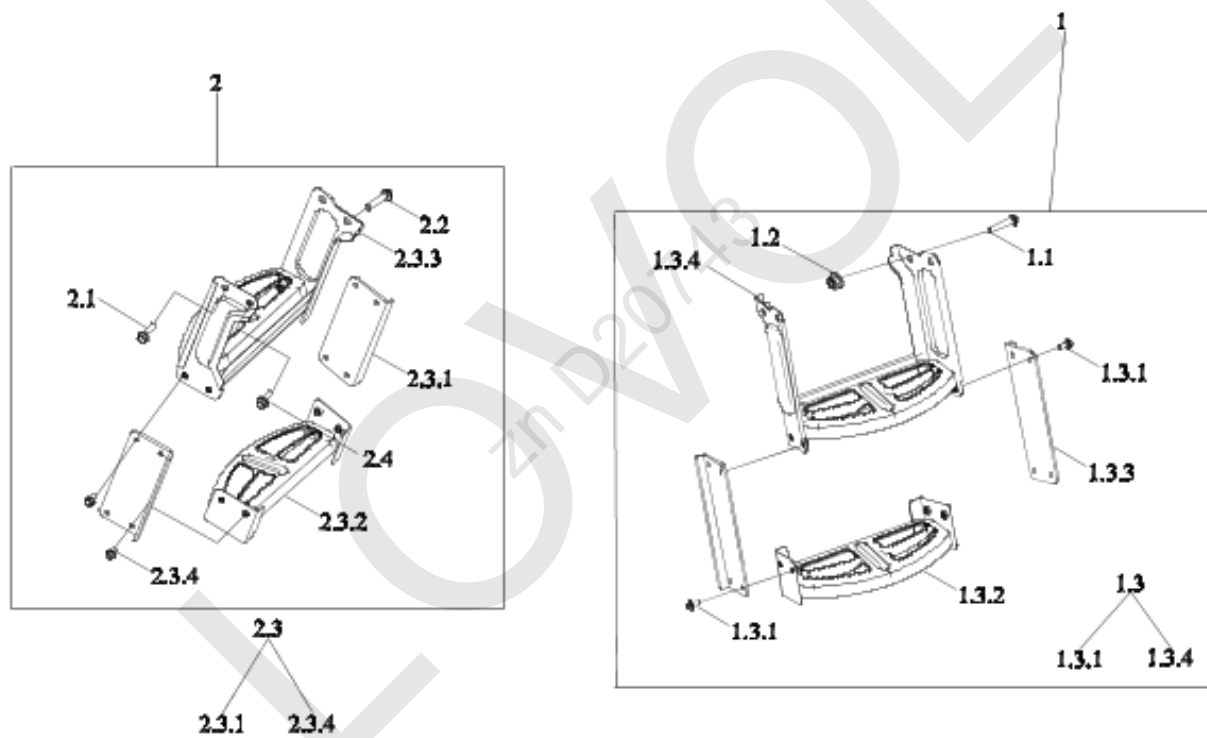
No.	Part No.	Description	Version	QTY.	Remark
	TB1S45107000K	CAB ASSEMBLY		1	
	TB3S451011000K	CAB ACCESSORY		1	
	TB1S451010036K	LEFT DOOR ASSEMBLY		1	
	TS04451043100	LEFT DOOR		1	
1	TS06451013230	LEFT DOOR LOCK BONNET		1	
2	GBT5789-M8X25-8. 8-A2L	HEX FLANGE BOLTS		4	
3	TS04451013109	PLUG COVER		1	
4	TS04451043223	UPPER LEFT DOOR HINGE ASSY		1	
4.1	TS04451043221	LEFT DOOR HINGE UPTER		1	
4.2	TS04451043111	LEFT DOOR HINGE OUT RUBBER WASHER UPTER		1	
5	TS04451043110	DOOR HINGE IN RUBBER WASHER		4	
6	GBT818-M6X16-4. 8-A2L	CROSS RECESSED PAN HEAD SCREWS		2	
7	GBT97. 1-8-A3L	FLAT WASHERS		2	
8	TS04451013103	LEFT DOOR RAIL WELDMENT		1	
9	GBT6177. 1-M8-8-A2L	HEXAGON FLANGE NUT		3	
10	GBT818-M8X30-4. 8-A2L	CROSS RECESSED PAN HEAD SCREWS		3	
11	GBT5287-8-A2L	BIG WASHER		1	
12	TS04451043224	WIND OUTPUT GATE 1		1	
12.1	TS04451043112	LEFT DOOR HINGE OUT RUBBER WASHER LOWER		1	
12.2	TS04451043222	LEFT DOOR HINGE LOWER		1	
13	TS06451013017	LEFT DOOR LOCK ASSEMBLY		1	
13.1	TS06451013116	LEFT DOOR LOCK BONNET		1	
13.2	GBT956. 1-6	CONICAL LOCK WASHERS		2	

TB1S451070000K CAB ASSEMBLY-5 (cont'd.)

No.	Part No.	Description	Version	QTY.	Remark
13.3	GBT819.1-M6X16-4.8-A2L	CROSS RECESSED COUNTERSUNK HEAD SCREWS		2	
13.4	GBT6170-M6-8-A2L	TYPE 1 HEX NUT		2	
13.5	TS06451013210	LEFT DOOR LOCK BODY		1	
13.6	GBT97.1-6-A3L	FLAT WASHERS		2	
13.7	GBT93-6-A3L	STANDARD SPRING WASHER		2	
13.8	GBT818-M6X30-4.8-A2L	CROSS RECESSED PAN HEAD SCREWS		2	
13.9	GBT96.1-6-A3L	LARGE WASHER		2	
14	TS04451013102	DOOR SEAL STRIP		1	
15	TS04451013001	PAD BOARD		1	
16	TS04451013121	DOOR GLASS RUBBER WASHER		1	
17	TB1S451010038K	LEFT DOOR GLASS		1	
18	GBT5789-M6X35-8.8-A2L	HEX FLANGE BOLTS		3	
19	TD904.451C.2-10	GLASS OUT WASHER		1	
20	TS04451013106	CAST BOLT		1	

LOWLOL
zn D20743

TB1S451070000K CAB ASSEMBLY-6

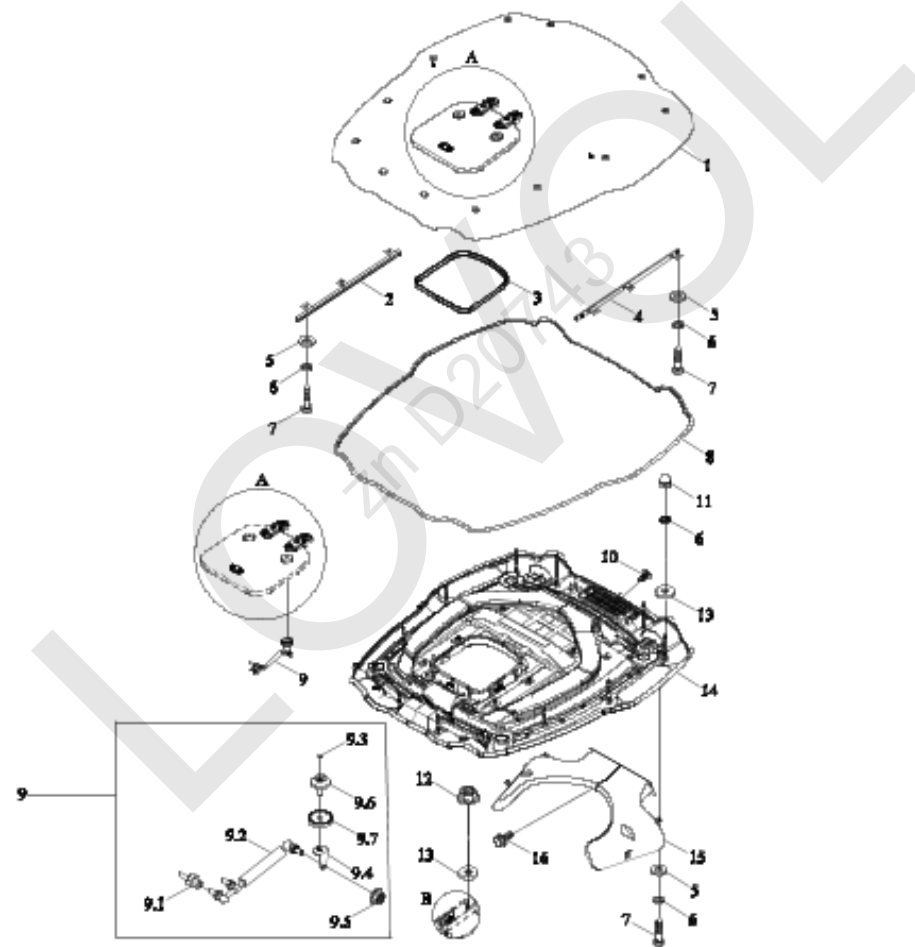


TB1S45107000K CAB ASSEMBLY-6

No.	Part No.	Description	Version	QTY.	Remark
	TB1S45107000K	CAB ASSEMBLY		1	
	TB3S451011000K	CAB ACCESSORY		1	
1	TS04451017000	LEFT LADDER		1	
1.1	GBT16674.1-M10X50-8.8-A3L	HEX FLANGE BOLTS		4	
1.2	GBT6177.1-M10-8-A3L	HEXAGON FLANGE NUT		1	
1.3	TB3S451017206	LADDER		1	
1.3.1	GBT16674.1-M8X16-8.8-A2L	HEX FLANGE BOLTS		8	
1.3.2	TS04451017106	PEDAL WELDMENT		1	
1.3.3	TB3S451017107	HOISTING BOARD		2	
1.3.4	TB3S451017100	LEFT LADDER		1	
2	TS04451017509	RIGHT LADDER		1	
2.1	GBT16674.1-M10X35-8.8-A3L	HEX FLANGE BOLTS		1	
2.2	GBT16674.1-M10X50-8.8-A3L	HEX FLANGE BOLTS		2	
2.3	TS04451017514	RIGHT LADDER		1	
2.3.1	TS04451017107	HOISTING BOARD		2	
2.3.2	TS04451017106	PEDAL WELDMENT		1	
2.3.3	TS04451017512	RIGHT LADDER WELDMENT		1	
2.3.4	GBT16674.1-M8X16-8.8-A2L	HEX FLANGE BOLTS		8	
2.4	GBT16674.1-M10X30-8.8-A3L	HEX FLANGE BOLTS		1	

LOWVOL
zn D20743

TB1S451070000K CAB ASSEMBLY-7



TB1S451070000K CAB ASSEMBLY-7

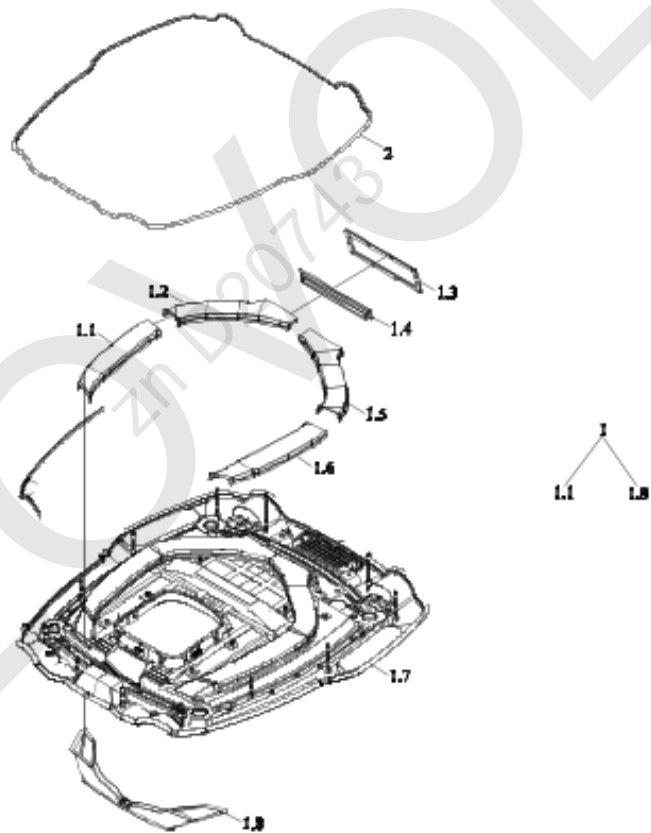
No.	Part No.	Description	Version	QTY.	Remark
	TB1S451070000K	CAB ASSEMBLY		1	
1	TS04453025100	OUT TOP		1	
2	TS06453015800	RIGHT SLIDEWAY		1	
3	TS04453015400	SUNROOF SEAL		1	
4	TS06453015700	LEFT SLIDEWAY		1	
5	GBT96. 1-6-A3L	LARGE WASHER		24	
6	GBT93-6-A3L	STANDARD SPRING WASHER		12	
7	GBT16674. 1-M6X20-8. 8-A2L	HEX FLANGE BOLTS		26	
8	TS06453015010	SPONGE		4	
9	TS06453015600	PNEUMATIC SPRING INSTALLATION ASSEMBLY		2	
9	TS06453015600	PNEUMATIC SPRING INSTALLATION ASSEMBLY		2	
9.1	TS06453015602	INSTALLATION SEAT 1		1	
9.2	TS06453015601	PNEUMATIC SPRING		1	
9.3	TS04451013109	PLUG COVER		1	
9.4	TS06453015607	MOUNTING BRACKET WELDING		1	
9.5	GBT6177. 1-M8-10-A2L	HEXAGON FLANGE NUT		1	
9.6	TS04451013106	CAST BOLT		1	
9.7	TS06453015605	FIXING SLEEVE OUT MAT		1	
10	Q69208	PLASTIC SPLIT PIN		2	
11	GBT923-M6-A1-50	HEX CAP NUT		12	
12	GBT6177. 1-M6-8-A2L	HEXAGON FLANGE NUT		6	
13	TS06453015001	SEAL		18	
14	TS04453015202b	INNER TOP		1	

TB1S451070000K CAB ASSEMBLY-7 (cont'd.)

No.	Part No.	Description	Version	QTY.	Remark
15	TS04453015320a	LOWER WIND WAY		1	
16	GBT16674. 1-M6X12-8. 8-A2L	HEX FLANGE BOLTS		4	

LOWVOL
zn D20743

TB1S45107000K CAB ASSEMBLY-8

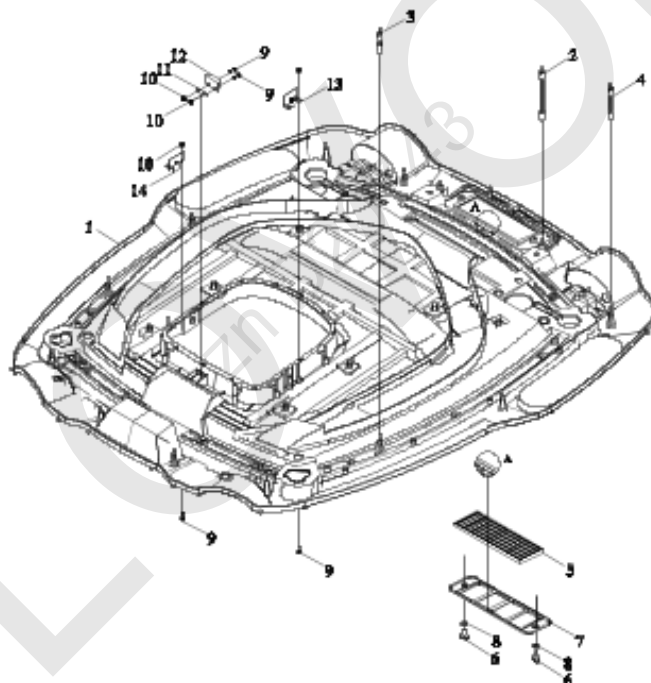


TB1S45107000K CAB ASSEMBLY-8

No.	Part No.	Description	Version	QTY.	Remark
	TB1S45107000K	CAB ASSEMBLY		1	
	TS04453015000K	TOP COVER ASSEMBLY		1	
	TS04453015202b	INNER TOP		1	
1	TS04453015200b	INNER TOP AIR CONDITION		1	
1.1	TS04453015314	DEFROST WIND PIPE RIGHT FRONT		1	
1.2	TS04453015315	DEFROST WIND PIPE RIGHT BACK		1	
1.3	TS06453015330	WIND WAY CONNECTING PLATE WELDMENT		1	
1.4	TS04453015316a	DEFROST WIND WAY IN MOUTH		1	
1.5	TS04453015313	DEFROST WIND PIPE LEFT BACK		1	
1.6	TS04453015312	DEFROST WIND PIPE LEFT FRONT		1	
1.7	TS04453015201a	INNER TOP AIR CONDITION		1	
1.8	TS04453015311	DEFROST WIND WAY LOW		1	
2	TS04453015501	TOP SEAL STRIP		1	

LOWVOL
zn D20743

TB1S45107000K CAB ASSEMBLY-9

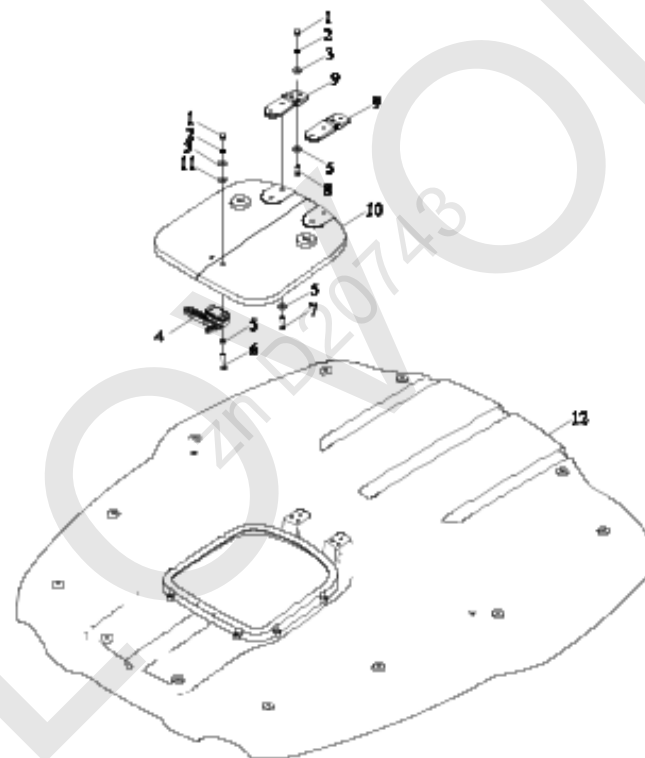


TB1S45107000K CAB ASSEMBLY-9

No.	Part No.	Description	Version	QTY.	Remark
	TS04453015202b	INNER TOP		1	
	TS04453015201a	INNER TOP AIR CONDITION		1	
	TB1S45107000K	CAB ASSEMBLY		1	
1	TS04453015209a	INNER TOP		1	
2	TS06453015205	CONNECTING BOLT		2	
3	TS06453015203	CONNECTING BOLT		6	
4	TS06453015204	CONNECTING BOLT		4	
5	TS06453015207a	FILTER ELEMENT		1	
6	TS06453015105	PLUG		2	
7	TS06453015206a	WIND MOUTH		1	
8	TS06453015001	SEAL		2	
9	GBT818-M6X16-4.8-A2L	CROSS RECESSED PAN HEAD SCREWS		6	
10	GBT6177.1-M6-8-A2L	HEXAGON FLANGE NUT		6	
11	TS06453015212	RIGHT PNEUMATIC SPRING FIXING SEAT		1	
12	TS06453015210	LOCKING SEAT		1	
13	TS06453015211	LEFT PNEUMATIC SPRING FIXING SEAT		1	
14	TS06453015213	INSTALLATION PLATE		1	

LOWVOL
zn D20743

TB1S451070000K CAB ASSEMBLY-10

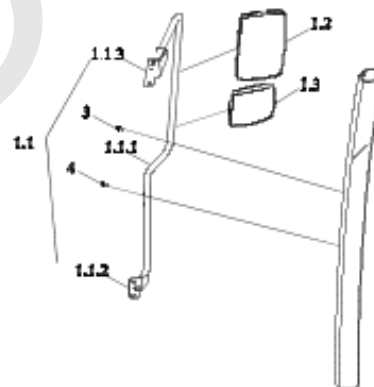
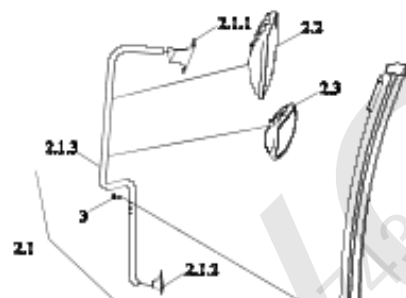


TB1S451070000K CAB ASSEMBLY-10

No.	Part No.	Description	Version	QTY.	Remark
	TB1S451070000K	CAB ASSEMBLY		1	
	TS04453015000K	TOP COVER ASSEMBLY		1	
	TS04453025100	OUT TOP		1	
1	GBT923-M6-A1-50	HEX CAP NUT		12	
2	GBT93-6-A3L	STANDARD SPRING WASHER		12	
3	GBT96. 1-6-A3L	LARGE WASHER		12	
4	TS04453015102	TOP WINDOW HANDLE		1	
5	GBT97. 1-6-A3L	FLAT WASHERS		12	
6	GBT818-M6X40-4. 8-A1L	CROSS RECESSED PAN HEAD SCREWS		2	
7	GBT818-M6X30-4. 8-A2L	CROSS RECESSED PAN HEAD SCREWS		4	
8	GBT818-M6X20-4. 8-A2L	CROSS RECESSED PAN HEAD SCREWS		6	
9	TS04453015103	OPEN HINGE		1	
10	TS04453025101	TOP WINDOW		1	
11	TS06453015001	SEAL		12	
12	TS04453015104	OUT TOP		1	

LOWVOL
zn D20743

TB1S451070000K CAB ASSEMBLY-11



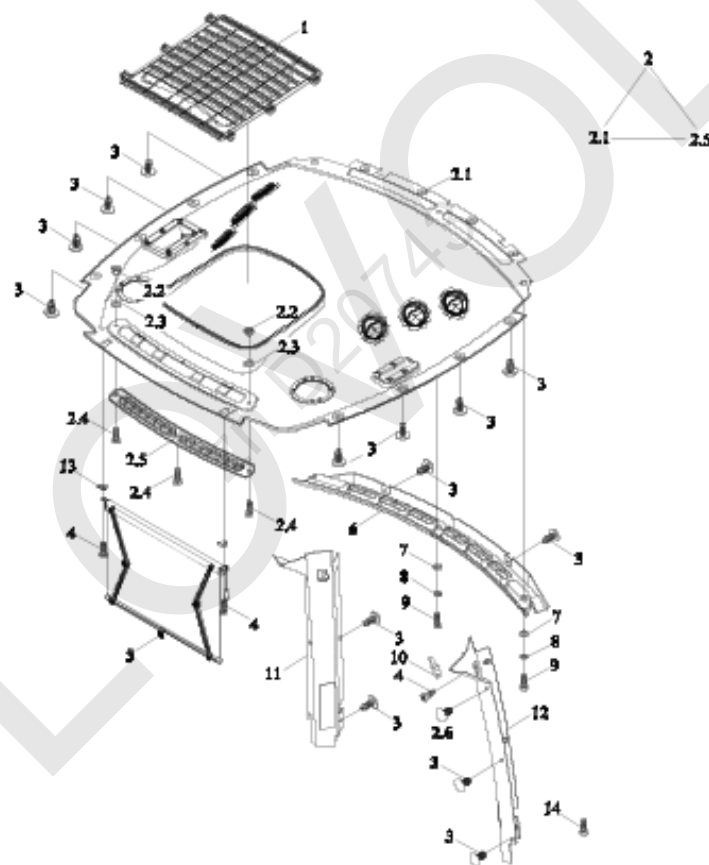
TB1S451070000K CAB ASSEMBLY-11

No.	Part No.	Description	Version	QTY.	Remark
	TB1S451070000K (11)	CAB ASSEMBLY		1	
	TB3S451013000K	REAR MIRROR ASSEMBLY		1	
1	TP4P451013009K	RIGHT REARVIEW MIRROR ASSEMBLY		1	
1.1	TP4P451013010K	RIGHT REAR VIEW MIRROR BRACKET		1	
1.1.1	TP4P451013011K	SYPHON		1	
1.1.2	TP4P451013012K	INSTALLATION SEAT		1	
1.1.3	TP4P451013113K	MOUNTING BRACKET		1	
1.2	TP4P451013007K	REARVIEW MIRROR		1	
1.3	TP4P451013008K	REARVIEW MIRROR		1	
2	TP4P451013001K	REARVIEW MIRROR ASSEMBLY (LH)		1	
2.1	TP4P451013002K	LEFT REAR VIEW MIRROR BRACKET		1	
2.1.1	TP4P451013006K	INSTALLATION SEAT		1	
2.1.2	TP4P451013005K	SYPHON		1	
2.1.3	TP4P451013114K	MOUNTING BRACKET		1	
2.2	TP4P451013008K	REARVIEW MIRROR		1	
2.3	TP4P451013007K	REARVIEW MIRROR		1	
3	GBT16674. 1-M8X16-8. 8-A2L	HEX FLANGE BOLTS		4	
4	GBT16674. 1-M8X20-8. 8-A2L	HEX FLANGE BOLTS		4	

LOWVOL
zn D20743

LOWVOL
zn D20743

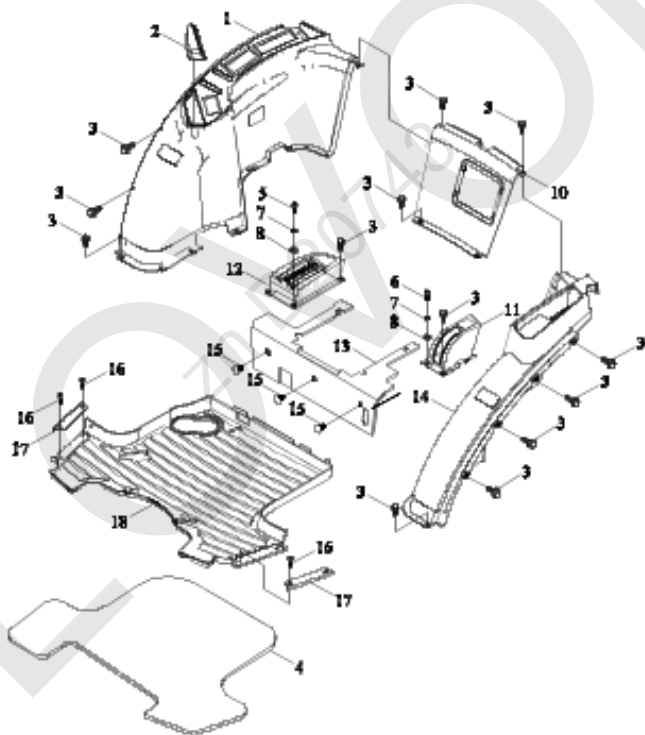
TB3S453040000K INTERIOR ASSEMBLY-1



TB3S453040000K INTERIOR ASSEMBLY-1

No.	Part No.	Description	Version	QTY.	Remark
	TB3S453040000K	UPHOLSTERY ASSEMBLY	003	1	
1	TS04453017001	GUIDE RAIL		1	
2	TS04453011000	TOP UPHOLSTERY		1	
2.1	TS04453011001	TOP UPHOLSTERY		1	
2.2	GBT6170-M5-8-A2L	TYPE 1 HEX NUT		2	
2.3	GBT96. 1-5-A3L	LARGE WASHER		2	
2.4	GBT818-M5X16-4. 8-A2L	CROSS RECESSED PAN HEAD SCREWS		2	
2.5	TS04453011002	DEFROST WIND MOUTH		1	
2.6	GBT818-M6X16-4. 8-0	CROSS RECESSED PAN HEAD SCREWS		1	
3	Q69208	PLASTIC SPLIT PIN		33	
4	GBT818-M6X25-4. 8-A2L	CROSS RECESSED PAN HEAD SCREWS		1	
5	TB1S453030005	SHADOW CURTAIN		1	
6	TS04453016000	WIND MOUTH		1	
7	GBT97. 1-6-A3L	FLAT WASHERS		2	
8	GBT93-6-A3L	STANDARD SPRING WASHER		2	
9	GBT818-M6X20-4. 8-A2L	CROSS RECESSED PAN HEAD SCREWS		3	
10	BZF0045-001	COAT HOOK		2	
11	TS04453013400a	LEFT HOUSING		1	
12	TY3S453010003K	RIGHT HOUSING		1	
13	TB1S453030006	INSTALLATION PLATE		2	
14	GBT70. 1-M6X16-8. 8-A2L	HEXAGON SOCKET HEAD CAP SCREW		6	

TB3S453040000K INTERIOR ASSEMBLY-2



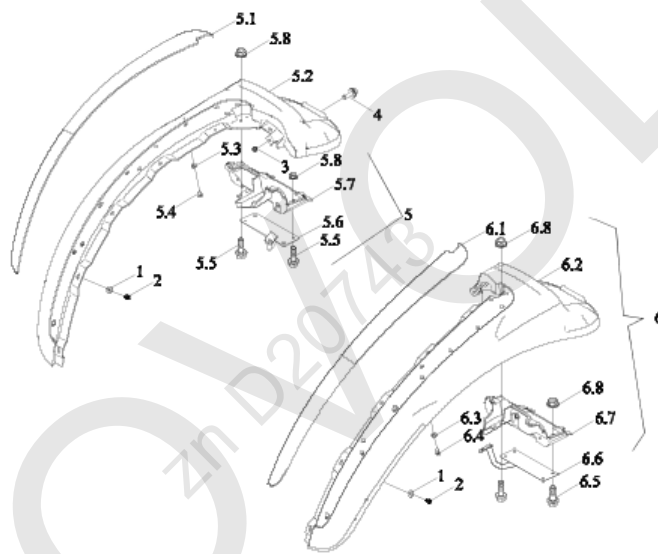
TB3S453040000K INTERIOR ASSEMBLY-2

No.	Part No.	Description	Version	QTY.	Remark
	TB3S453040000K	UPHOLSTERY ASSEMBLY		1	
1	TB3S453010002K	RIGHT REAR MUD GUARD DECORATION PART		1	
2	TS04453013600	WATCH BONNET		1	
3	GBT5789-M6X20-8.8-A2L	HEX FLANGE BOLTS		28	
4	TS04453012200	FLOOR MAT PEDAL		1	
5	GBT819.2-M6X25-8.8-A2L	CROSS RECESSED COUNTERSUNK HEAD SCREWS		4	
6	GBT818-M6X35-4.8-A2L	CROSS RECESSED PAN HEAD SCREWS		1	
7	GBT93-6-A3L	STANDARD SPRING WASHER		2	
8	GBT96.1-6-A3L	LARGE WASHER		2	
10	TS04453013301	UPHOLSTERY		1	
11	TS04453013700	PARKING BRAKE BONNET		1	
12	TS04453013800	AUXILIARY CLUTCH BONNET		1	
13	TS04453012100	MIDDLE FLOOR MAT		1	
14	TB1S453030001K	LEFT REAR MUD GUARD DECORATION PART		1	
15	Q69208	PLASTIC SPLIT PIN		33	
16	GBT819.1-M6X16-4.8-A2L	CROSS RECESSED COUNTERSUNK HEAD SCREWS		4	
17	TB1S453044000K	FLOOR MAT PRESSURE PLATE		2	
18	TB3S453010001K	FLOOR MAT		1	

LOWVOL
zn D20743

TS04455010000 TRIM ASSEMBLY (REAR FENDER)

LOWVOL
zn D20743



TS04455010000 TRIM ASSEMBLY (REAR FENDER)

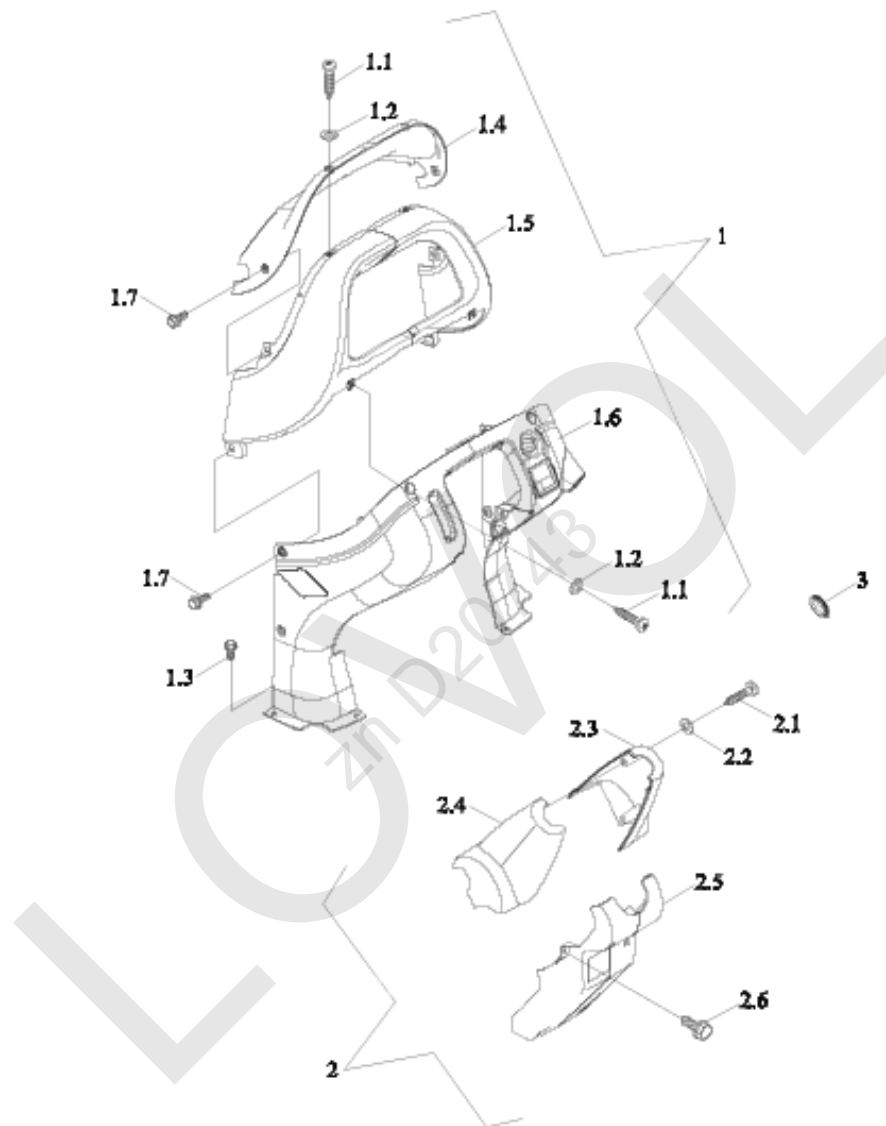
No.	Part No.	Description	Version	QTY.	Remark
	TS04455010000	BACK REAR MUD GUARD DECORATION PART	008	1	
1	GBT96. 1-8-A2	LARGE WASHER		10	
2	GBT5783-M8X20-10. 9-A2L	HEX HEAD BOLTS		10	
3	GBT6177. 1-M8-10-A2L	HEXAGON FLANGE NUT		2	
4	GBT16674. 1-M8X20-8. 8-A2L	HEX FLANGE BOLTS		4	
5	TS04455050002	RIGHT REAR MUD GUARD DECORATION PART		1	
5.1	TS04455030004	Trim panel on right rear fender		1	
5.2	TS04455050001	Right rear fender trim body		1	
5.3	GBT97. 1-5-A3L	FLAT WASHERS		15	
5.4	GBT845-ST4. 2X13	CROSS RECESSED PAN HEAD TAPPING SCREWS		15	
5.5	GBT16674. 1-M6X12-8. 8-A2L	HEX FLANGE BOLTS		6	
5.6	TS04455030006	Right rear fender bracket welded		1	
5.7	TS04455030005	Right rear fender guard		1	
5.8	GBT6177. 1-M6-8-A2L	HEXAGON FLANGE NUT		6	
6	TS04455030001	LEFT REAR MUD GUARD DECORATION PART		1	
6.1	TS04455030012	Top trim to left rear fender		1	
6.2	TS04455030011	Left rear fender trim body		1	
6.3	GBT97. 1-5-A3L	FLAT WASHERS		15	
6.4	GBT845-ST4. 2X13	CROSS RECESSED PAN HEAD TAPPING SCREWS		15	
6.5	GBT16674. 1-M6X12-8. 8-A2L	HEX FLANGE BOLTS		6	
6.6	TS04455030014	Left rear fender bracket welded		1	

TS04455010000 TRIM ASSEMBLY (REAR FENDER) (cont'd.)

No.	Part No.	Description	Version	QTY.	Remark
6.7	TS04455030013	Left rear fender guard		1	
6.8	GBT6177.1-M6-8-A2L	HEXAGON FLANGE NUT		6	

TB3S456020000K COWL

LOWVOLT
zn D20743

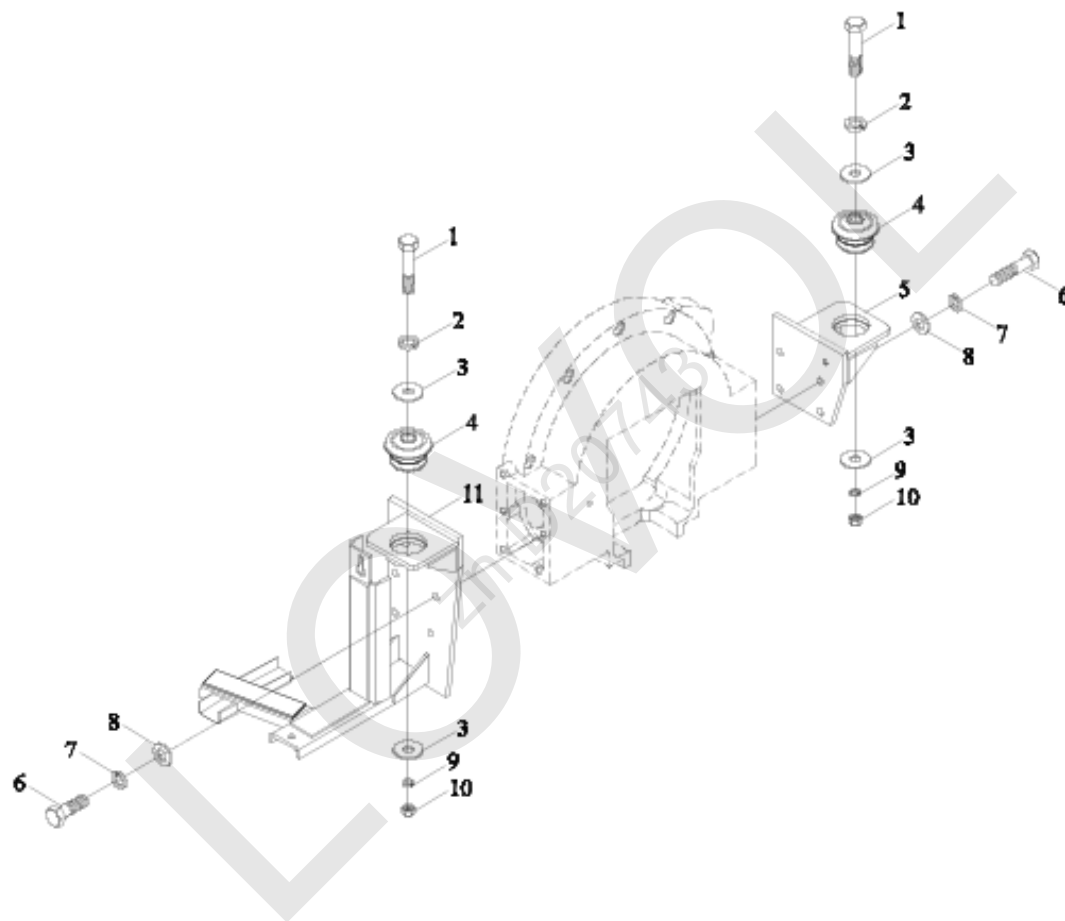


TB3S456020000K COWL

No.	Part No.	Description	Version	QTY.	Remark
	TB3S456020000K	DASHBOARD ASSEMBLY	002	1	
1	TS04456040001	DASHBOARD BOX		1	
1.1	GBT845-ST4. 8X16-0	CROSS RECESSED PAN HEAD TAPPING SCREWS		4	
1.2	GBT97. 1-6-0	FLAT WASHERS		4	
1.3	GBT16674. 1-M6X20-8. 8-A2L	HEX FLANGE BOLTS		4	
1.4	TS04456010002	UPPER COVER		1	
1.5	TS04456010003	DASHBOARD MIDDLE COVER		1	
1.6	TS04456020004	LOWER COVER		1	
1.7	GBT5789-M6X16-8. 8-A2L	HEX FLANGE BOLTS		4	
2	TS04456010005	STEERING GEAR HOUSING		1	
2.1	GBT845-ST4. 8X16-0	CROSS RECESSED PAN HEAD TAPPING SCREWS		2	
2.2	GBT97. 1-6-0	FLAT WASHERS		2	
2.3	TS06456010008	STEERING GEAR RIGHT COVER PLATE		1	
2.4	TS06456010007	STEERING GEAR LEFT COVER PLATE		1	
2.5	TS04456010006	STEERING GEAR LOW COVER PLATE		1	
2.6	GBT16674. 1-M6X20-8. 8-0	HEX FLANGE BOLTS		4	
3	TB600. 45L-03	PLUG COVER		1	

TS04457010000 FRONT CONNECTING ASSEMBLY

LOWVOL
zn D20743

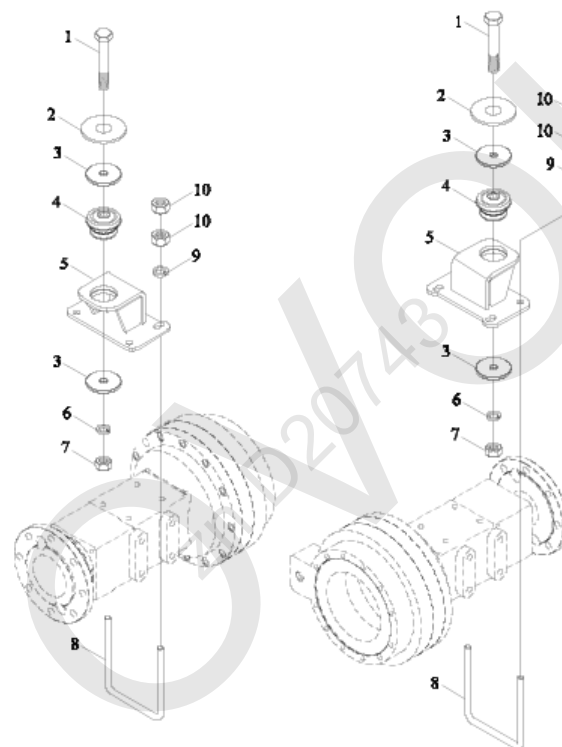


TS04457010000 FRONT CONNECTING ASSEMBLY

No.	Part No.	Description	Version	QTY.	Remark
	TS04457010000	FRONT CONNECTING ASSEMBLY		1	
1	GBT5783-M16X80-10.9-A3L	HEX HEAD BOLTS		2	
2	GBT96.1-16-A0P	LARGE WASHER		2	
3	TB400.457B-02	RETAINING RING		4	
4	TB400.457B-01	CAB DOWEL		2	
5	TS04457010004	RIGHT FRONT CONNECTION WELDMENT		1	
6	GBT5783-M12X35-10.9-A3L	HEX HEAD BOLTS		10	
7	GBT93-12-A0P	STANDARD SPRING WASHER		10	
8	GBT97.1-12-A0P	FLAT WASHERS		10	
9	GBT93-16-A0P	STANDARD SPRING WASHER		2	
10	GBT6170-M16-10-A3L	TYPE 1 HEX NUT		2	
11	TS04457010001	LEFT FRONT CONNECTION WELDMENT		1	

TS04458010000 REAR CONNECTION ASSEMBLY

LOWVOL
zn D20743

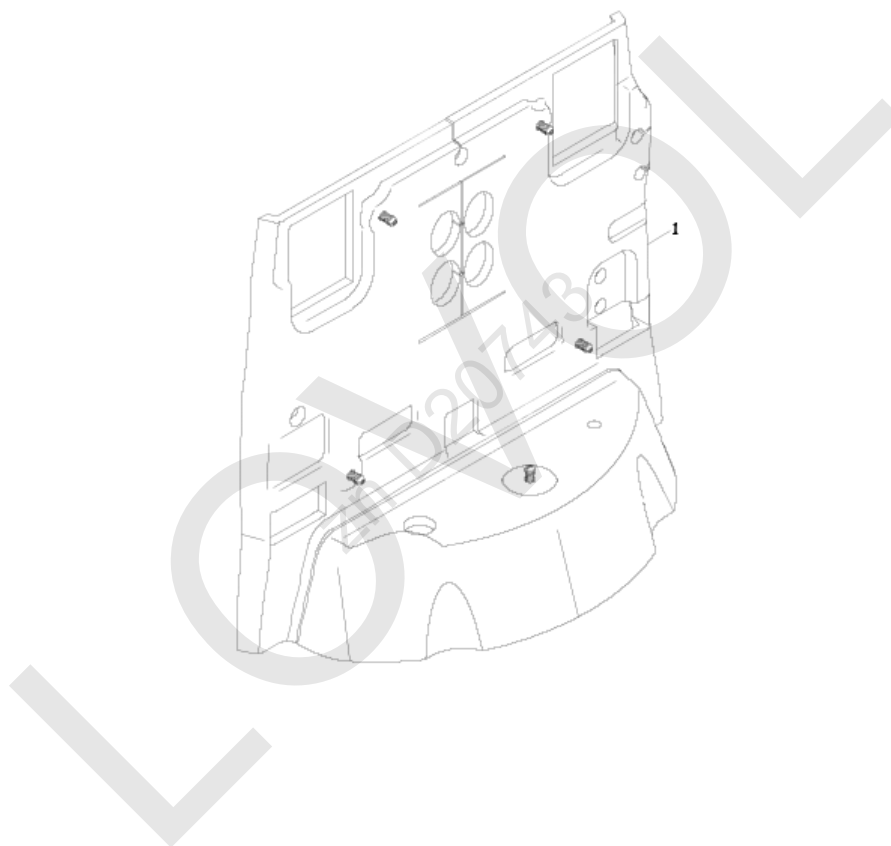


TS04458010000 REAR CONNECTION ASSEMBLY

No.	Part No.	Description	Version	QTY.	Remark
	TS04458010000	REAR CONNECTING ASSEMBLY		1	
1	GBT5783-M16X90-10.9-A2L	HEX HEAD BOLTS		2	
2	GBT96.1-16-A0P	LARGE WASHER		2	
3	TB400.457B-02	RETAINING RING		4	
4	TB400.457B-01	CAB DOWEL		2	
5	TS04458010001	REAR CONNECTING WELDMENT		2	
6	GBT93-16-A0P	STANDARD SPRING WASHER		2	
7	GBT6170-M16-10-A3L	TYPE 1 HEX NUT		2	
8	FT400.46.350	U-BOLT		4	
9	GBT97.1-14-A0P	FLAT WASHERS		8	
10	GBT6170-M14-8-A3L	TYPE 1 HEX NUT		16	

TS04459010000 INSULATION LAYER

LOWVOL
zn D20743



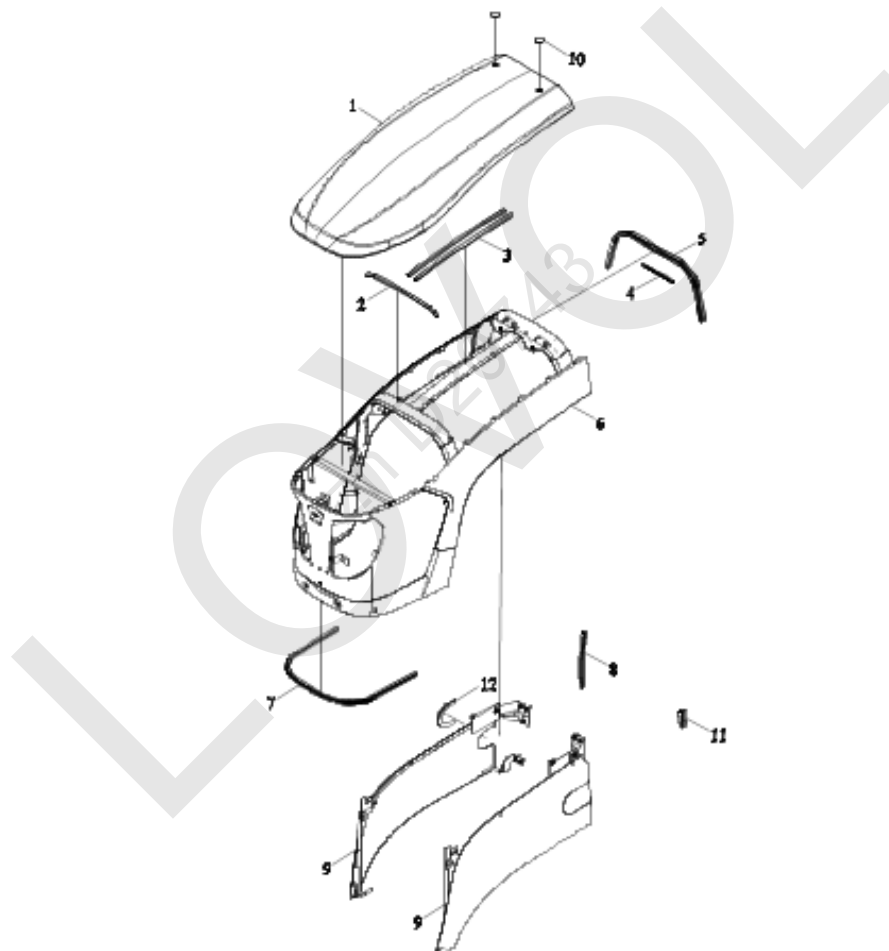
TS04459010000 INSULATION LAYER

No.	Part No.	Description	Version	QTY.	Remark
1	TS04459010000	INSULATION LAYER		1	
	TS04459010001	INSULATION LAYER		1	

LOWE
zn D20743

LOWVOL
zn D20743

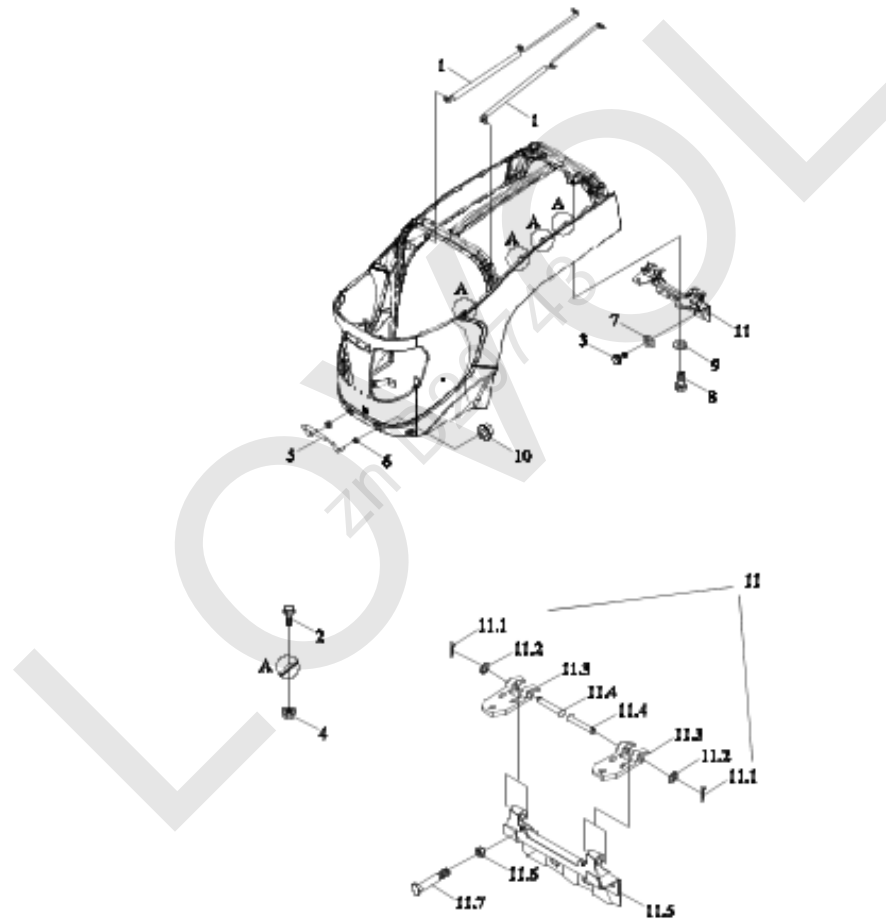
TB3S471040000K HOOD ASSEMBLY-1



TB3S471040000K HOOD ASSEMBLY-1

No.	Part No.	Description	Version	QTY.	Remark
	TB3S471040000K	HOOD ASSEMBLY	001	1	
1	TS04471012001	BONNET UP COVER PLATE		1	
2	TS04471010007	FRONT SHOCK WASHER		1	
3	TS04471010004	MIDDLE SHOCK WASHER		2	
4	TS04471010008	BACK SHOCK RUBBER STRIP		1	
5	TS04471010001	BONNET REAR SEAL STRIP		1	
6	TB1S471020001K	BONNET WELDMENT ASSEMBLY		1	
7	TB1S471010006K	FRONT LOWER CUSHION RUBBER PIECE		1	
8	TS04471010009	SEAL STRIP		1	
9	TB3S471010001K	LOWER SIDE PLATE		1	
10	TS06471010005	PLUG		2	
11	TS04471010006K	LEFT BACK SEAL STRIP		1	
12	TB3S471010004K	Cover right side plate sealing strip		1	

TB3S471040000K HOOD ASSEMBLY-2

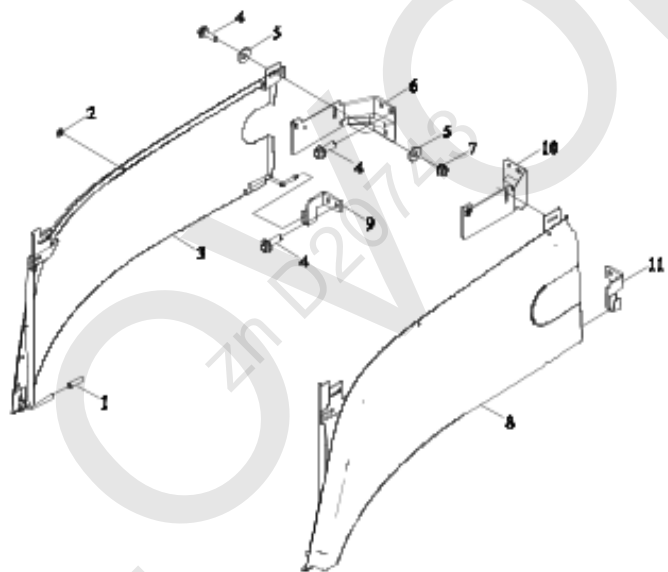


TB3S471040000K HOOD ASSEMBLY-2

No.	Part No.	Description	Version	QTY.	Remark
	TB3S471040000K	HOOD ASSEMBLY		1	
1	TD800.471-01	BONNET PNEUMATIC SPRING		2	
2	GBT5789-M6X12-8.8-A2L	HEX FLANGE BOLTS		18	
3	GBT5789-M12X35-8.8-A3L	HEX FLANGE BOLTS		3	
4	GBT6177.1-M6-8-A2L	HEXAGON FLANGE NUT		18	
5	TS04471010003	HANDLE		1	
6	TD800.471A-05	WASHER		2	
7	GBT96.1-12-A3L	LARGE WASHER		3	
8	GBT5789-M10X30-8.8-A3L	HEX FLANGE BOLTS		6	
9	GBT96.1-10-A3L	LARGE WASHER		6	
10	GBT6177.1-M12-8-A3L	HEXAGON FLANGE NUT		2	
11	TS04471013000	BONNET HINGE ASSEMBLY		1	
11.1	GBT91-4X32-A0P	COTTER PIN		2	
11.2	GBT97.1-16-A0P	FLAT WASHERS		2	
11.3	FT800B.47B.161	HINGE UPPER SEAT		2	
11.4	GBT882-B16X90-A0P	PIN		2	
11.5	TS04471013001	BONNET LOW BRACKET WELDMENT		1	
11.6	GBT6170-M8-8-A2L	TYPE 1 HEX NUT		2	
11.7	GBT5783-M8X50-8.8-A2L	HEX HEAD BOLTS		2	

LOWVOL
zn D20743

TB3S471040000K HOOD ASSEMBLY-3



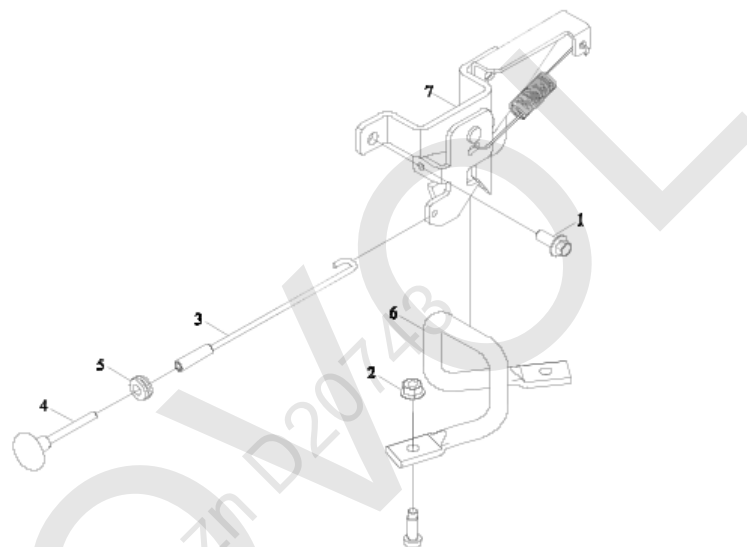
TB3S47104000K HOOD ASSEMBLY-3

No.	Part No.	Description	Version	QTY.	Remark
	TB3S47104000K	HOOD ASSEMBLY		1	
	TB3S471010001K	LOWER SIDE PLATE		1	
1	TS06471014002	RUBBER SLEEVE		4	
2	TS06471014003	PROCESS PLUG COVER		4	
3	TB3S471010002K	SIDE PLATE RIGHT LOWER		1	
4	GBT16674. 1-M8X25-8. 8-A2L	HEX FLANGE BOLTS		12	
5	GBT96. 1-8-A3L	LARGE WASHER		4	
6	TS04471024003K	FIXING SEAT WELDMENT RIGHT BACK UP		1	
7	GBT6177. 1-M8-8-A2L	HEXAGON FLANGE NUT		2	
8	TB3S471010005K	SIDE PLATE LEFT LOWER		1	
9	TS04471014004	FIXING SEAT WELDMENT RIGHT BACK LOWER		1	
10	TS04471024001K	FIXING SEAT WELDMENT LEFT BACK UP		1	
11	TS04471014002	FIXING SEAT WELDMENT LEFT BACK LOWER		1	

LOWVOL
zn D20743

TB1S473010000K LOCKING ASSEMBLY (HOOD)

LOWVOL
zn D20743

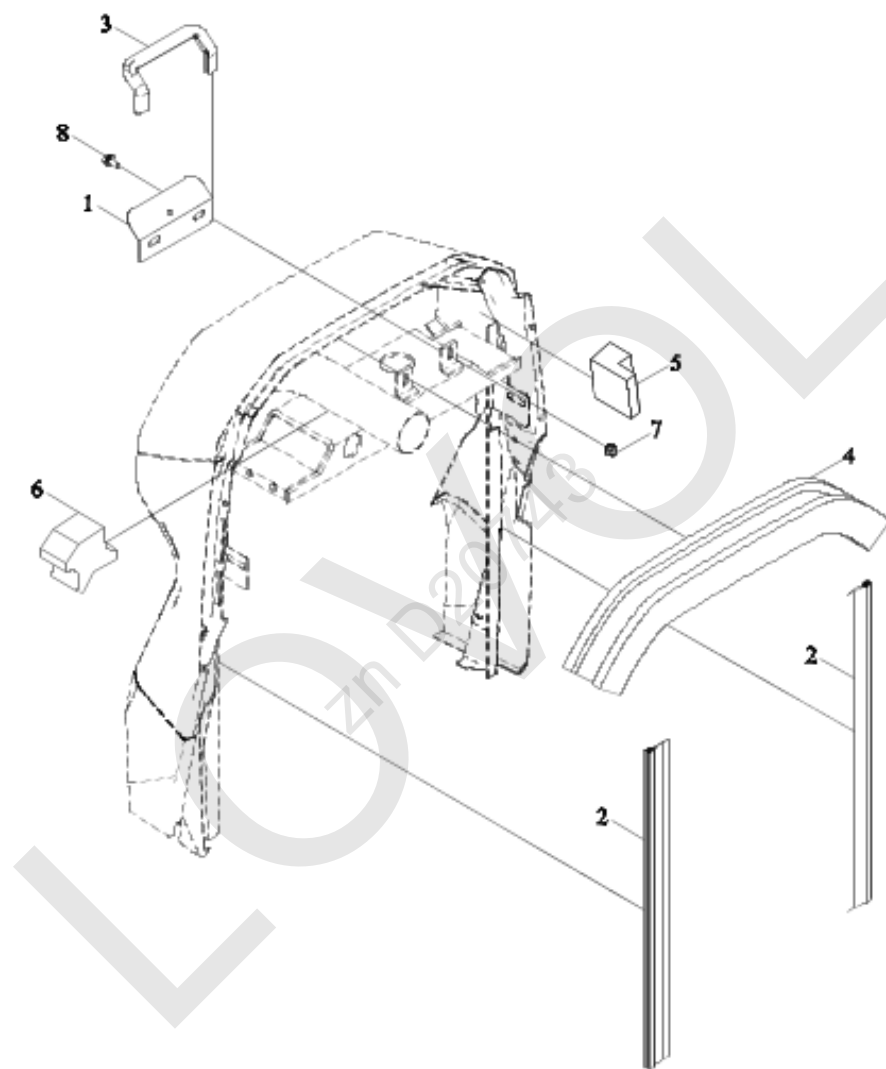


TB1S473010000K LOCKING ASSEMBLY (HOOD)

No.	Part No.	Description	Version	QTY.	Remark
	TB1S473010000K	BONNET LOCKING DEVICE ASSEMBLY		1	
1	GBT16674. 1-M8X20-8. 8-A2L	HEXAGON FLANGE NUT		3	
2	GBT6177. 1-M8-8-A2L	HEXAGON FLANGE NUT		2	
3	TB1S473010001K	PULL ROD WELDMENT		1	
4	TB1S473010002K	PULL ROD		1	
5	TB450. 473-02	RUBBER RING		1	
6	TS04473010015	LOCK BARREL		1	
7	TS06473010002	BONNET LOCK		1	

TB3S475020000K HOOD SEAL ASSEMBLY

LOWE
zn D20743

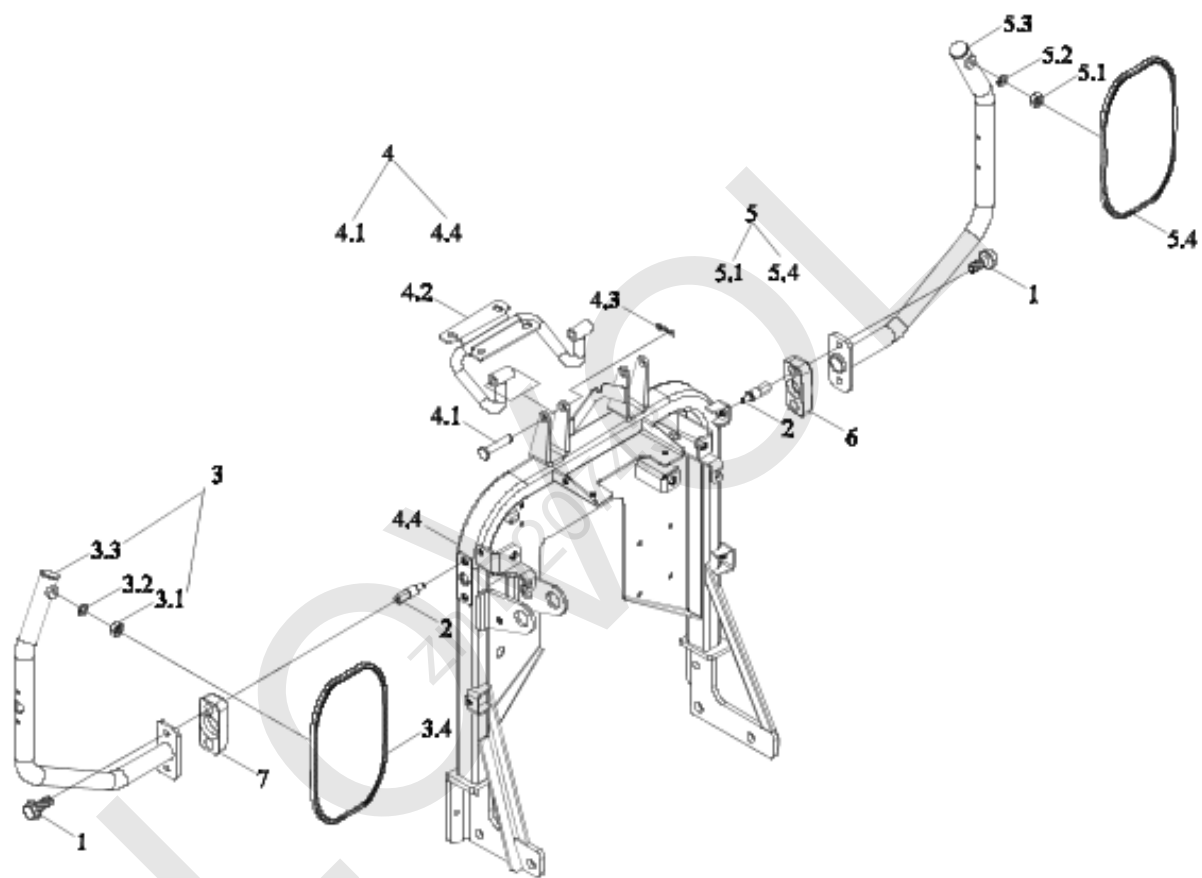


TB3S475020000K HOOD SEAL ASSEMBLY

No.	Part No.	Description	Version	QTY.	Remark
	TB3S475020000K	BONNET SEAL INSTALLATION ASSEMBLY	002	1	
1	TB3S475020001K	SEAL SPACER PLATE		1	
2	TS04475010005K	SEAL STRIP		2	
3	TB3S475020002K	SEAL STRIP		1	
4	TS04475030002	UP SEAL COTTON		1	
5	TS04475030001	SEAL COTTON		2	
6	TB3S475020003K	Sealing cotton on the left side of cover		1	
7	GBT6177. 1-M8-8-A2L	HEXAGON FLANGE NUT		2	
8	GBT16674. 1-M8X16-8. 8-A2L	HEX FLANGE BOLTS		2	

TE3C476030000 PORTAL FRAME ASSEMBLY

LOWLOL
zn D20743



TE3C476030000 PORTAL FRAME ASSEMBLY

No.	Part No.	Description	Version	QTY.	Remark
	TE3C476030000	GANTRY FRAME ASSEMBLY	001	1	
1	GBT5789-M8X25-8. 8-A2L	HEX FLANGE BOLTS		6	
2	TL02476030018a	BOLT		4	
3	TE3C476030001	LEFT REAR MIRROR ASSEMBLY		1	
3.1	GBT6170-M8-8-A2L	TYPE 1 HEX NUT		1	
3.2	GBT93-8-A3L	STANDARD SPRING WASHER		1	
3.3	TE3C476030003	LEFT REAR VIEW MIRROR BRACKET		1	
3.4	TB400. 456A. 3	REARVIEW MIRROR ASSEMBLY		1	
4	TL02476030055a	PORTAL FRAME MOUNTING WELDMENT		1	
4.1	GBT882-B10X50-A3L	PIN		2	
4.2	TL02471130003a	BONNET HINGE		1	
4.3	Q50110	LOCK PIN		2	
4.4	TL02476030001b	GANTRY WELDING		1	
5	TE3C476030002	RIGHT REAR MIRROR ASSEMBLY		1	
5.1	GBT6170-M8-8-A2L	TYPE 1 HEX NUT		1	
5.2	GBT93-8-A3L	STANDARD SPRING WASHER		1	
5.3	TE3C476030004	RIGHT REAR VIEW MIRROR BRACKET		1	
5.4	TB400. 456A. 3	REARVIEW MIRROR ASSEMBLY		1	
6	TE4S476010026	REAR MIRROR BOLT RIGHT SLEEVE		1	
7	TE4S476010025	REAR MIRROR BOLT LEFT SLEEVE		1	

TB1S482190000K WIRING HARNESS

LOWVOLT
zn D20743



TB1S482190000K WIRING HARNESS

No.	Part No.	Description	Version	QTY.	Remark
	TB1S482190000K	BODY HARNESS INSTALLATION ASSEMBLY	001	1	
1	GBT6177. 1-M6-8-A2L	HEXAGON FLANGE NUT		2	
2	GBT93-6-A3L	STANDARD SPRING WASHER		4	
3	GBT97. 1-6-A3L	FLAT WASHERS		4	
4	FT300. 48. 055	STARTING RELAY		1	
5	GBT5789-M6X16-8. 8-A2L	HEX FLANGE BOLTS		2	
6	TC03481040013	TWO-LOCK		1	
6. 1	TS04451014240	RIGHT DOOR OUT HANDLE		1	
6. 2	TB550. 482. 3	IGNITION LOCK		1	
6. 3	TS04451013240	LEFT DOOR OUT HANDLE		1	
7	TB3S482020001K	BODY HARNESS ASSEMBLY		1	
8	TS04482010002	ANTENNA		1	
9	TS04482150002	TWO GANG PADDLE SWITCH		1	
10	GBT93-5-A3L	STANDARD SPRING WASHER		2	
11	TB1S482020008K	3-GANG PADDLE SWITCH		1	
12	TB1S482050004K	FIVE ROCKER SWITCH		1	
13	TS04482010010	MP3 PLAYER		1	
14	RV03701000007	SWITCH OF NORMAL CLOSE		2	
15	GBT5789-M8X25-8. 8-A2L	HEX FLANGE BOLTS		3	
16	TB1S482190001K	CONTROL BOX		1	
17	TB3S482020005K	RPM SENSOR		1	
18	TS06482010005	HARNESS TIGHTEN CLIP		5	
19	GBT818-M6X20-4. 8-A2L	CROSS RECESSED PAN HEAD SCREWS		4	

TB1S482190000K WIRING HARNESS (cont'd.)

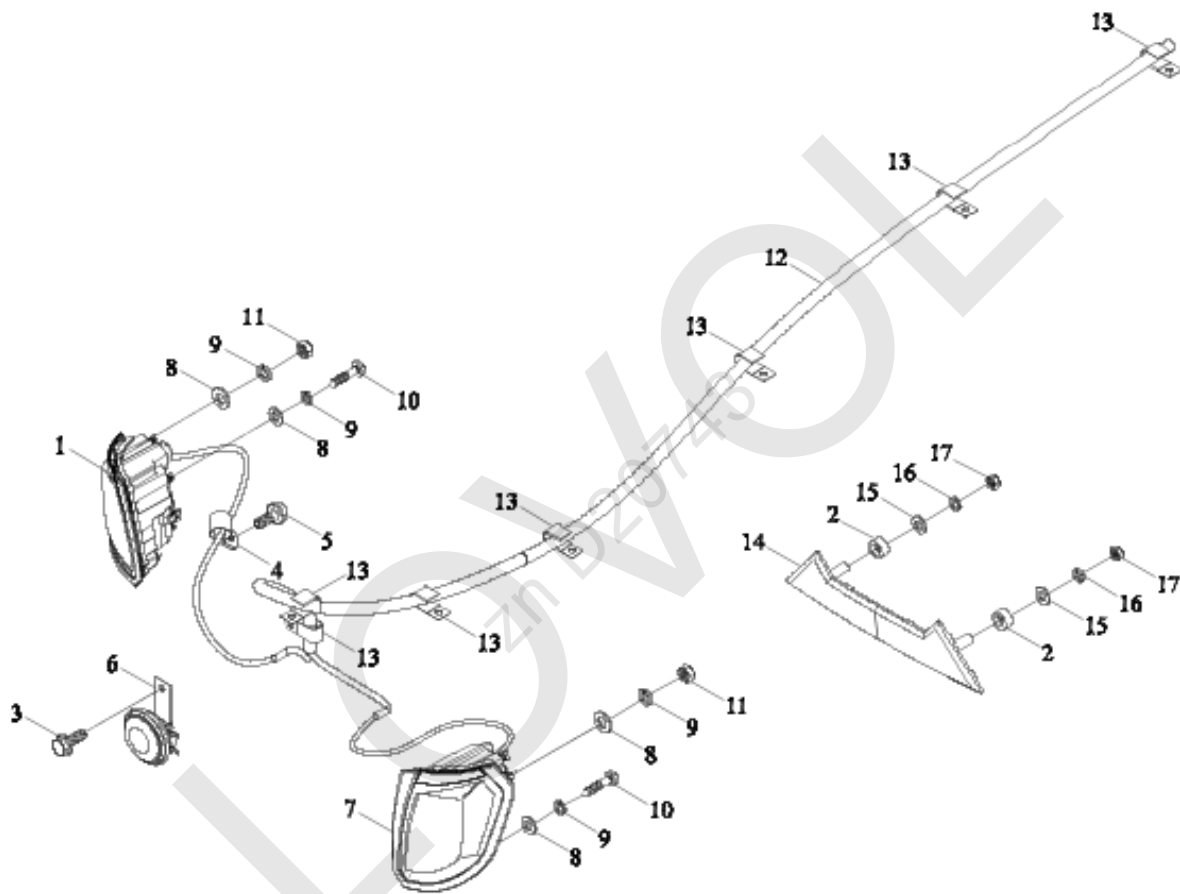
No.	Part No.	Description	Version	QTY.	Remark
20	TB3S482020002K	CENTRAL ELECTRICAL BOX ASSEMBLY		1	
20.1	GE20H16Y. 34. 6-04	MAIN POWER RELAY		1	
20.2	TC02482010003K	FUSE 10A		6	
20.3	FT300. 48. 513	ELECTRIC FLASH		1	
20.4	TC02482010007K	FUSE 7. 5A		1	
20.5	TC02482010002K	FUSE 5A		4	
20.6	TC02482010004K	FUSE 15A		4	
20.7	FT300. 48D. 2. 2. 2	PREHEATING RELAY		2	
20.8	TS04482050006K	FUSE		2	
20.9	TC02482010005K	FUSE 20A		2	
21	GBT5789-M6X12-8. 8-A2L	HEX FLANGE BOLTS		2	
22	GBT5789-M8X20-8. 8-A2L	HEX FLANGE BOLTS		4	
23	3203505D9-L	CABLE TIE		18	
24	Q67405200	PLASTIC FASTENING STRIP		3	
25	TS04482070004	RUBBER RING		1	
26	TS04482070005a	FIXING PLATE		1	
27	FT65. 48. 095	HARNESS FIXING CLAMP		2	
28	BZF0068-112	SWITCH		1	
29	GBT97. 1-5-A3L	FLAT WASHERS		2	
30	GBT818-M5X12-4. 8-A2L	CROSS RECESSED PAN HEAD SCREWS		2	
31	TG3S488010002	TIE		4	
32	TB1S482020005K	SWITCH		1	

TB1S482190000K WIRING HARNESS (cont'd.)

No.	Part No.	Description	Version	QTY.	Remark
33	JBT982-16	COMBINATION GASKET		1	
34	TB1S482020003K	STEERING LOWER PRESSURE ALARM SWITCH		1	
35	JBT982-10	COMBINATION GASKET		1	
36	TS04482010004	WATCH		1	
37	BZF0074-006	ELECTRONIC FOOT ACCELERATOR		1	
38	TD2C482020001	APPROACH SWITCH		1	
39	G20B20. 34. 9-02	MAGNETIC STEEL		1	
40	JBT982-18	COMBINATION GASKET		1	
41	GBT5789-M8X16-8. 8-A2L	HEX FLANGE BOLTS		3	
42	TB1S482010003	ELECTRIC CONTROL HAND THROTTLE		1	
43	TB1S482050003K	PTO TRANSITIONAL LINE ASSEMBLY		1	
44	TS04582010027	RUBBER RING		1	

TB1S483030000K WIRING HARNESS-FRONT

LOWELOW
zn D20743

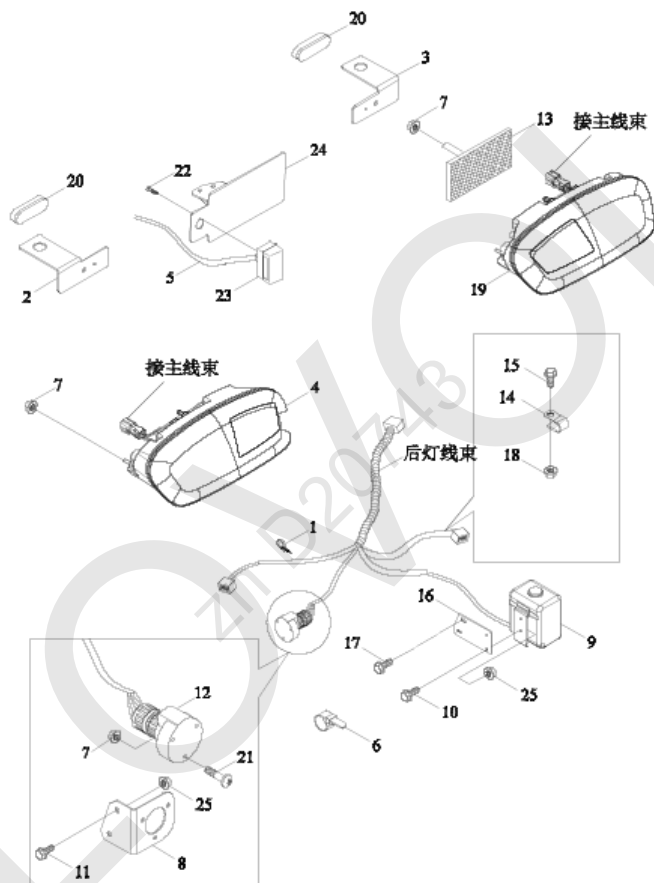


TB1S483030000K WIRING HARNESS-FRONT

No.	Part No.	Description	Version	QTY.	Remark
	TB1S483030000K	FRONT LAMP HARNESS INSTALLATION ASSEMBLY	001	1	
1	TS04483020002K	RIGHT FRONT BIG LAMP ASSEMBLY		1	
2	TS04483010007	WASHER		2	
3	GBT16674. 1-M8X16-8. 8-A2L	HEXAGON FLANGE NUT		2	
4	TS04481010006	HARNESS TIGHTEN CLIP		2	
5	GBT16674. 1-M6X16-8. 8-A2L	HEXAGON FLANGE NUT		1	
6	TB1S483030001K	ELECTRIC HORN		1	
7	TS04483020001K	LEFT FRONT BIG LAMP ASSEMBLY		1	
8	GBT97. 1-6-A3L	FLAT WASHER		8	
9	GBT93-6-A3L	STANDARD SPRING WASHER		8	
10	GBT818-M6X20-4. 8-A2L	CROSS SCREW		4	
11	GBT6170-M6-8-A2L	HEXAGON NUT, TYPE-1		4	
12	TB1S483010001K	FRONT LAMP HARNESS ASSEMBLY		1	
13	FT65. 48. 095	HARNESS TIGHTEN CLIP		8	
14	TS04483010005	ADORNING STRIP		1	
15	GBT97. 1-5-A3L	FLAT WASHER		2	
16	GBT93-5-A3L	STANDARD SPRING WASHER		2	
17	GBT6170-M5-8-A2L	HEXAGON NUT, TYPE-1		2	

TB1S484010000K WIRING HARNESS-REAR

LOWELOW
zn D20743



TB1S484010000K WIRING HARNESS-REAR

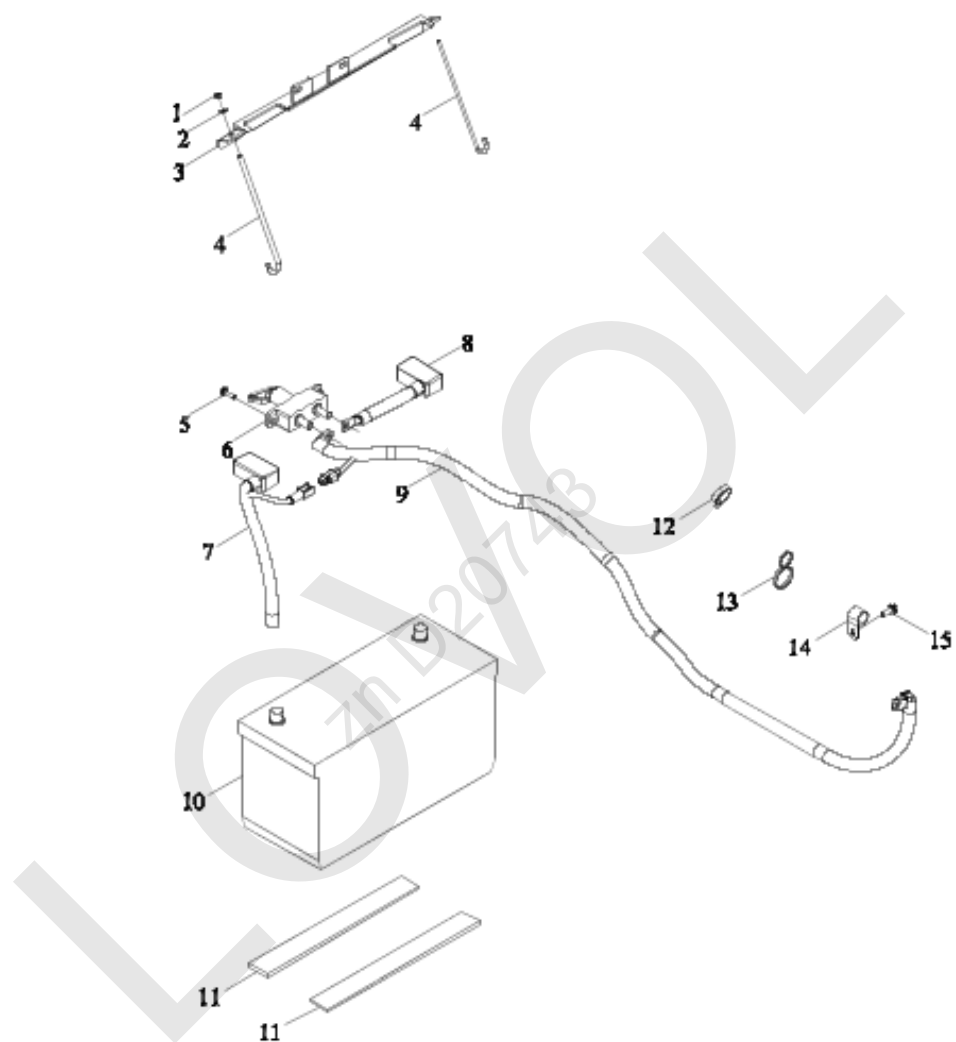
No.	Part No.	Description	Version	QTY.	Remark
	TB1S484010000K	REAR LAMP HARNESS INSTALLATION ASSEMBLY		1	
1	Q67405100	PLASTIC FASTENING STRIP		1	
2	TD800. 484B-01	REFLECTOR INSTALLATION PLATE LEFT		1	
3	TD800. 484B-02	REFLECTOR INSTALLATION PLATE RIGHT		1	
4	TS06484020001K	LEFT TAIL LAMP ASSEMBLY		1	
5	TC05484150006K	TRANSITION WIRE HARNESS ASSEMBLY		1	
6	3203505D9-L	TIE		1	
7	GBT6177. 1-M5-8-A2L	HEXAGON FLANGE NUT		7	
8	TS04484010004	TRAILER SOCKET INSTALLATION PLATE		1	
9	TS04484080002K	SYRINGE ASSEMBLY		1	
10	GBT16674. 1-M6X20-8. 8-A2L	HEXAGON FLANGE NUT		2	
11	GBT16674. 1-M6X45-8. 8-A2L	HEXAGON FLANGE NUT		2	
12	TD900. 484. 2	REAR TRAILER SOCKET		1	
13	TD800. 484B. 5	REFLECTOR ASSEMBLY		2	
14	FT65. 48. 095	HARNESS TIGHTEN CLIP		3	
15	GBT16674. 1-M8X20-8. 8-A2L	HEXAGON FLANGE NUT		4	
16	TS04484080001K	INSTALLATION PLATE		1	
17	GBT16674. 1-M8X45-8. 8-A2L	HEXAGON FLANGE NUT		2	
18	GBT6177. 1-M8-8-A2L	HEXAGON FLANGE NUT		4	
19	TS06484020002K	RIGHT TAIL LAMP		1	
20	TS06484020003K	REFLECTOR		2	
21	GBT818-M5X35-4. 8-A2L	CROSS SCREW		3	
22	GBT845-ST3. 5X16-A2L	SCREW		2	

TB1S484010000K WIRING HARNESS-REAR (cont'd.)

No.	Part No.	Description	Version	QTY.	Remark
23	TA700.484A.2.1	LICENSELAMP		1	
24	TB1S484010001K	NAMEPLATE LAMP BRACKET WELDMENT		1	
25	GBT6177.1-M6-8-A2L	HEXAGON FLANGE NUT		4	

TB3S485010000K BATTERY ASSEMBLY

LOWVOLT
zn D20743

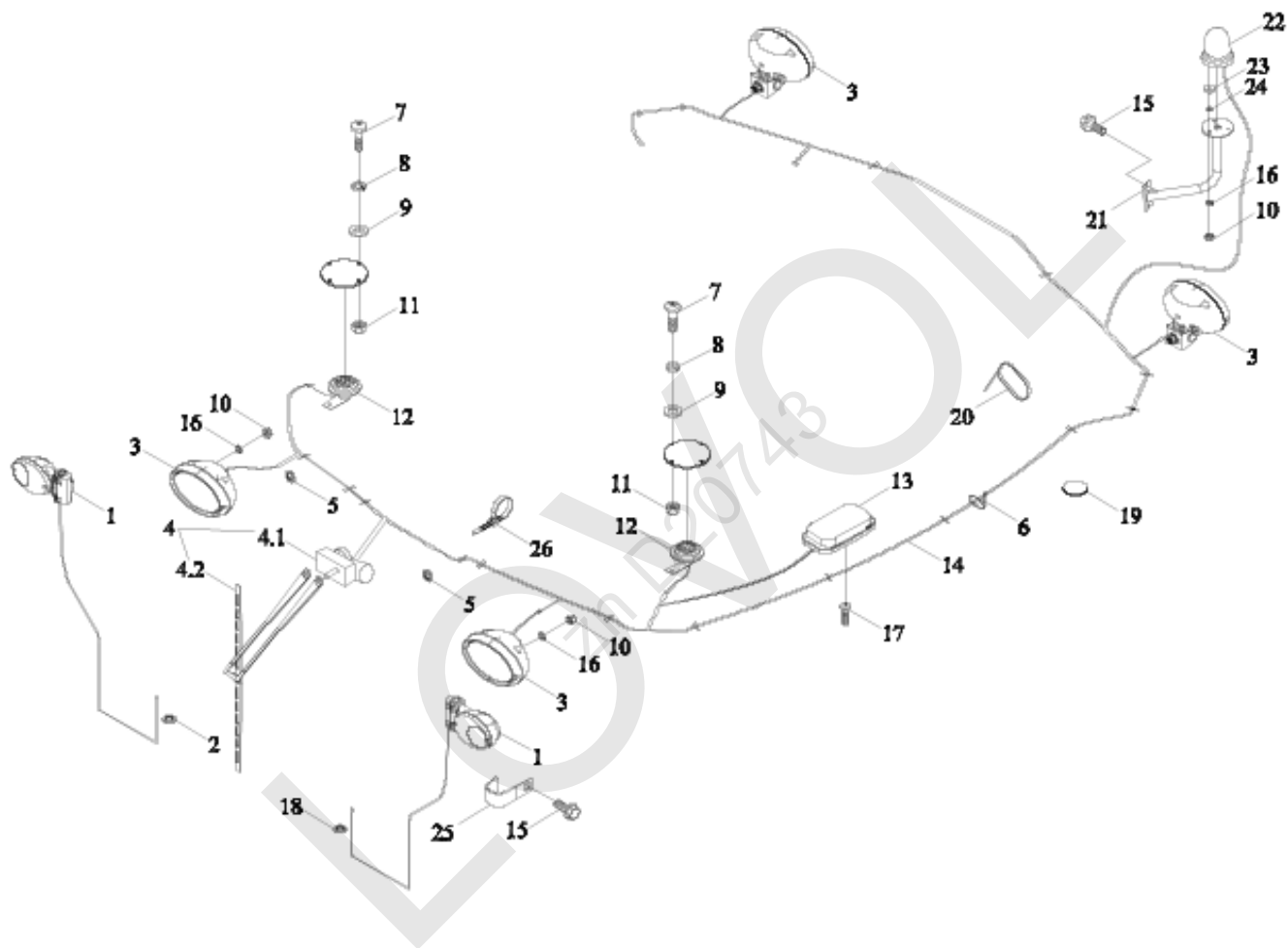


TB3S48501000K BATTERY ASSEMBLY

No.	Part No.	Description	Version	QTY.	Remark
	TB3S48501000K	BATTERY INSTALLATION ASSEMBLY	002	1	
1	GBT6170-M6-8-A2L	TYPE 1 HEX NUT		2	
2	GBT97. 1-6-A3L	FLAT WASHERS		2	
3	TB3S485010002K	PRESSURE PLATE WELDMENT		1	
4	TS04485010002	TIE ROD		2	
5	GBT16674. 1-M6X20-8. 8-A2L	HEX FLANGE BOLTS		2	
6	TC03485080003	POWER SWITCH		1	
7	TB3S485010001K	CONNECTING WIRE		1	
8	TB3S485010003K	BATTERY POSITIVE CABLE		1	
9	TB3S485010004K	POWER WIRE		1	
10	FT450. 48. 010	MAINTENANCE-FREE LEAD ACID BATTERY		1	
11	TB450. 485. 1	BATTERY SHOCK ABSORPTION MAT		2	
12	3203505D9-L	CABLE TIE		1	
13	TG3S488010002	TIE		1	
14	TC05485040005	HARNESS TIGHTEN CLIP		2	
15	GBT16674. 1-M8X20-8. 8-A2L	HEX FLANGE BOLTS		2	

TB1S486020000K WIRING HARNESS

LOWVOLT
zn D20743



TB1S486020000K WIRING HARNESS

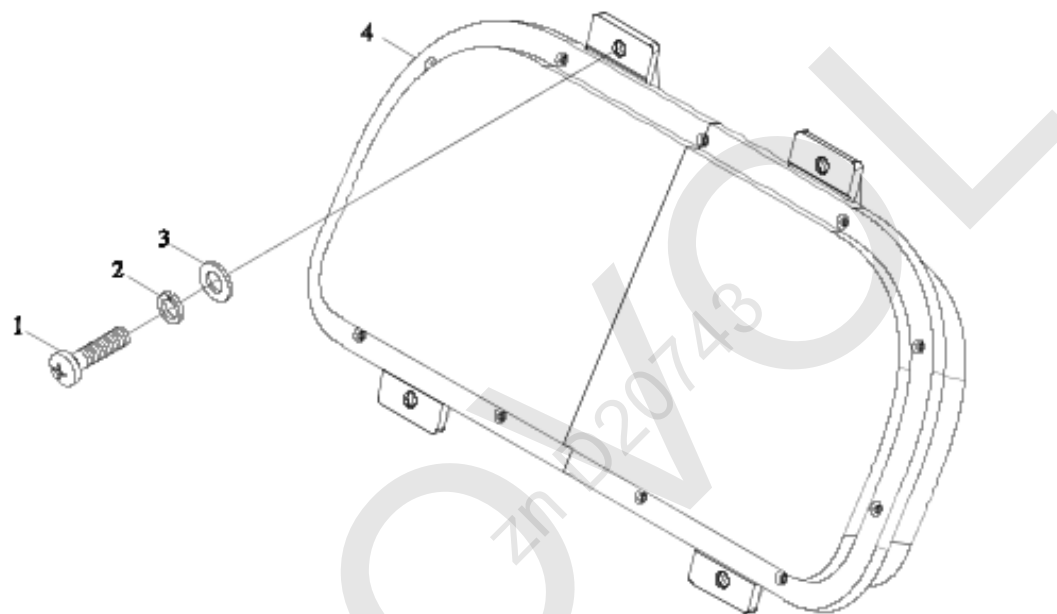
No.	Part No.	Description	Version	QTY.	Remark
	TB1S486020000K	TOP LIGHT HARNESS INSTALLATION ASSEMBLY	001	1	
1	TS06486010001K	RIGHT ARMREST LIGHT ASSEMBLY		2	
2	TS04486010010	RUBBER RING		1	
3	TS06486010003	TOP LIGHT ASSEMBLY		4	
4	TB1S486010001K	FRONT SCRAPER ASSEMBLY		1	
4.1	TB1S486010003K	FRONT SCRAPER MOTOR		1	
4.2	TK4860013000	FRONT SCRAPER ROD		1	
5	FT65. 48. 093	RUBBER RING-1		4	
6	3203505D9-L	CABLE TIE		10	
7	GBT818-M4X16-4. 8-A2L	CROSS RECESSED PAN HEAD SCREWS		8	
8	GBT93-4-A3L	STANDARD SPRING WASHER		8	
9	GBT97. 1-4-A3L	FLAT WASHERS		8	
10	GBT6170-M6-8-A2L	TYPE 1 HEX NUT		11	
11	GBT6170-M4-8-A2L	TYPE 1 HEX NUT		8	
12	TS04486010003	LOUDHAILER ASSEMBLY		2	
13	TS06486010006	INNER TOP LIGHT ASSEMBLY		1	
14	TS04486010009K	TOP LIGHT HARNESS ASSEMBLY		1	
15	GBT16674. 1-M8X20-8. 8-A2L	HEX FLANGE BOLTS		4	
16	GBT93-6-A3L	STANDARD SPRING WASHER		11	
17	GBT845-ST4. 8X16-A2L	CROSS RECESSED PAN HEAD TAPPING SCREWS		4	
18	TS04486010009	RUBBER RING		1	
19	QLWZL002-20X1. 0	3M GLUE PIECE		2	
20	Q67405200	PLASTIC FASTENING STRIP		3	

TB1S486020000K WIRING HARNESS (cont'd.)

No.	Part No.	Description	Version	QTY.	Remark
21	TS04486010003K	ALARM LIGHT BRACKET WELDMENT		1	
22	TS04486010002K	ROTATING ALARM LIGHT ASSEMBLY		1	
23	TG1204.486-01	RUBBER MAT		3	
24	GBT96.1-6-A3L	LARGE WASHER		3	
25	TS04481010006	HARNESS TIGHTEN CLIP		4	

TB3S48705000K INSTRUMENT CLUSTER

LOWVOLT
zn D20743

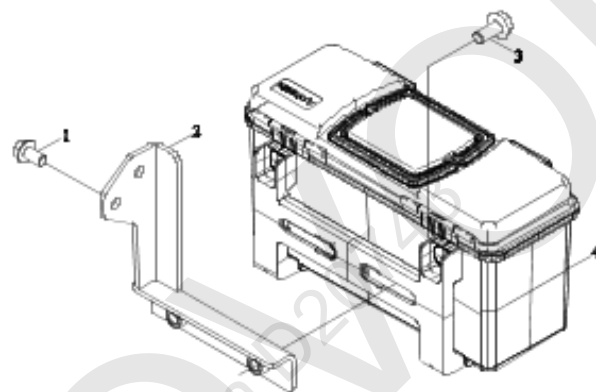


TB3S487050000K INSTRUMENT CLUSTER

No.	Part No.	Description	Version	QTY.	Remark
	TB3S487050000K	COMBINED INSTRUMENT ASSEMBLY	001	1	
1	GBT818-M6X16-4.8-A2L	CROSS RECESSED PAN HEAD SCREWS		4	
2	GBT93-6-A3L	STANDARD SPRING WASHER		4	
3	GBT96.1-6-A3L	LARGE WASHER		4	
4	TB3S487050001K	COMBINED INSTRUMENT ASSEMBLY		1	

TM3B490020000K TOOL BOX

LOWVOL
zn D20743

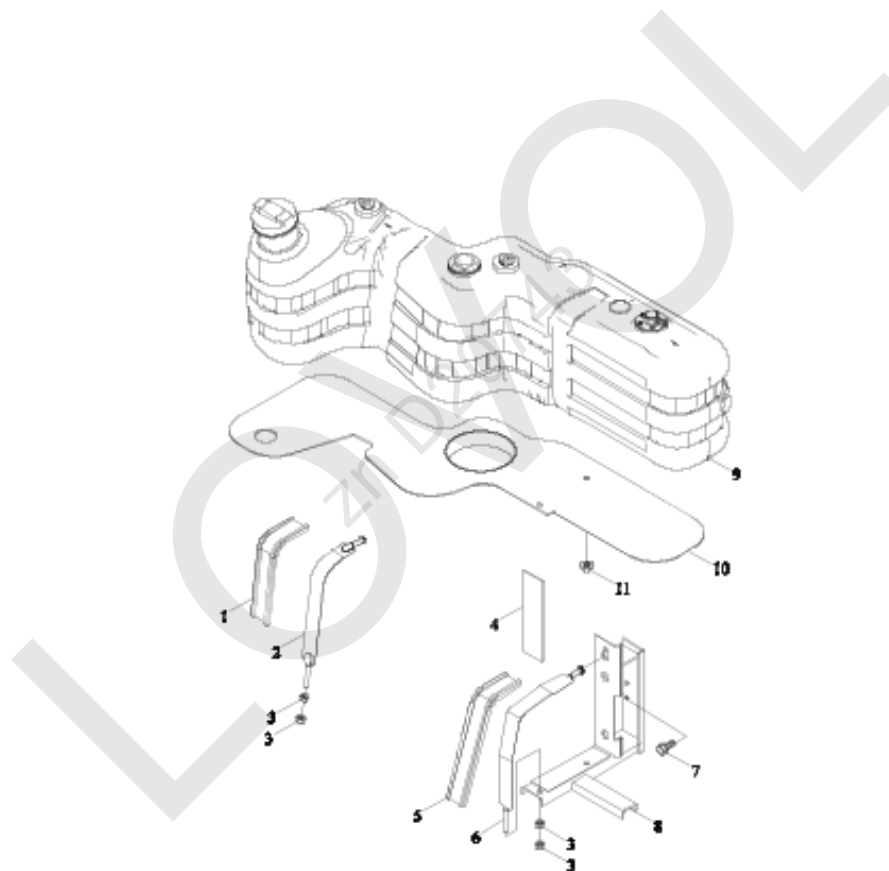


TM3B490020000K TOOL BOX

No.	Part No.	Description	Version	QTY.	Remark
	TM3B490020000K	TOOL BOX INSTALLATION ASSEMBLY	001	1	
1	GBT5789-M10X20-8.8-A3L	HEX FLANGE BOLTS		2	
2	TM3B490010001K	Kit mounting bracket welded		1	
3	GBT5789-M12X25-8.8-A3L	HEX FLANGE BOLTS		2	
4	TB1S490010001K	TOOLS BOX		1	

LOWVOLT
zn D20743

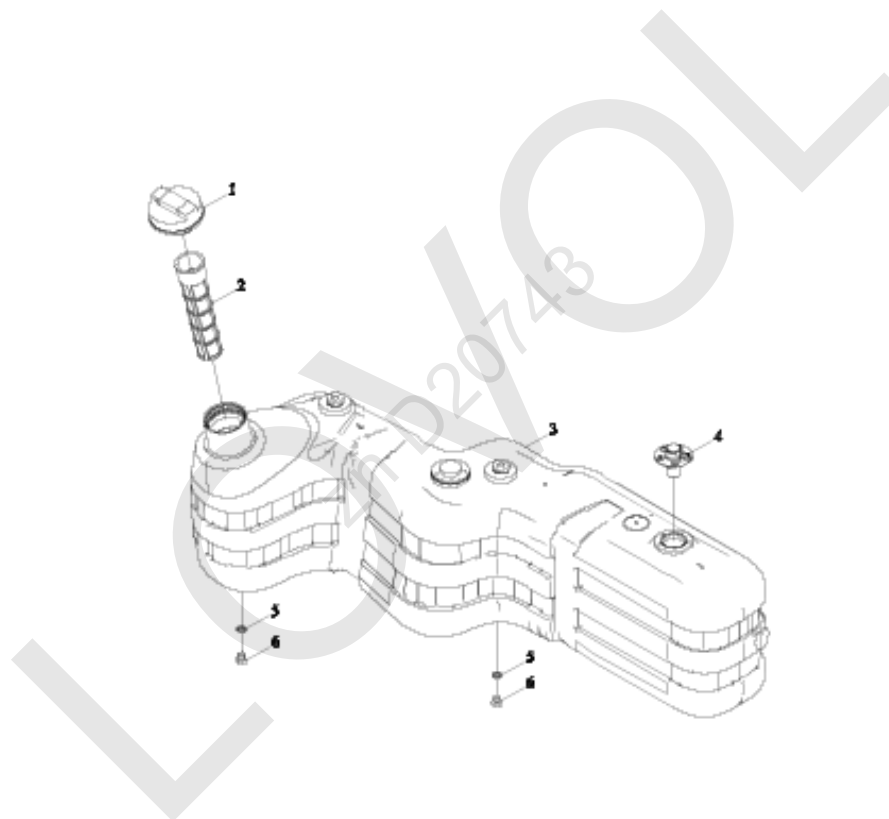
TB1S501040000K OIL TANK-1



TB1S501040000K OIL TANK-1

No.	Part No.	Description	Version	QTY.	Remark
	TB1S501040000K	OIL TANK INSTALLATION ASSEMBLY	001	1	
1	TS04501010009	TIE RUBBER STRIP		1	
2	TS04501010003	FRONT BAND WELDMENT		1	
3	GBT6170-M10-8-A3L	TYPE 1 HEX NUT		4	
4	TB604. 501-01	RUBBER MAT		1	
5	TB604. 501-02	TIE RUBBER STRIP		1	
6	TS04501010008	REAR FASTENING TIE WELDMENT		1	
7	GBT5789-M10X20-10. 9-A3L	HEX FLANGE BOLTS		2	
8	TS04501060006	REAR BRACKET WELDMENT		1	
9	TS04501060001a	OIL TANK ASSEMBLY		1	
10	TS04501060005	OIL TANK GUARD PLATE WELDMENT		1	
11	GBT6177. 1-M10-8-A3L	HEXAGON FLANGE NUT		1	

TB1S501040000K OIL TANK-2



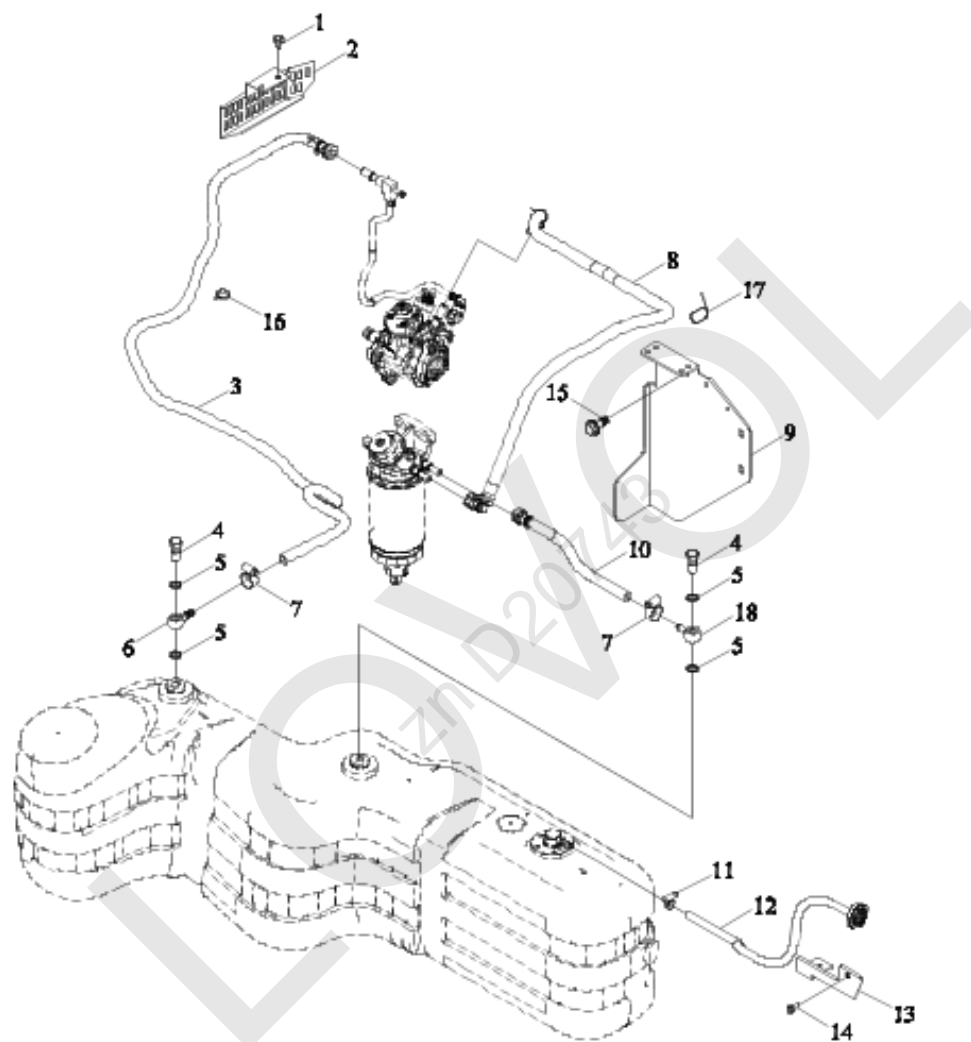
TB1S501040000K OIL TANK-2

No.	Part No.	Description	Version	QTY.	Remark
	TS04501060001a	OIL TANK ASSEMBLY		1	
	TB1S501040000K	OIL TANK INSTALLATION ASSEMBLY		1	
1	TS06501040014	FUEL TANK CAP		1	
2	TF1004. 501. 1-02	FILTER MESH		1	
3	TS04501060002	OIL TANK HOUSING		1	
4	TB3S501030006	BREATHER		1	
5	JBT982-12	COMBINATION GASKET		2	
6	Q617B12	HEXAGON PLUG		2	

LOWVOL
zn D20743

TB1S503060000K OIL CONVEYING PIPE ASSEMBLY

LOWVOL
zn D20743

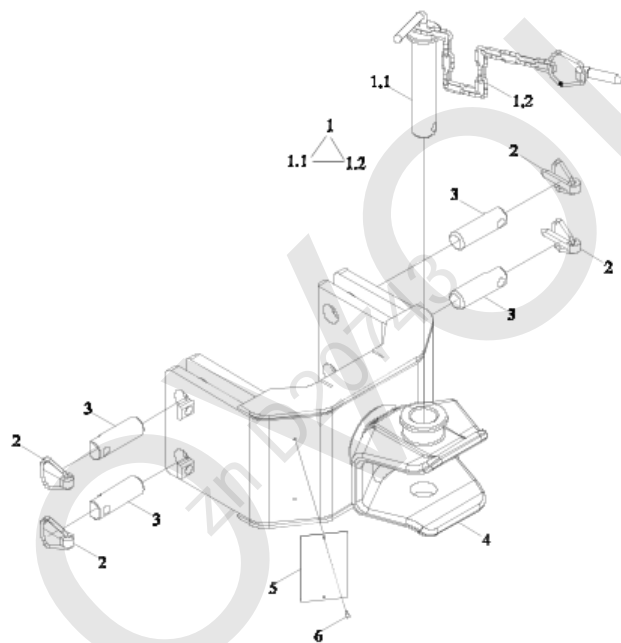


TB1S503060000K OIL CONVEYING PIPE ASSEMBLY

No.	Part No.	Description	Version	QTY.	Remark
	TB1S503060000K	OIL CONVEYING PIPE ASSEMBLY	002	1	
1	GBT5789-M8X12-8. 8-A2L	HEX FLANGE BOLTS		3	
2	TB3S503020007K	GUARD PLATE		1	
3	TB1S503060010K	TUBE, FUEL DRAIN		1	
4	BZF0004-003	HOLLOW BOLT		2	
5	JB982-14	COMBINATION GASKET		4	
6	FT800A. 50. 162	OIL PIPE JOINT		1	
7	Q67627	B TYPE WORM DRIVE TYPE HOSE HOOP		2	
8	TB1S503060005K	OIL INLET PIPE		1	
9	TB1S503060003K	BRACKET		1	
10	TB3S503020002K	OIL INLET PIPE		1	
11	Q67516	A TYPE WORM DRIVE TYPE HOSE HOOP		2	
12	TS04501060003	BREATH ASSEMBLY		1	
13	TS04501060004	BREATH BRACKET WELDMENT		1	
14	GBT5789-M6X16-8. 8-A2L	HEX FLANGE BOLTS		1	
15	GBT5789-M8X25-8. 8-A2L	HEX FLANGE BOLTS		2	
16	3203505D9-L	CABLE TIE		6	
17	Q67405200	PLASTIC FASTENING STRIP		9	
18	FT65. 37. 186	PIPE JOINT		1	

TB1S530010000K TOWING ADJUSTING

LOWVOL
zn D20743

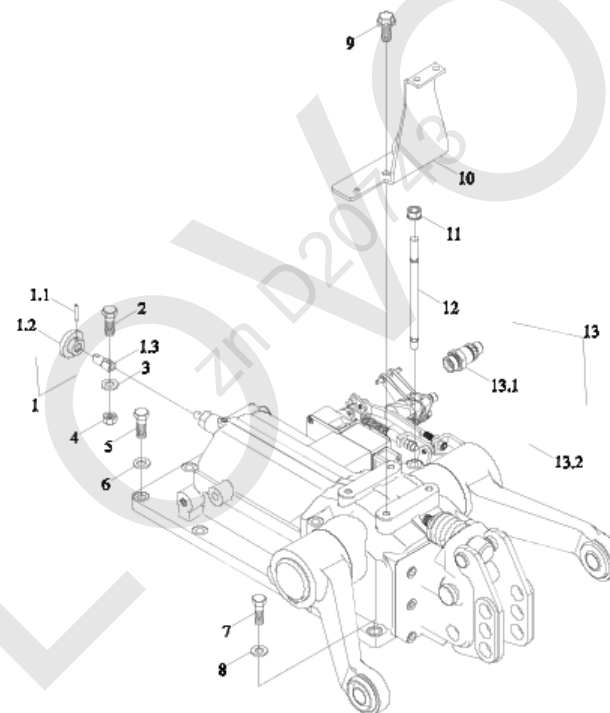


TB1S530010000K TOWING ADJUSTING

No.	Part No.	Description	Version	QTY.	Remark
	TB1S530010000K	TOW		1	
1	TA700.53C.1.3	TOWINGPINANDLOCKINGPINASSEMBLY		1	
1.1	TA700.53C.1.3.1	TOW PIN WELDMENT		1	
1.2	TD800.35A.1.1.1	LOCKING PIN AND CHAIN ASSEMBLY		1	
2	FT300.56.029	LOCK PIN ASSEMBLY		4	
3	TB1S530010008K	CONNECTING PIN		4	
4	TB1S530010001K	TOW MECHANISM ASSEMBLY WELDMENT		1	
5	TB1S530010010K	DRAG HANG THE AUTHENTICATION THE SIGN		1	
6	GBT827-3X8-A0P	LABEL RIVET		2	

LOWVOL
zn D20743

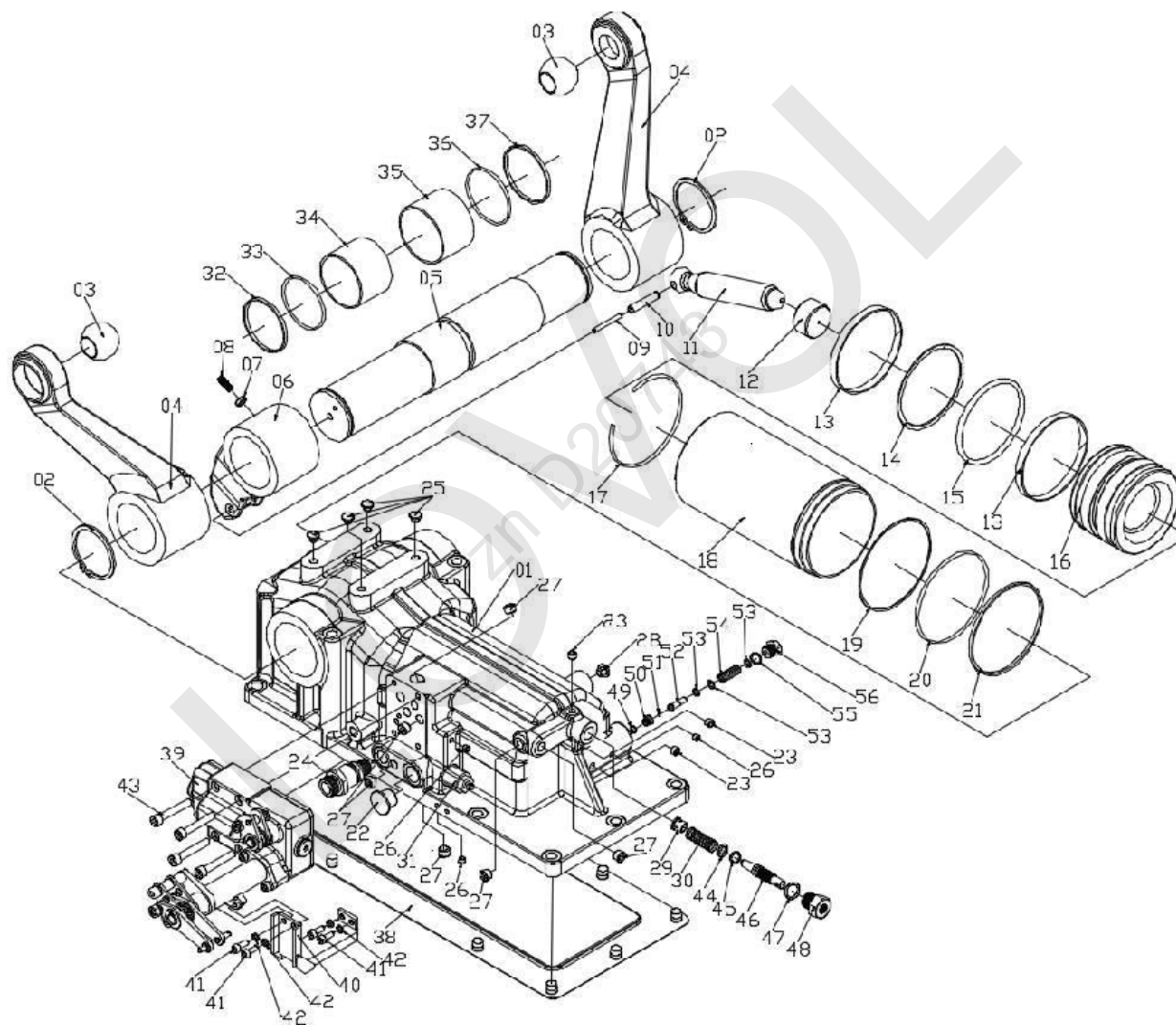
TB1S551020000 LIFTER ASSEMBLY-1



TB1S551020000 LIFTER ASSEMBLY-1

No.	Part No.	Description	Version	QTY.	Remark
	TB1S551020000	LIFTER DEVICE ASSEMBLY	001	1	
1	TB3C551010007	DESCENDING SPEED ADJUSTING HANDLE WHEEL		1	
1.1	GBT879.1-4X26	ELASTIC CYLINDRICAL PIN		1	
1.2	TC04582030028K	HANDLE WHEEL		1	
1.3	TB3C551010008	HANDLE WHEEL ROD		1	
2	GBT5783-M4X20-8.8-A2L	HEX HEAD BOLTS		1	
2	GBT97.1-4-A3L	FLAT WASHERS		1	
4	GBT6170-M4-8-A2L	TYPE 1 HEX NUT		1	
5	GBT5783-M12X40-10.9-A3L	HEX HEAD BOLTS		5	
6	TB404.312B-01	WASHER		5	
7	GBT5783-M14X40-10.9-A3L	HEX HEAD BOLTS		2	
8	TC04551010007K	WASHER 14		2	
9	GBT16674.1-M10X25-8.8-A3L	HEX FLANGE BOLTS		2	
10	TB3C551010002	FIXED PLATE WELDING		1	
11	SPL-C0-M12-10-F3	HEX FLANGE NUT		2	
12	GBT899-M12X180-10.9-A3L	STUD		2	
13	TB3C551010001	LIFTER ASSEMBLY		1	
13.1	TB1C551020002	FILTER MESH ASSEMBLY		1	
13.2	TB3C551010006	LIFTER ASSEMBLY		1	

TB1S551020000 LIFTER ASSEMBLY-2



TB1S551020000 LIFTER ASSEMBLY-2

No.	Part No.	Description	Version	QTY.	Remark
	TB3C551010001	LIFTER ASSEMBLY		1	
	601-103-0000-00	LIFTER ASSEMBLY		1	
1	601-103-1000-00	CASE		1	
2	GBT894. 1-65	CIRCLIP		2	
3	601-103-5010-00	JOINT BEARING		2	
4	601-103-1010-00	LIFTINGARM		2	
5	601-103-5020-00	LIFTING SHAFT		1	
6	601-103-1040-00	INNER ARM		1	
7	GBT6172. 1-M8	HEXAGON THIN NUT		1	
8	GBT79-M8X20	SCREW		1	
9	GBT879. 1-5X45	SPRING PIN		1	
10	GBT879. 1-8X45	SPRING PIN		1	
11	601-103-5030-00	PUSH ROD		1	
12	601-103-5180-00	PISTON BALL SEAT		1	
13	9. 5x2	FRICTION RING		2	
14	601-103-8080-00	RETAINER RING T2-P100		1	
15	1AP-100	O-RING		1	
16	601-103-1030-00	PISTON		1	
17	GBT895. 1-120	RETAINER RING 120		1	
18	601-103-5000-00	OILCYLINDERCANISTER		1	
19	601-103-8090-01	RETAINER RING T2-G115		1	
20	1AG-115	O-RING		1	
21	601-103-5240-00	WASHER		1	

TB1S551020000 LIFTER ASSEMBLY-2 (cont'd.)

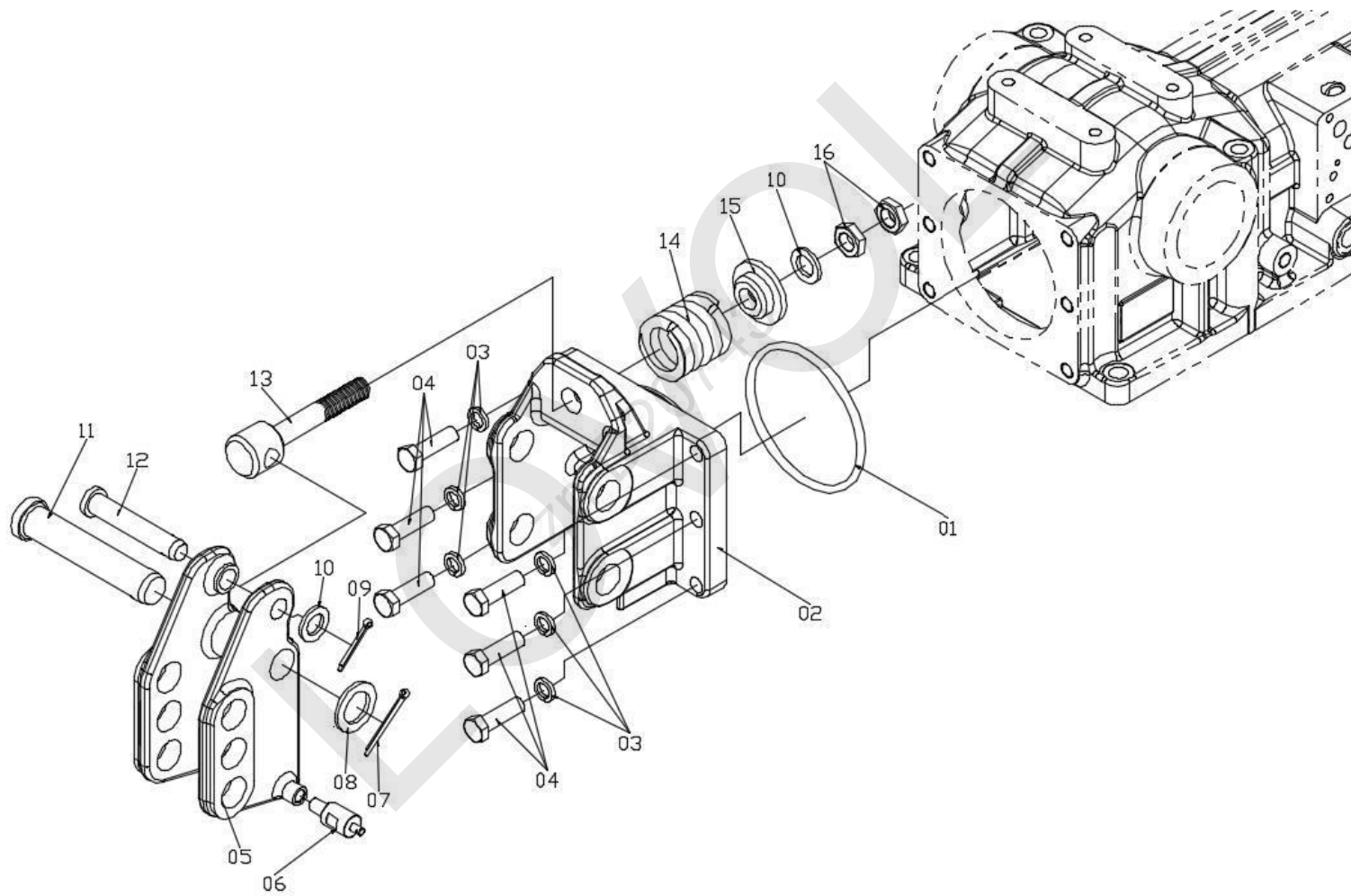
No.	Part No.	Description	Version	QTY.	Remark
22	NO-NUMBER	PLUG		1	
23	JBZQ4446-R1/8	PLUG		3	
24	601-301-0000-00	FILTER ASSEMBLY		1	
25	QJ554-1. 31. 213	M10 SHIELD		4	
26	JBZQ4447-NPT1/16	PLUG		3	
27	JBZQ4446-R1/4	PLUG		6	
28	QJ554. 31. 212	M12 SHIELD		1	
29	601-205-5030-00	CHECK VALVE		1	
30	601-205-6000-00	SPRING		1	
31	601-202-0000-00	RELIEF VALVE		1	
32	601-103-5040-00	RING 65		1	
33	1AG-65	O-RING		1	
34	ZOB6550	SLIDING BEARING		1	
35	ZOB7050	SLIDING BEARING		1	
36	1AG-70	O-RING		1	
37	601-103-5050-00	RING 70		1	
38	601-103-8050-00	PLATE		1	
39	601-103-9120-00	DISTRIBUTOR CONTROL ASSEMBLY		1	
40	601-103-2011-00	SUPPORT PLATE		1	
41	GBT70. 1-M6X16	HEXAGON SOCKET HEAD CAP SCREW		4	
42	GBT93-6	SPRING WASHER		4	
43	GBT70. 1-M8X50	HEXAGON SOCKET HEAD CAP SCREW		4	

TB1S551020000 LIFTER ASSEMBLY-2 (cont'd.)

No.	Part No.	Description	Version	QTY.	Remark
44	601-205-5040-00	FLAT WASHER		1	
45	1AP-10	O-RING		1	
46	601-205-5020-00	VALVE CORE		1	
47	1BP-16	O-RING		1	
48	601-205-5010-00	VALVE CAP		1	
49	1BS-12	O-RING		1	
50	601-203-5070-00	SEAL SEAT		1	
51	GBT308-3. 572	STEEL BALL		1	
52	601-203-5060-00	VALVE		1	
53	601-203-5080-00	ADJUSTING WASHER		3	
54	601-203-6010-00	SPRING		1	
55	1BS-07	O-RING		1	
56	601-203-5050-00	HEXAGON SCREW PLUG		1	

LOWVOL
zn D20743

TB1S551020000 LIFTER ASSEMBLY-3

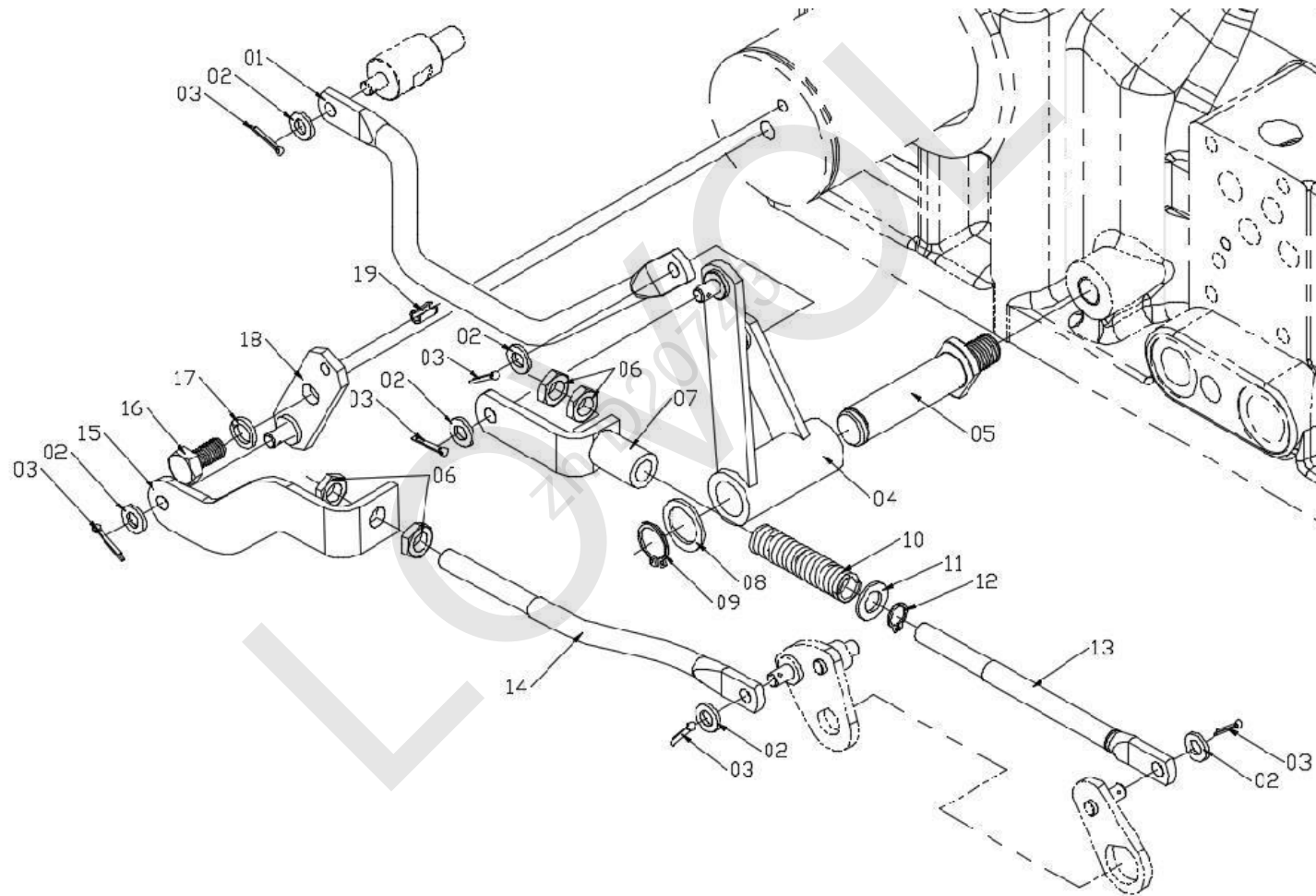


TB1S551020000 LIFTER ASSEMBLY-3

No.	Part No.	Description	Version	QTY.	Remark
1	1AP110	O-RING		1	
2	601-103-1020-00	UPPER PULL ROD SUPPORT SEAT		1	
3	GBT93-M12	SPRING WASHER		6	
4	GBT5783-M12X40-12.9	HEX HEAD BOLTS		6	
5	601-103-2000-00	FORCE ADJUST SEAT		1	
6	601-103-5400-00	PIN SHAFT A		1	
7	GBT91-4X45	COTTER PIN		1	
8	601-103-5150-00	WASHER		1	
9	GBT91-4X35	COTTER PIN		1	
10	601-103-5140-00	WASHER		2	
11	601-103-5130-00	PIN		1	
12	601-103-5160-00	FORCE ADJUST SPRING PIN		1	
13	601-103-5110-00	PIN		1	
14	601-103-6030-00	FORCE ADJUSTING SPRING		1	
15	601-103-5120-00	SPRING SUPPORT		1	
16	GBT6173-M16X1.5	HEXAGON NUT		2	

LOWVOL
zn D20743

TB1S551020000 LIFTER ASSEMBLY-4



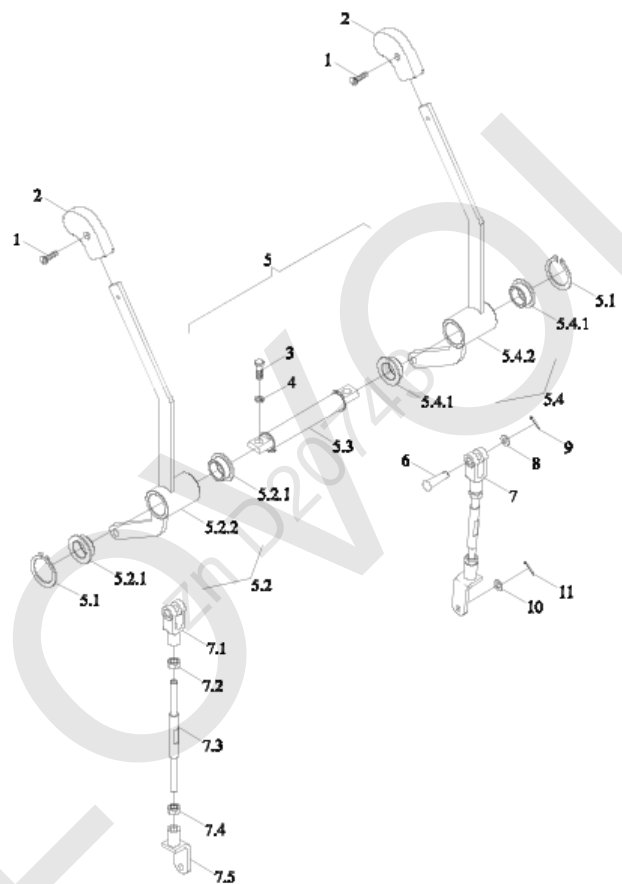
TB1S551020000 LIFTER ASSEMBLY-4

No.	Part No.	Description	Version	QTY.	Remark
1	601-103-2060-00	FORCE FEEDBACK ROD		1	
2	GBT97.1-6	WASHER		6	
3	GBT91-2X12	COTTER PIN		6	
4	601-103-2080-00	FORCE FEEDBACK CONNECTING PLATE		1	
5	601-103-5410-00	PIN SHAFT B		1	
6	GBT6172.1-M8	HEXAGON NUT		4	
7	601-103-2110-00	L CONNECTING PLATE		1	
8	601-103-5080-00	FLAT WASHER		1	
9	GBT894.1-15	CIRCLIP		1	
10	601-103-6020-00	FORCE FEEDBACK SPRING		1	
11	601-205-5040-00	FLAT WASHER		1	
12	GBT894.1-9	CIRCLIP		1	
13	601-103-5390-00	FORCE FEEDBACK PULL ROD		1	
14	601-103-2040-00	POSITION FEEDBACK PULL ROD		1	
15	601-103-2030-00	CONNECTING PLATE		1	
16	GBT5783-M8X20	HEX HEAD BOLTS		1	
17	GBT93-M8	SPRING WASHER		1	
18	601-103-2090-00	FEEDBACK PLATE		1	
19	GBT879.4-5X10	SPRING PIN		1	

LOWVOL
zn D20743

TB1S552030000 CONTROL ASSEMBLY (LIFTER)

LOWVOL
zn D20743



TB1S552030000 CONTROL ASSEMBLY (LIFTER)

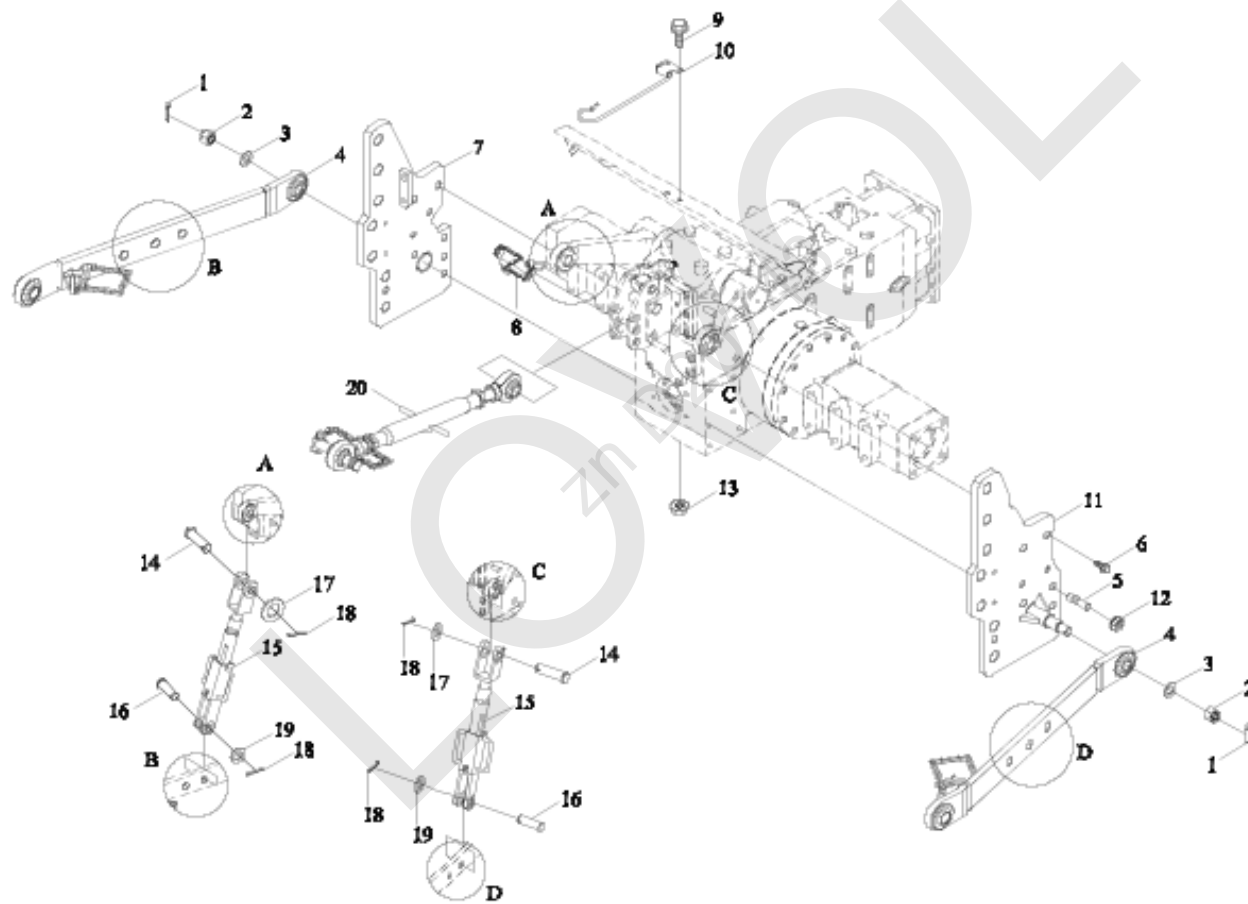
No.	Part No.	Description	Version	QTY.	Remark
	TB1S552030000	LIFTER OPERATION ASSEMBLY		1	
1	GBT68-M4X10-4.8-A2L	SLOTTED SCREW		2	
2	TB504.552-04	HANDLE HEAD		2	
3	GBT5783-M8X25-8.8-A2L	HEXAGON BOLT		2	
4	GBT93-8-AOP	STANDARD SPRING WASHER		2	
5	TB1S552030001	LIFTER CONTROL MECHANISM ASSEMBLY		1	
5.1	GBT894.1-20	CIRCLIP FOR SHAFT		2	
5.2	TB1S552030005	LIFTER CONTROL PRESSURE UNIT 2		1	
5.2.1	TB704.58A.11.1-01	NYLON SLEEVE		2	
5.2.2	TB1S552030006	LIFTER OPERATION ASSEMBLY 2		1	
5.3	TS04552010001	FIXING SHAFT		1	
5.4	TB1S552030002	LIFTER CONTROL PRESSURE UNIT 1		1	
5.4.1	TB704.58A.11.1-01	NYLON SLEEVE		2	
5.4.2	TB1S552030003	LIFTER OPERATION ASSEMBLY 1		1	
6	GBT882-B8X30-AOP	PIN SHAFT		2	
7	TB3S552030011	ADJUSTING ROD		2	
7.1	TB504.552D.3-03	RIGHT REVOLVING CONNECTING FORK		1	
7.2	GBT6170-M8-8-A2L	HEXAGON NUT, TYPE-1		1	
7.3	TB3S552030012	CONTROL PULL ROD		1	
7.4	GBT6170-M8-LH-8-A2L	HEXAGON NUT, TYPE-1		1	
7.5	TB3S552030014	LEFT REVOLVING PULL ROD FORK		1	
8	GBT97.1-8-A3L	FLAT WASHER		2	
9	GBT91-3.2X16-AOP	SPLIT PIN		2	

TB1S552030000 CONTROL ASSEMBLY (LIFTER) (cont'd.)

No.	Part No.	Description	Version	QTY.	Remark
10	GBT97. 1-6-A3L	FLAT WASHER		2	
11	GBT91-1. 6X12-A0P	SPLIT PIN		2	

LOWVOL
zn D20743

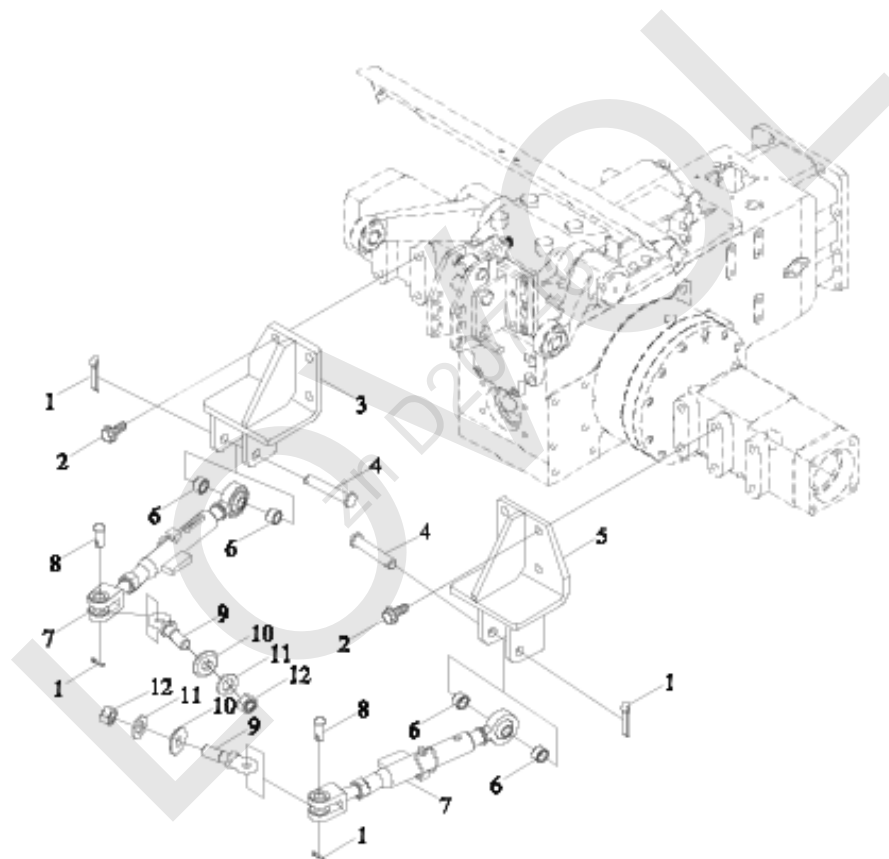
TB1S560010000K SUSPENSION ASSEMBLY-1



TB1S560010000K SUSPENSION ASSEMBLY-1

No.	Part No.	Description	Version	QTY.	Remark
	TB1S560010000K	SUSPENSION ASSEMBLY	003	1	
1	GBT91-4X36-A3L	SPLIT PIN		2	
2	GBT6178-M20-8-A9L	HEXAGON SLOTTED NUT, STYLE 1		2	
3	GBT97. 1-20-A3L	FLAT WASHER		2	
4	TS04561010008	LOWER PULL ROD ASSEMBLY		2	
5	GBT898-AM16-M16X1. 5X45-10. 9-A3 L	DOUBLE END STUDS		6	
6	GBT5789-M16X40-10. 9-A3L	HEXAGON FLANGE NUT		10	
7	TB1S560010001K	LEFT SUPPORT PLATE		1	
8	TS04561010001a	UPPER PULL ROD FRONT CONNECTING PIN ASSEMBLY		1	
9	GBT5789-M8X20-8. 8-A2L	HEXAGON FLANGE NUT		2	
10	TS04561010006	UPPER PULL ROD FIXED CLIP COMBINATION		1	
11	TB1S560010002K	RIGHT SUPPORT PLATE		1	
12	SPL-CO-M16X1. 5-10-F3	HEXAGON NUT		6	
13	GBT6177. 1-M8-8-A2L	HEXAGON FLANGE NUT		2	
14	FT500A. 56. 101	LIFTING ROD UPPER CONNECTING PIN		2	
15	TS04561010010	LIFTING ROD ASSEMBLY		2	
16	FT300. 56A. 112	LIFTING ROD LOWER CONNECTING PIN		2	
17	FT500A. 56. 118	WASHER		2	
18	GBT91-5X40-A3L	SPLIT PIN		4	
19	GBT97. 1-24-A3L	FLAT WASHER		2	
20	FT500A. 56. 011a	UPPER PULL ROD ASSEMBLY		1	

TB1S560010000K SUSPENSION ASSEMBLY-2

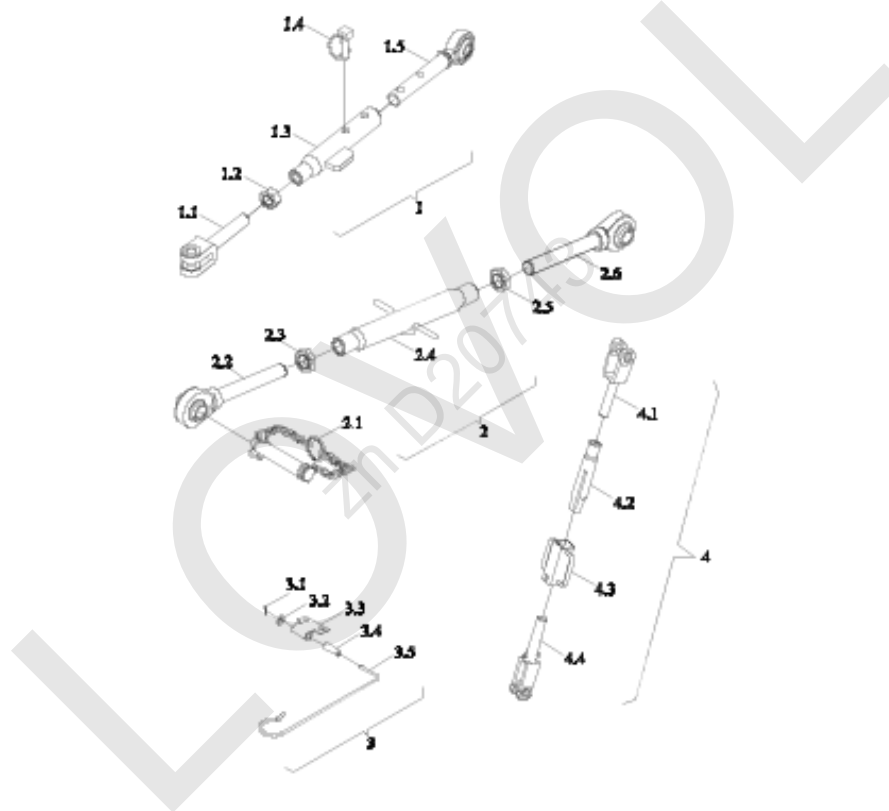


TB1S560010000K SUSPENSION ASSEMBLY-2

No.	Part No.	Description	Version	QTY.	Remark
	TB1S560010000K	SUSPENSION ASSEMBLY		1	
1	GBT91-5X32-A3L	SPLIT PIN		4	
2	GBT5789-M16X40-10.9-A3L	HEXAGON FLANGE NUT		10	
3	TB404.56.2	LEFT LIMITING ROD BRACKET WELDMENT		1	
4	FT300.56A.102	LIMITING ROD CONNECTING PIN		2	
5	TB404.56.3	RIGHT LIMITING ROD BRACKET WELDMENT		1	
6	FT300.56A.103	BUSH		4	
7	FT300.56A.016a	LIMIT ROD ASSEMBLY		2	
8	GBT882-B18X55-A3L	PIN SHAFT		2	
9	FT300.56A.110a	LIMITING ROD REAR CONNECTING PIN		2	
10	FT300.56A.111a	CIRCULAR PLATE		2	
11	GBT93-20-A3L	STANDARD SPRING WASHER		2	
12	GBT6170-M20-8-A9L	HEXAGON NUT, TYPE-1		2	

LOWVOL
zn D20743

TB1S560010000K SUSPENSION ASSEMBLY-3



TB1S560010000K SUSPENSION ASSEMBLY-3

No.	Part No.	Description	Version	QTY.	Remark
	TB1S560010000K	SUSPENSION ASSEMBLY		1	
1	FT300.56A.016a	LIMIT ROD ASSEMBLY		2	
1.1	FT300.56A.161	LIMITING ROD ADJUSTING SCREW		1	
1.2	GBT6170-M22-8-A9L	HEXAGON NUT, TYPE-1		1	
1.3	FT300.56A.022a	EXTENSIBLE GUIDE PIPE WELDMENT		1	
1.4	FT300.56A.023	LIMITING ROD LOCK PIN ASSEMBLY		1	
1.5	FT300.56A.021a	EXTENSIBLE ROD BALL ASSEMBLY		1	
2	FT500A.56.011a	UPPER PULL ROD ASSEMBLY		1	
2.1	FT65.56.015	UPPER PULL ROD LOCK PIN ASSEMBLY		1	
2.2	FT500A.56.024	UPPER PULL ROD REAR ADJUSTING ROD ASSEMBLY		1	
2.3	GBT6171-M27X2-LH-8-A3L	HEXAGON NUT, TYPE-1		1	
2.4	FT500A.56.027	ADJUSTING SCREW WELDMENT		1	
2.5	GBT6171-M27X2-8-A3L	HEXAGON NUT, TYPE-1		1	
2.6	FT500A.56.026	UPPER PULL ROD FRONT ADJUSTING ROD ASSEMBLY		1	
3	TS04561010006	UPPER PULL ROD FIXED CLIP COMBINATION		1	
3.1	GBT91-2X14-A3L	SPLIT PIN		1	
3.2	GBT96.1-6-A3L	BIG WASHER		1	
3.3	TE300.56.6-01	FIXING SEAT		1	
3.4	TE300.56.6-03	NYLON BUSH		1	
3.5	TS04561010007	UPPER PULL ROD FIXING CLIP		1	
4	TS04561010010	LIFTING ROD ASSEMBLY		2	
4.1	TB400.56E.1-01	LIFTING ROD UPPER CONNECTING FORK		1	
4.2	TS04561010011	ADJUSTING SCREW WELDMENT		1	

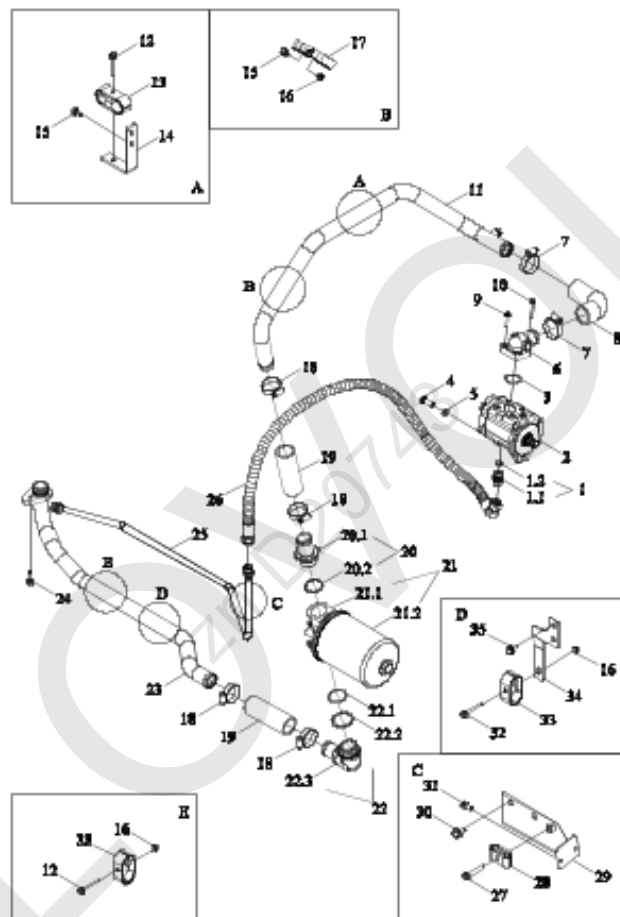
TB1S560010000K SUSPENSION ASSEMBLY-3 (cont'd.)

No.	Part No.	Description	Version	QTY.	Remark
4.3	TB400.56E.1.2	ADJUSTING SLEEVE WELDMENT		1	
4.4	TB400.56E.1.3	LOWER CONNECTING FORK		1	

LOWLOL
zn D20743

TB1S58107000K OIL PUMP-PIPE-FILTER ASSEMBLY

LOWVOL
zn D20743



TB1S581070000K OIL PUMP-PIPE-FILTER ASSEMBLY

No.	Part No.	Description	Version	QTY.	Remark
	TB1S581070000K	OIL PUMP/PIPE/FILTER ASSEMBLY	002	1	
1	TS06582130048	END STRAIGHT THREAD CONNECTOR BODY		1	
1.1	GBT3733-L15	STRAIGHT THREAD JOINT		1	
1.2	TS09580010006	O-RING 15. 3X2. 2-M18X1. 5		1	
2	TB1S581070016K	DOUBLE PUMP		1	
3	GBT3452. 1-34. 5X2. 65G	O-RING RUBBER SEAL FOR HYDRAULIC AND PNEUMATIC		1	
4	GBT5783-M10X30-8. 8-A3L	HEX HEAD BOLTS		2	
5	TB3S581040030K	WASHER		2	
6	TB3S581040003K	SUCTION FLANGE		1	
7	Q67650	B TYPE WORM DRIVE TYPE HOSE HOOP		2	
8	TE3S581010013K	OIL SUCTION HOSE		1	
9	GBT16674. 1-M6X30-8. 8-A2L	HEX FLANGE BOLTS		2	
10	GBT16674. 1-M6X45-8. 8-A2L	HEX FLANGE BOLTS		2	
11	TB1S581070010K	OIL SUCTION PIPE		1	
12	GBT5789-M8X55-8. 8-A2L	HEX FLANGE BOLTS		2	
13	TH04581010020	The tubing clip is cemented with the rubber pad 35-25		2	
14	TB1S581070009K	OIL PIPE BRACKET		1	
15	GBT5789-M8X16-8. 8-A2L	HEX FLANGE BOLTS		3	
16	GBT6177. 1-M8-8-A2L	HEXAGON FLANGE NUT		3	
17	BZF0032. 1-007	FASTENING CLIP		2	
18	Q67645	B TYPE WORM DRIVE TYPE HOSE HOOP		4	
19	TC03581210009	OIL SUCTION RUBBER HOSE 1		2	

TB1S581070000K OIL PUMP-PIPE-FILTER ASSEMBLY (cont'd.)

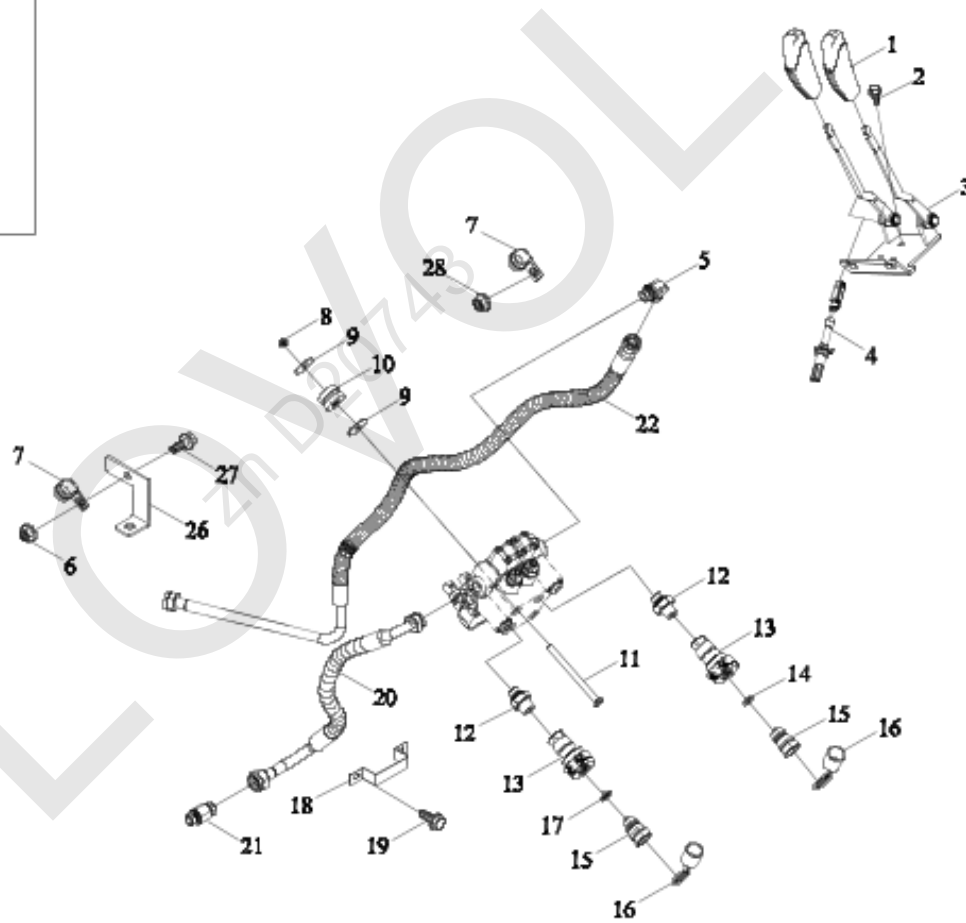
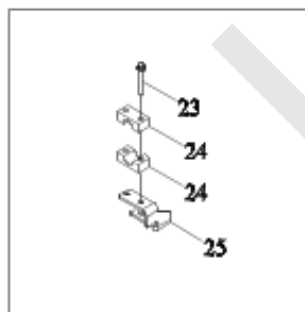
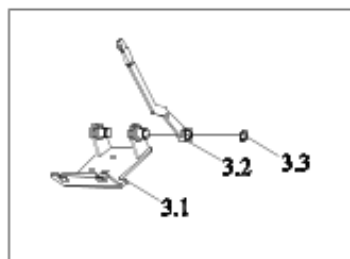
No.	Part No.	Description	Version	QTY.	Remark
20	TE2S581010019K	ED STRAIGHT JOINT		1	
20.1	TE2S581010010K	STRAIGHT THREAD JOINT		1	
20.2	TE2S581010018K	ED sealing joint rubber gasket M42X2		1	
21	TB1S581010017K	FILTER ASSEMBLY		1	
21.1	TB1S581010019K	SEAT		1	
21.2	TB1S581010018K	OIL SUCTION FILTER ELEMENT		1	
22	TB1S581010008K	PIPE JOINT		1	
22.1	TS09580010012	38.6 X2.9 - M42X2 o-ring		1	
22.2	TB1S581010006K	WASHER		1	
22.3	TB1S581010007K	Connector		1	
23	TB1S581070011K	OIL SUCTION PIPE ASSEMBLY		1	
24	GBT5789-M8X25-8.8-A2L	HEX FLANGE BOLTS		1	
25	TB1S581070013K	OIL OUTLET PIPE		1	
26	TB1S581070012K	OIL OUTLET HOSE		1	
27	GBT5789-M8X35-8.8-A2L	HEX FLANGE BOLTS		1	
28	TB3S403010002K	OIL PIPE CLAMP AND RUBBER WASHER		2	
29	TB1S581070008K	FILTER SUPPORT (MACHINED)		1	
30	GBT5789-M12X20-8.8-A3L	HEX FLANGE BOLTS		2	
31	GBT5789-M8X20-8.8-A2L	HEX FLANGE BOLTS		2	
32	GBT5789-M8X60-8.8-A2L	HEX FLANGE BOLTS		1	
33	TS06581190013	OIL PIPE CLAMP AND RUBBER WASHER		4	

TB1S581070000K OIL PUMP-PIPE-FILTER ASSEMBLY (cont'd.)

No.	Part No.	Description	Version	QTY.	Remark
34	TB1S581070014K	OIL PIPE BRACKET		1	
35	GBT5789-M10X20-8.8-A2L	HEX FLANGE BOLTS		2	

LOWVOL
zn D20743

TB3S582110000K OIL PIPE ASSEMBLY (MULTI-WAY VALVE) -1



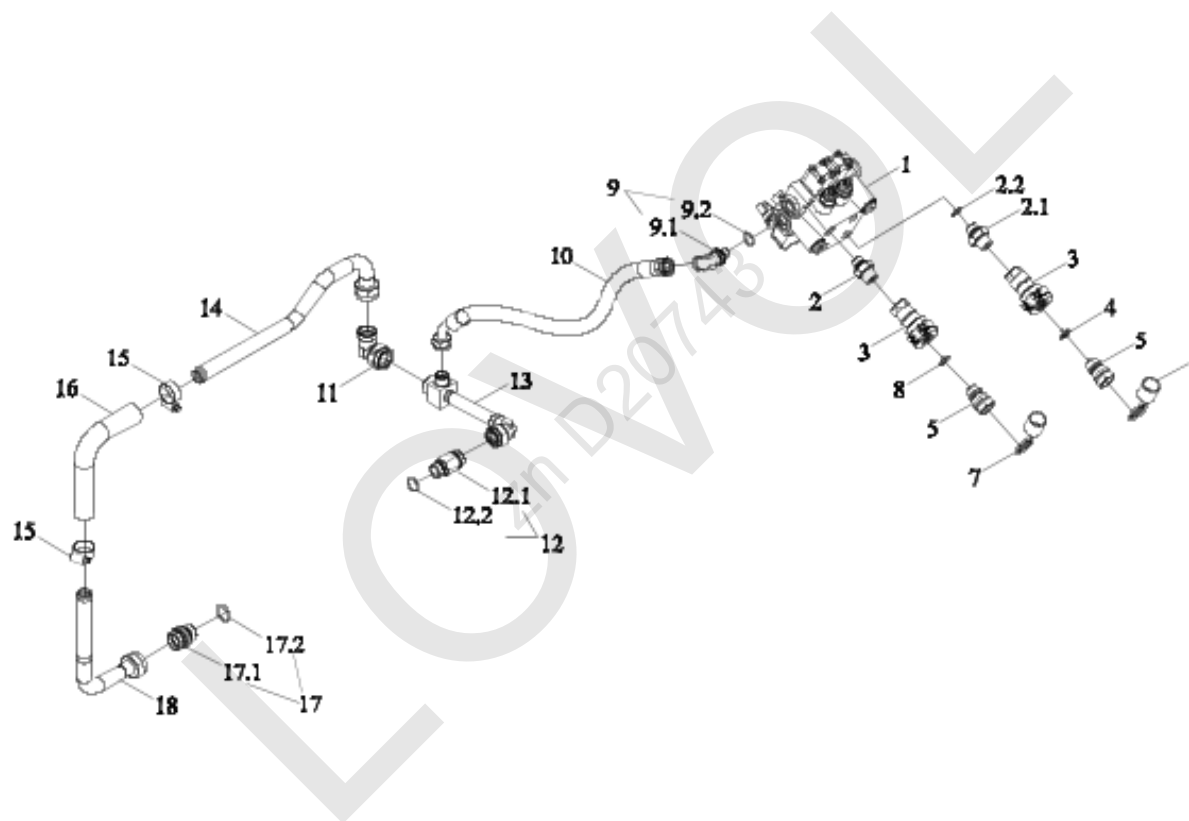
TB3S582110000K OIL PIPE ASSEMBLY (MULTI-WAY VALVE) -1

No.	Part No.	Description	Version	QTY.	Remark
	TB3S582110000K	MULTI-WAY VALVE OIL PIPE ASSEMBLY	001	1	
1	TS04582010025	HANDLE HEAD		2	
2	GBT5789-M8X20-8. 8-A2L	HEX FLANGE BOLTS		3	
3	TB3S582280001	MULTI-WAY VALVE CONTROL MECHANISM INSTALLATION ASSEMBLY		1	
3.1	TB3S582280005	INSTALLATION SEAT WELDMENT		1	
3.2	TB3S582280004	CONTROL HANDLE WELD		2	
3.3	GBT894. 1-14	RETAINING RING FOR SHAFT		2	
4	TB3S582030056	SOFT SHAFT MECHANISM ASSEMBLY		2	
5	TC04582140012	CONNECTING JOINT M18-15		2	
6	GBT6177. 1-M10-8-A3L	HEXAGON FLANGE NUT		1	
7	TS12473020007	PIPE CLAMP		2	
8	GBT6177. 1-M6-8-A2L	HEXAGON FLANGE NUT		3	
9	TL02582330021	LARGE WASHER		6	
10	TB1S582010025K	MULTI-WAY VALVE SHOCK ABSORPTION GASKET BLOCK		3	
11	GBT5782-M6X80-8. 8-A2L	HEX HEAD BOLTS		3	
12	TC04582140009	THROUGH JOINT		4	
13	TB1S582010020K	JOINT		4	
14	TB1S582010004K	DUSTPROOF COVER R-		1	
15	FT354. 58A. 032	JOINT		4	
16	TC02580010003K	DUSTPROOF COVER		2	
17	TB1S582010005K	DUSTPROOF COVER B+		1	
18	TS06582010004	LIMIT PLATE		1	

TB3S582110000K OIL PIPE ASSEMBLY (MULTI-WAY VALVE) -1 (cont'd.)

No.	Part No.	Description	Version	QTY.	Remark
19	GBT5789-M6X12-8.8-A2L	HEX FLANGE BOLTS		2	
20	TB1S582010030K	OIL INLET RUBBLE HOSE		1	
21	TL02582240001	STRAIGHT THREAD JOINT L15-M22X1.5		1	
22	TB3S582060001K	OIL INLET RUBBLE HOSE		1	
23	GBT5789-M6X50-8.8-A2L	HEX FLANGE BOLTS		2	
24	TS06402290034	SINGLE HOLE PIPE CLAMP 22		2	
25	TB3S582060003K	OIL PIPE BRACKET		1	
26	TB1S582010001K	SUPPORT		1	
27	GBT5789-M10X20-8.8-A3L	HEX FLANGE BOLTS		1	
28	GBT6177.1-M8-8-A2L	HEXAGON FLANGE NUT		1	

TB3S582110000K OIL PIPE ASSEMBLY (MULTI-WAY VALVE) -2



TB3S582110000K OIL PIPE ASSEMBLY (MULTI-WAY VALVE) -2

No.	Part No.	Description	Version	QTY.	Remark
	TB3S582110000K	MULTI-WAY VALVE OIL PIPE ASSEMBLY		1	
1	TC04582140010	MULTI-WAY VALVE ASSEMBLY		1	
2	TC04582140009	THROUGH JOINT		4	
2.1	TC04582140007	STRAIGHT PIPE JOINT BODY		1	
2.2	TS09580010006	O-RING 15. 3X2. 2-M18X1. 5		1	
3	TB1S582010020K	JOINT		4	
4	TB1S582010003K	DUSTPROOF COVER R+		1	
5	FT354. 58A. 032	JOINT		4	
6	TC02580010003K	DUSTPROOF COVER		2	
7	FT354. 58A. 302	DUSTPROOF COVER		2	
8	TB1S582010006K	DUSTPROOF COVER B-		1	
9	TC04582140012	CONNECTING JOINT M18-15		2	
9.1	GBT3738-L15	JOINT		1	
9.2	TS09580010006	O-RING 15. 3X2. 2-M18X1. 5		1	
10	TB1S582010007K	OIL RETURN RUBBER HOSE ASSEMBLY		1	
11	GBT3754-L22	JOINT		1	
12	TB1S582010033K	END STRAIGHT THREAD CONNECTOR BODY M22-18		1	
12.1	TB1S582010034K	Ferrules, straight end, union L18-M22X1. 5		1	
12.2	TS09580010008	O-RING		1	
13	TB1S582010009K	LIFTER OIL OUTLET PIPE		1	
14	TB3S582060002K	OIL RETURN STEEL PIPE ASSEMBLY		1	
15	Q67632	B TYPE WORM DRIVE TYPE HOSE HOOP		2	
16	TB3S582060007K	OIL RETURN HOSE		1	

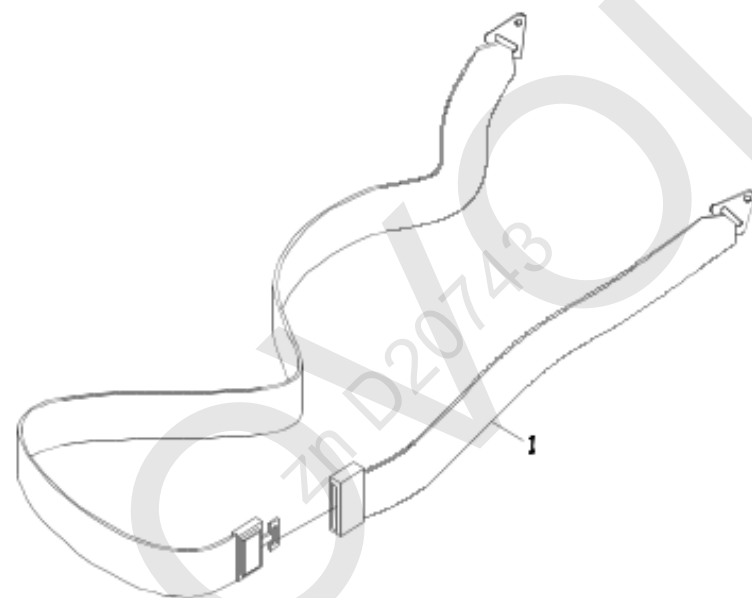
TB3S582110000K OIL PIPE ASSEMBLY (MULTI-WAY VALVE) -2 (cont'd.)

No.	Part No.	Description	Version	QTY.	Remark
17	TD924.582N.16	STRAIGHT THREAD JOINT		1	
17.1	GBT3733-L22	STRAIGHT THREAD JOINT		1	
17.2	TS09580010009	O-RING 23.6X2.9-M27X2		1	
18	TB3S582060005K	OIL RETURN PIPE ASSEMBLY		1	

LOWVOL
zn D20743

TE3S620010000K SAFETY BELT ASSEMBLY

LOWVOL
zn D20743

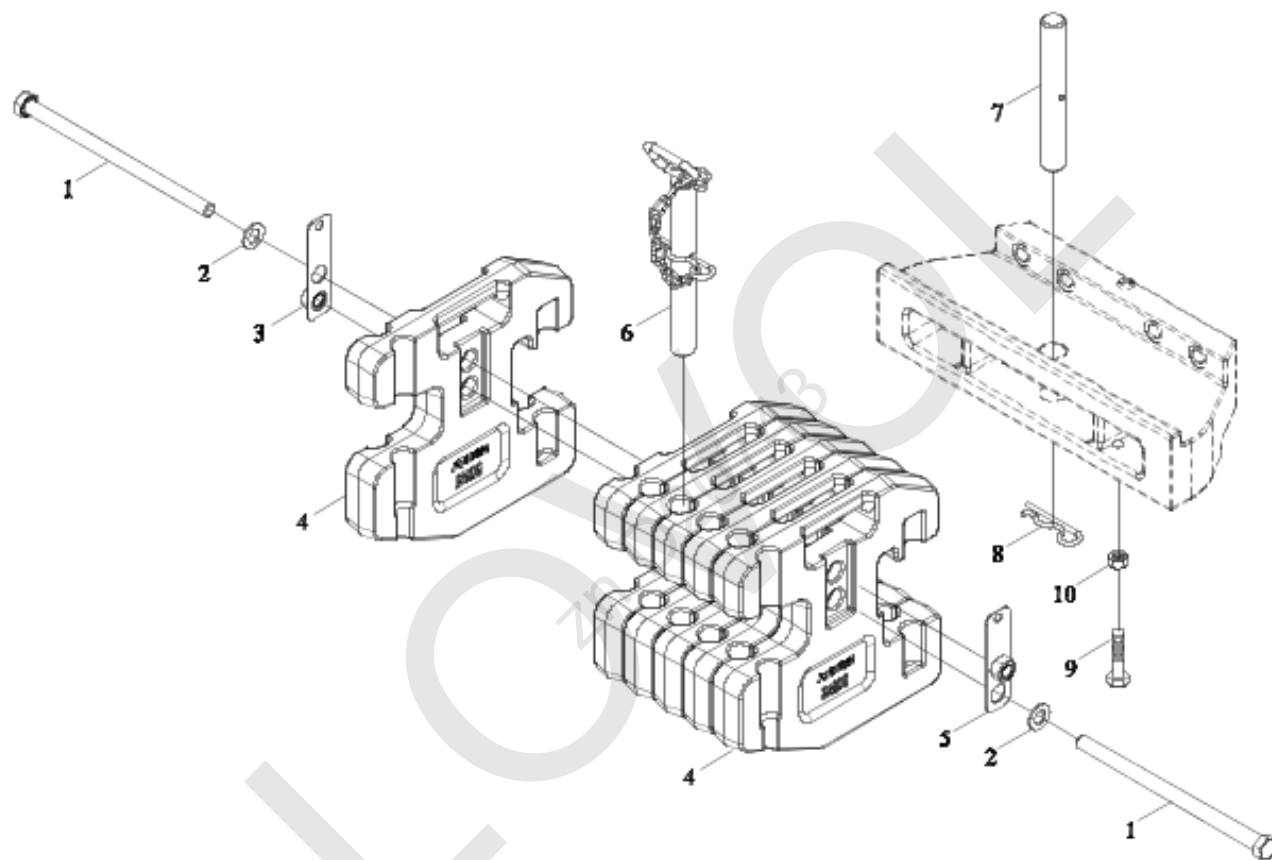


TE3S620010000K SAFETY BELT ASSEMBLY

No.	Part No.	Description	Version	QTY.	Remark
1	TE3S620010000K	SAFETY BELT INSTALLATION ASSEMBLY	002	1	
	TE3S620010000K	SAFETY BELT INSTALLATION ASSEMBLY		1	

TB3S74102000K COUNTERWEIGHT-FRONT

LOWLOL
zn D20743

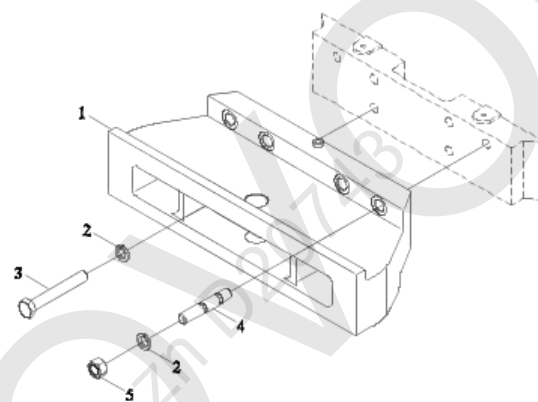


TB3S74102000K COUNTERWEIGHT-FRONT

No.	Part No.	Description	Version	QTY.	Remark
	TB3S74102000K	FRONT BALLAST ASSEMBLY	001	1	
1	TB1S741010010	CONNECTING BOLT		2	
2	GBT97. 1-18-A3L	FLAT WASHERS		2	
3	TB1S741010003	INSTALLATION PLATE-1		1	
4	TB3S741020001K	FRONT BALLAST BLOCK		6	
5	TB1S741010004	INSTALLATION PLATE-2		1	
6	TB1S741010006	TRACTION PIN		1	
7	TB1S741010002	CONNECTING PIN		1	
8	FT800. 35. 112	SPRING LOCK PIN		1	
9	GBT5783-M12X55-8. 8-A3L	HEX HEAD BOLTS		2	
10	GBT6170-M12-8-A3L	TYPE 1 HEX NUT		2	

TB3S742020000 SUPPORT-FRONT

LOWELOW
zn D20743

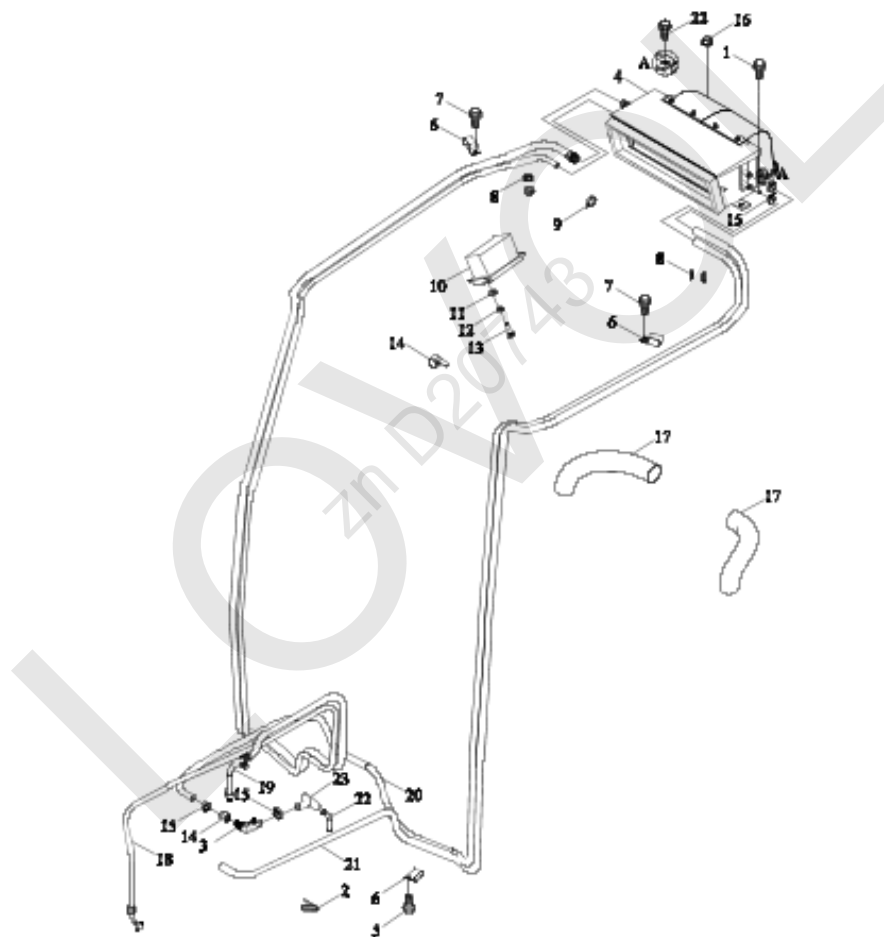


TB3S742020000 SUPPORT-FRONT

No.	Part No.	Description	Version	QTY.	Remark
	TB3S742020000	FRONT BALLAST BRACKET ASSEMBLY	001	1	
1	TB3S742020001	FRONT BALLAST BRACKET		1	
2	GBT93-16-A3L	STANDARD SPRING WASHER		6	
3	GBT5782-M16X110-8.8-A3L	HEX HEAD BOLTS		2	
4	GBT899-AM16-M16X70-8.8-A3L	STUD		4	
5	GBT6170-M16-8-A3L	TYPE 1 HEX NUT		4	

LOWVOL
zn D20743

TB1S811010000K AIR CONDITIONING SYSTEM (CAB) -1



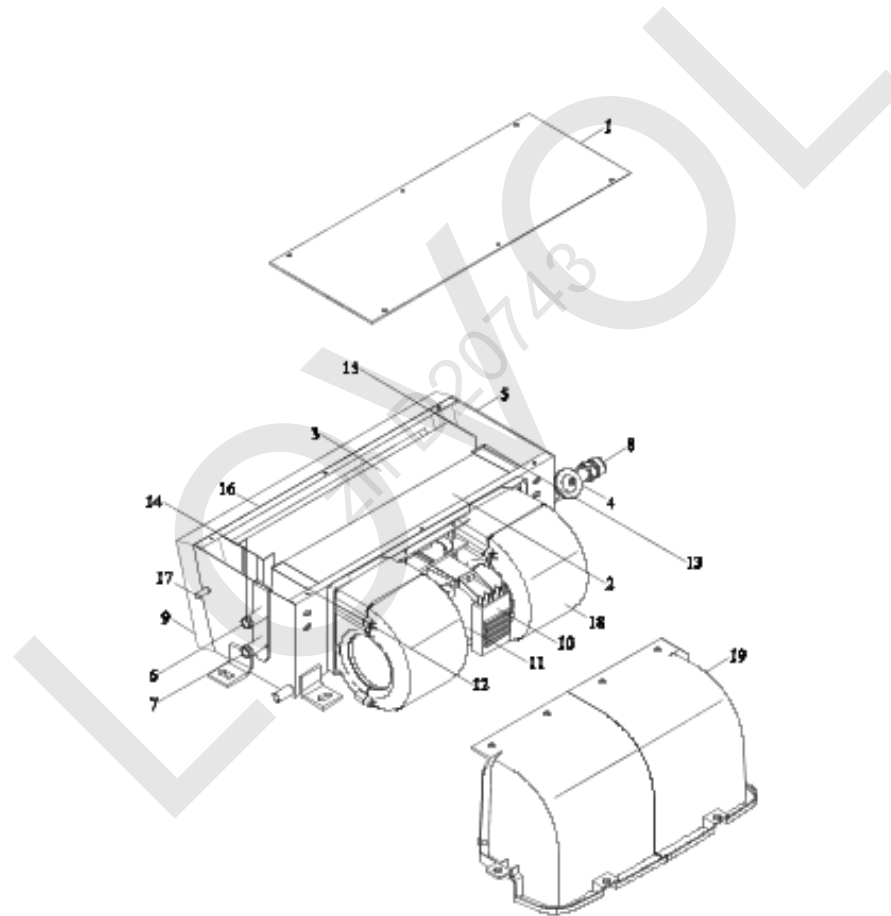
TB1S811010000K AIR CONDITIONING SYSTEM (CAB) -1

No.	Part No.	Description	Version	QTY.	Remark
	TB1S811010000K	AIR CONDITION ASSEMBLY-CAB	002	1	
1	GBT5789-M8X25-8. 8-A2L	HEX FLANGE BOLTS		4	
2	Q67405200	PLASTIC FASTENING STRIP		3	
3	TB1S812010011K	HEATER WATER VALVE		1	
4	TS06811010062	EVAPORATOR ASSEMBLY		1	
5	GBT5789-M8X16-8. 8-A2L	HEX FLANGE BOLTS		2	
6	TS06811010007	LOCKING CLAMP		6	
7	GBT5789-M8X12-8. 8-A2L	HEX FLANGE BOLTS		4	
8	TS06811010013	PROTECTINGRING		4	
9	3203505D9-L	CABLE TIE		2	
10	TS06811010001	CONTROL PANEL		1	
11	GBT97. 1-5-A3L	FLAT WASHERS		4	
12	GBT93-5-A3L	STANDARD SPRING WASHER		4	
13	GBT818-M5X20-4. 8-A2L	CROSS RECESSED PAN HEAD SCREWS		4	
14	TE3S810010004K	JOINT		1	
15	Q67522	A TYPE WORM DRIVE TYPE HOSE HOOP		5	
16	GBT6177. 1-M6-8-A2L	HEXAGON FLANGE NUT		4	
17	TS06811010063	WIND PIPE		2	
18	TB1S811010005K	COMBINATION PIPELINE		1	
19	TB1S811010001K	COMPRESSOR-EVAPORATOR HOSE		1	
20	TC02811020002	WATER INLET HOSE OF WARM AIR		1	
21	TS08812020006	EVAPORATOR OUTLET PIPE		1	

TB1S811010000K AIR CONDITIONING SYSTEM (CAB) -1 (cont'd.)

No.	Part No.	Description	Version	QTY.	Remark
22	TE3S810010003K	SHORT PIPE		1	
23	TE3S810010002K	RUBBER HOSE		1	

TB1S811010000K AIR CONDITIONING SYSTEM (CAB) -2



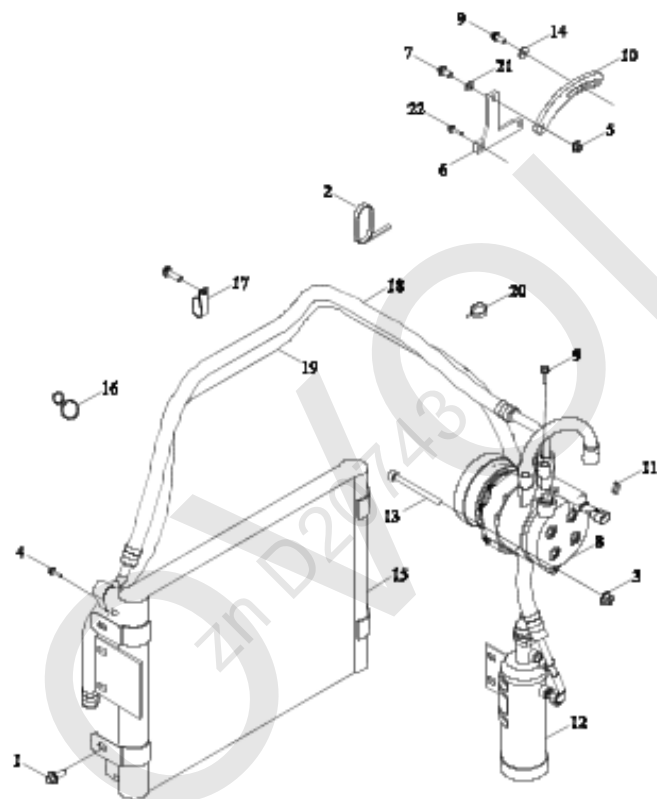
TB1S811010000K AIR CONDITIONING SYSTEM (CAB) -2

No.	Part No.	Description	Version	QTY.	Remark
	TB1S811010000K	AIR CONDITION ASSEMBLY-CAB		1	
	TS06811010062	EVAPORATOR ASSEMBLY		1	
1	TS06811010022	BONNET UP COVER PLATE		1	
2	TS06811010014	EVAPORATOR		1	
3	TS06811010015	HEATER CORE		1	
4	TS06811010018	EXPANSION VALVE		1	
5	TS06811010017	SERVO MOTOR		1	
6	TS06811010019	WATER OUTLET		1	
7	TS06811010020	WATER INNER		1	
8	TS06811010021	PIPE JOINT		1	
9	TS06811010023	EVAPORATOR HOUSING		1	
10	TS06811010024	RESISTANCE REGULATOR		1	
11	TS06811010025	DRAUGHT FAN MOTOR		1	
12	TS06811010027	LEFT FIXING PLATE		1	
13	TS06811010028	FIXED PLATE		1	
14	TS06811010029	LEFT FIXING PLATE		1	
15	TS06811010030	RIGHT FIXED PLATE		1	
16	TS06811010031	EVAPORATOR CORE		1	
17	TS06811010032	MOUNTING ROD		1	
18	TS06811010026	FAN		1	
19	TS06811010060	SEAL STRIP		1	

LOWVOL
zn D20743

TB1S812010000K AIR CONDITIONING SYSTEM (ENGINE)

LOWVOL
zn D20743



TB1S812010000K AIR CONDITIONING SYSTEM (ENGINE)

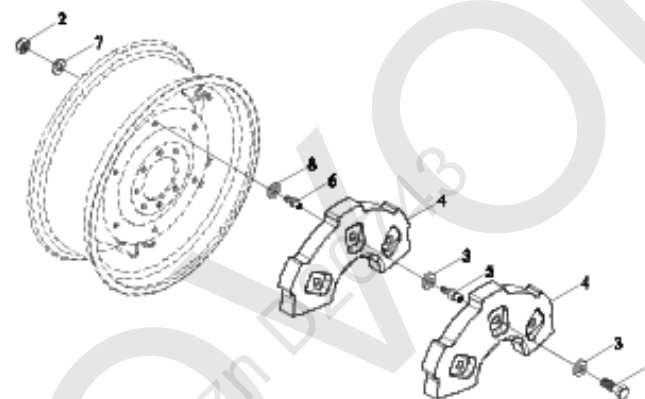
No.	Part No.	Description	Version	QTY.	Remark
	TB1S812010000K	AIR CONDITION ASSEMBLY-ENGINE	002	1	
1	GBT5789-M8X20-8.8-A2L	HEX FLANGE BOLTS		6	
2	Q67405200	PLASTIC FASTENING STRIP		1	
3	GBT889.1-M8-8	HEXAGON LOCK NUTS WITH NON-METALLIC INSERT TYPE 1		1	
4	GBT5789-M6X25-8.8-A2L	HEX FLANGE BOLTS		3	
5	GBT6177.1-M10-10-A3L	HEXAGON FLANGE NUT		1	
6	TB3S812010003K	SUPPORT		1	
7	GBT5789-M10X35-10.9-A3L	HEX FLANGE BOLTS		1	
8	TB3S811010001K	COMPRESSOR		1	
9	GBT5789-M8X25-8.8-A2L	HEX FLANGE BOLTS		3	
10	TD800.812H.4	PLATE		1	
11	TB3S811010002K	COMPRESSOR BELT		1	
12	TS04812010003	LIQUID TANK		1	
13	GBT70.1-M8X100-8.8-A2L	HEXAGON SOCKET HEAD CAP SCREW		1	
14	GBT96.1-8-A3L	LARGE WASHER		1	
15	TB3S812010016	CONDENSER ASSEMBLY		1	
16	TG3S488010002	TIE		1	
17	GL07911011010	FIXED PIPE CLAMP		1	
18	TB1S812010001K	COLD-STORAGE COMBINED PIPELINE		1	
19	TB3S812010015	COMPRESSOR-COOLER HOSE		1	
20	3203505D9-L	CABLE TIE		2	

TB1S812010000K AIR CONDITIONING SYSTEM (ENGINE) (cont'd.)

No.	Part No.	Description	Version	QTY.	Remark
21	GBT97.1-10-A3L	FLAT WASHERS		2	
22	GBT5789-M10X20-10.9-A3L	HEX FLANGE BOLTS		2	

TB3S950010000K REAR BALLAST ASSEMBLY

LOWVOLT
zn D20743



TB3S950010000K REAR BALLAST ASSEMBLY

No.	Part No.	Description	Version	QTY.	Remark
	TB3S950010000K	REAR BALLAST ASSEMBLY	001	1	
1	GBT5783-M16X40-8.8-A3L	HEX HEAD BOLTS		6	
2	GBT6170-M16-8-A3L	TYPE 1 HEX NUT		6	
3	FT650.34.104	WASHER		18	
4	TB3S950010001K	REAR BALLAST		6	
5	FT650.34.103	REAR BALLAST SCREW 2		12	
6	FT650.34.102	REAR BALLAST SCREW 1		6	
7	GBT97.1-16-A3L	FLAT WASHERS		6	
8	GBT97.1-20-A3L	FLAT WASHERS		6	